

# Additional installation instruction

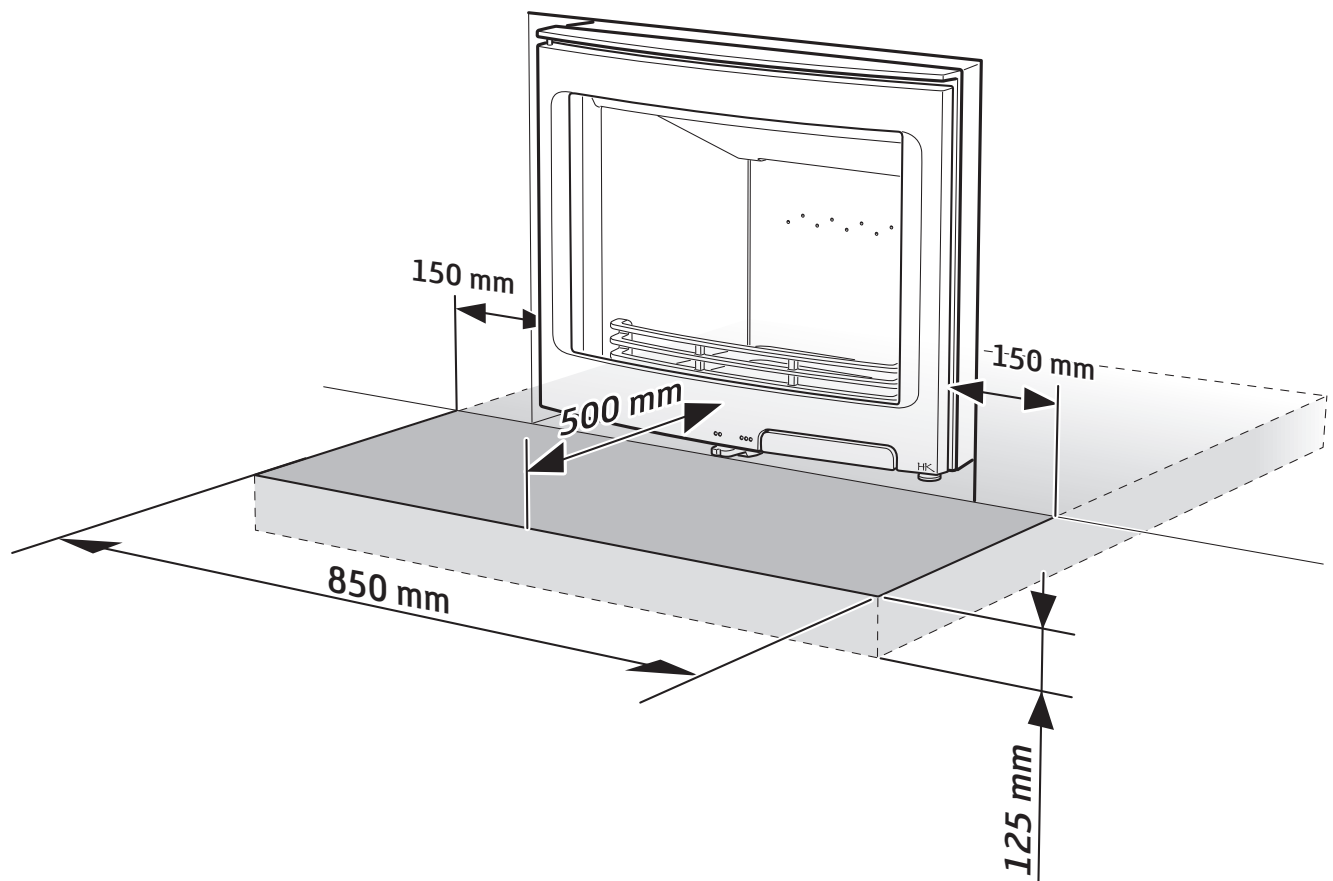
**Contura** www.contura.eu

811188 Kompletterande IAV Ci5 GB - 6  
2018-11-26

When installing Ci5 and Ci6 in UK

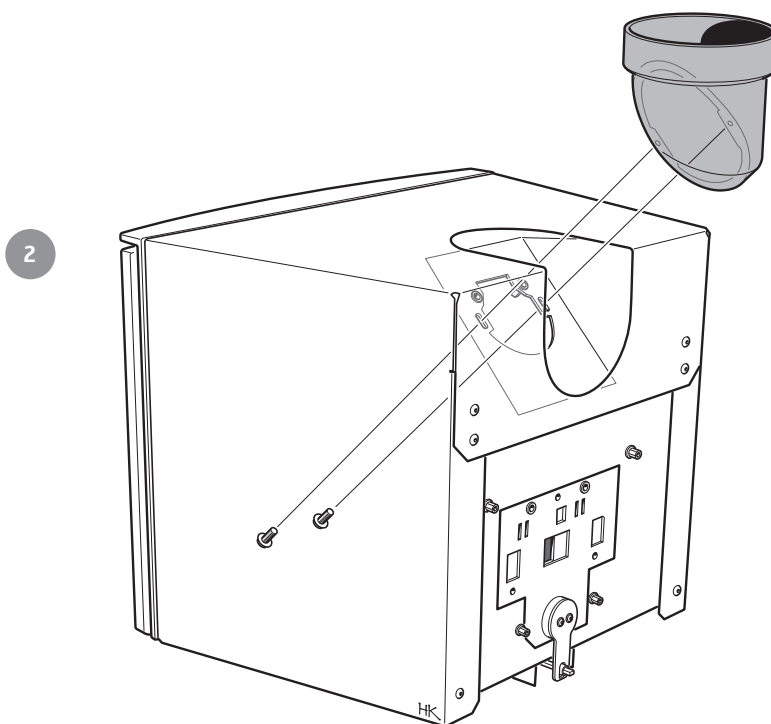
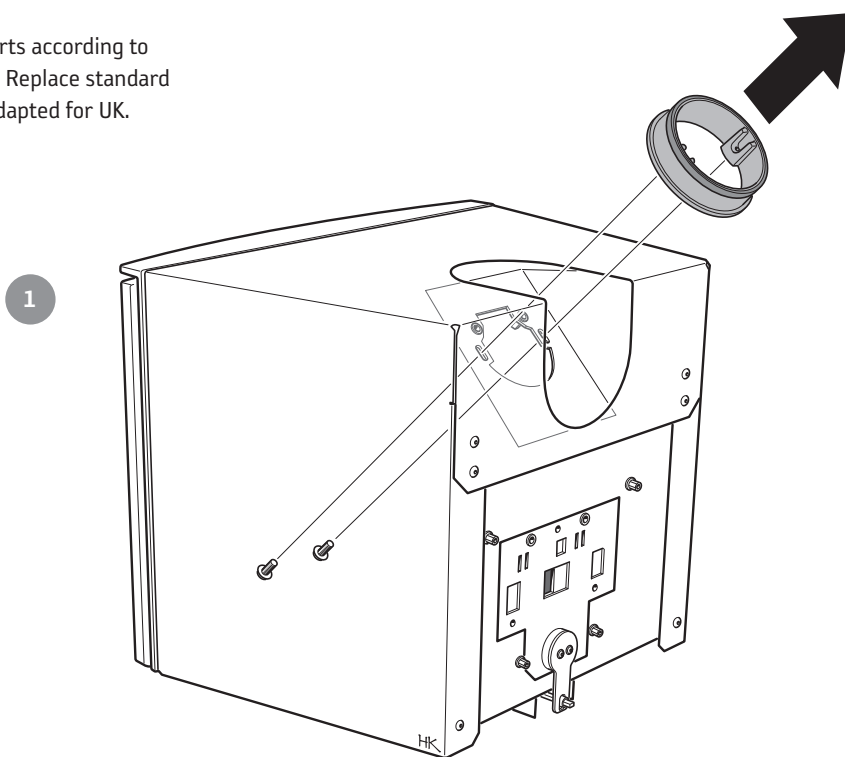
## Hearth dimensions

The appliance must stand on a constructional hearth which meet the building regulations and has minimum dimension in front of the appliance as shown in the diagram beside. Always check that the building has enough bearing capacity for the hearth, stove and chimney. The stove can be loaded with maximum 100 kg of chimney.



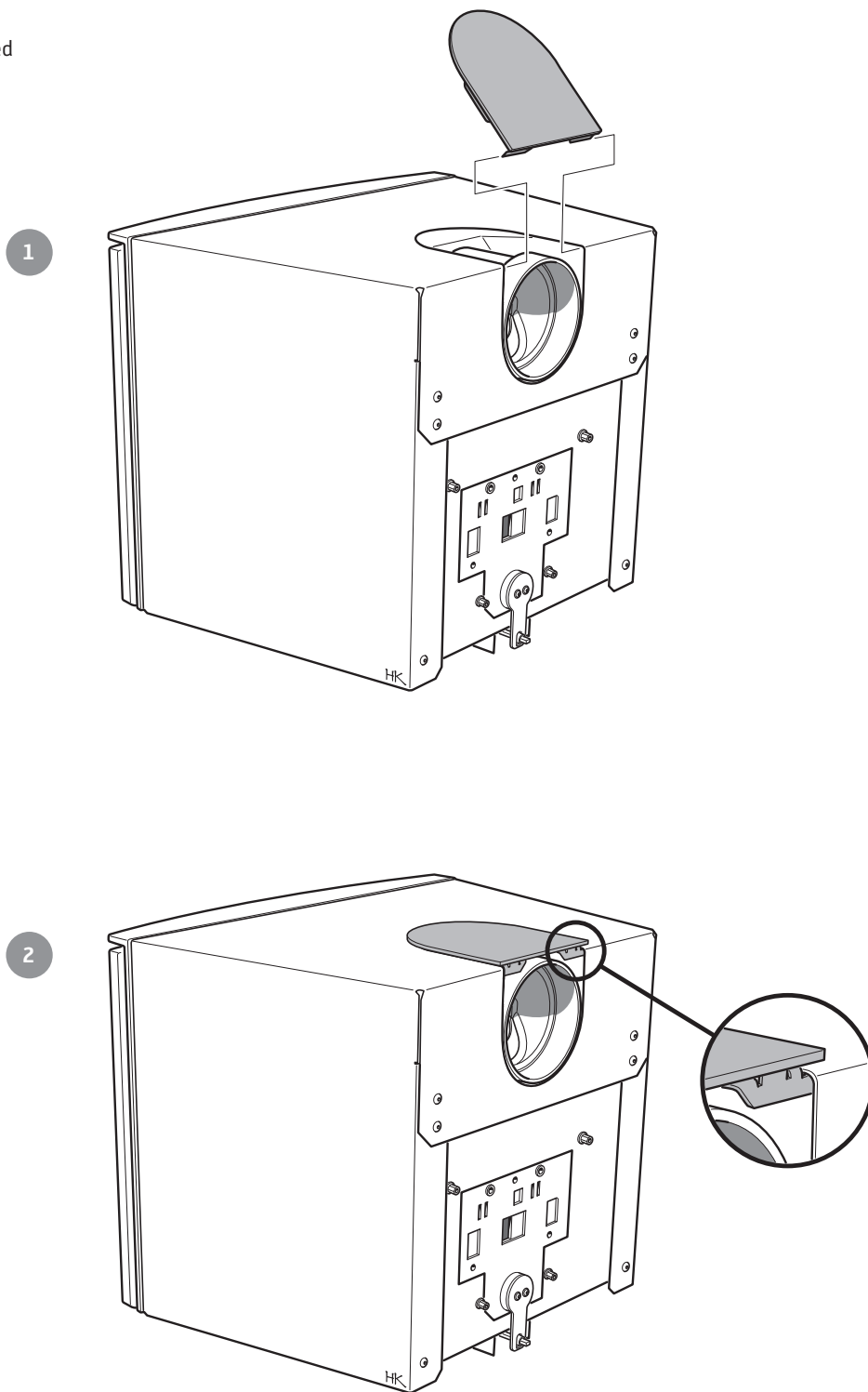
## Flue collar

Remove the internal parts according to installation instruction. Replace standard flue collar with collar adapted for UK.



**Ci5 only**

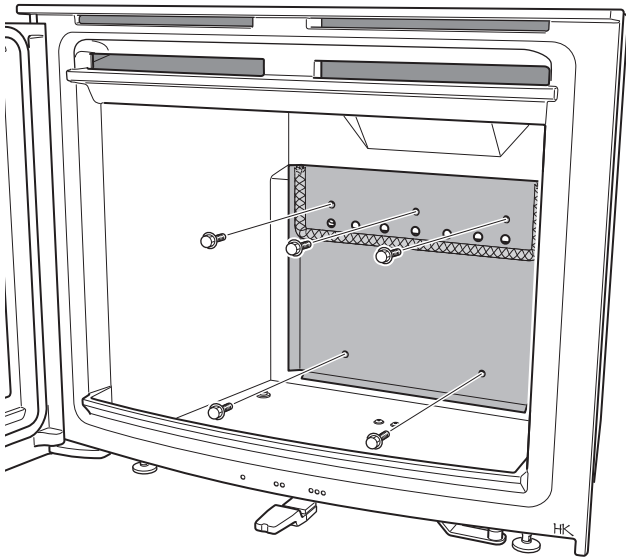
If the insert is connected backwards the lid can be used to cover the hole on the top.



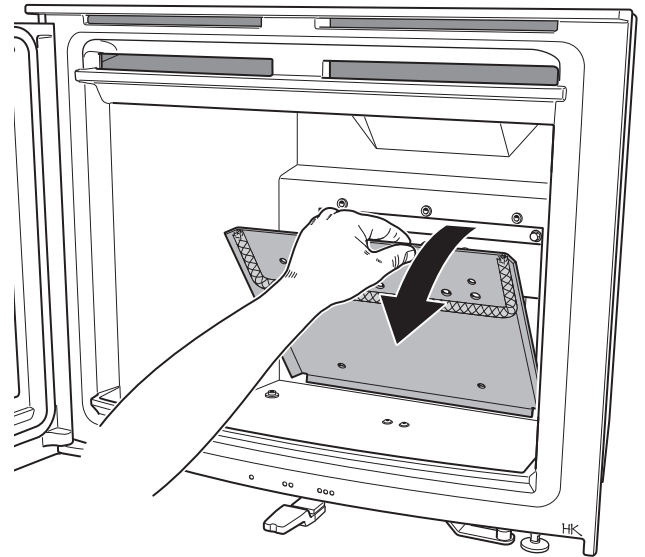
## Smoke control area

In smoke control areas it is mandatory to stop the damper from closing completely. In other areas it's optional.

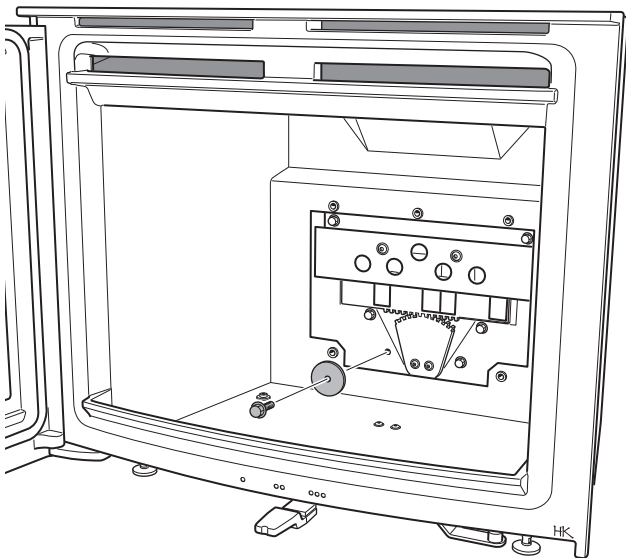
1



2



3



4

