

# Installation instruction



C 690

# *Contura*

## EC Declaration of conformity

# Contura

### MANUFACTURER

Name NIBE AB/Contura  
Address Box 134, Skulptörvägen 10, SE-285 23 Markaryd  
Place of manufacture Markaryd, Sweden

### PRODUCT

Product type Stove fired by solid fuel  
Type designation Contura  
Standard EN 13240 annex ZA  
Intended for use Heating of living accommodation  
Fuels Wood logs  
Special conditions None

CE-MARKING **690**  
Issued 2003  
Nominal output 6 kW  
Fuel type Wood logs  
Flue gas temperature 260° C  
Energy efficiency 79%  
Emission of CO 0,06%

### Appendix

Lighting and installation instructions



Niklas Gunnarsson  
Business area manager NIBE STOVES



### Quality approval

The stove has been tested by SP, the Swedish National Testing and Research Institute and meets the applicable regulations for CE marking and the stricter requirements for P marking. Manufacture of the product has taken place in accordance with those documents which are the basis for the relevant type approval certification and the required manufacturing checks. The chimney must be dimensioned for at least 350° C for both top connection directly upwards and connection directly backwards from the rear of the stove.



### Contura 690 is a Swan marked stove.

NIBE was the first stove manufacturer in Sweden to commit to Swan marking their stoves. The Swan mark is one aspect of our vision to be a company of the future, setting high quality standards regarding the environment. Certification number 378-001.

A warm welcome to Contura.

A warm welcome to the Contura family. We hope you will get a great deal of pleasure from your new stove.

As a new owner of a Contura stove you have secured a product with timeless design and long service life.

The Contura is not only an efficient source of heat, but it is environmentally friendly as well.

Read through these installation instructions carefully before installation. Read how to best light your stove in the lighting instructions.

### Table of contents

Technical details	28
Unpacking	29
Connection to chimney	30
Supply of combustion air	31
Installation distances	32
Positioning the base plate	33
Making holes in ceilings	33
Installing the protective screen	33
Installing the lighting cable	34
Installing legs and feet	34
Positioning the stove body	34
Installing the back plate	35
Installing concrete surround and top connection	37
Installing oven (option)	46
Installing convection fascia (option)	46

#### **NOTE!**

##### **Report the installation of a stove to your local authority.**

The building owner is personally responsible for ensuring compliance with the mandatory safety requirements and must have the installation approved by a qualified inspector. Your local chimney sweep must also be informed about the installation as this will affect the routines for regular chimney-sweeping services.

#### **WARNING!**

##### **The stove becomes very hot**

During operation, certain surfaces of the stove become very hot and can cause burn injury if touched. Be aware of the strong heat radiated through the hatch glass. Placing flammable material closer than the safe distance indicated may cause a fire. Pyre lighting can cause quick gas ignition with the risk of damage to property and personal injury.

## Technical details

Output	3-9kW
Nominal output	6kW (approx 1,5 kg/hour)
Efficiency	up to 80%

<b>Model</b>	<b>690</b>
Height (mm)	2100
Height (mm)	780
Depth (mm)	630
Weight marble hearth plate (kg)	23
Connector ext. (mm)	Ø150

### Type approved in accordance with:

European standard EN-13240 class 1  
 Swedish environmental and quality marking,  
 P-marking cert. no. 22 03 06  
 Swedish type approved, cert.no. 0388/01

## Important to remember!

### Installation by authorised technician

This manual contains instructions about how the stoves must be assembled and installed. To ensure the function and safety of the stove, we recommend that the installation is carried out by an authorised technician. Contact one of our dealers who can recommend suitable technicians.

### Building application

These main instructions may give guidance which would contravene national building regulations. Please refer to supplementary instructions or ask your local authority for advice regarding building regulations. Before installing a stove or erecting a chimney it is necessary for you to make a building application permission to your local authority.

### Structural support

Check that the wood joists are strong enough to bear the weight of the stove and chimney. The stove and chimney can usually be placed on a normal wooden joist in a single occupancy house if the total weight does not exceed 400 kg.

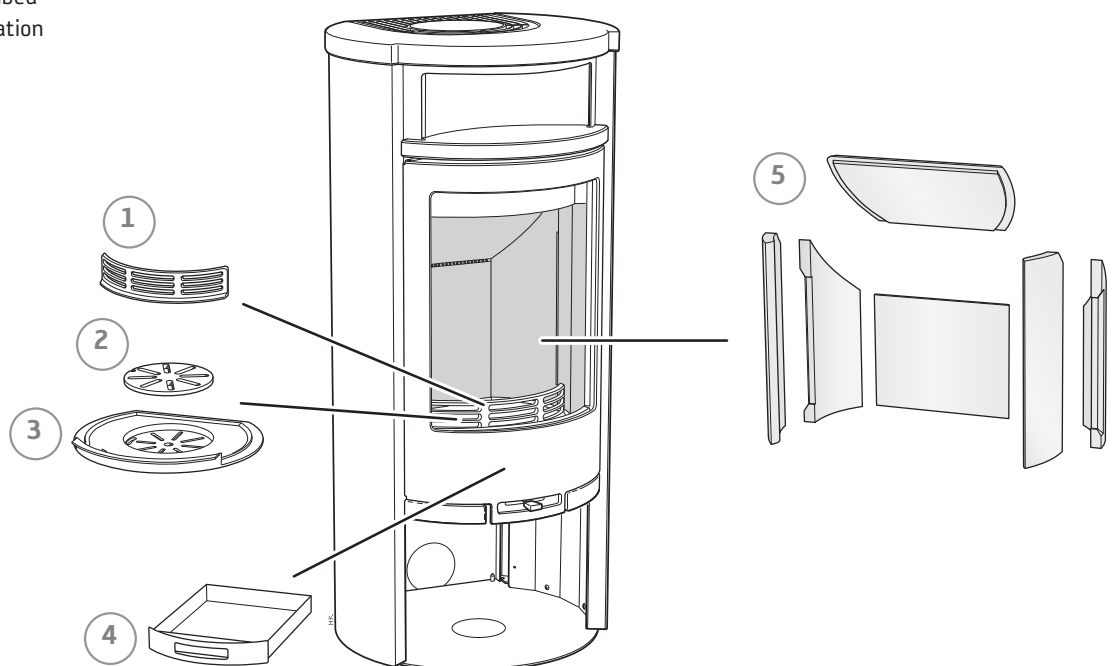
### Hearth plate

Due to the risk of falling embers, a flammable floor must be protected by a hearth plate. It must extend 300 mm in front of the stove and 100 mm on each side of the stove, or have a 200 mm extension on each side of the opening. The hearth plate can consist of natural stone, concrete, metal plate or glass. A painted metal or glass hearth plate is available as an accessory for these models.

## Prior to installation


If the insert needs to be put down to be moved or if the pillar foot is to be installed, remove any loose components. This is described at the end of these installation instructions.

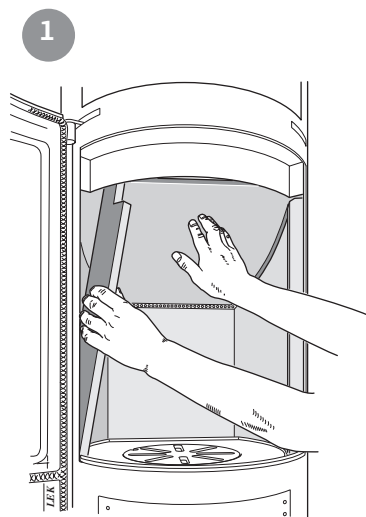
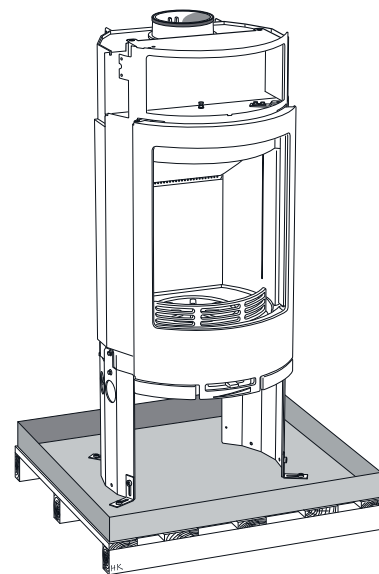
- 1 Fire bars
- 2 Grate disc
- 3 Cast-iron fire-bed
- 4 Ash-pan
- 5 Fire-box surround (Vermiculite)



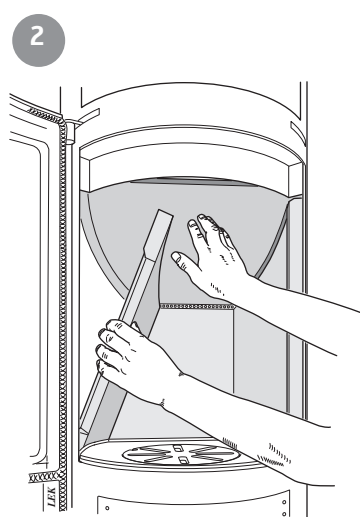
# Unpacking

Leave the stove body screwed in place on the pallet. Supplied components must be placed to one side. Dismantle all the loose components from the stove body (fire-bars, fire-box surround, grate disc, cast-iron fire-bed and ash-pan). Then remove the stove body from the pallet.

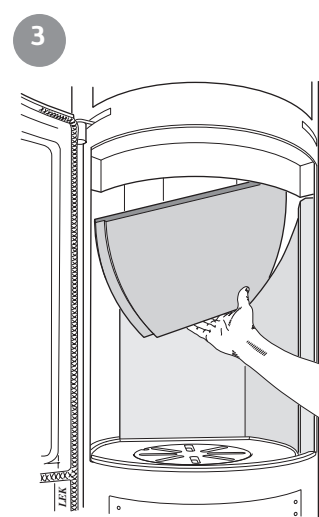
 The stove body may tip forwards before the base plate has been installed. Therefore, do not remove the stove body from the pallet until the other loose components have been removed.



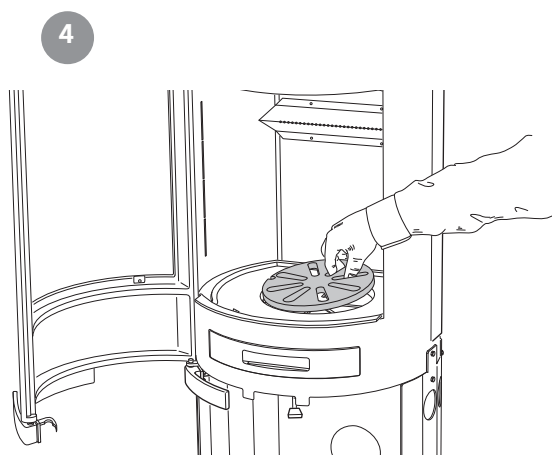
1 Lift up the smoke baffle and remove the front of the side section. If necessary, move the cast-iron firebed.



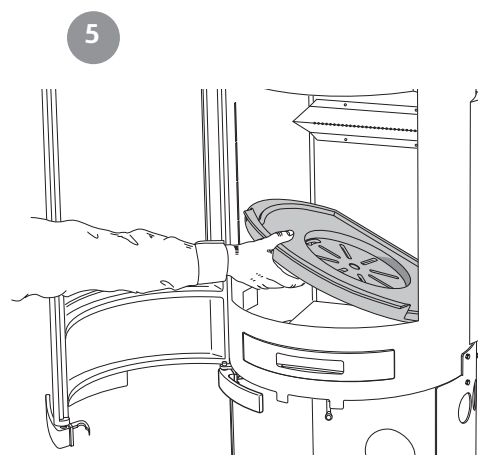
2 Continue by removing the rear of the side section in the same way.



3 Lift the smoke baffle out and remove the remaining sections.



4 The grate disk is lifted by the edge from the lock lug.



5 Lift up the fire-bed and hold it at an angle to remove it through the open stove door. Remove the ash-pan and lid. Leave all these components uninstalled until the base has been fitted and the stove is standing in place. Then replace the components in reverse order.

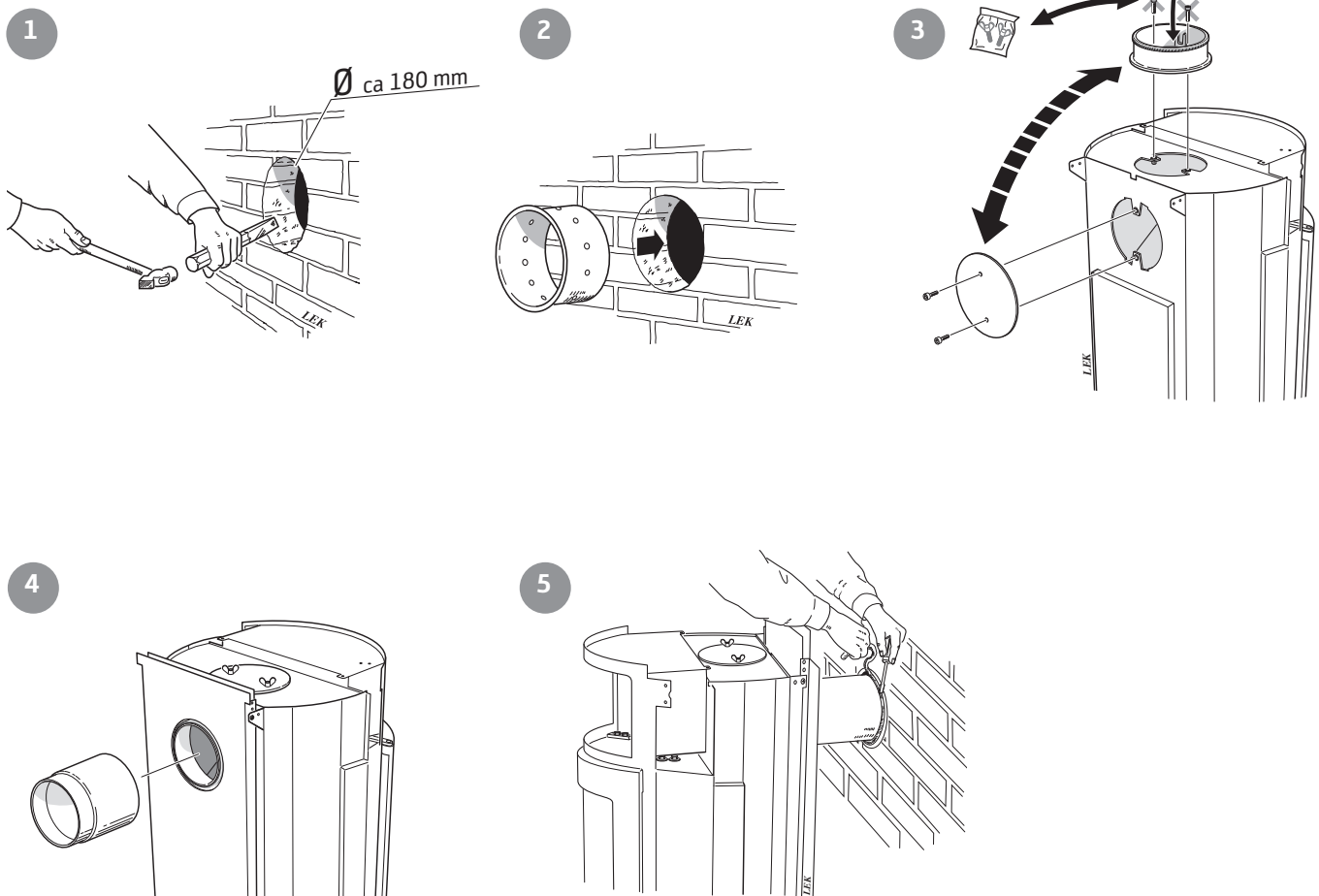
## Connection to chimney

- The stove meets the requirements for connecting to chimneys dimensioned for 350°C flue gas temperature.
- The external diameter of the connection sleeve is 150 mm.
- The stove requires a draft in the chimney of at least -12 Pa. The draft is affected both by the length and area of the chimney, and by how well sealed it is. Minimum recommended chimney length is 3.5 m and suitable cross section area is 150-200 cm<sup>2</sup> (140-160 mm in diameter).
- A flue with sharp bends and horizontal routing reduces the draught in the chimney. Maximum horizontal flue is 1 m, on the condition that the vertical flue length is at least 5 m.
- It must be possible to sweep the full length of the flue and the soot hatches must be easily accessible.
- Carefully check that the chimney is sealed and that there is no leakage around soot hatches and flue connections.

### Rear connection to a masonry chimney

The back panel must be installed before the stove is rear connected. Refer to the chimney's installation instructions to install the chimney. The following describes how the chimney system is connected to the stove.

In the bag with these installation instructions are two wing screws for the cover.



Make sure that the connector gasket does not work loose when the connection pipe is placed on the connector. If further sealing material is required, heat-resistant sealant may be used.

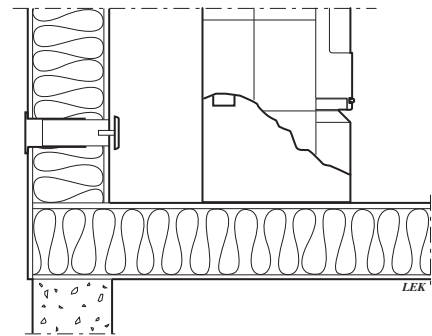
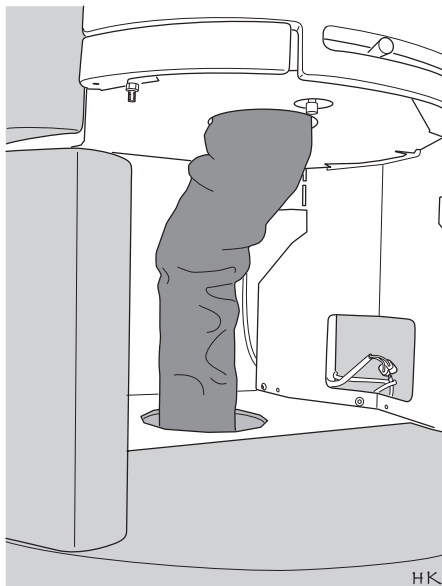
# Supply of combustion air

Combustion air can be provided directly via a duct from outside, or indirectly via a vent in the outer wall of the room where the stove is to be placed.

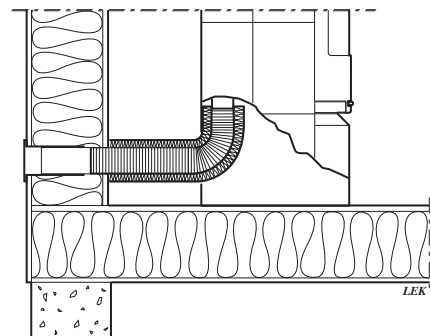
Some installation alternatives are shown to the right.

Before fitting an air supply duct to the air inlet, the heat reflector under the stove body must be removed.

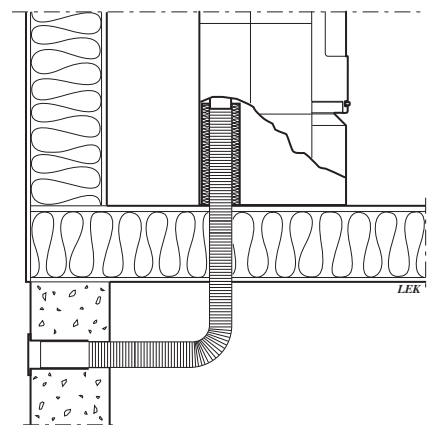
The air duct connection on the stove has an external diameter of  $\varnothing 64$  mm. The base plate has a punched hole to lead in the air supply hose. The hole is offset in relation to the air inlet to give more space for the niche in the base. This means that the supply air hose must be bent backwards slightly, close to the bottom of the stove before it can be lead down through the hole in the base plate.



Indirect air supply through the external wall.



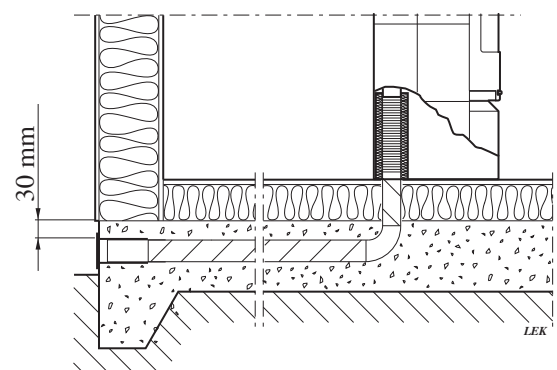
Through the external wall.



Through floor and wall-and-cavity foundation.



**Important!** In hot areas, the duct should be insulated with 30 mm mineral wool covered with a moisture inhibitor (plastic). It is important that the lead-in between the pipe and the wall (or floor) is sealed using jointing compound. When duct routing for further than 1 m the pipe diameter must be increased to 100 mm and a correspondingly larger wall vent must be selected. A 1 m length of condensation insulated ducting for combustion air is available as an accessory.



Through floor and foundation slab.

# Installation distances

## C 690

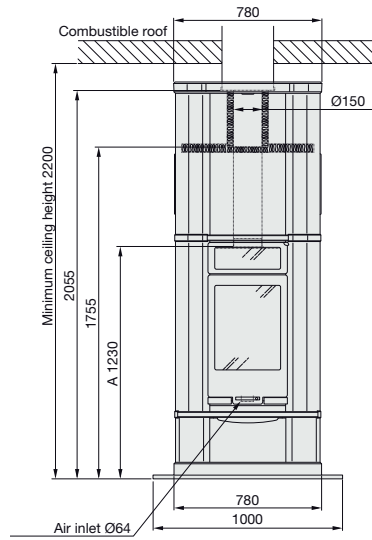
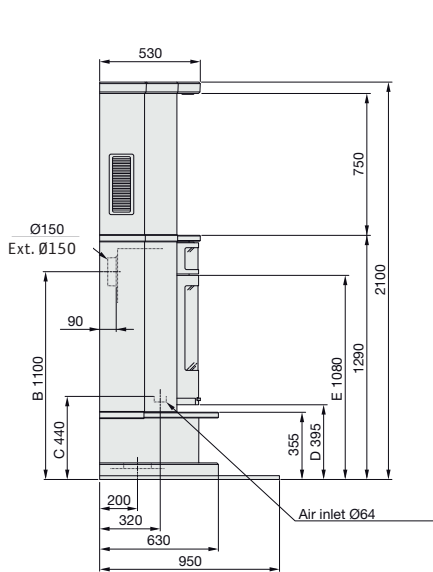
When installing the base plate (see page 28) check that the installation distances given in the figures below are not fallen below. When top connecting a steel flue please refer to the relevant manufacturer's installation instructions.

The start pipe must be uninsulated up to and including the seal at a height of 1755 mm from the floor. From the seal upwards, 30 mm thick mineral wool insulation must be placed around the start pipe up to

approx 2055 mm above the floor, where the fully insulated chimney takes effect. Insulation for the pipe is supplied when the Premodul chimney system is ordered.

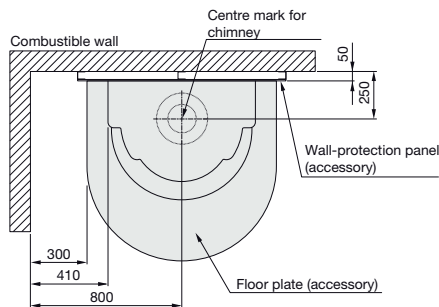
Observe the safety distances to combustible material that steel flues require.

The minimum distance to combustible parts of the building or interior decoration must be at least 1 m.

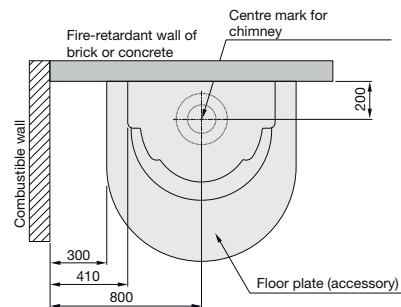


A = height from floor to chimney connection  
 B = height from floor to c/c smoke outlet rear  
 C = height from floor to supply air opening  
 D = height from floor to lower edge of hatch  
 E = height from floor to upper edge of hatch  
 All measurements are given in millimetres.

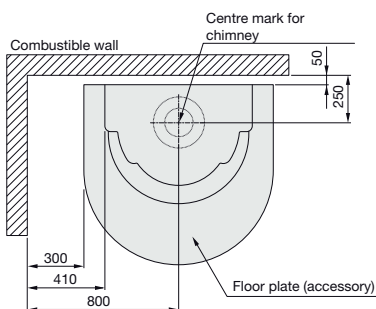
Against flammable walls with protective screen



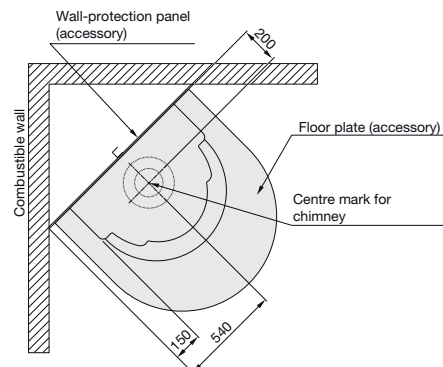
Against non-flammable walls



Against flammable walls



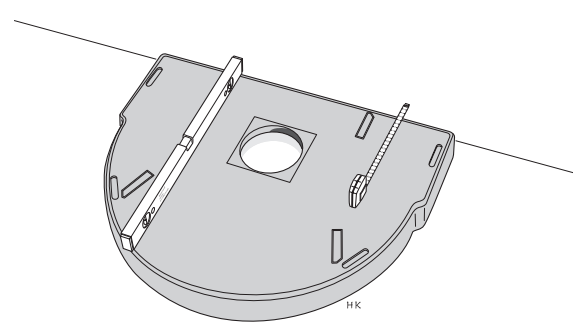
When positioning in corners





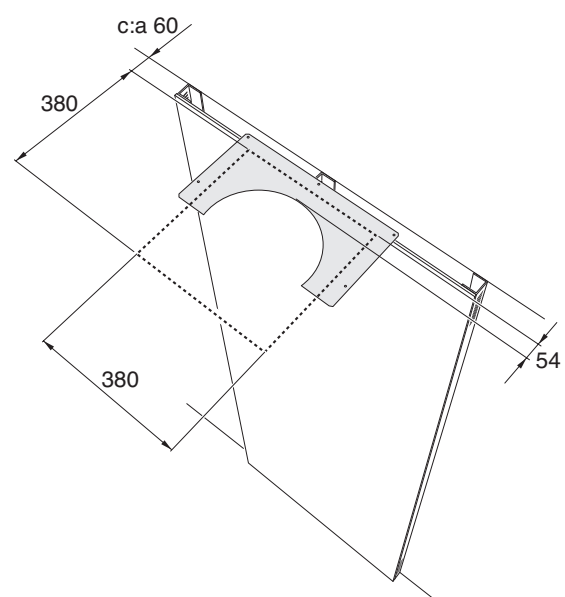
## Positioning the base plate

Position the base plate the correct distance from the wall as specified on page 25. The centre of the hole in the base plate is inline with the centre of the chimney. When installing against non-flammable walls or protective screens, position the base plate against the wall. Read the section "Making holes in the ceiling" and "Installing the protective screen" below. Draw on the floor around the base plate so that it stays in place throughout the whole job. Carefully check that the base plate is horizontal and that the wall is vertical so that the stove masonry follows the wall.



## Making holes in ceilings

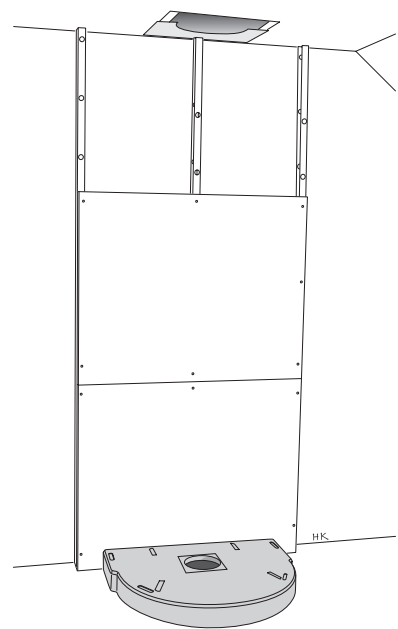
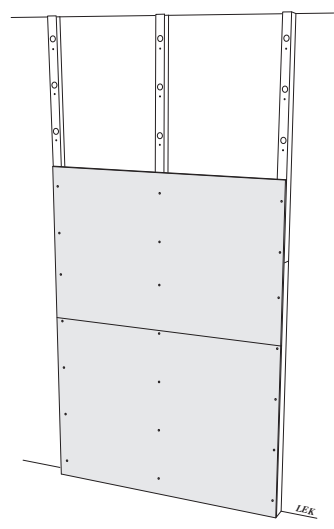
For stoves with a top flue connection to a steel chimney, a 380x380 mm hole must be made in the ceiling. Make sure that the centre of the hole is directly above the centre of the hole in the base plate. Refer to the chimney's installation instructions to install the chimney. Only the rear section of the ceiling seal should be installed at this stage. It is important that the seal for the ceiling is centred over the hole in the ceiling. The image shows the ceiling seal belonging to the Premodul chimney system together with a protective screen (accessory).



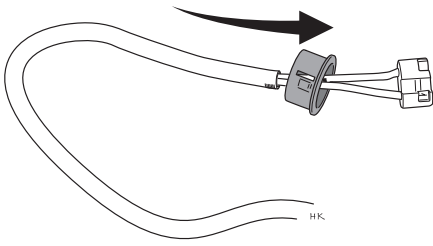
## Installing the protective screen

Screw the external steel profiles into place at the required distance. A good aiming point is 1 meter, which is the width of the hearth plate (accessory). Take care to install the protective screen vertically. The vent holes should be positioned at the ceiling and floor. The height of the two profiles is 2500 mm. If the ceiling height is lower, the profiles can be cut to the required height using a hacksaw or cutting nippers. The stamp corresponds to 100 mm, see the figure.

Place the two remaining profiles so that they are between the outer profiles. Cut the minerit boards to the desired width. Position the minerit boards edge to edge with a bead of acrylic sealant in the gap and screw them into place with the supplied screws. Do not install the upper board until the rear section of the headlining seal has been installed.

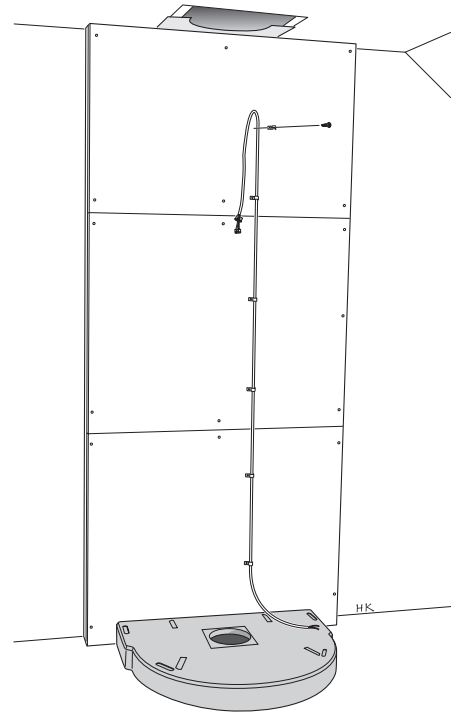


## Installing the lighting cable



Thread on the black grommet bushing onto the cable.

Measure out the centre of the wall behind the masonry chimney. Draw a line 150 mm to the left or the right of the centre. The heat resistant lighting cable will be positioned along this line. The upper clamp is screwed into place 2050 mm above the floor and the remainder are evenly distributed down to the base plate. The cable end and socket must be 650 mm long above the upper clamp.

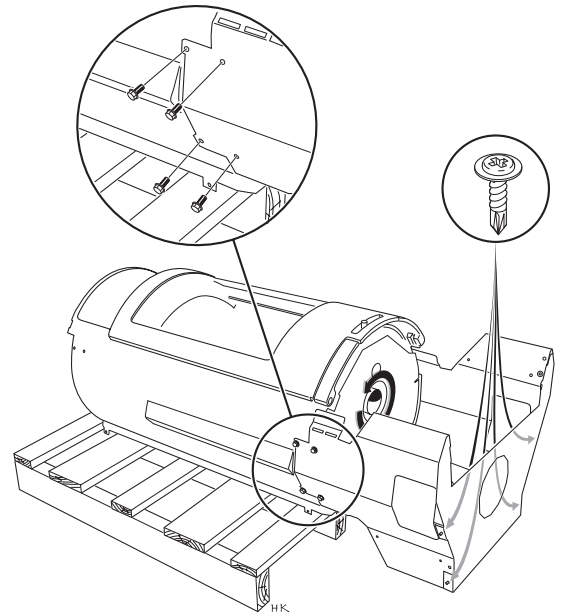


## Installing legs and feet

**!** The heat reflecting plate must be fitted underneath the body of the stove if the area below is to be used as a log-box. The heat reflector can be removed by turning it to the left until it slides free from the lower set of screws holding the legs in place. The heat reflector is hooked back in place on the screws by turning it to the right.

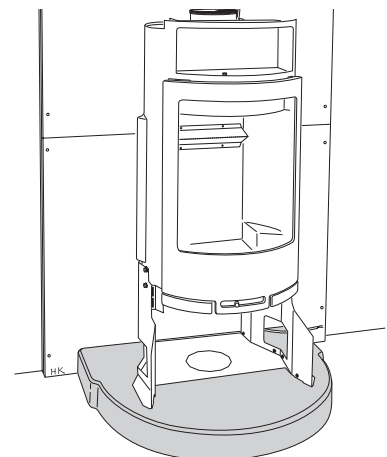
Lay the stove body on its back on the pallet. Unscrew the eight screws holding the legs and replace the existing legs with the wider, higher legs supplied. Hand tighten the screws. Install the foot plate with the six white screws.

**!** Screw from the inside of the legs into the foot plate mounting lugs. Tighten the screws securing the legs in the stove body when the stove has been raised and is standing on a flat surface.

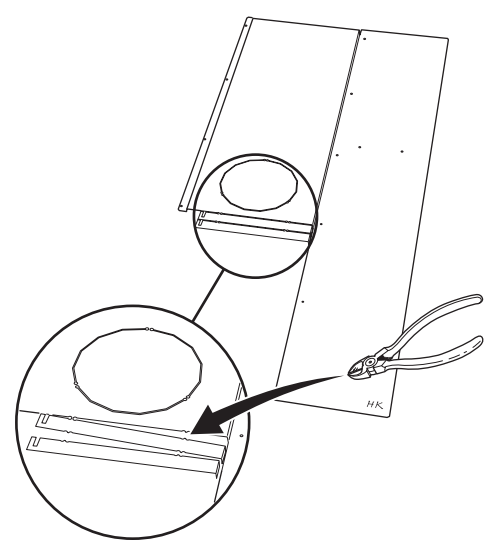


## Positioning the stove body

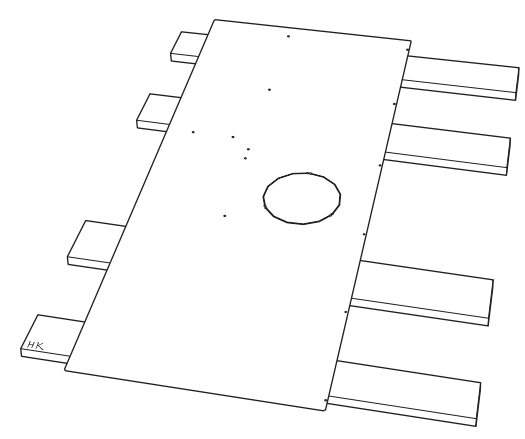
Position the stove body on the base plate with the rear edge of the foot 25 mm from the rear edge of the base plate. Make sure that the foot is centred and straight. Also check that the base plate has not moved and that it is horizontal. When everything has been checked, mark the base plate around the edge of the foot.



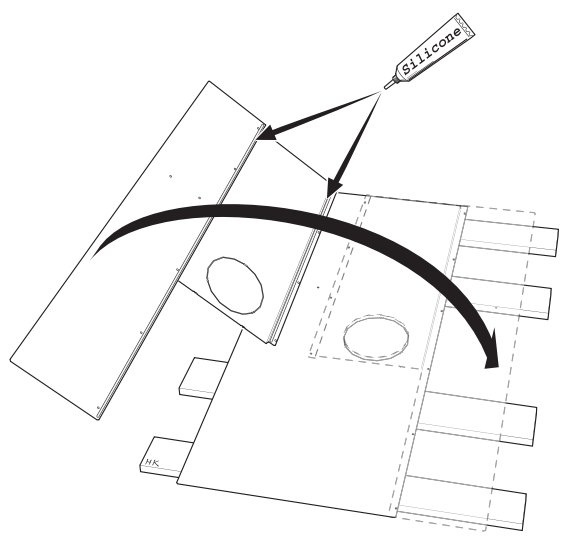
# Installing the back plate



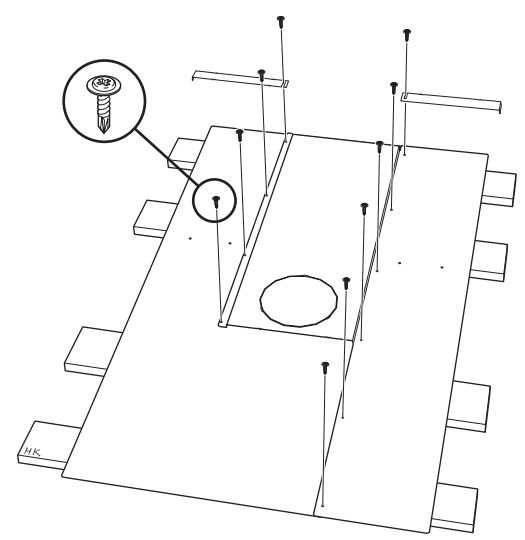
Break off the mounting fixtures from the lower edge of the right-hand section of the back plate.



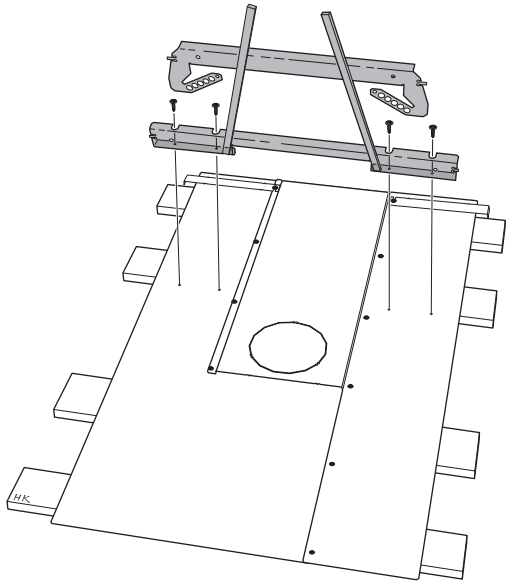
Lay the flat left-hand section of the back plate on the floor. Installation is simplified if the back plate is mounted on some boards or polystyrene strips. Position the left-hand section so the row of holes along the edge faces to the right and the two holes to the left are above the centre.



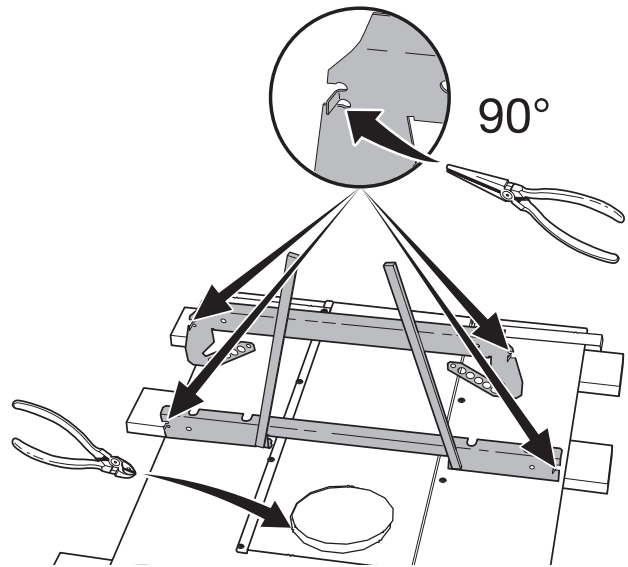
Apply two beads of silicone inside the screw holes on the reverse of the right-hand side of the back plate.



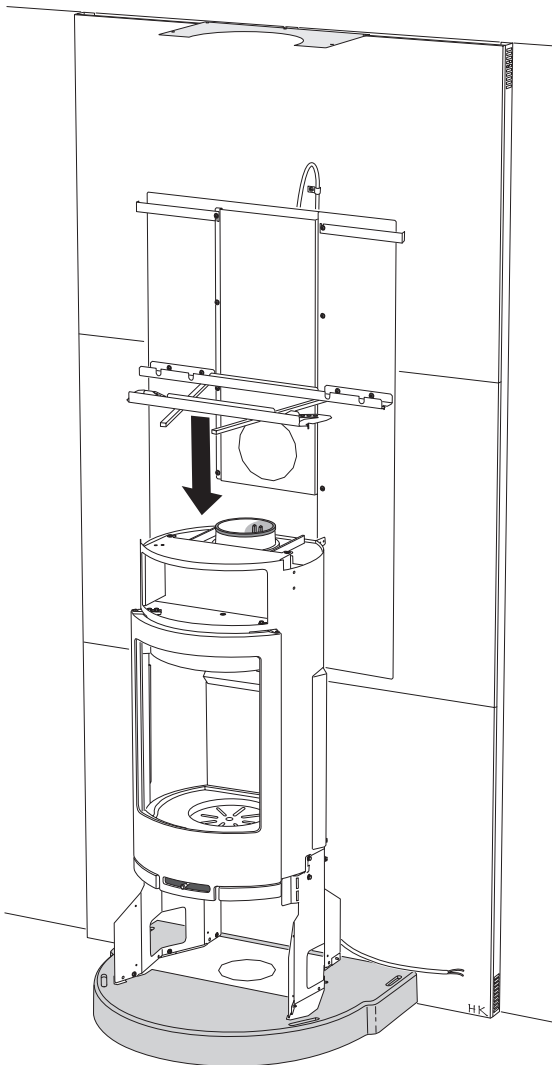
Screw the right-hand section into place on the left-hand section of the back plate. The mounting fixtures are secured by the upper screws. The mounting fixtures are used to secure the concrete plate at a later stage of the construction.



Screw the top frame into place on the back plate.



Bend the lugs on the top frame down 90° using pliers. If the stove is rear connected the partly punched hole is cut from the back plate.

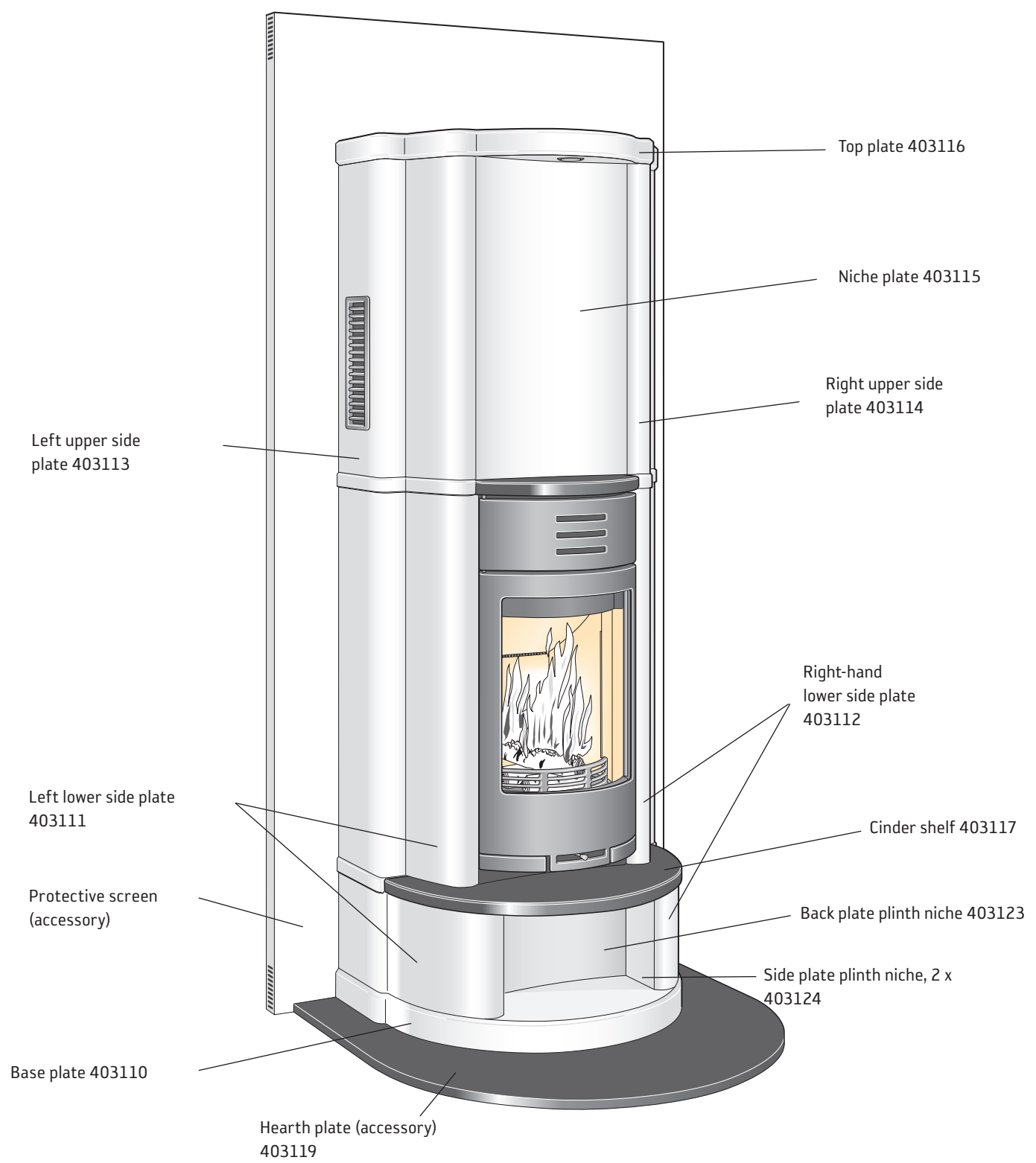


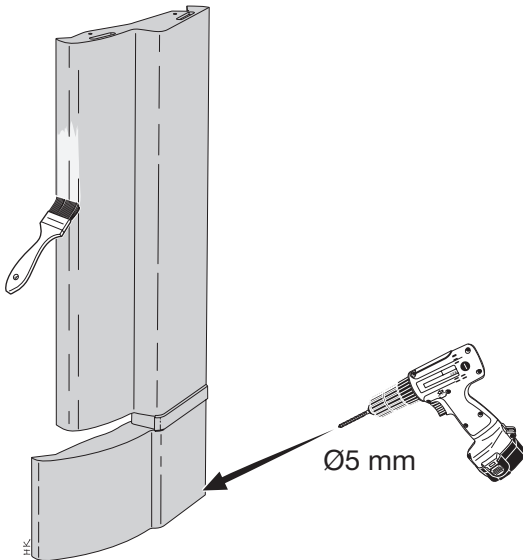
Hang the back plate with the top frame on the stove body.

# Installing concrete surround and top connection

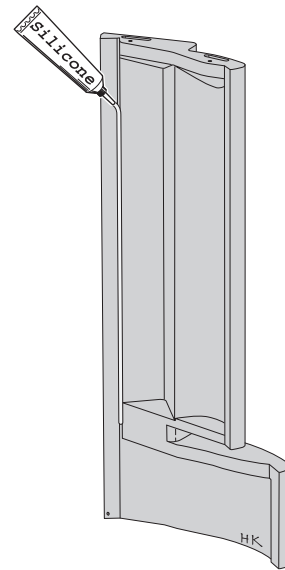
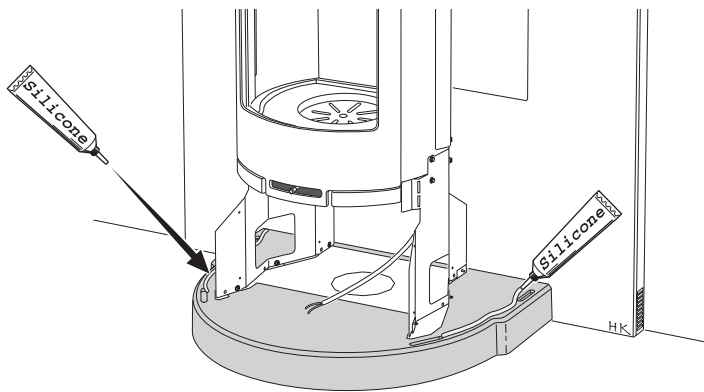
Check that there are no hairline cracks in the concrete plate before starting installation.  
During heating the metal sheet in the hearth plate expands. It is important that the concrete surround is not in contact with the hearth plate. Check that there is at least 2-3 mm distance between the hearth plate and the concrete surround.  
When installing the surround, the supplied silicone is used to bond the concrete plates and the marble sheets and as a seal between

the back plate and the concrete. The space between the stove and the protective screen behind it shall be filled with the acrylic filler which can be painted.  
The supplied fixer can be mixed with paint to give texture to the painted surfaces. The fixer can also be used to touch up damage or unevenness in the concrete plates. One part water mixed with two parts fixer.

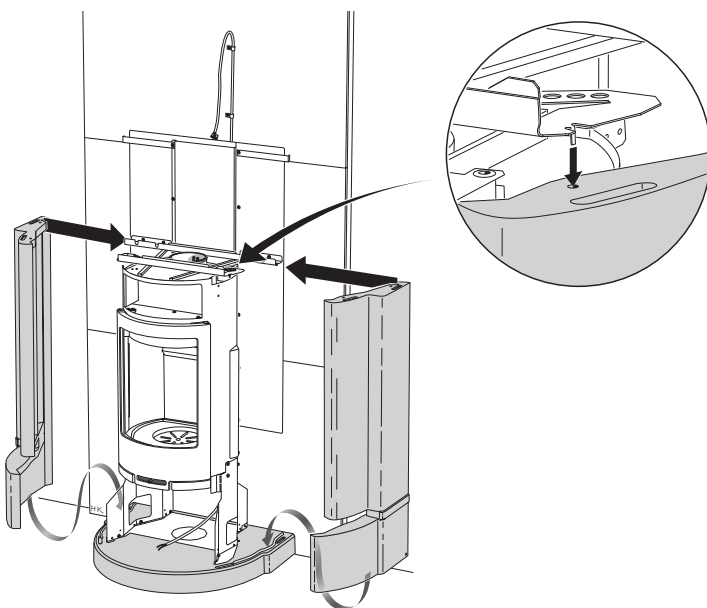




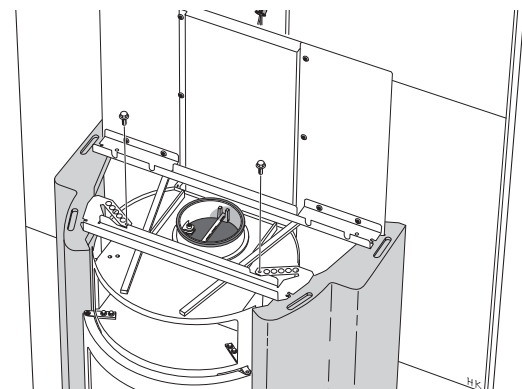
Because of the restricted space it is easier to paint the front edge of the side plate before installation. Drill a  $\text{\O}5$  mm hole at the bottom in a corner of one of the side plates. The hole is for the grommet for the lighting cable.



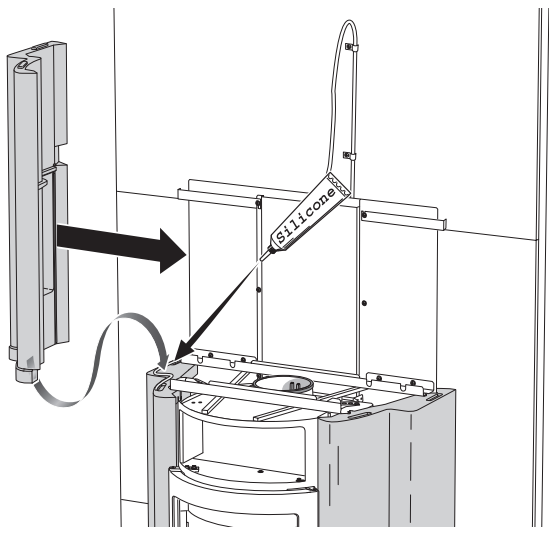
Clean the surfaces to be bonded. Apply a bead of silicone to the base plate and a thick bead of silicone at the bottom of the groove on the inside of the side plate.



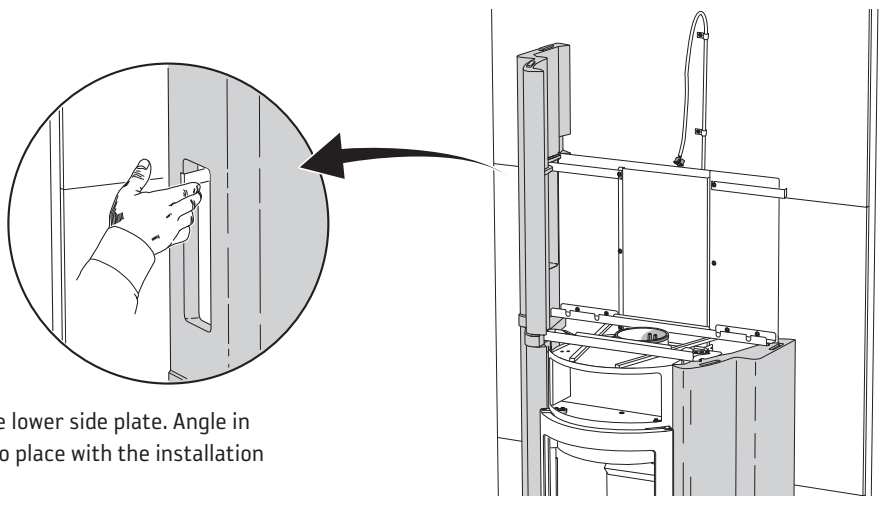
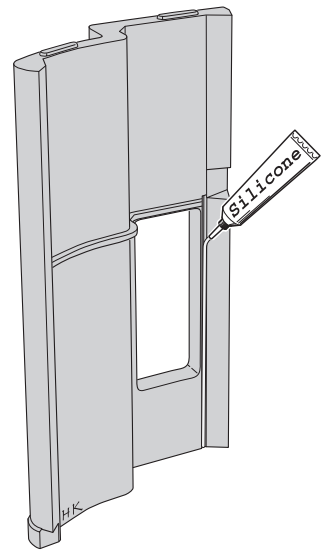
Position the side plate on the base plate. Lift the top frame and angle it to the side. Lower the top so that the back plate goes into the groove and the lugs in the top frame go into the holes in the side plate. Do the same on the other side



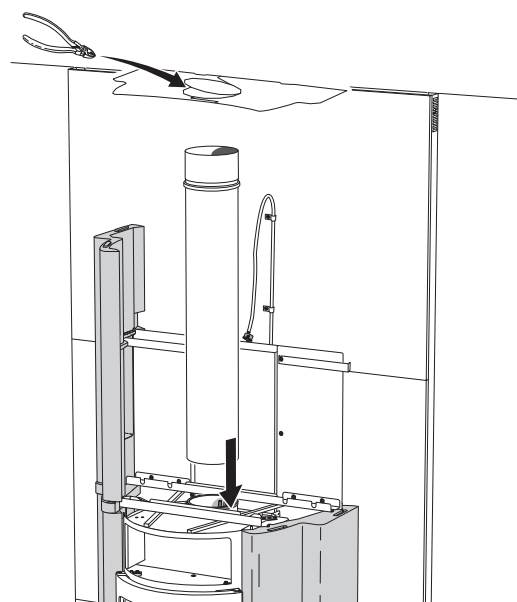
Check that the stove-body stands on the base plate correctly. Screw the top frame into place on the stove body. If at this stage the masonry stove leans in any direction the base plate can be lifted carefully and spacers installed underneath.



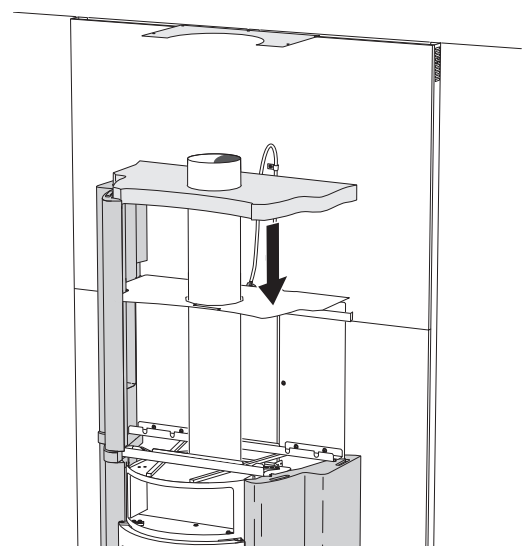
Clean the surfaces to be bonded. Apply a bead of silicone to the lower side plate and a thick bead of silicone at the bottom of the groove on the inside of the upper side plate.



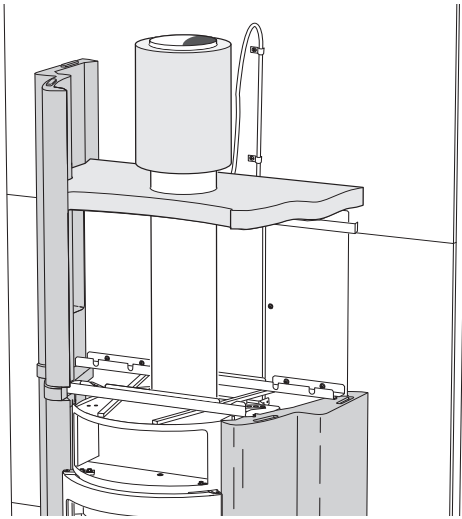
Position the upper side plate on the lower side plate. Angle in the upper side plate and hook it into place with the installation fixture so that it will not fall.



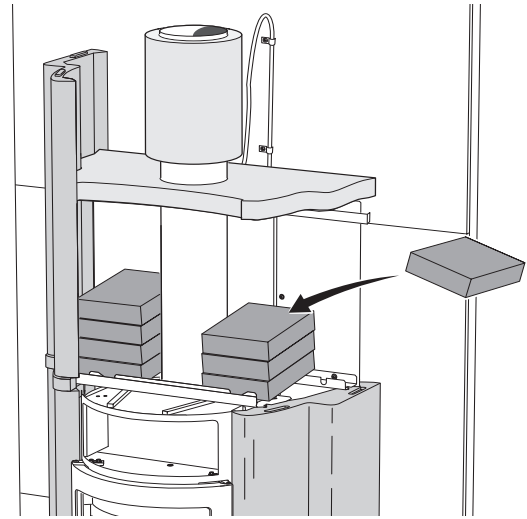
If the stove is to be top connected the partly punched hole is cut from the sealing plate. The start pipe is pressed on to the connection. Make sure that the gasket does not work loose from its position. If further sealing material is required, heat-resistant sealant may be used.



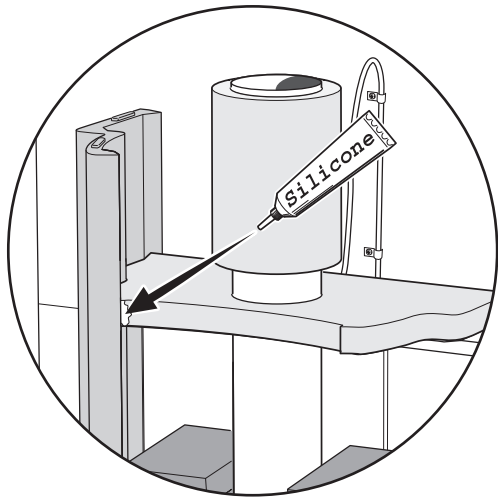
For both rear connecting and top connecting stoves the sealing plate and sealing insulation is positioned on the back plate edge and the edge on the inside of the upper side plate. Make sure that sealing insulation seals against the concrete and, if applicable, start pipe.



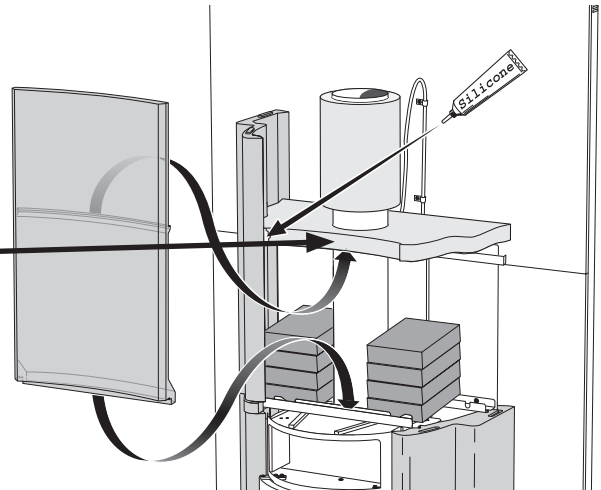
For top connection the start pipe must be insulated using 30 mm thick insulation above the sealing plate. Pull the insulation down over the start pipe but not the whole way. Refer to the chimney's installation instructions to install the chimney.



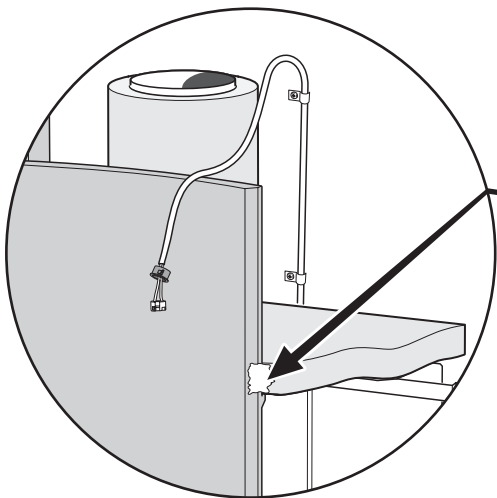
Place the eight olivine stones on the top frame. Check that they are stable.



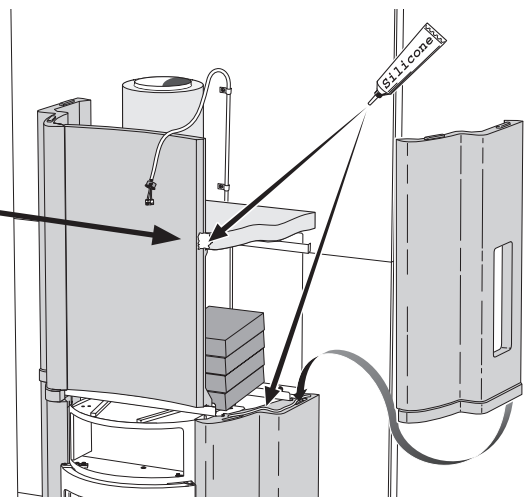
Apply silicone thickly to the joint to the height of the sealing plate.



Place the niche plate in the groove on the top frame. Lift the sealing plate slightly, angle in the niche plate and slide it sideways against the upper side plate.

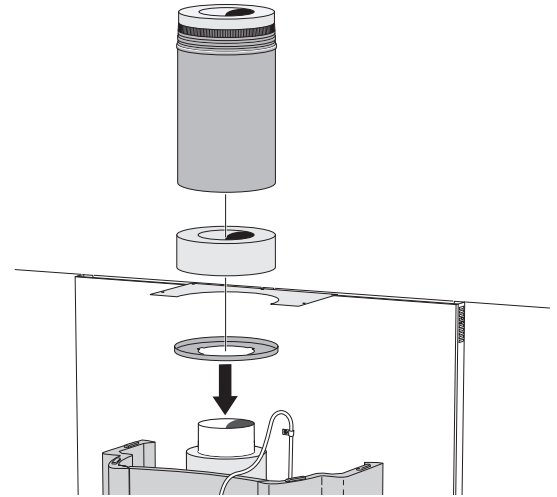
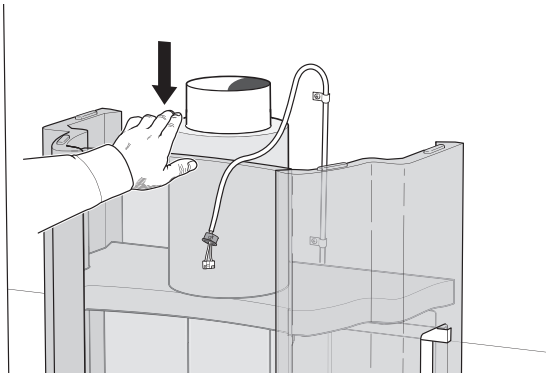


Apply silicone thickly to the joint to the height of the sealing plate.

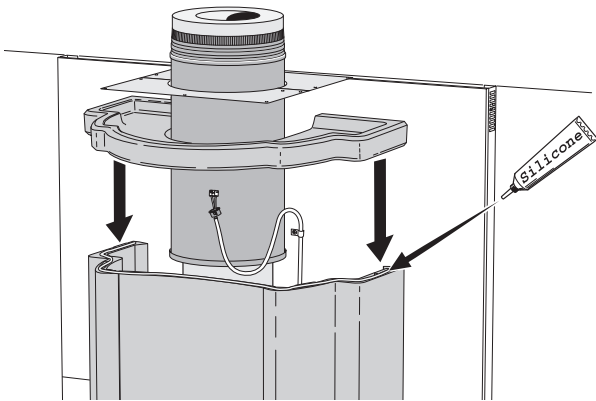


The same procedure is used to install the other side plate.

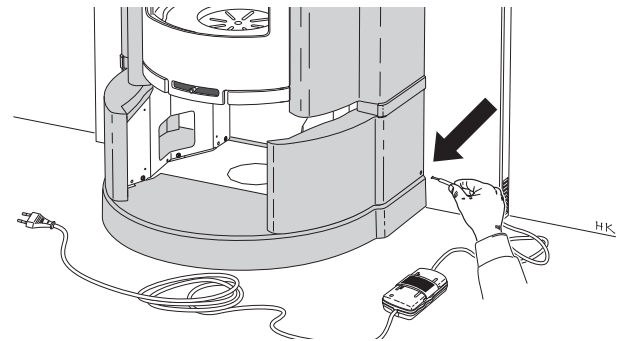




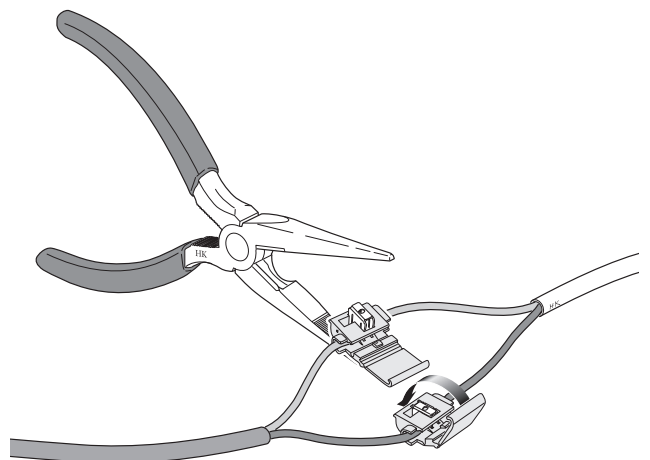
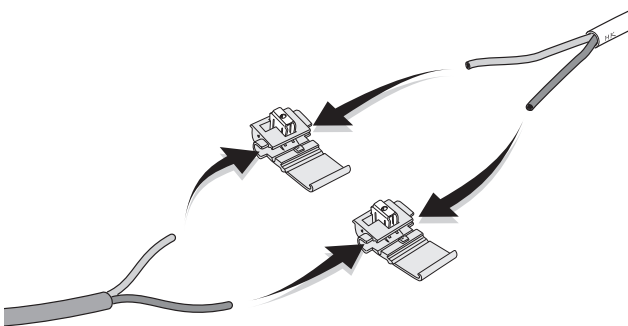
If the stove is top connected, the insulation around the start pipe is pushed down towards the sealing insulation. Place the stop washer on the ridge around the start pipe and thread the transfer insulation down. Install the first chimney module and the front half of the ceiling seal and moulding. The insulation around the start pipe must cover the whole way from the sealing insulation up to the stop washer. Refer to the chimney's installation instructions to install the chimney.



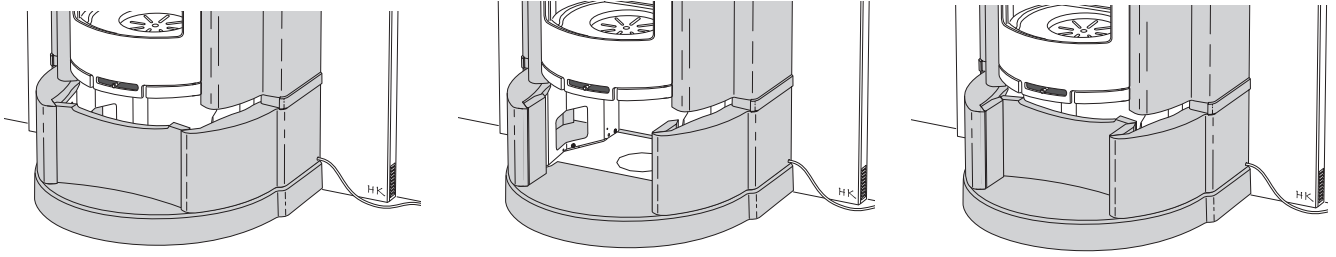
Apply the silicone in beads on the upper side plate and the niche plate. Place the top plate in position. Adjust the niche plate so that it is centred and so that it is 4 mm inside the side plate edges. Check that the top plate is correctly positioned, with support lugs behind the niche plate.



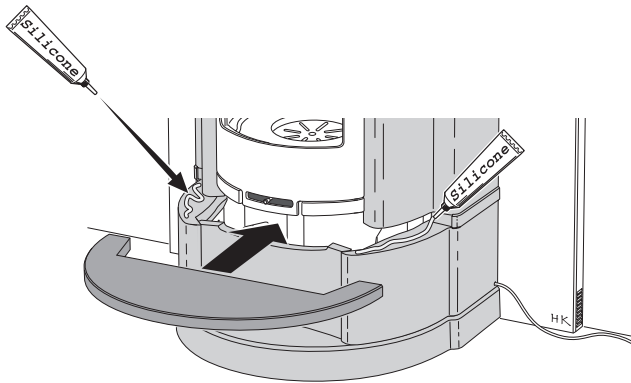
Insert the white cable from the transformer box in through the hole in the side. The transformer box is a combined transformer, dimmer and switch which gives 0-12V alternating current.



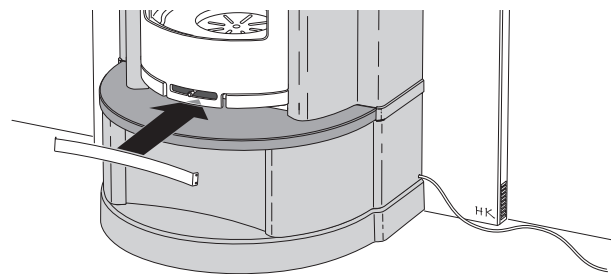
Without stripping the cables, splice the white cable and the red cable using the red splice connector. Insert a core from each cable on each side of the splice connector and press in the metal plate into the cables using pliers. Wrap the plastic tab around connection and snap it shut. Do the same to the two remaining cores.



The plinth can be mounted in three different ways, as a shallow plinth niche, as a deep plinth niche or as a log box. When installing, apply a bead of silicone between the plates.

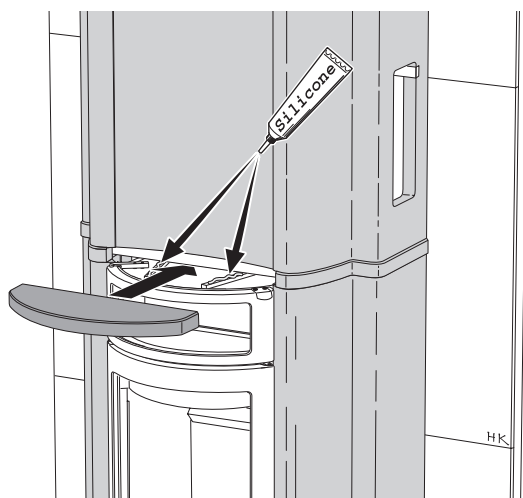


Apply silicone to the side plate and move the marble shelf into position.



Place the cover bow on the shelf under the hatch and push it in against the leg. Secure it against the side plate with silicone later during the grouting.

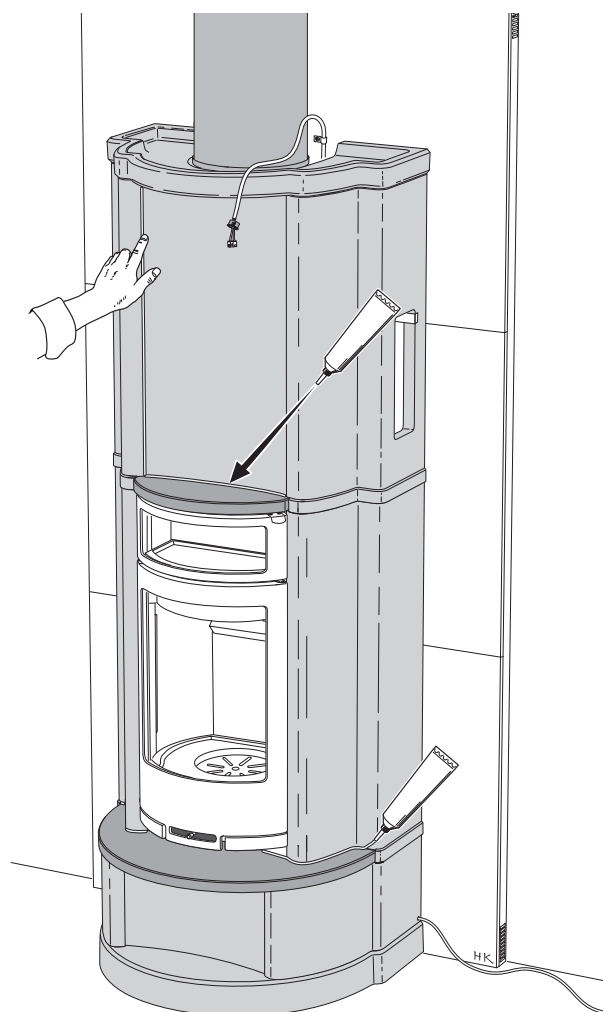
Install the convector fascia or the oven in accordance with the instructions for the various optional extras on pages 44. This must be done before the recessed shelf is installed.

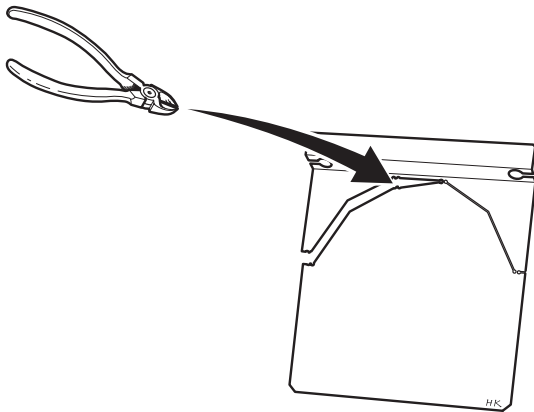


Apply silicone to the top frame and move the marble recessed shelf into position.

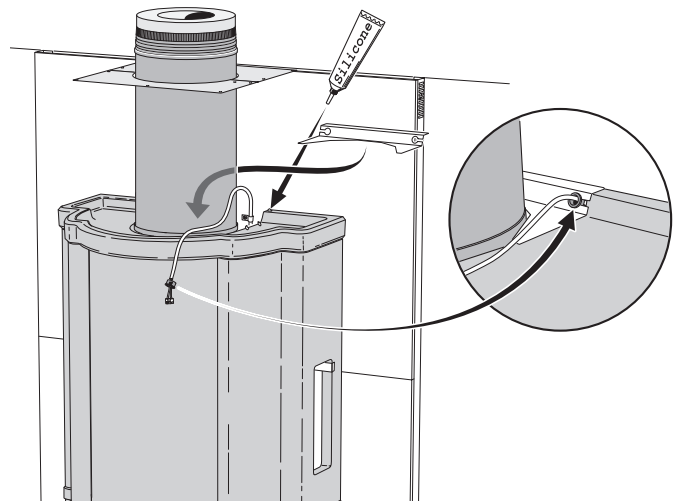
Apply acrylic sealant to all visible joints between plates, marble and protective screen. The joints can be smoothed with a finger dipped in soapy water.

When the acrylic sealant is dry the concrete is painted with textured paint or normal emulsion paint. If one wants a fine texture one can make one's own textured paint by mixing two decilitres of the supplied fixer in five litres of paint. A second coat is made with latex paint gloss 07 without texture agent.

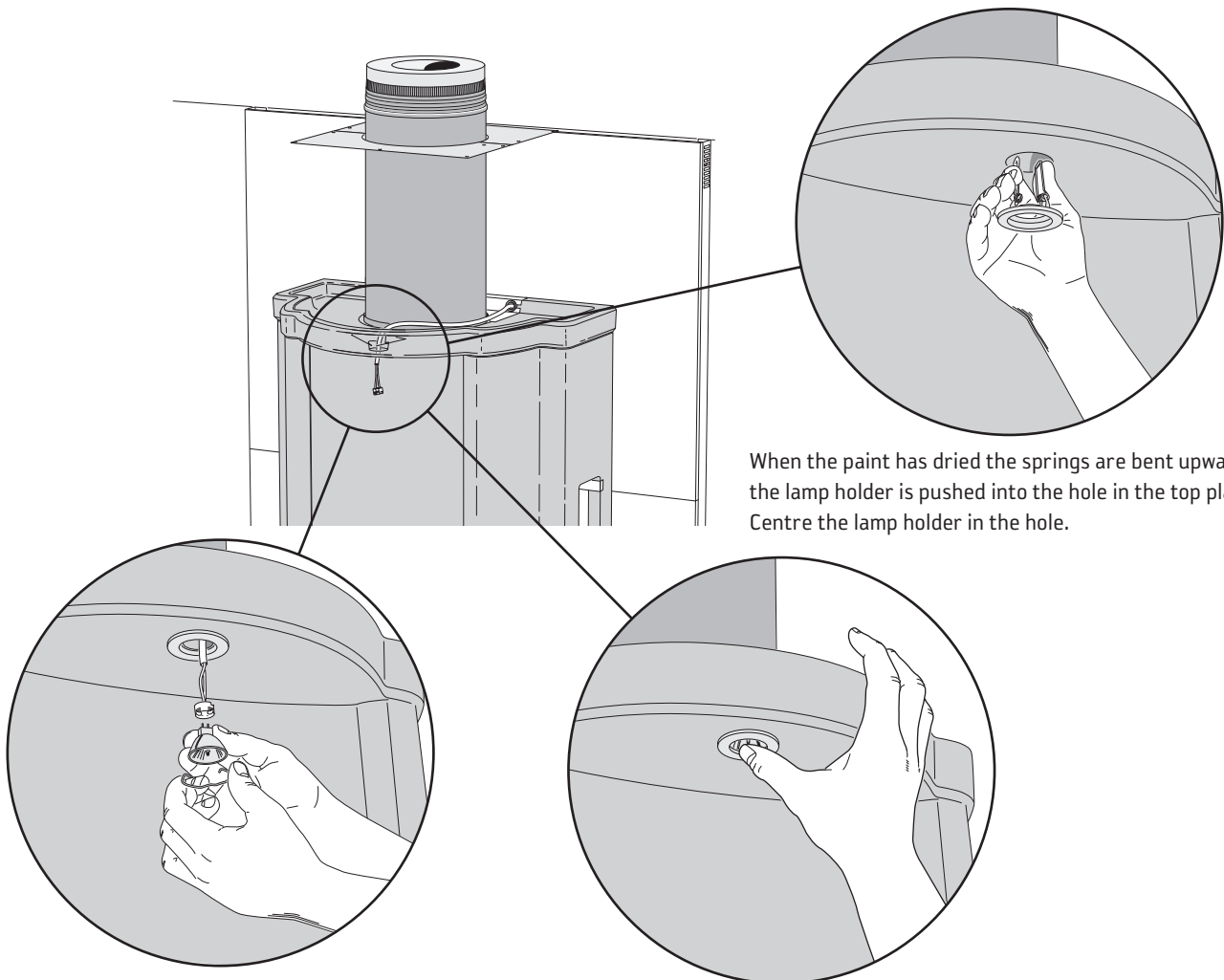




If the stove is top connected the partly punched hole is cut from the top plate.



Position the top plate, insert the cable from the side into the lead-in hole and press the grommet into the lead-in hole. Bond the top plate with a few drops of silicone.



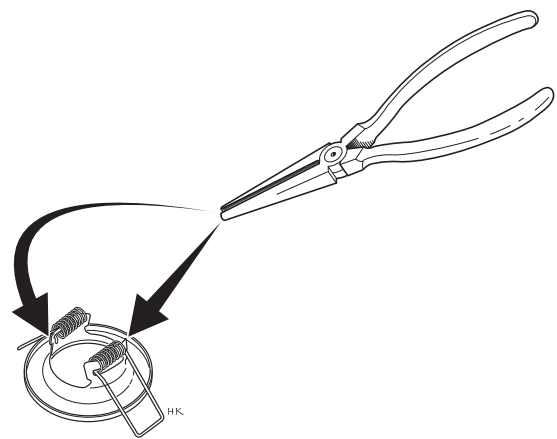
When the paint has dried the springs are bent upwards and the lamp holder is pushed into the hole in the top plate. Centre the lamp holder in the hole.

Thread the cable and socket through the lamp holder and press the lamp into place. Insert the lamp and the sprung ring in the lamp holder. Press the middle of the lamp to move the lamp and the lamp holder to the correct position.

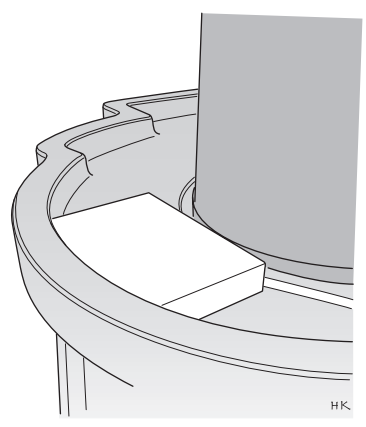
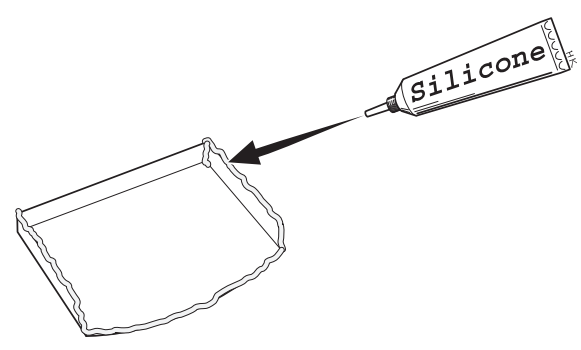


If you slip, the sprung ring can suddenly flick off during installation. Wear eye protection.

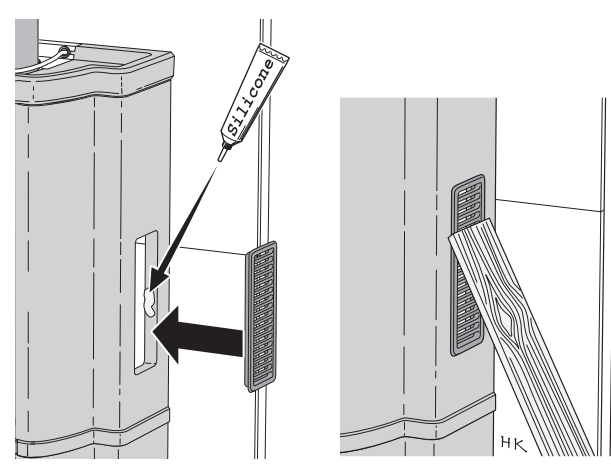




The spring pressure against the lamp can easily be adjusted if the lamp jumps out of the lamp holder too easily. The spring pressure is released by bending out the spring mountings on the right edge on both sides.

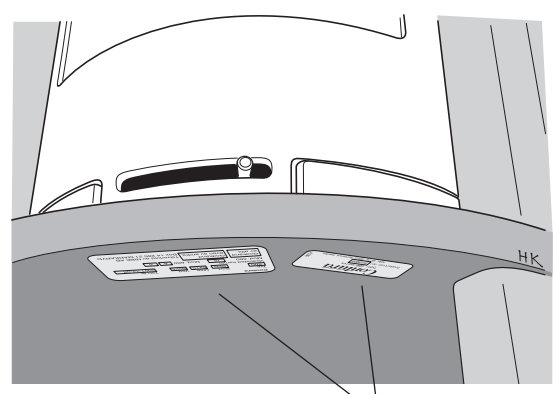


Install the light screen over the top plate.



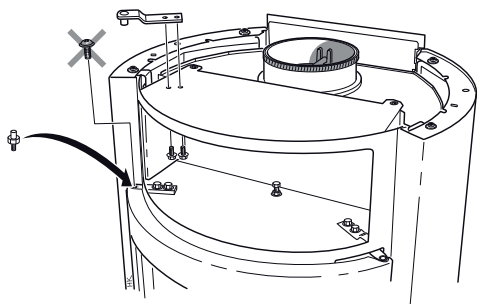
Apply large drops of silicone on the sides in the holes for the grilles. Install the grilles in the holes and use tape or lean a board against them to hold them in place while drying occurs.

Wipe the underside of the marble shelf and attach the type plates with the production number and safe installation distances.

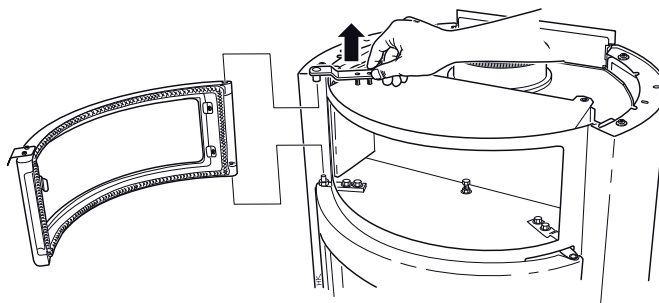


Type plates

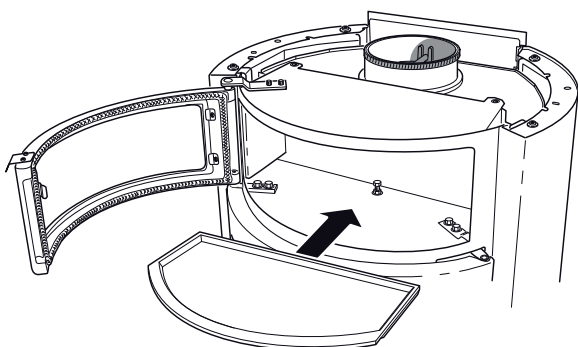
## Installing oven (option)



Remove the screw on the top hinge of the door. Replace this screw with the threaded hexagonal pin. This pin serves as the lower hinge for the oven door. Fit the screws into the upper hinge from below. Screw them in no more than two or three turns.

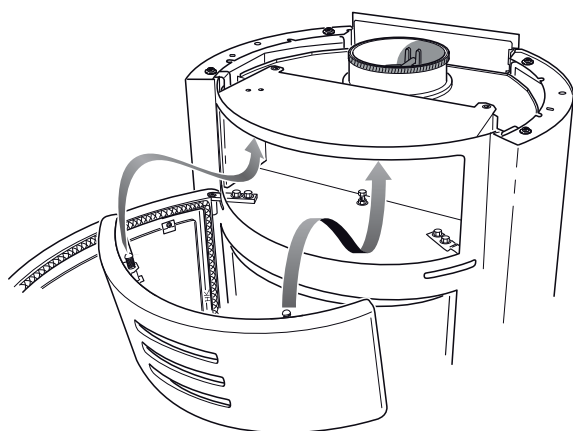


Hold the oven door in place on the threaded pin. Hook the top hinge in place and loosely tighten one of the screws. Close the oven door and adjust it so that it aligns horizontally. Then open it carefully and tighten both screws.

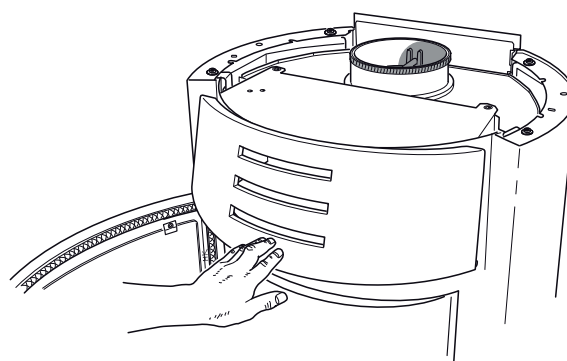


Place the baking sheet in the oven. If necessary, adjust the height of the baking sheet by turning the adjusting screw at the bottom of the oven unit.

## Installing convection fascia (option)



Open the door and place the flexible retaining brackets in the convector fascia as shown in the picture.



First lift the convector fascia so that the brackets take their place behind the front plate and then press the convector fascia gently upwards. Now press in the front and let it slide to its place.



611842 IAV SE-EX C690 - 6  
2011-12-19

# *Contura*

NIBE AB · Box 134 · 285 23 Markaryd · Sweden  
[www.contura.eu](http://www.contura.eu)

Contura reserves the right to change colours, materials, dimensions and models at any time without special notice. Your dealer can give you the most up to date information. Stoves shown in brochures may have optional extras.