

# Installation instruction



C 655A

*Contura*

## PERFORMANCE DECLARATION

No. C655A-CPR-130608-SE-1

# Contura

## PRODUCT

Product type Stove lit with solid biofuels  
 Type designation Contura 655A  
 Manufacturing number See rating plate on the stove  
 Intended area of use Heating of rooms in residential buildings  
 Fuel Wood

## MANUFACTURER

Name NIBE AB / Contura  
 Address Box 134, Skulptörvägen 10  
 SE-285 23 Markaryd, Sweden

## CHECKS

According to AVCP System 3  
 European standard EN 13240:2001 / A2:2004  
 Test institute Rein-Ruhr Feuerstätten Prüfstelle, NB 1625,  
 has checked declared performance and issued test report no. RRF-40 07 1478

## DECLARED PERFORMANCE

Essential characteristics	Performance	Harmonised technical specification
Reaction to fire	A1 WT	EN 13240:2001 / A2:2004
Minimum distance to combustible material	100 mm to rear 520 mm to side Other safety distances according to the installation instructions	
Risk of falling embers	Approved	
Emissions from combustion	CO 0.06% NOx 115 mg/m <sup>3</sup> OGC 57 mg/m <sup>3</sup> PM 28 mg/m <sup>3</sup>	
Surface temperatures	Approved	
Cleaning options	Approved	
Mechanical durability	Approved	
Emissions of hazardous substances	Approved	
Nominal output	6 kW	
Efficiency	79%	
Flue gas temperature in connector at nominal output	280°C	

The undersigned is responsible for the manufacture and conformity with the declared performance.



**Niklas Gunnarsson**, Business area manager NIBE STOVES  
 Markaryd, 1st July 2013



A warm welcome to Contura

A warm welcome to the Contura family. We hope you will get a great deal of pleasure from your new stove.

As a new owner of a Contura stove, you have secured a product with timeless design and long service life.

Contura also has a combustion process that is both environmentally friendly and efficient, for the best heat production.

Read through these installation instructions carefully before installation. Read how to best light your stove in the lighting instructions.

### List of Contents

Technical details	68
Removing the loose parts	68
Connection to chimney	70
Supply of combustion air	71
Installation distances	72
Assembly	73
Installation of oven (option)	76
Installation of metal warming shelf (option)	77
Installation of soapstone warming shelf (option)	78
Installation of base (option)	78
Installing drawer	79

#### **NOTE:**

##### **Report the installation of a stove to your local authority.**

The owner of the house is personally responsible for ensuring compliance with the mandatory safety requirements and must have the installation approved by a qualified inspector. Your local chimney sweep must also be informed about the installation as this will affect the routines for regular chimney-sweeping services.

#### **WARNING!**

##### **The stove becomes very hot**

During operation, certain surfaces of the stove become very hot and can cause burn injury if touched. Also, take heed of the strong heat radiated through the door glass. Placing flammable material closer than the safe distance indicated may cause a fire. Smoulder combustion can cause quick gas ignition with the risk of damage to property and personal injury.

## Technical details

Effect	3-9 kW
Nominal effect	6 kW
Efficiency	up to 80%

<b>Model</b>	<b>655A</b>
Height (mm)	1200
Width (mm)	550
Depth (mm)	480
Weight (kg)	150

**Type approved in accordance with:**  
 European standard EN-13240 class 1  
 Swedish environmental and quality marking,  
 P-marking cert. no. 220306  
 Norwegian standard NS 3059, cert. no. 043-104  
 German standard DIN 18.891, RO-91 01 319  
 Danish standard 887-1, id no. 598

## Important to remember!

### Installation by authorised technician

This manual contains instructions about how the stoves must be assembled and installed. To ensure the function and safety of the stove, we recommend that the installation is carried out by an authorised technician. Contact one of our dealers who can recommend suitable fitters.

### Building permission

These main instructions may give guidance which would contravene national building regulations. Please refer to supplementary instructions or ask your local authority for advice regarding building regulations. Before installing a stove or erecting a chimney it is necessary for you to make a building application permission to your local authority.

### Structural support

Check that the wood joists are strong enough to bear the weight of the stove and chimney. The stove and chimney can usually be placed on a normal wooden joist in a single occupancy house, if the total weight does not exceed 400 kg.

### Floor plate

Due to the risk of falling embers, a combustible floor must be protected by a hearth plate which covers at least 300 mm to the front and 100 mm along each side. The hearth plate can consist of natural stone, concrete, metal or glass. A painted metal or glass hearth plate is available as an accessory for these models.

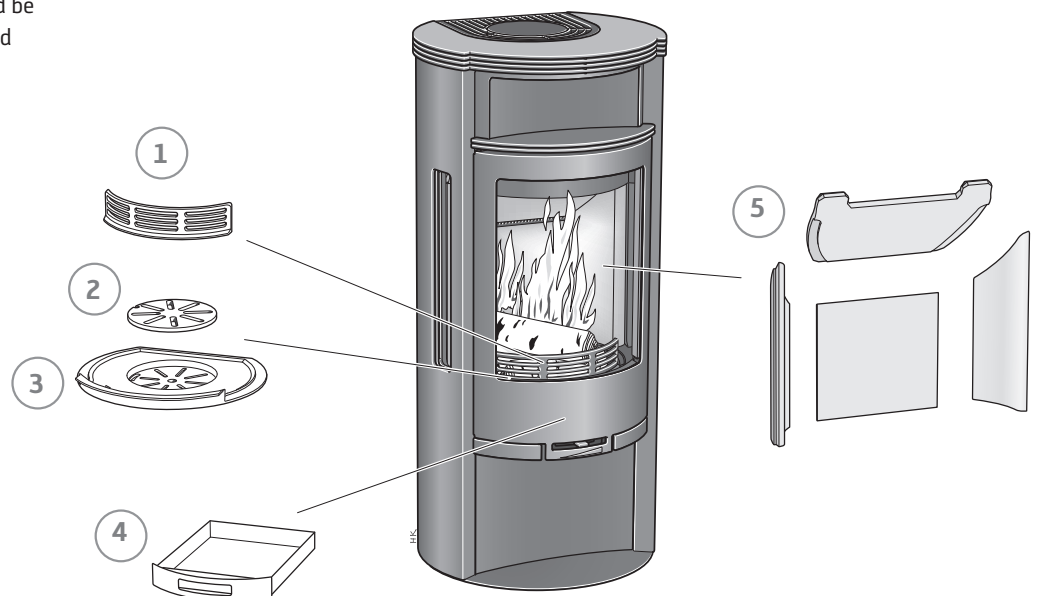
### Cleaning aluminium parts

Cleaning must always be carried out with care and on cold panels. Wipe with a damp cloth and dishwashing detergent and wipe dry using a clean and dry cotton cloth. For tougher marks, stainless steel cleaning agent can be used.

## Removing the loose parts

If the insert needs to be put down to be moved, loose components should be removed. When the stove is installed reinstall the components in reverse order.

- 1 Fire bars
- 2 Grate disc
- 3 Cast-iron firebed
- 4 Ash-pan
- 5 Hearth cladding (Vermiculite).

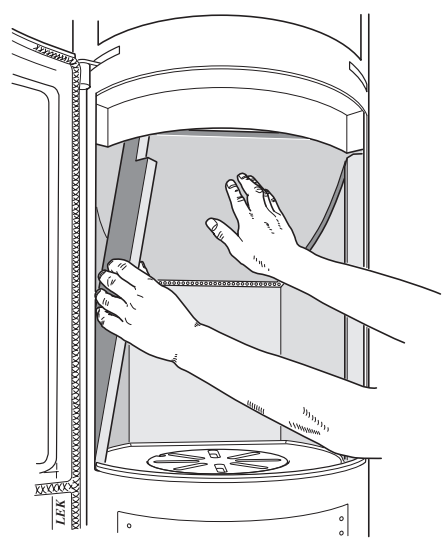


### How to remove the hearth surround (Vermiculite)

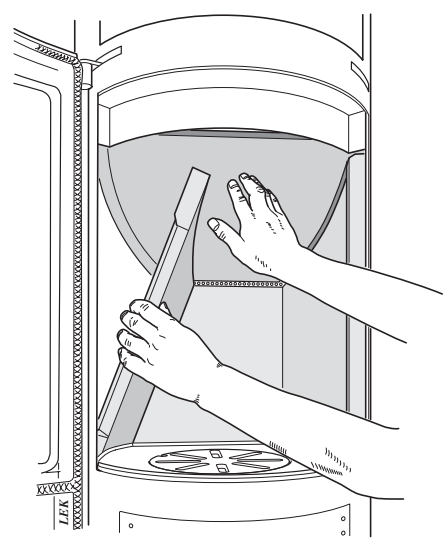
Handle the vermiculite with care. Lift the smoke baffle with one hand whilst removing the sides pieces. If necessary, move the cast-iron firebed slightly. Reinstall in reverse order

5

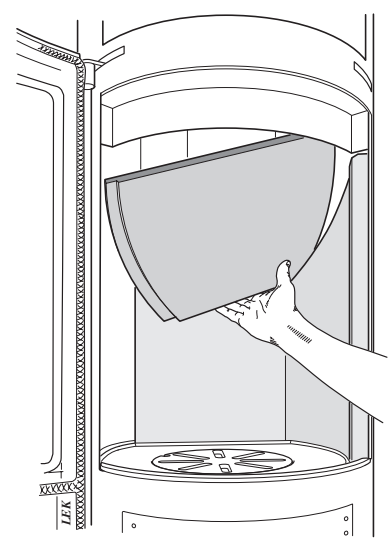
1



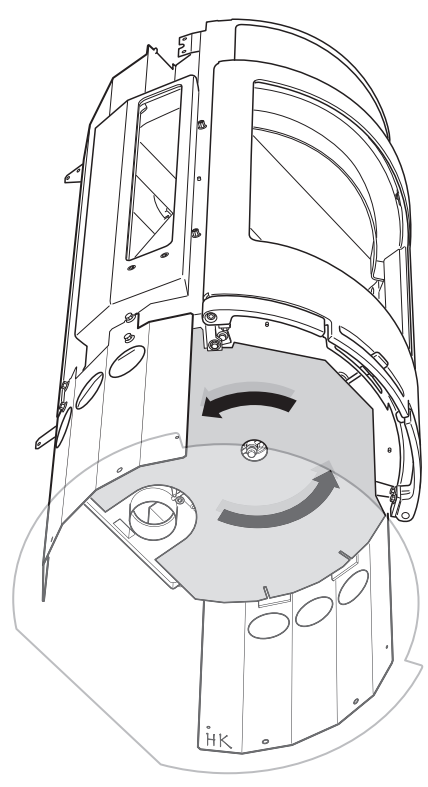
2



3



The heat reflecting plate must be fitted underneath the body of the stove if the area below is to be used as a log-box. The heat reflector can be removed by turning it to the left until it slides free from the lower set of screws holding the legs in place. The heat reflector is hooked back in place on the screws by turning it to the right.



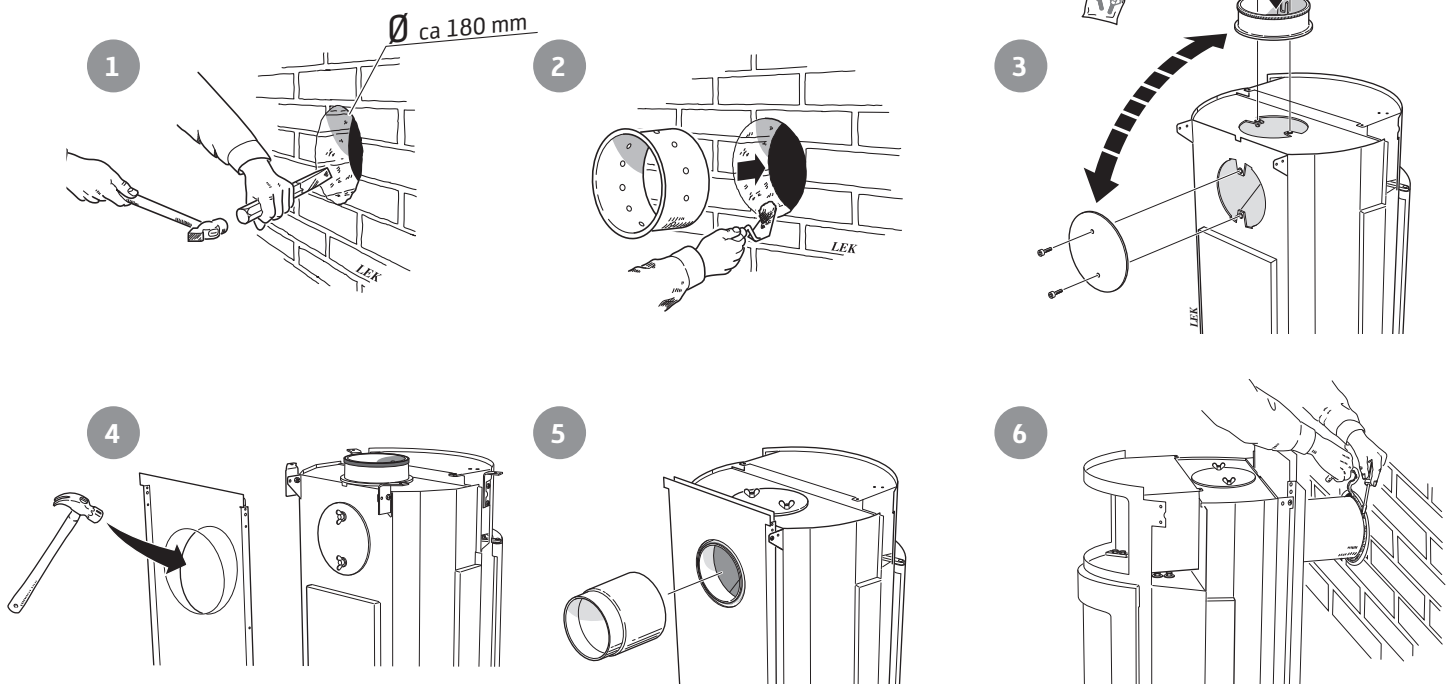
## Connection to chimney

- The stove meets the requirements for connecting to chimneys dimensioned for 350°C flue gas temperature.
- The external diameter of the connection sleeve is 150 mm.
- The stove requires a draft in the chimney of at least -12 Pa. The draft is affected both by the length and area of the chimney, and by how well sealed it is. Minimum recommended chimney length is 3.5 m and suitable cross section area is 150-200 cm<sup>2</sup> (140-160 mm in diameter).
- A flue with sharp bends and horizontal routing reduces the draught in the chimney. The maximum horizontal flue is 1 m, on the condition that the vertical flue length is at least 5 m.
- It must be possible to sweep the full length of the flue and the soot doors must be easily accessible.
- Carefully check that the chimney is sealed and that there is no leakage around soot doors and flue connections.

### Rear connection to a masonry chimney

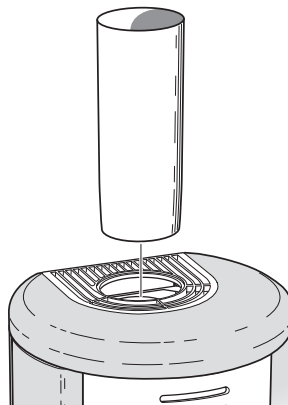
The back panel must be installed before the stove is connected at the rear.

In the bag with these installation instructions are two wing screws for the cover.



### Top connection to the chimney

The hot air grille must be installed before chimney top connection.



Make sure that the connector gasket does not work loose when the connection pipe is placed on the connector. If further sealing material is required, heat-resistant sealant may be used.

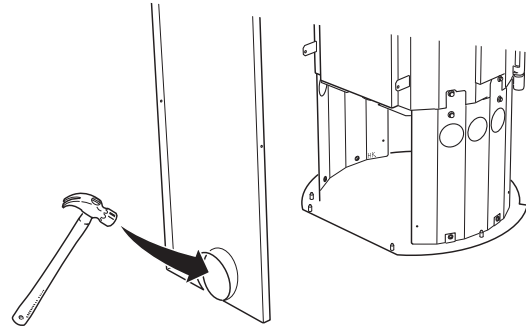
# Supply of combustion air

When a stove is installed in a room, the demand for air supply to the room increases. Air can be provided indirectly via a vent in the outer wall or via a duct from the outside that is connected to the connector on the underneath of the stove. The amount of air needed for combustion is approx. 25m<sup>3</sup>/h.

The connector has an external diameter of 67 mm. When duct routing further than 1 m the pipe diameter must be increased to 100 mm and a correspondingly larger wall vent must be selected.

In hot areas the duct should be insulated with 30 mm mineral wool covered with a moisture inhibitor (plastic). It is important that the lead-in between the pipe and the wall (or floor) is sealed using jointing compound.

A 1 m length of condensation-insulated ducting for combustion air is available as an accessory.

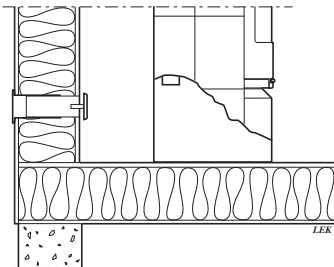


In the back and floor plates there are knockouts that must be removed to insert pipes or for air supply if the stove is equipped with a drawer, lower hatch and/or fan (accessory).

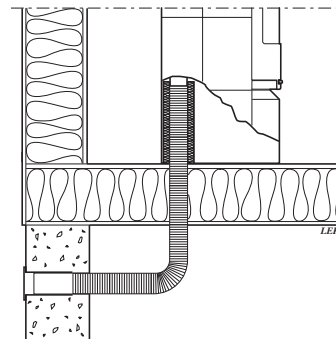


Leave a 40 mm gap between the condensation insulation and the bottom of the stove.

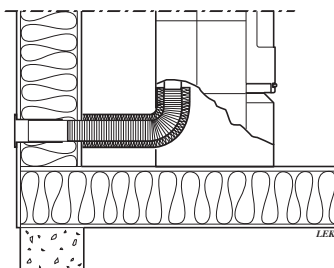
## Installation variants



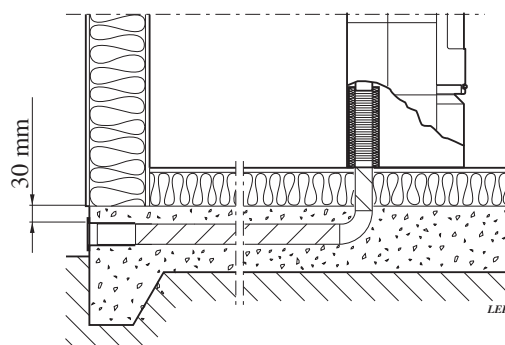
Indirect air supply through the external wall.



Through floor and wall-and-cavity foundation.



Through the external wall.



Through floor and foundation slab.

## Installation distances

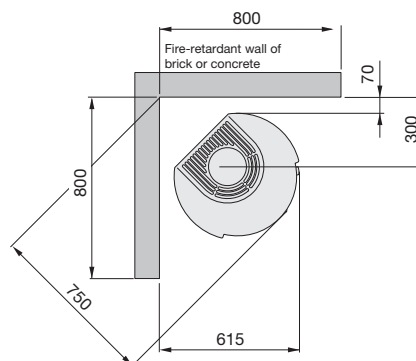
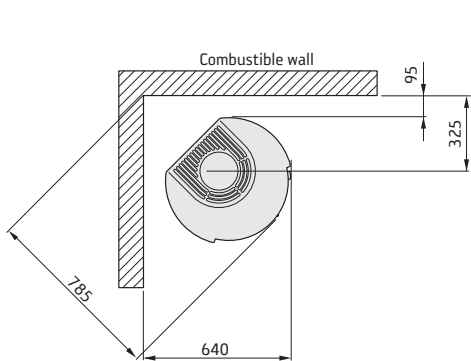
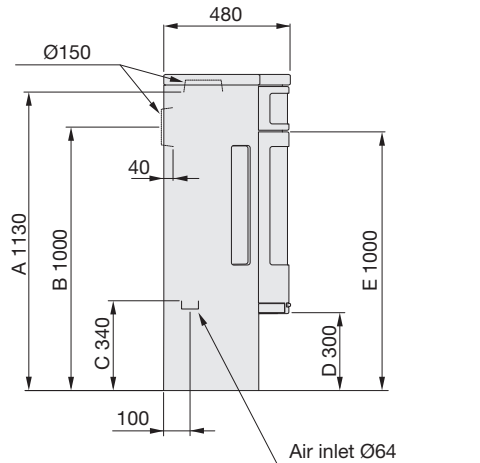
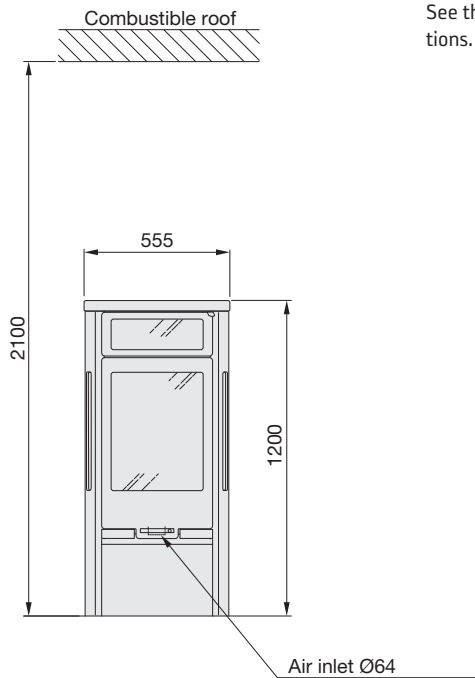
## C 655A

WHEN INSTALLING TURNTABLE (OPTION) the following installation distances do not apply. See the separate turntable installation instructions.

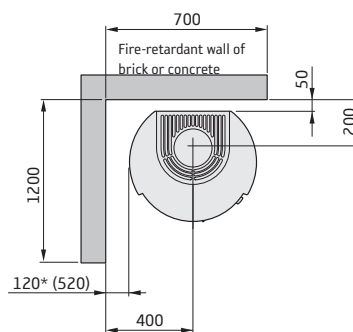
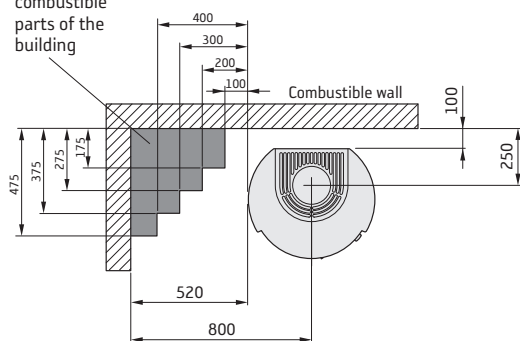
The minimum distance in front of the stove opening to combustible parts of the building or interior decoration must be at least 1 m.

When top connecting a steel flue, please refer to the particular manufacturer's installation instructions. Observe the safety distance to combustible material required by the steel flue

- A = height from floor to chimney connection upwards
- B = height from floor to c/c chimney connection rear
- C = height from floor to air inlet
- D = height from floor to lower edge of hatch
- E = height from floor to upper edge of hatch



Permitted area for combustible parts of the building



A separate glass hearth plate (accessory) increases the connection height to the chimney by 10 mm. The spacers supplied with the hearth plate are installed on the stove before connection.

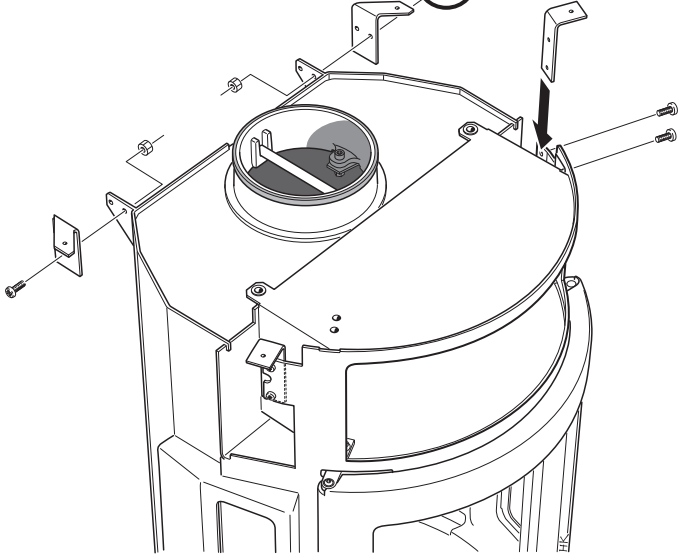
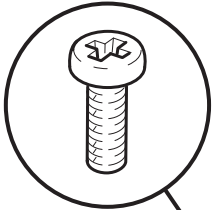
\* If the stove is placed on a hearth plate made of glass for example (accessory), the height from the floor is affected by a distance corresponding to the thickness of the hearth plate. Also applies to separate glass hearth plates (accessory).

\*\* To prevent discolouration of painted non-flammable walls we recommend that the same side distance as to combustible walls is used.

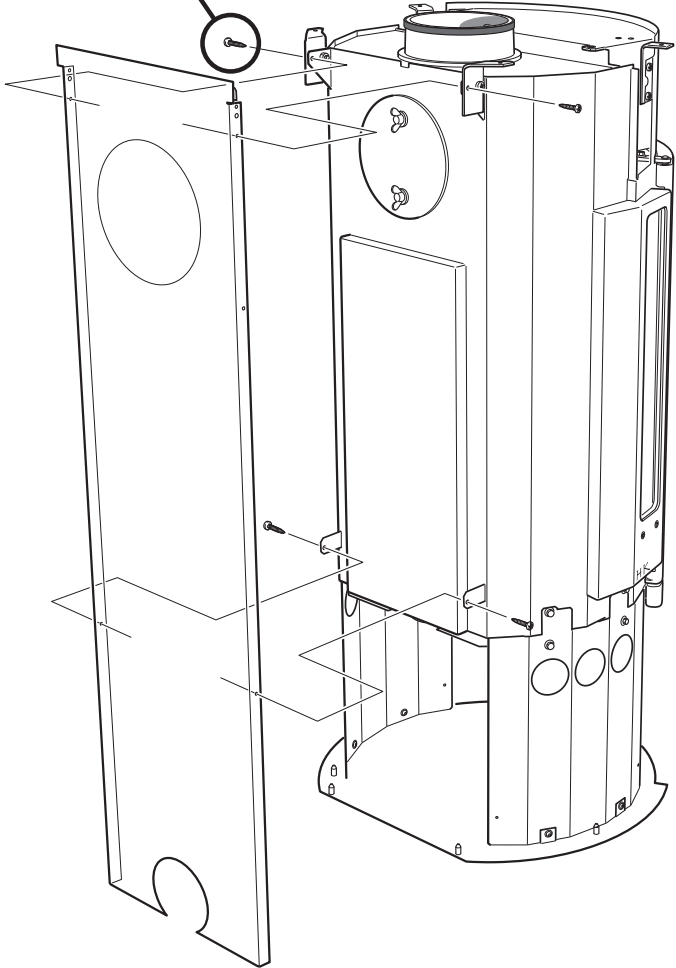
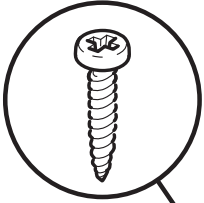


# Installing C 655A

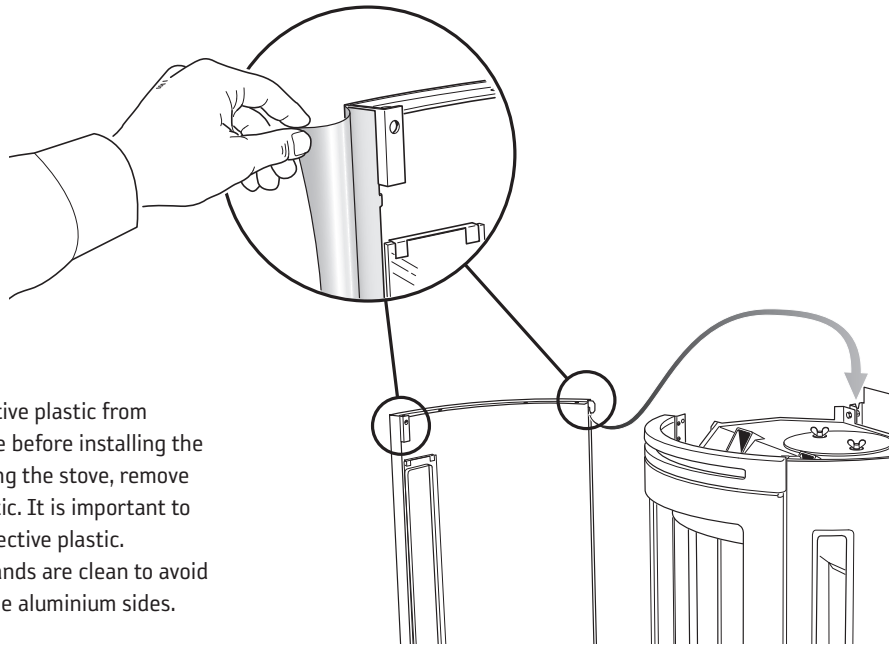
1



2

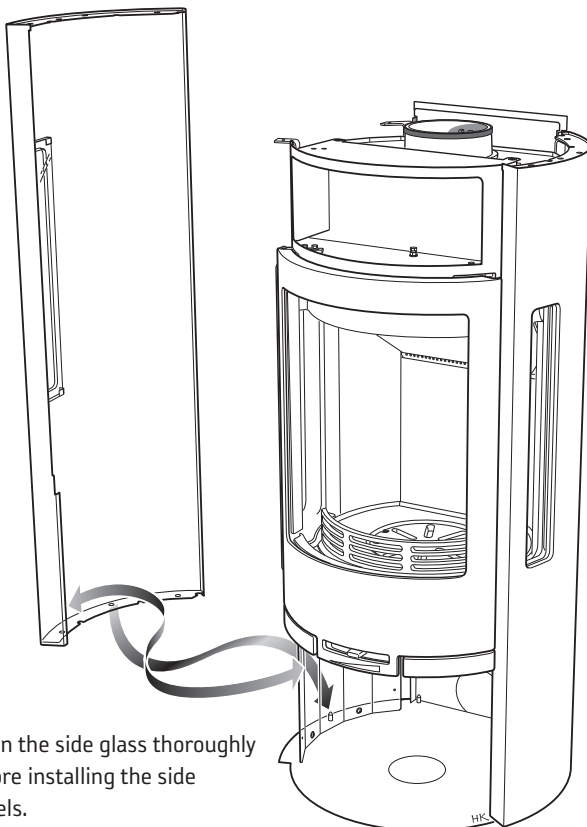


3



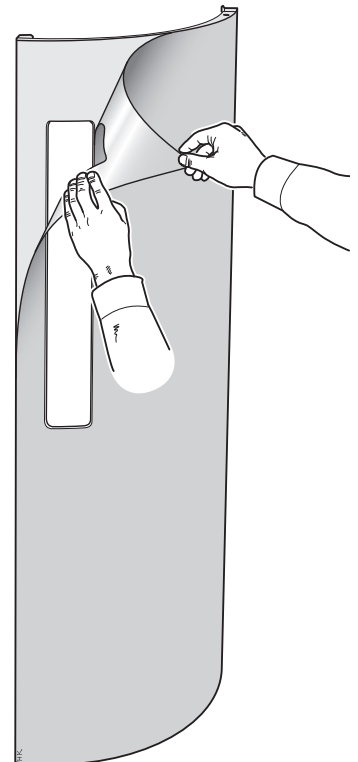
Remove the protective plastic from along the bent edge before installing the sides. After installing the stove, remove the protective plastic. It is important to remove all the protective plastic. Ensure that your hands are clean to avoid leaving marks on the aluminium sides.

4

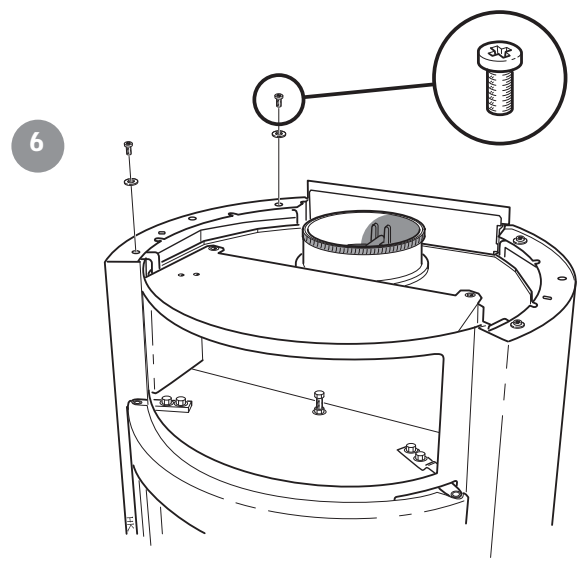


Clean the side glass thoroughly before installing the side panels.

5

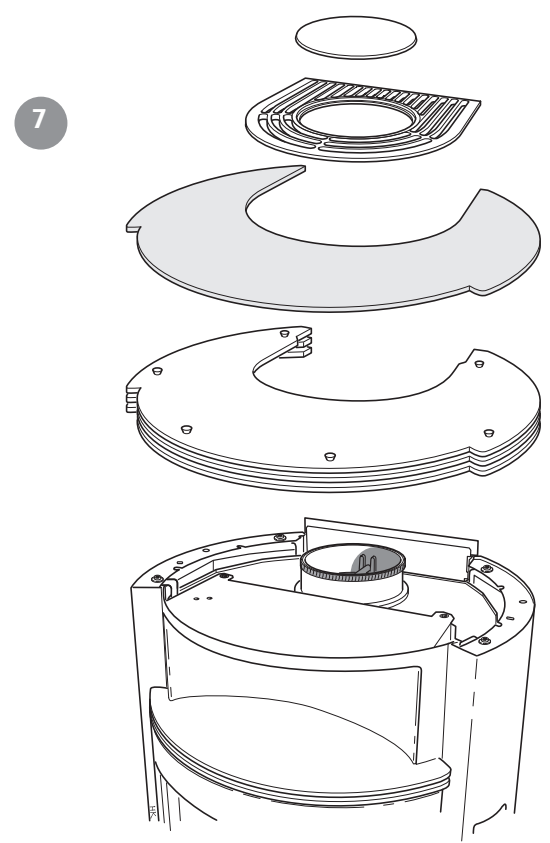


Hold the side panel approximately 20 mm above the base panel and turn the side panel's front edge around the edge of the leg. Align and depress the side panel end over the base panel's shaft pin.



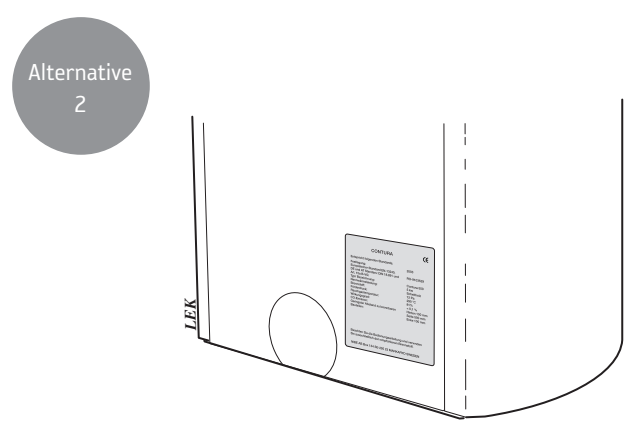
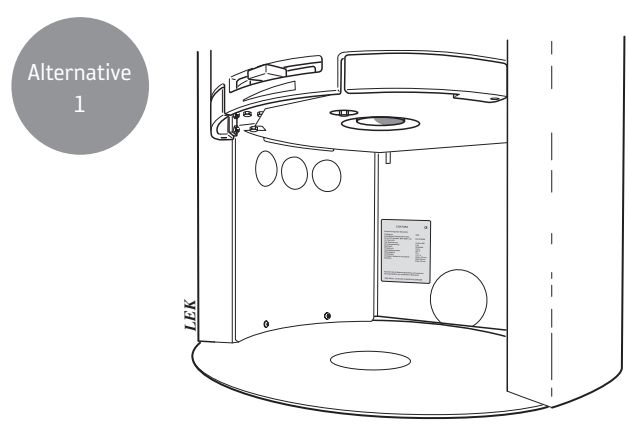
Use starhead screws with washers to secure the side panels. Adjust the side panels so that they are against the insert at the front edge and the back plate at the rear edge.

Install the metal shelf or baking oven according to the instructions in the section for the relevant accessory on pages 76 to 78. This must be done before the top is installed.



### Installing rating plates

The rating plate supplied is placed on the back, either internally or externally.

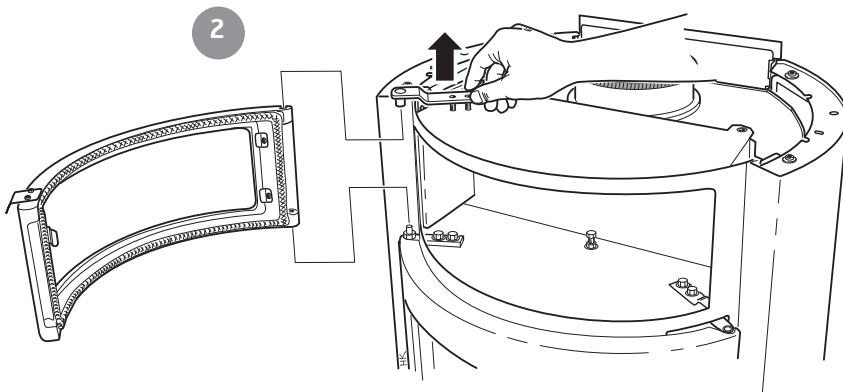
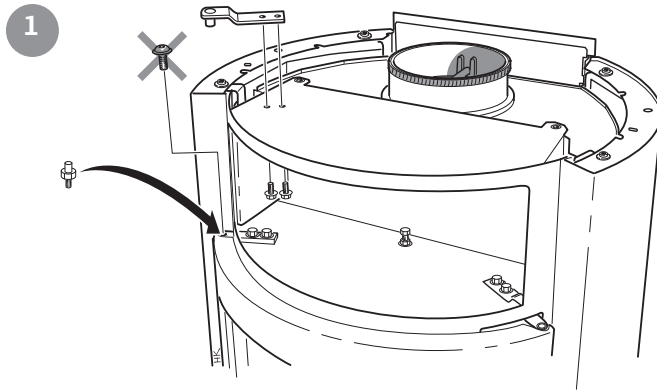


### Final inspection of the installation

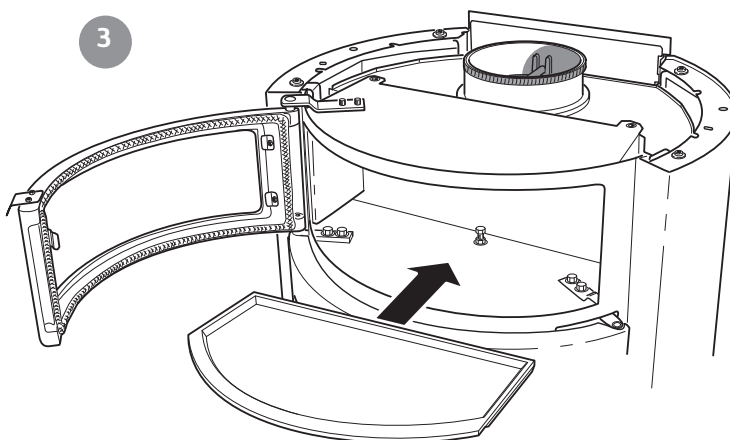
It is extremely important that the installation is inspected by an authorised chimney sweep before the stove is used. Also read the "Lighting instructions" before lighting for the first time.



## Installation of oven (option)

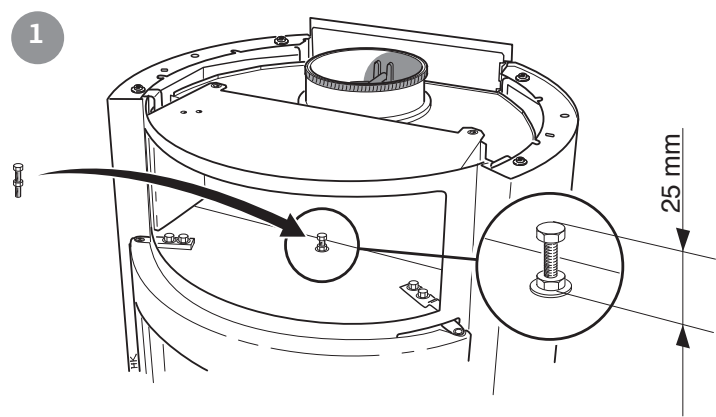


Hold the oven door in place on the threaded pin. Hook the top hinge in place and loosely tighten one of the screws. Close the oven door and adjust it so that it aligns horizontally. Then open it carefully and tighten both screws.

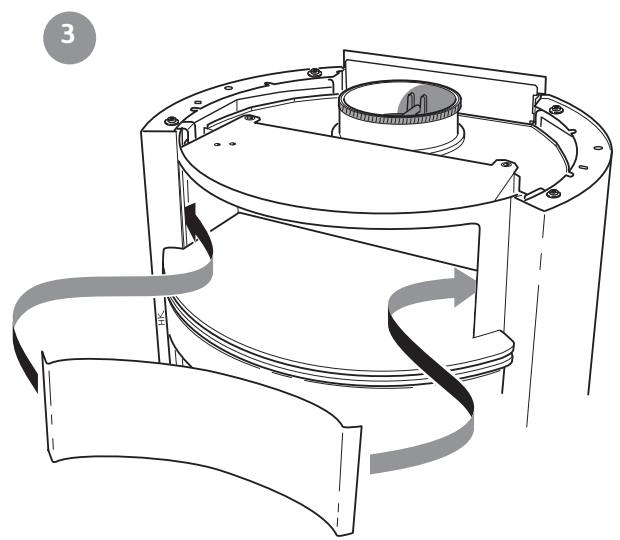
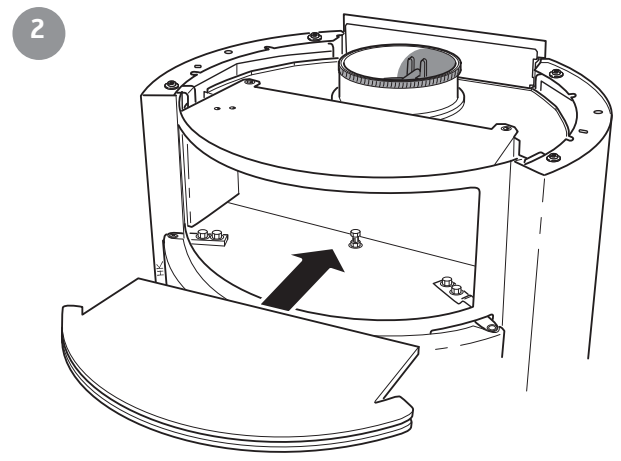


Place the baking sheet in the oven. If necessary, adjust the height of the baking sheet by turning the adjusting screw at the bottom of the oven unit.

# Installation of metal warming shelf (option)

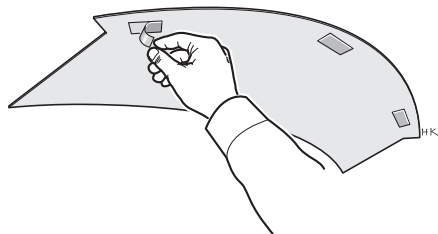


Replace the preinstalled adjuster screw in the heating compartment with the longer adjuster screws provided. Place the warming shelf in the heating compartment, use the adjuster screw at the rear edge for horizontal installation. In the side of the heating compartment there is a small gap, this is used to install the rear cover panel.

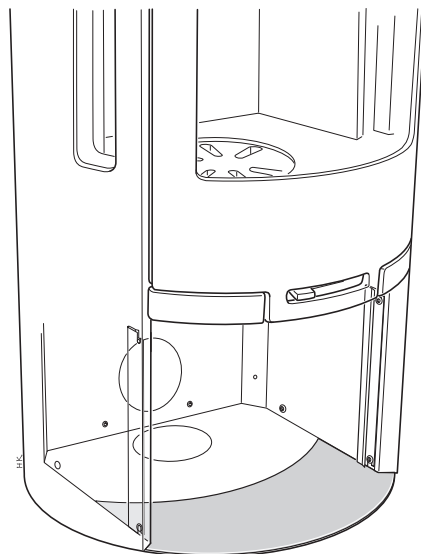


## Installation of base (option)

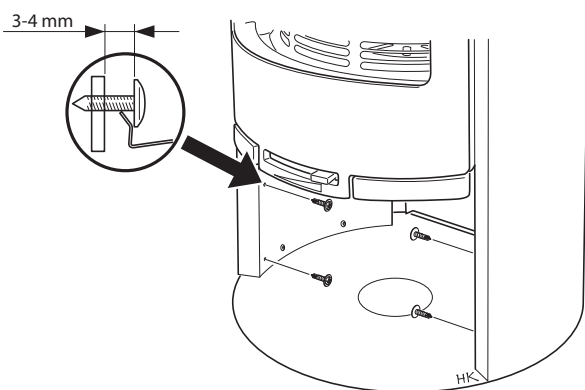
1



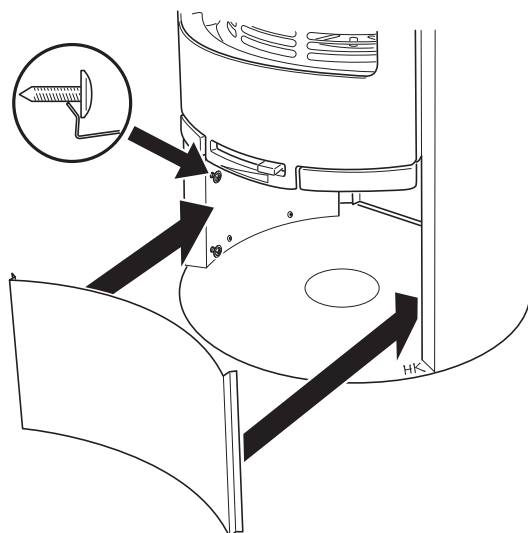
2



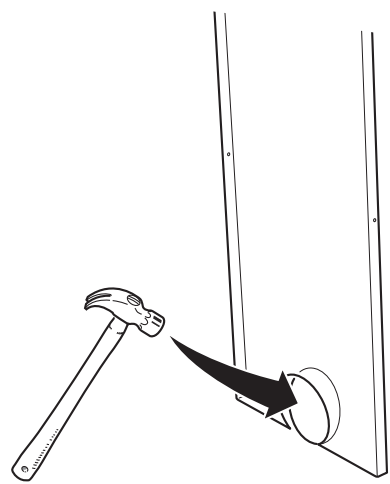
3



4

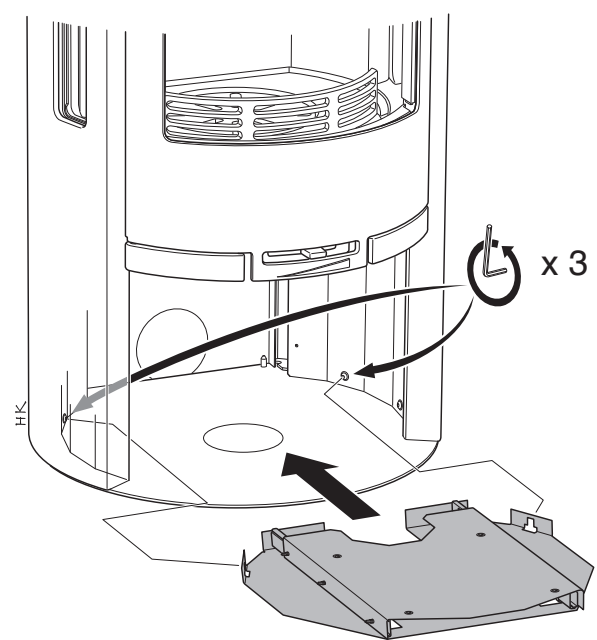


# Installation of drawer (option)



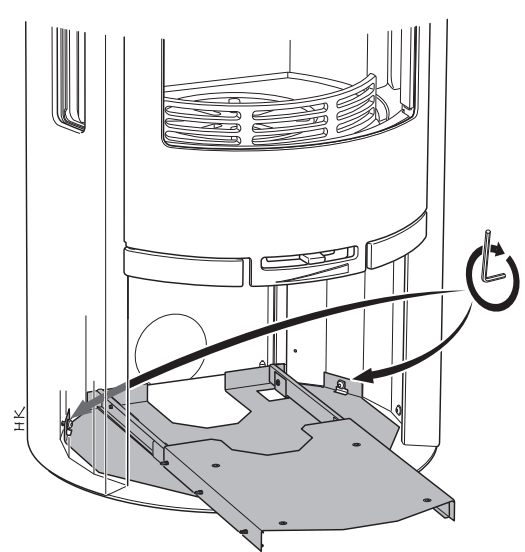
**!** When installing the drawer, the knockout in the back panel must always be removed for the supply of convection air.

1



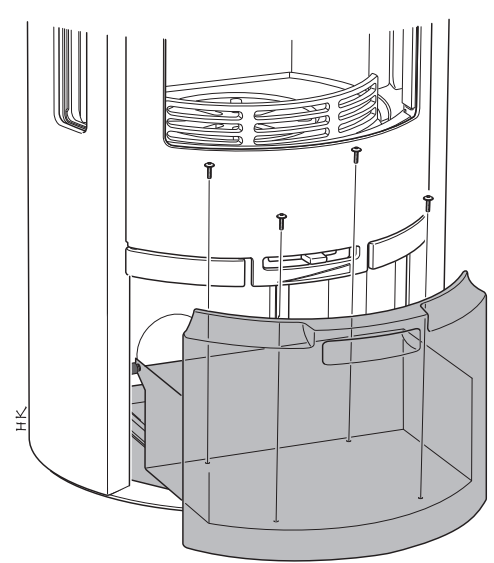
Slacken off the rear Allen screws three turns. Place the pull-out unit on the base plate.

2



Hook the pull-out unit into place over the rear Allen screws. Screw the unit into place.

3



Install the drawer on the pull-out unit using the four Allen screws. Adjust the drawer so that it is centrally positioned, then tighten the screws.

# *Contura*

NIBE AB · Box 134 · 285 23 Markaryd · Sweden  
[www.contura.eu](http://www.contura.eu)

Contura reserves the right to change dimensions and procedures described in these instructions at any time without special notice. The current edition can be downloaded from [www.contura.eu](http://www.contura.eu)