

Installation instruction



C 620S
C 620T
C 660T

Contura

Declaration of performance according
to Regulation (EU) 305/2011
No. C620-C660 CPR-130608-SE-1

Contura

PRODUCT

Product type Stove lit with solid biofuels
Type designation Contura 620S, 620T, 660T
Manufacturing number See rating plate on the stove
Intended area of use Heating of rooms in residential buildings
Fuel Wood

MANUFACTURER

Name NIBE AB / Contura
Address Box 134, Skulptörvägen 10
SE-285 23 Markaryd, Sweden

CHECKS

According to AVCP System 3
European standard EN 13240:2001 / A2:2004
Test institute Rein-Ruhr Feuerstätten Prüfstelle, NB 1625,
has checked declared performance and issued test report no. RRF-40 12 3015, RRF-40 07 1478

DECLARED PERFORMANCE

Essential characteristics	Performance	Harmonised technical specification
Reaction to fire	A1 WT	EN 13240:2001 / A2:2004
Minimum distance to combustible material	Rear: 100 mm Side: 500 mm Other safety distances according to the installation instructions	
Risk of falling embers	Pass	
Emissions from combustion	CO 0.06% NOx 115 mg/m ³ OGC 57 mg/m ³ PM 28 mg/m ³	
Surface temperatures	Pass	
Cleaning options	Pass	
Mechanical durability	Pass	
Emissions of hazardous substances	Pass	
Nominal output	6 kW	
Efficiency	79%	
Flue gas temperature in connector at nominal output	280°C	

The undersigned is responsible for the manufacture and conformity with the declared performance.



Niklas Gunnarsson, Business area manager NIBE STOVES
Markaryd, 1st July 2013



A warm welcome to Contura

A warm welcome to the Contura family. We hope you will get a great deal of pleasure from your new stove. As a new owner of a Contura stove, you have secured a product with timeless design and long service life. Contura also has a combustion process that is both environmentally friendly and efficient, for the best heat production.

Read through these installation instructions carefully before installation. Read how to best light your stove in the lighting instructions.

List of Contents

Technical details	68
Removing the loose parts	68
Connection to chimney	70
Supply of combustion air	71
Installation distances	72
Installation of C620S /C620T /C660T	73
Installation of oven (option)	76
Installing convection fascia (option)	76
Installation of warming shelf (option)	77
Installation of base	77
Installation of metal base (option)	77
Installing drawer	78

NOTE:

Report the installation of a stove to your local authority.

The owner of the house is personally responsible for ensuring compliance with the mandatory safety requirements and must have the installation approved by a qualified inspector. Your local chimney sweep must also be informed about the installation as this will affect the routines for regular chimney-sweeping services.

WARNING!

The stove becomes very hot

During operation, certain surfaces of the stove become very hot and can cause burn injury if touched. Also, take heed of the strong heat radiated through the door glass. Placing flammable material closer than the safe distance indicated may cause a fire. Smoulder combustion can cause quick gas ignition with the risk of damage to property and personal injury.

Technical details

Effect	3-9 kW
Nominal effect	6 kW
Efficiency	up to 80%

Model	620S
Height (mm)	1220
Width (mm)	590
Depth (mm)	510
Weight (kg)	270

Model	620T
Height (mm)	1220
Width (mm)	590
Depth (mm)	510
Weight (kg)	270

Model	660T
Height (mm)	1220
Width (mm)	590
Depth (mm)	510
Weight (kg)	270

Type approved in accordance with:

European standard EN-13240 class 1

Swedish environmental and quality marking,
P-marking cert. no. 220306

Norwegian standard NS 3059, cert. no. 043-104

German standard DIN 18.891, R0-91 01 319

Danish standard 887-1, id no. 598

Important to remember!

Installation by authorised technician

This manual contains instructions about how the stoves must be assembled and installed. To ensure the function and safety of the stove, we recommend that the installation is carried out by an authorised technician. Contact one of our dealers who can recommend suitable fitters.

Building permission

These main instructions may give guidance which would contravene national building regulations. Please refer to supplementary instructions or ask your local authority for advice regarding building regulations. Before installing a stove or erecting a chimney it is necessary for you to make a building application permission to your local authority.

Structural support

Check that the wood joists are strong enough to bear the weight of the stove and chimney. The stove and chimney can usually be placed on a normal wooden joist in a single occupancy house, if the total weight does not exceed 400 kg.

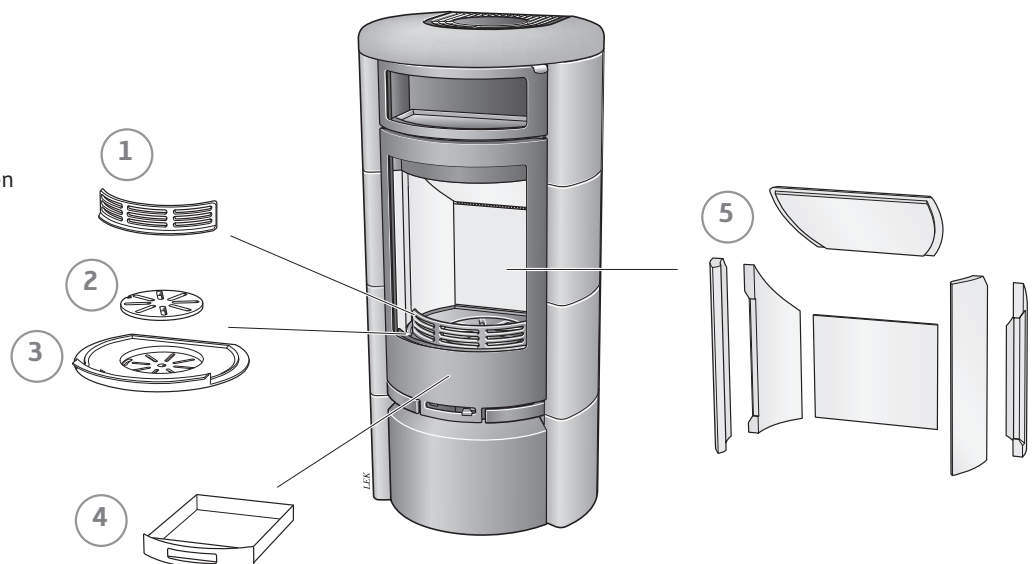
Floor plate

Due to the risk of falling embers, a combustible floor must be protected by a hearth plate which covers at least 300 mm to the front and 100 mm along each side. The hearth plate can consist of natural stone, concrete, metal or glass. A painted metal or glass hearth plate is available as an accessory for these models.

Removing the loose parts

Before the insert is put down for installing the pillar foot, loose components should be removed. When the stove is installed reinstall the components in reverse order.

- 1 Fire bars
- 2 Grate disc
- 3 Cast-iron firebed
- 4 Ash-pan
- 5 Hearth cladding (Vermiculite)



How to remove the hearth surround (Vermiculite)

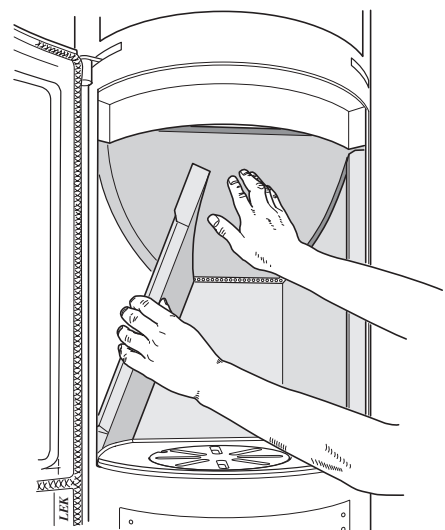
Handle the vermiculite with care. Lift the smoke baffle with one hand whilst removing the sides pieces. If necessary, move the cast-iron firebed slightly. Reinstall in reverse order

5

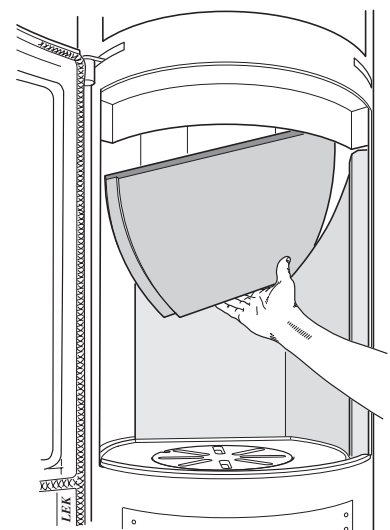
1



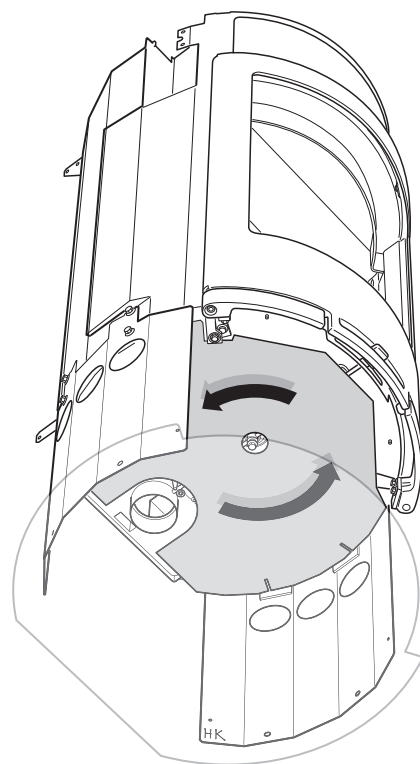
2



3



The heat reflecting plate must be fitted underneath the body of the stove if the area below is to be used as a log-box. The heat reflector can be removed by turning it to the left until it slides free from the lower set of screws holding the legs in place. The heat reflector is hooked back in place on the screws by turning it to the right.



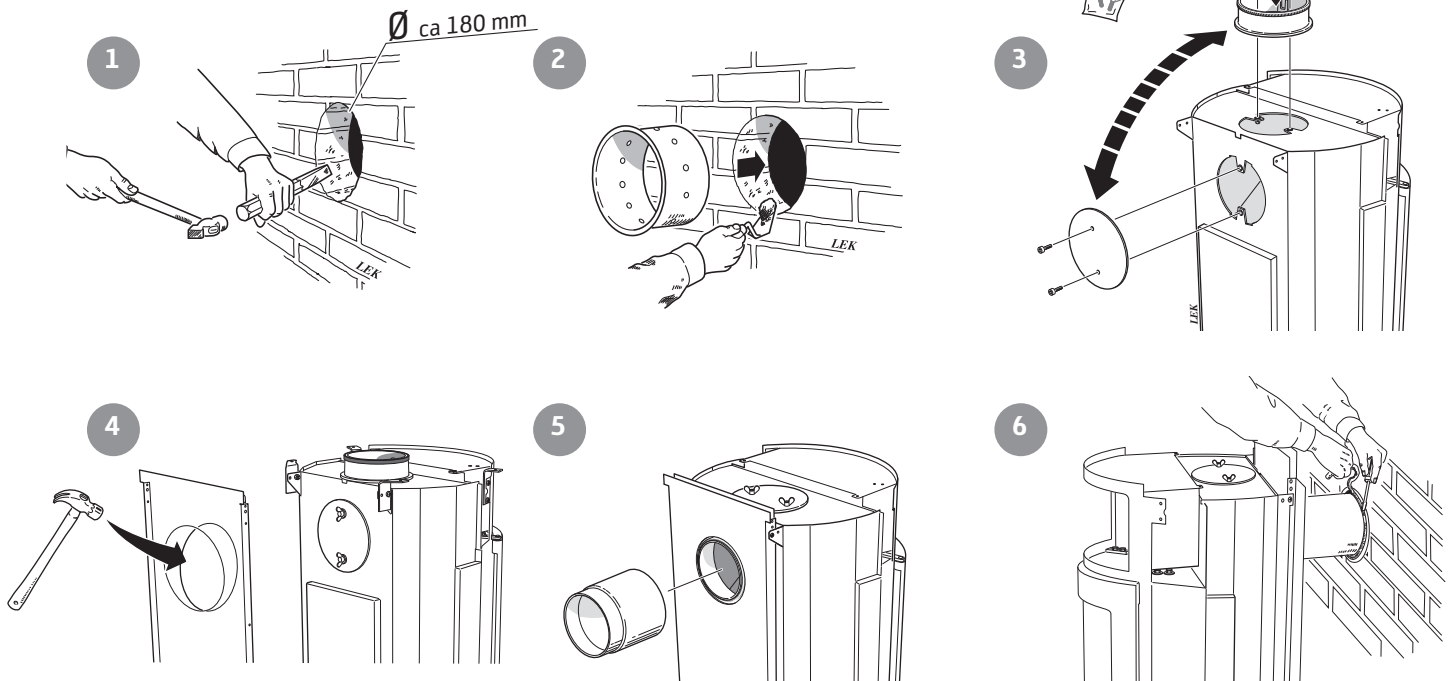
Connection to chimney

- The stove meets the requirements for connecting to chimneys dimensioned for 350°C flue gas temperature.
- The external diameter of the connection sleeve is 150 mm.
- The stove requires a draft in the chimney of at least -12 Pa. The draft is affected both by the length and area of the chimney, and by how well sealed it is. Minimum recommended chimney length is 3.5 m and suitable cross section area is 150-200 cm² (140-160 mm in diameter).
- A flue with sharp bends and horizontal routing reduces the draught in the chimney. The maximum horizontal flue is 1 m, on the condition that the vertical flue length is at least 5 m.
- It must be possible to sweep the full length of the flue and the soot doors must be easily accessible.
- Carefully check that the chimney is sealed and that there is no leakage around soot doors and flue connections.

Rear connection to a masonry chimney

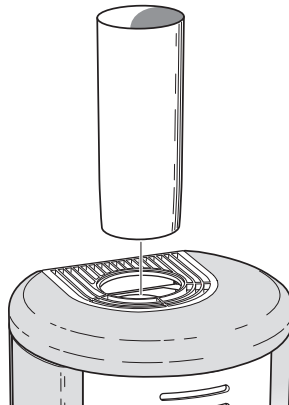
Connection to the chimney from the rear of the stove body is carried out after the back plate is installed, but before the stone surround is put into place.

In the bag with these installation instructions are two wing screws for the lid.



Top connection to the chimney

When connecting the chimney to the top of the stove body the stone surround must be installed first. Remember to install the hot air grille before top connecting.



Make sure that the connector gasket does not work loose when the connection pipe is placed on the connector. If further sealing material is required, heat-resistant sealant may be used.

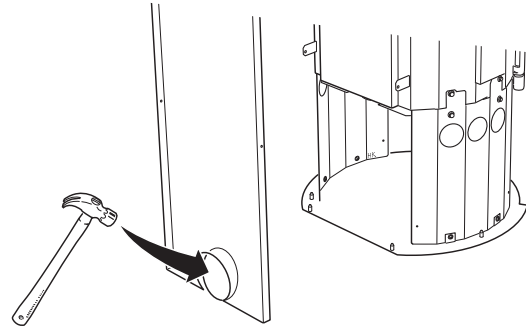
Supply of combustion air

When a stove is installed in a room, the demand for air supply to the room increases. Air can be provided indirectly via a vent in the outer wall or via a duct from the outside that is connected to the connector on the underneath of the stove. The amount of air needed for combustion is approx. 25m³/h.

The connector has an external diameter of 67 mm. When duct routing further than 1 m the pipe diameter must be increased to 100 mm and a correspondingly larger wall vent must be selected.

In hot areas the duct should be insulated with 30 mm mineral wool covered with a moisture inhibitor (plastic). It is important that the lead-in between the pipe and the wall (or floor) is sealed using jointing compound.

A 1 m length of condensation-insulated ducting for combustion air is available as an accessory.

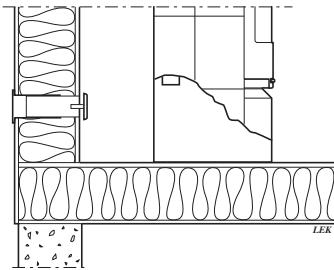


In the back and floor plates there are knockouts that must be removed to insert pipes or for air supply if the stove is equipped with a drawer, lower hatch and/or fan (accessory).

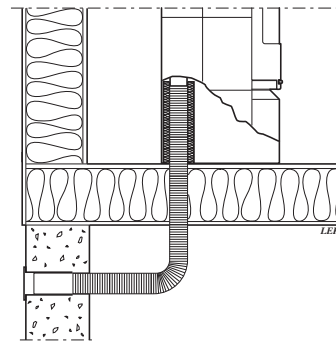


Leave a 40 mm gap between the condensation insulation and the bottom of the stove.

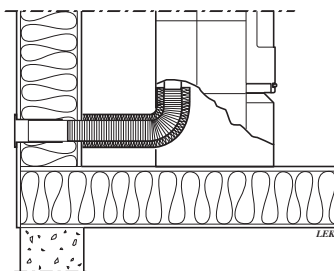
Installation variants



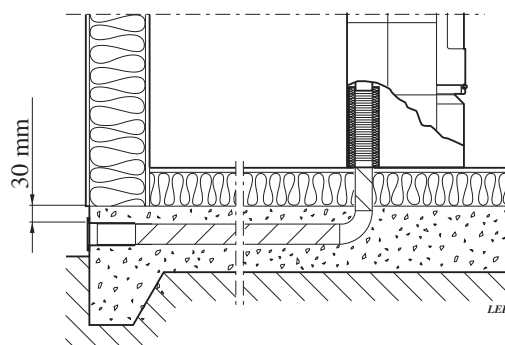
Indirect air supply through the external wall.



Through floor and wall-and-cavity foundation.



Through the external wall.



Through floor and foundation slab.

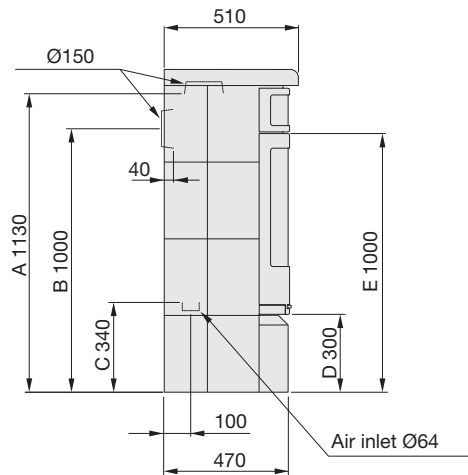
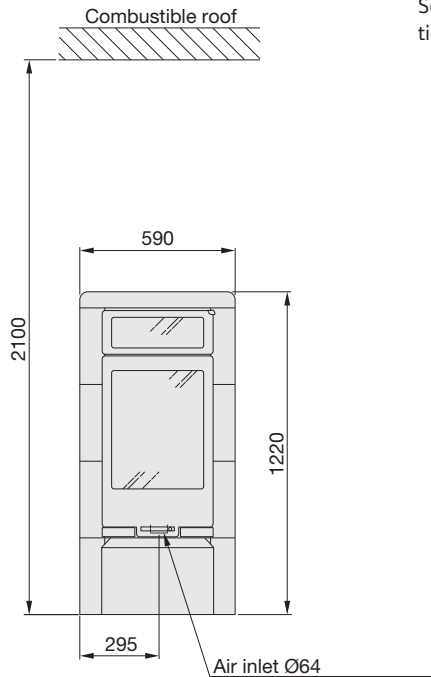
Installation distances

C 620S/ 620T/ 660T

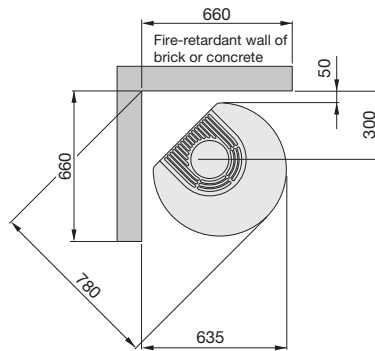
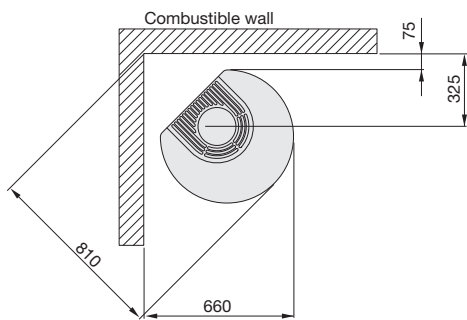
WHEN INSTALLING TURNTABLE (OPTION) the following installation distances do not apply. See the separate turntable installation instructions.

The minimum distance in front of the stove opening to combustible parts of the building or interior decoration must be at least 1 m.

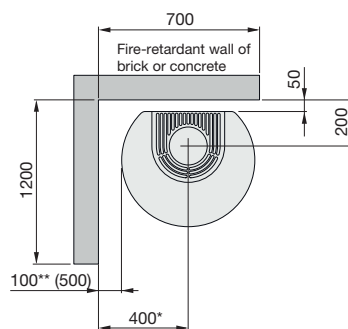
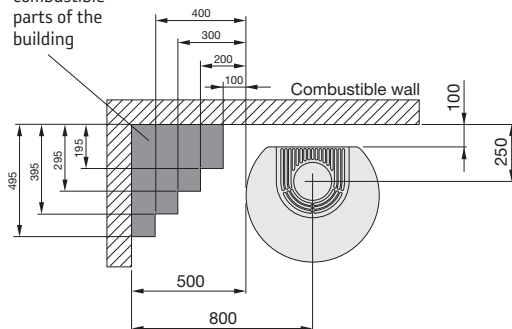
When top connecting a steel flue, please refer to the particular manufacturer's installation instructions. Observe the safety distance to combustible material required by the steel flue



- A = height from floor to chimney connection upwards
- B = height from floor to c/c chimney connection rear
- C = height from floor to air inlet
- D = height from floor to lower edge of hatch
- E = height from floor to upper edge of hatch



Permitted area for combustible parts of the building



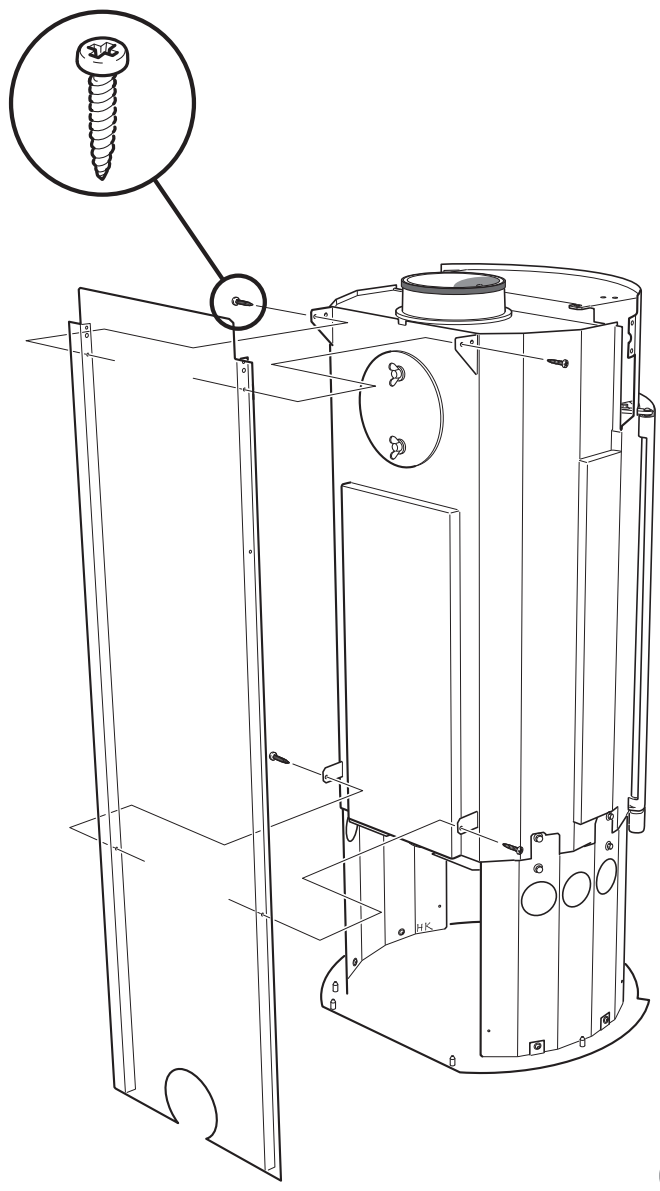
A separate glass hearth plate (accessory) increases the connection height to the chimney by 10 mm. The spacers supplied with the hearth plate are installed on the stove before connection.

* If the stove is placed on a hearth plate made of glass for example (accessory), the height from the floor is affected by a distance corresponding to the thickness of the hearth plate. Also applies to separate glass hearth plates (accessory).

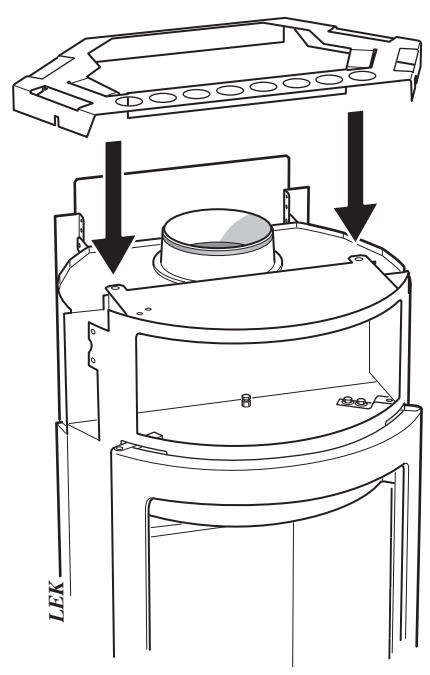
** To prevent discolouration of painted non-flammable walls we recommend that the same side distance as to combustible walls is used.

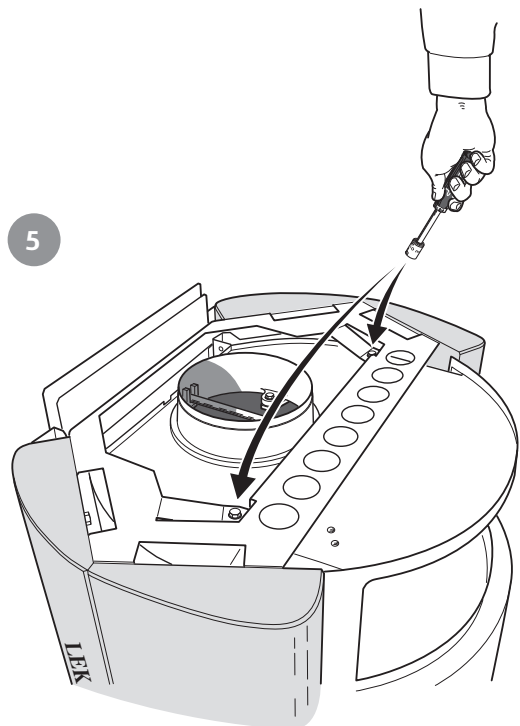
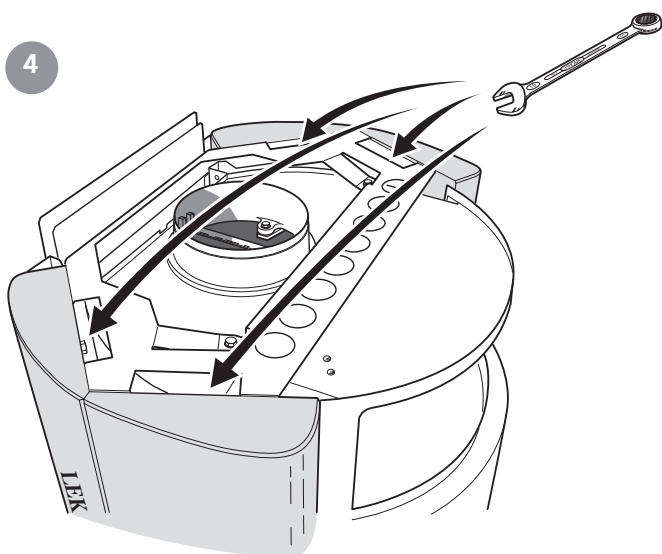
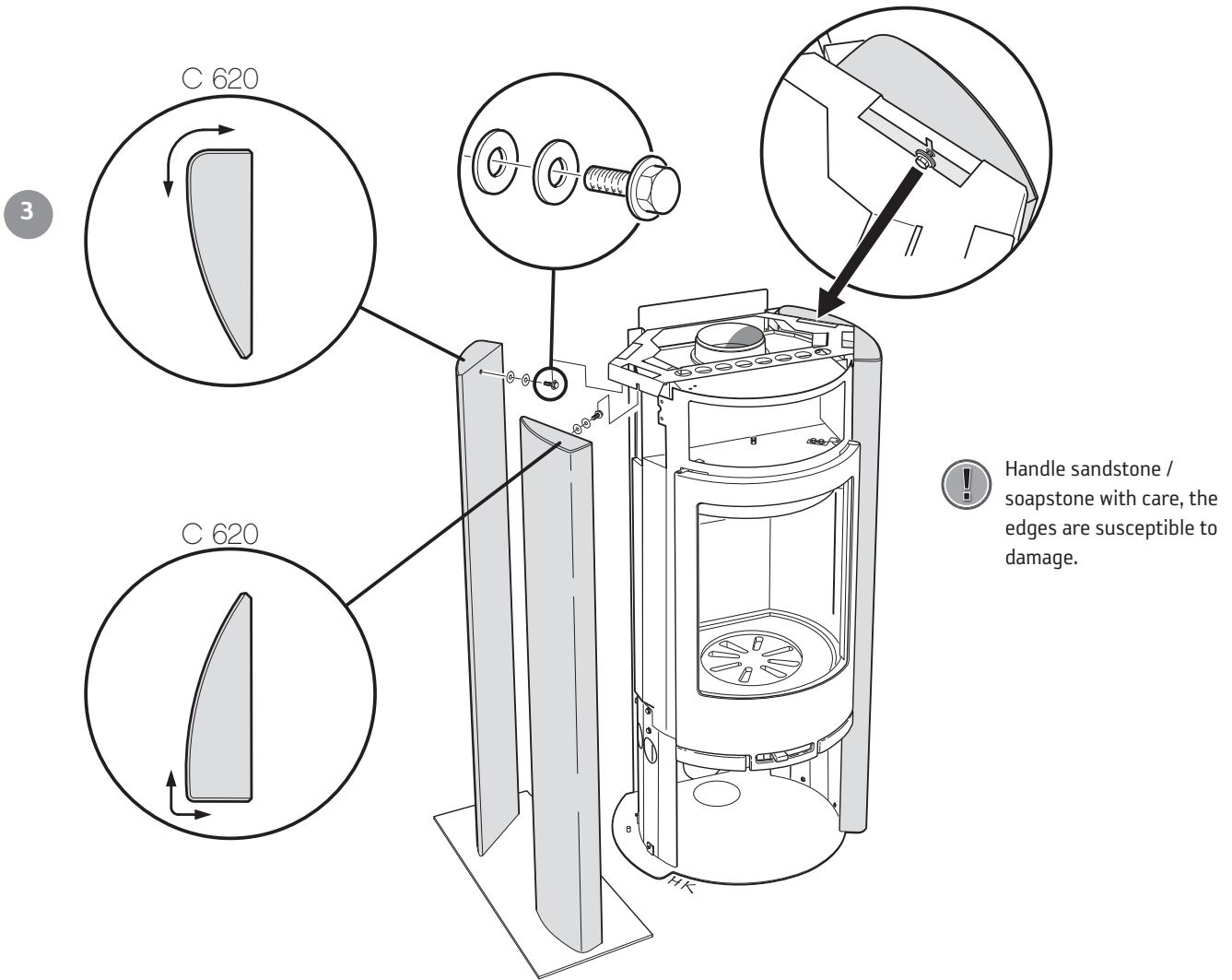
Installing C 620S, C 620T, C 660T

1



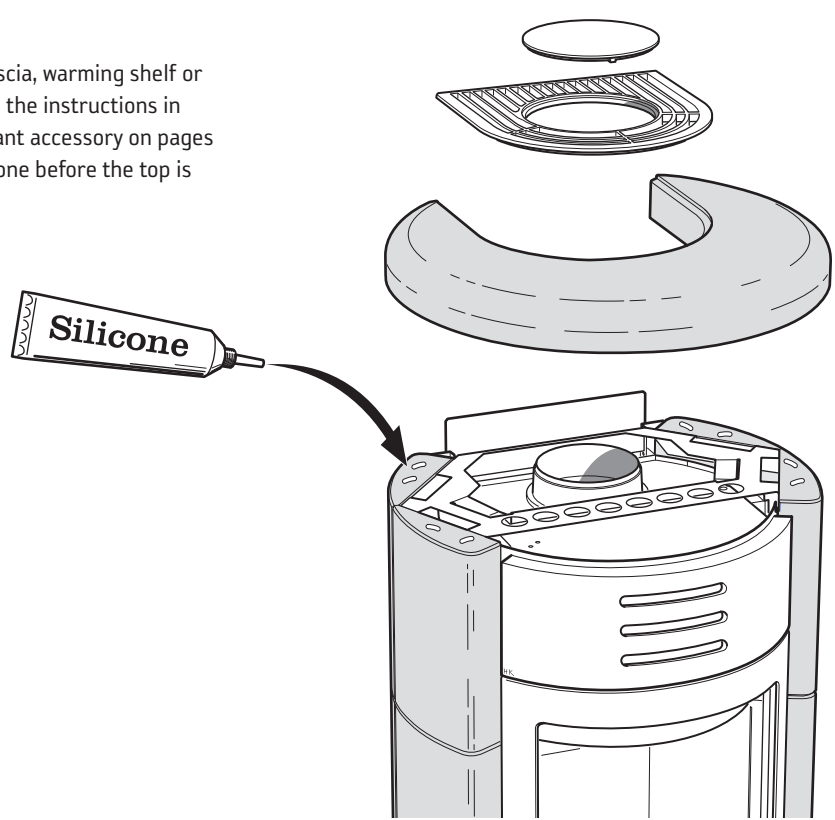
2





Install the convection fascia, warming shelf or baking oven according to the instructions in the section for the relevant accessory on pages 76 to 77. This must be done before the top is installed.

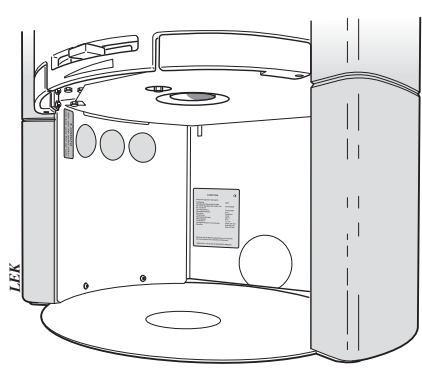
6



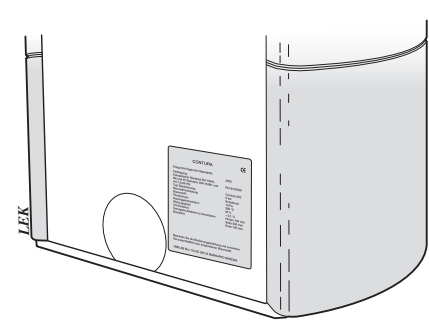
Installing rating plates

The rating plate supplied is placed on the back, either internally or externally.

Alternative 1



Alternative 2



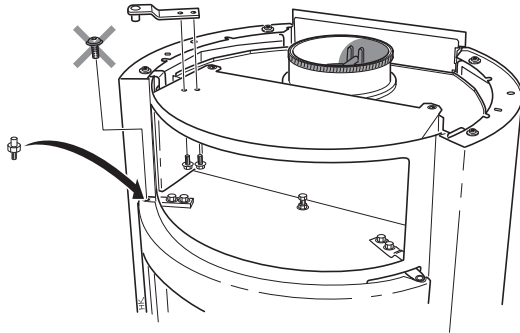
Final inspection of the installation

It is extremely important that the installation is inspected by an authorised chimney sweep before the stove is used. Also read the "Lighting instructions" before lighting for the first time.

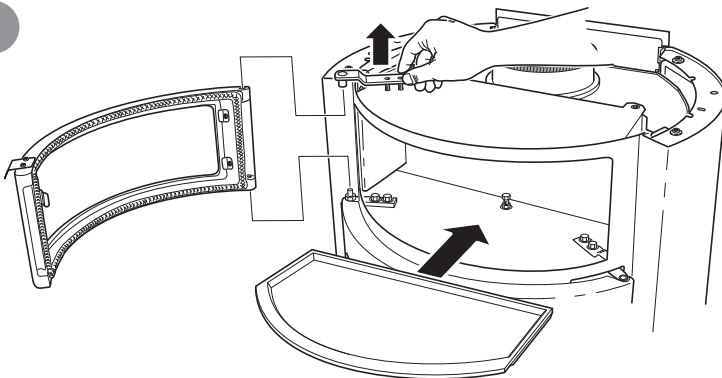


Installation of oven (option)

1



2

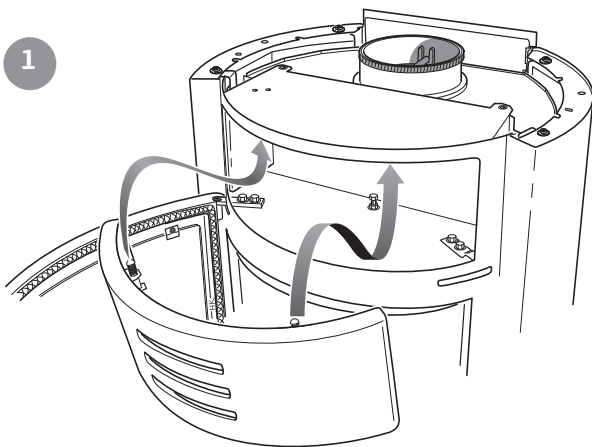


Hold the oven door in place on the threaded pin. Hook the top hinge in place and loosely tighten one of the screws. Close the oven door and adjust it so that it aligns horizontally. Then open it carefully and tighten both screws.

Place the baking sheet in the oven. If necessary, adjust the height of the baking sheet by turning the adjusting screw at the bottom of the oven unit.

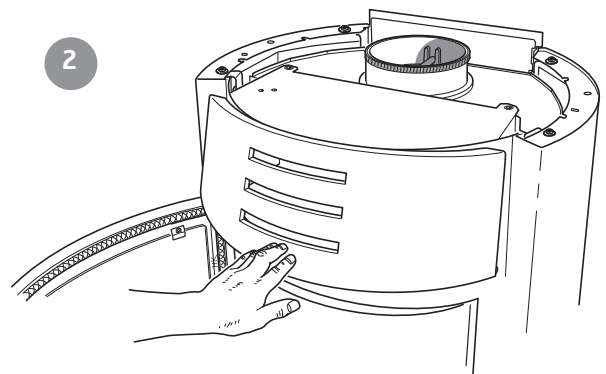
Installing convection fascia (option)

1



Open the hatch and install the convector fascia with the retaining brackets angled as shown.

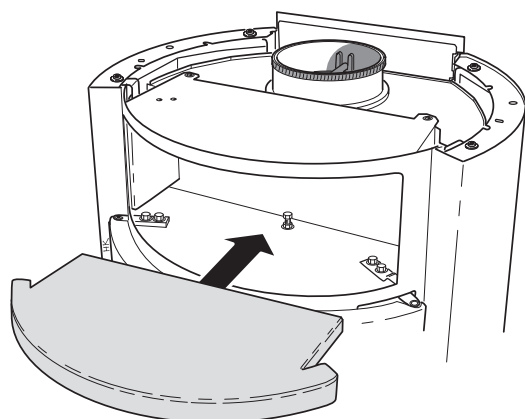
2



Insert the convection fascia upwards first so that the locking spring comes inside the front panel of the stove and push the convection fascia lightly upwards. Then press the fascia in and allow it to slide into place.

Installation of warming shelf (option)

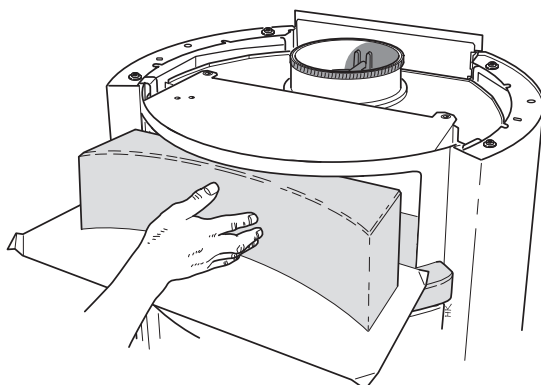
1



Place the bottom plate for the warming shelf in the heating compartment, use the adjuster screw at the rear edge for level horizontal installation.

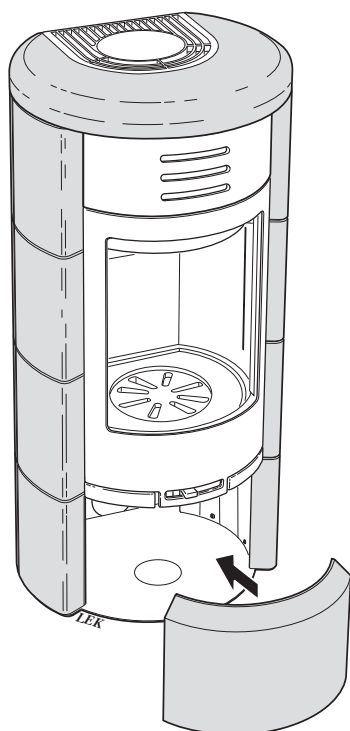
2

Only 660T



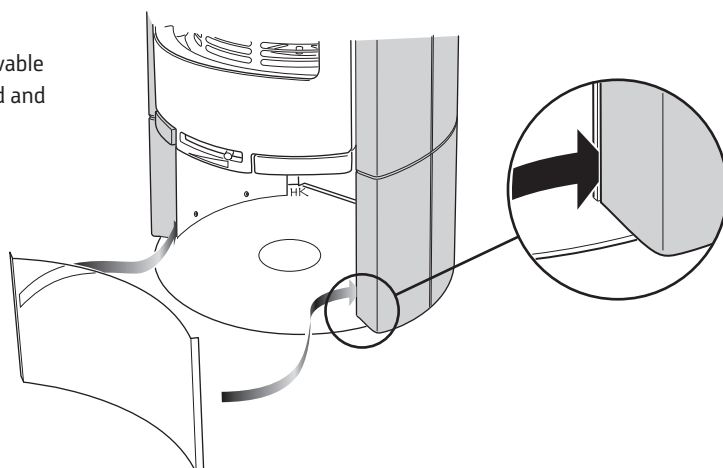
Place paper from the packaging as scratch protection because the upper section must be slid into position.

Installation of base (option)

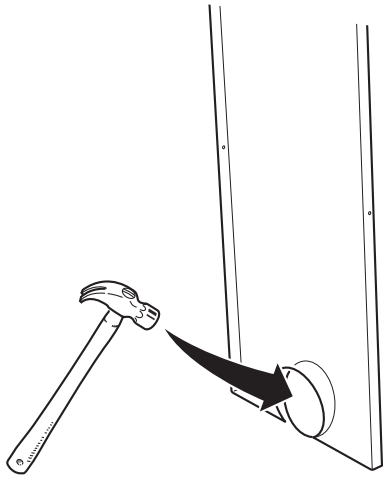


The base must be removable to clean the area behind and for service.

Installation of metal base (option)

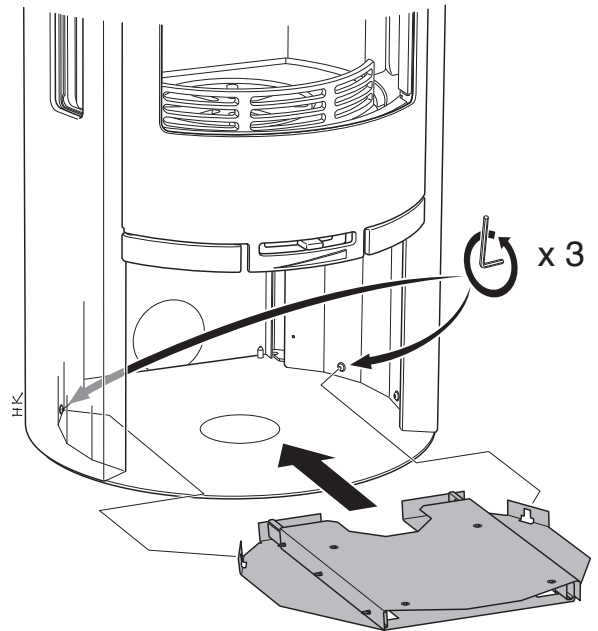


Installation of drawer (option)



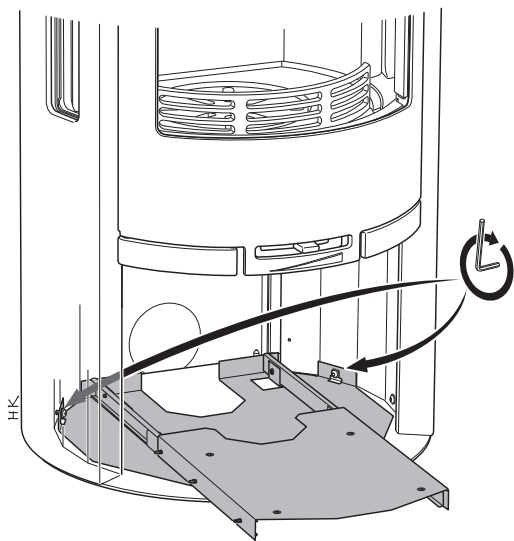
When installing the drawer, the knockout in the back panel must always be removed for the supply of convection air.

1



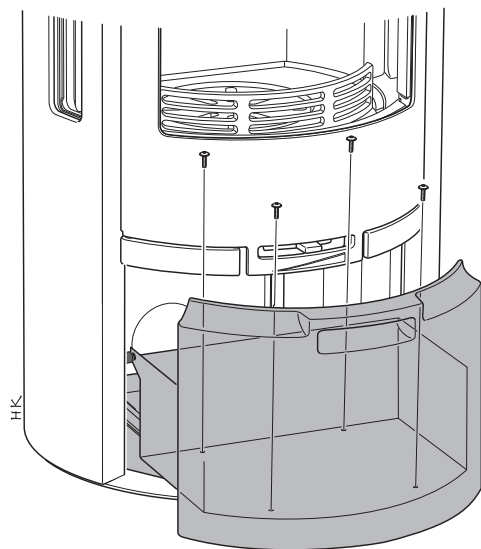
Slacken off the rear Allen screws three turns. Place the pull-out unit on the base plate.

2



Hook the pull-out unit into place over the rear Allen screws. Screw the unit into place.

3



Install the drawer on the pull-out unit using the four Allen screws. Adjust the drawer so that it is centrally positioned, then tighten the screws.

Contura

NIBE AB · Box 134 · 285 23 Markaryd · Sweden
www.contura.eu

Contura reserves the right to change colours, materials, dimensions and models at any time without special notice. Your dealer can give you the most up to date information. Stoves shown in brochures may have extra equipment.

811113 IAV SE-EX C620S/ 620T/ 660T-5
2016-09-06