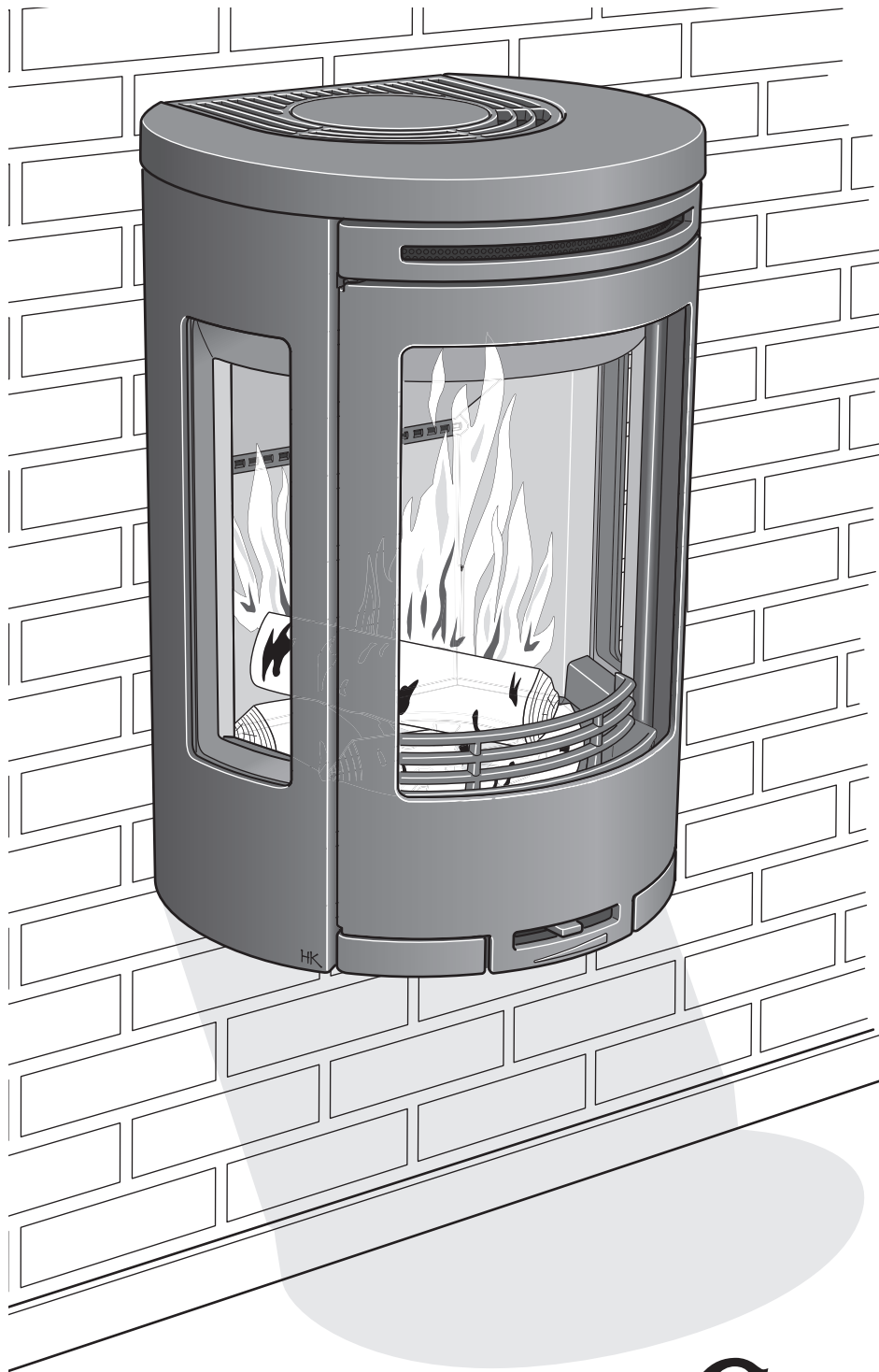


Installation instruction



C 586W

Contura

EC Declaration of conformity

Contura

MANUFACTURER

Name NIBE AB/Contura
Address Box 134, Skulptörvägen 10, SE-285 23 Markaryd
Place of manufacture Markaryd, Sweden

PRODUCT

Product type Stove fired by solid fuel
Type designation Contura
Standard SS-EN 13240
Intended for use Heating of living accomodation
Fuels Wood logs
Special conditions None

CE-MARKING

586W
Issued 2010
Nominal output 5 kW
Fuel type Wood logs
Flue gas temperature 290° C
Energy efficiency 79%
Emission of CO 0,06%

Appendix

Lighting and installation instructions



Niklas Gunnarsson
Business area manager NIBE STOVES



Manufacturer's assurance

The stove is approved by the Swedish National Testing and Research Institute, SP SITAC and fulfils the applicable rules for CE marking. Manufacture of the product has taken place in accordance with those documents that are the basis for the relevant type approval certification and the required manufacturing checks.



Contura 586W is a Swan marked wood burning stove.

NIBE was the first stove manufacturer in Sweden to commit to Swan marking stoves. The Swan mark is one aspect of our vision to be a company of the future, setting high quality standards regarding the environment. Certification number 378-001.

A warm welcome to Contura.

A warm welcome to the Contura family. We hope you will get a great deal of pleasure from your new stove. As a new owner of a Contura stove you have secured a product with timeless design and long service life. Contura also has combustion that is both environmentally friendly and efficient for the best heat production.

Read through these installation instructions carefully before installation. Read how to best light your stove in the lighting instructions.

Table of contents

Technical details	40
Prior to installation	40
Connection to chimney	42
Installation distances	43
Supply of combustion air	43
Assembly the stove	44

NOTE!

Report the installation of a stove to your local authority.

The owner of the house is personally responsible for ensuring compliance with the mandatory safety requirements and must have the installation approved by a qualified inspector. Your local chimney sweep must also be informed about the installation as this will affect the routines for regular chimney-sweeping services.

WARNING!

The stove becomes very hot

During operation, certain surfaces of the stove become very hot and can cause burn injury if touched. Be aware of the strong heat radiated through the hatch glass. Placing flammable material closer than the safe distance indicated may cause a fire. Pyre lighting can cause quick gas ignition with the risk of damage to property and personal injury.

Technical details

Output	3 – 7 kW
Nominal output	5 kW (approx. 1.5 kg wood/hour)
Efficiency, up to	79%
Connector ext.	Ø150 mm
Weight	100 kg
Width	500 mm
Depth	440 mm
Height	740 mm

Type approved in accordance with:
 European standard EN-13240 class 1
 Swedish environmental and quality marking, P-marking cert. no. 22 03 09
 Swedish type approved, cert.no. 0222/03
 Norwegian standard NS 3059, Cert. No. 043-140
 German standard DIN 18.891, R0-91 03 529
 Danish standard DS/EN 13240 plus, id no. 598

Important to remember!

Installation by authorised technician

This manual contains instructions about how the stoves must be assembled and installed. To ensure the function and safety of the stove, we recommend that the installation is carried out by an authorised technician. Contact one of our dealers who can recommend suitable technicians.

Building application

These main instructions may give guidance which would contravene national building regulations. Please refer to supplementary instructions or ask your local authority for advice regarding building regulations. Before installing a stove or erecting a chimney it is necessary for you to make a building application permission to your local authority.

Structural support

Check that the wood joists are strong enough to bear the weight of the stove and chimney. The stove and chimney can usually be placed on a normal wooden joist in a single occupancy house if the total weight does not exceed 400 kg.

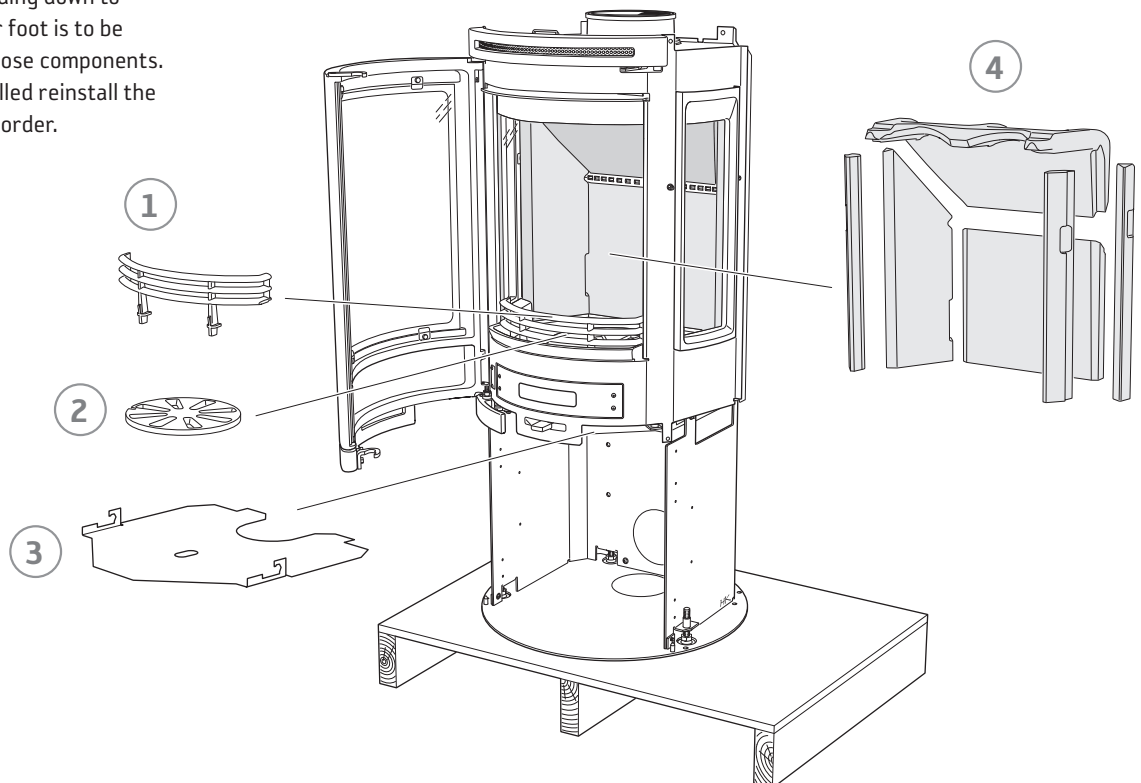
Hearth plate

Due to the risk of falling embers, a flammable floor must be protected by a hearth plate. It must extend 300 mm in front of the stove and 100 mm on each side of the stove, or have a 200 mm extension on each side of the opening. The hearth plate can consist of natural stone, concrete, metal plate or glass. A painted metal or glass hearth plate is available as an accessory for these models.

Prior to installation

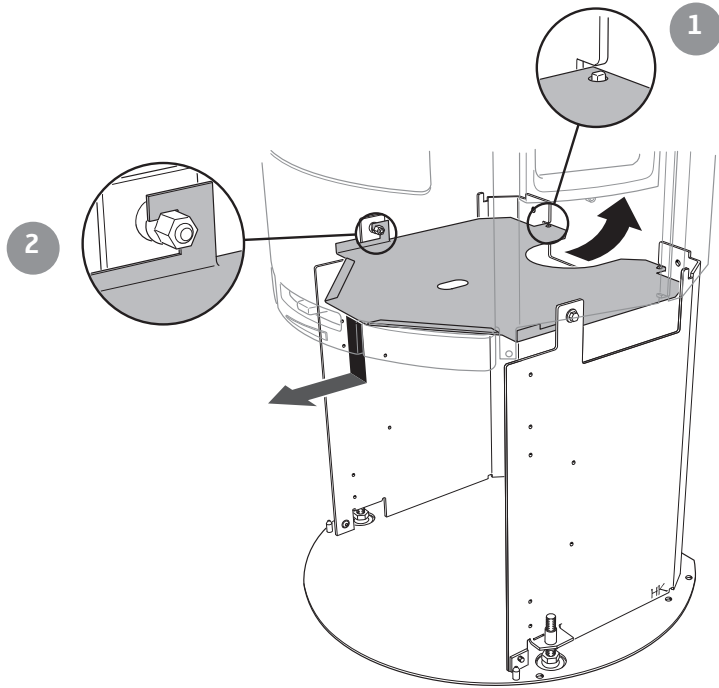
If the insert needs bedding down to be moved or if the pillar foot is to be installed, remove any loose components. When the stove is installed reinstall the components in reverse order.

- 1 Fire bars
- 2 Grate disc
- 3 Heat deflector
- 4 Hearth cladding



How to remove the heat deflector

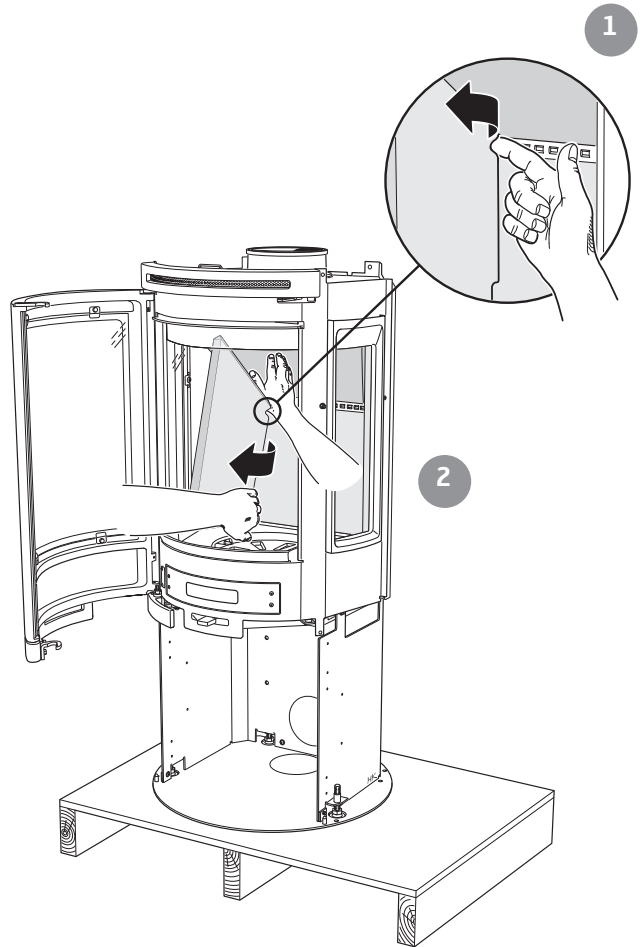
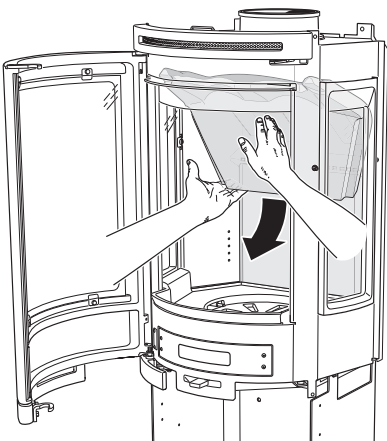
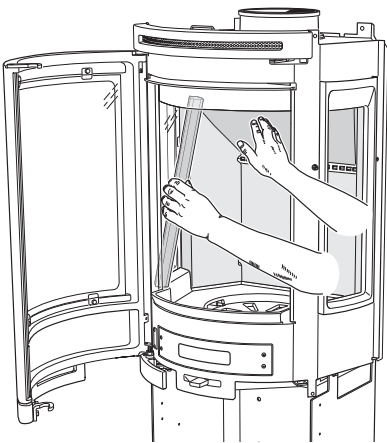
3



How to remove the hearth surround

Handle the hearth surround with care. Lift the smoke baffle with one hand whilst removing the four side parts. Reinstall in reverse order.

4

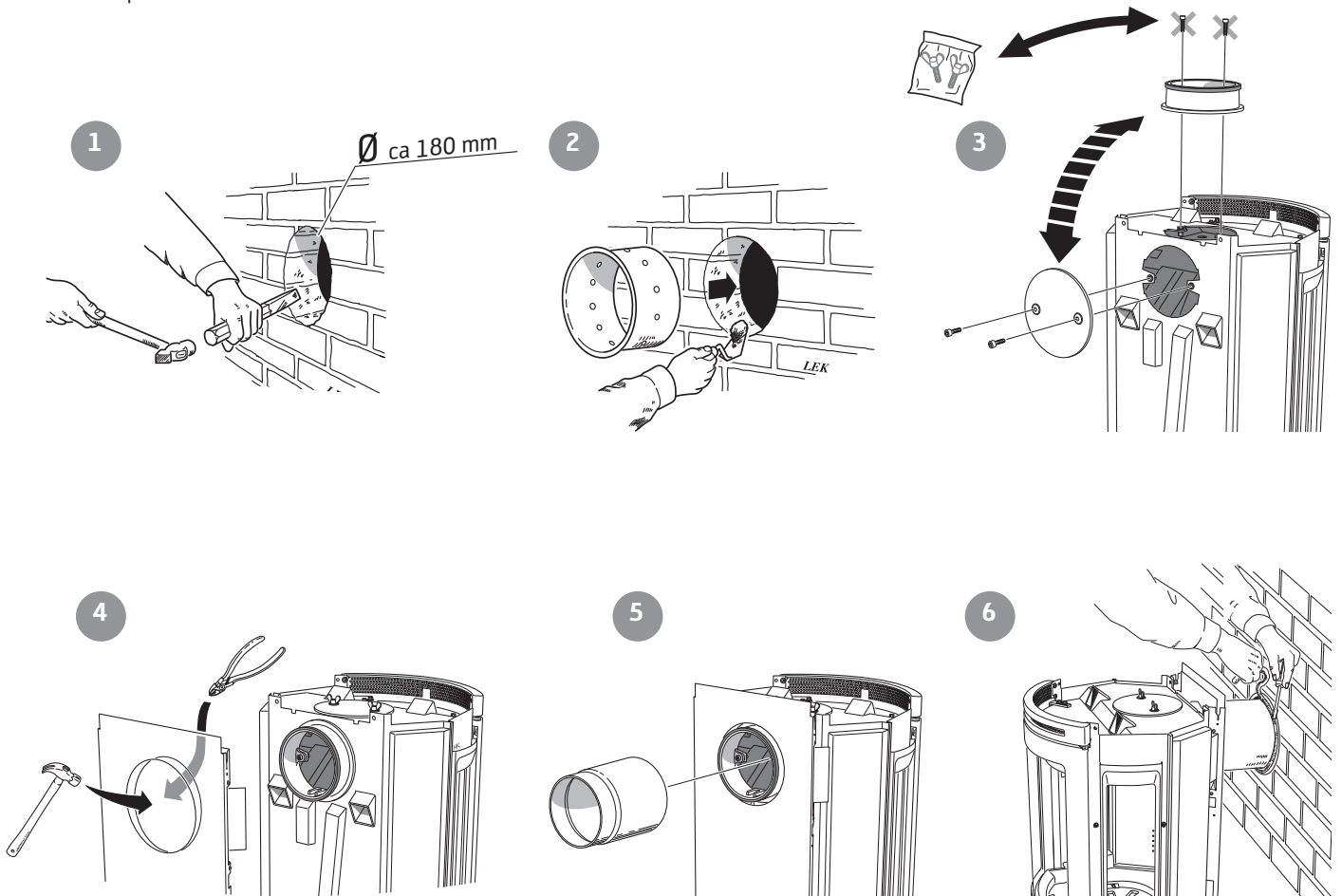


Connection to chimney

- The stove meets the requirements for connecting to chimneys dimensioned for 350°C flue gas temperature.
- The external diameter of the connection sleeve is 150 mm.
- The stove requires a draft in the chimney of at least -12 Pa. The draft is affected both by the length and area of the chimney, and by how well sealed it is. Minimum recommended chimney length is 3,5 m and a suitable cross section area is 150-200 cm² (140-160 mm in diameter).
- A flue with sharp bends and horizontal routing reduces the draught in the chimney. Maximum horizontal flue is 1 m, on the condition that the vertical flue length is at least 5 m.
- It must be possible to sweep the full length of the flue and the soot hatches must be easily accessible.
- Carefully check that the chimney is sealed and that there is no leakage around soot hatches and flue connections.

Rear connection to a masonry chimney

The back panel must be installed before the stove is rear connected.



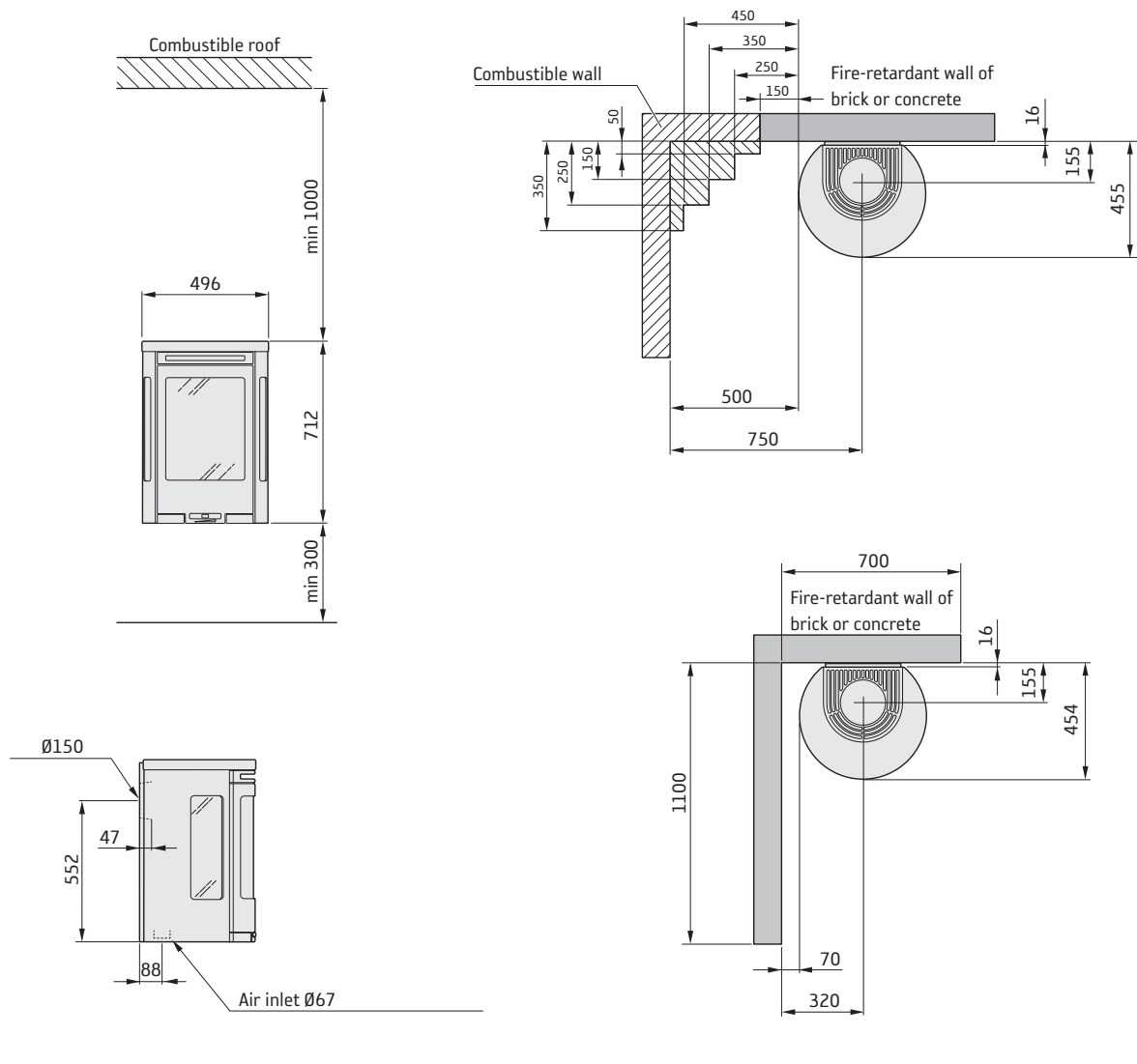
Installation distances

C 586W

Check that the installation distances in the figures are maintained. When top connecting a steel flue please refer to the relevant manufacturer's installation instructions.

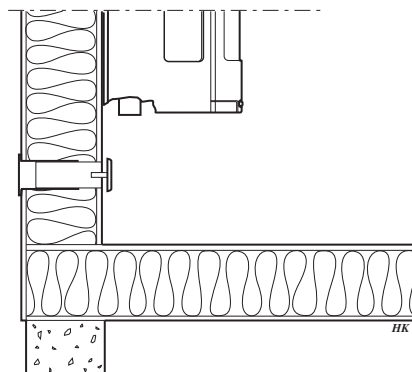
Observe the safety distances to combustible material that steel flues require.

The minimum distance in front of the stove opening to combustible parts of the building or interior decoration must be at least 1 m.



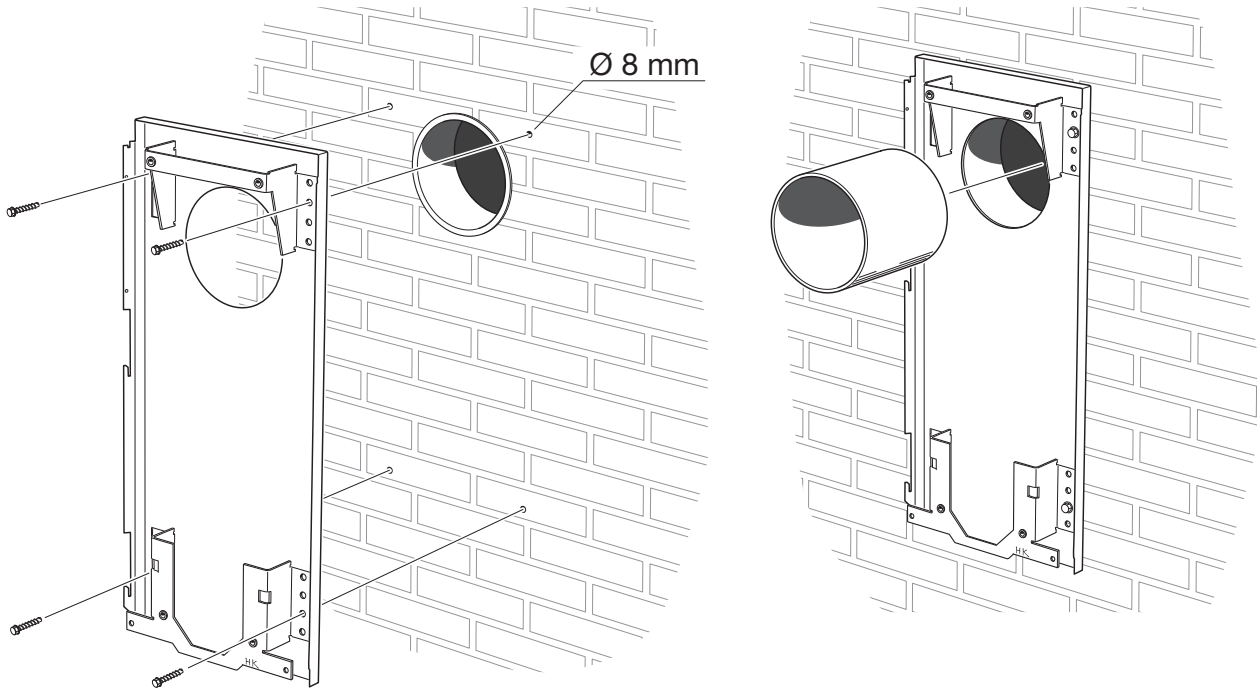
Supply of combustion air

Combustion air can be supplied via a duct from outside, or indirectly via a vent in the outer wall of the room where the stove is to be placed. The amount of combustion air that is used for combustion is approx. 25m³/h.



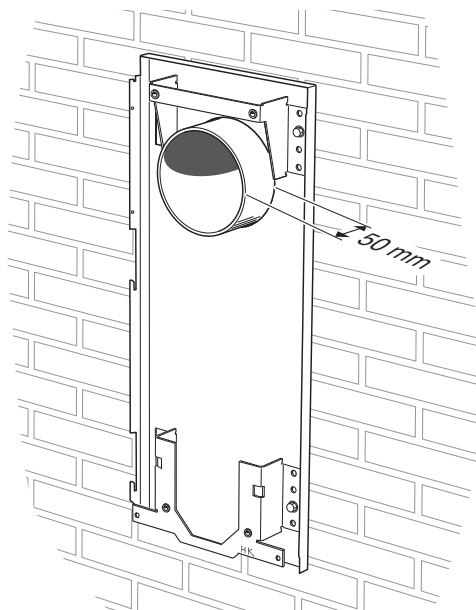
Indirect air supply through the external wall.

Assembling the stove

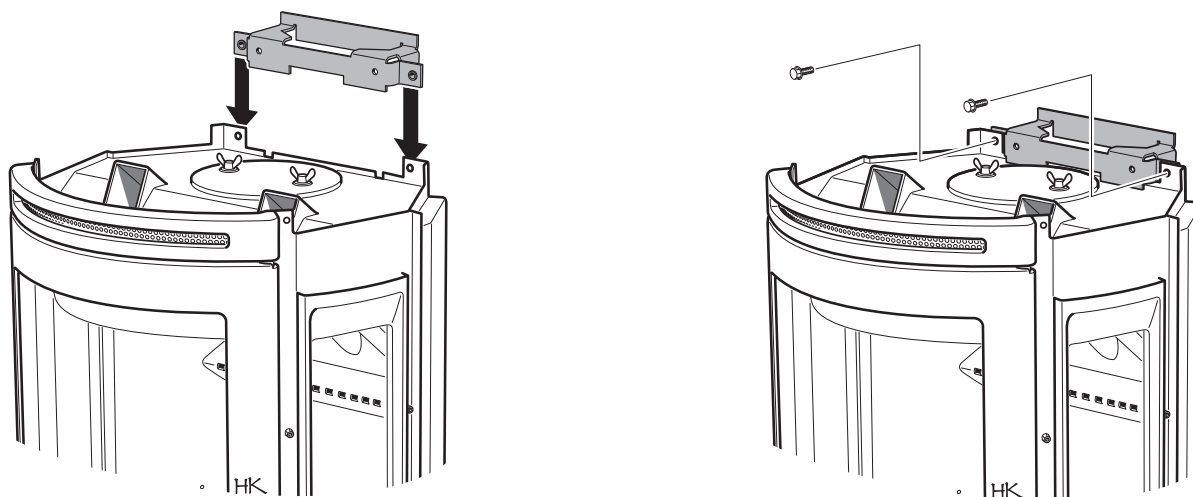


Place the back plate opposite the connector. Check that the back plate is vertical and mark the mounting holes you wish to use. Select holes so that it is as far away from any joints as possible. Pre-drill the hole using an 8mm concrete drill; the hole must be at least 80 mm deep. Clean the hole carefully and screw the back plate to the chimney breast using the 4 supplied concrete screws. Screws that do not tighten must be considered useless and be moved to new holes.

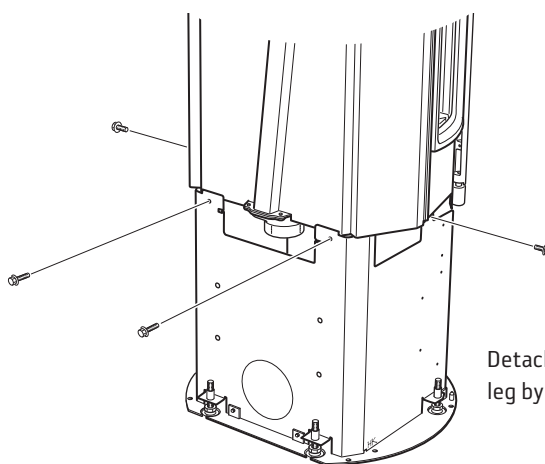
Insert the connection pipe into the wall connector towards the folded tabs.



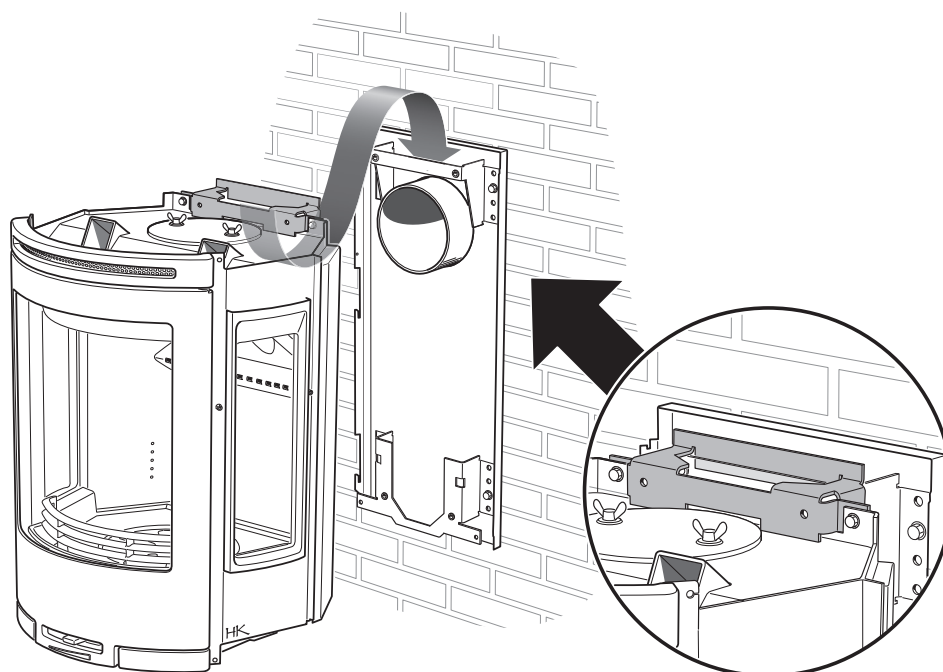
Check that the pipe protrudes 50 mm from the back plate and caulk between the connection pipe and the connector in the wall using caulking rope. If further sealing material is required, heat-resistant sealant may be used



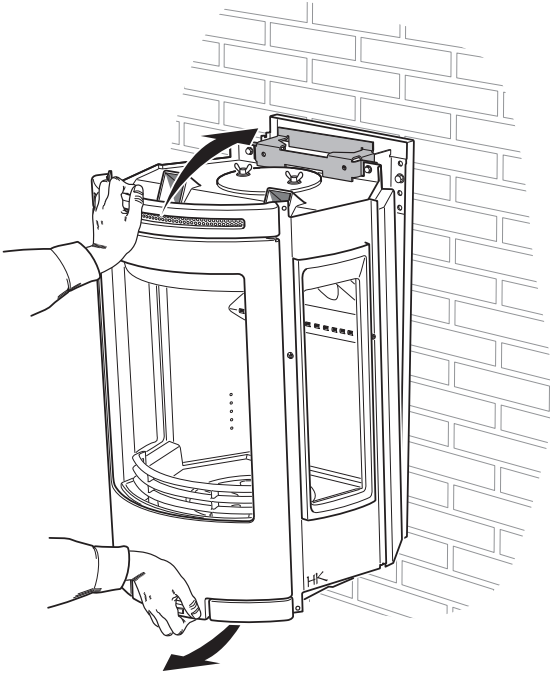
Install the suspension brackets on the stove body using 2 screws.



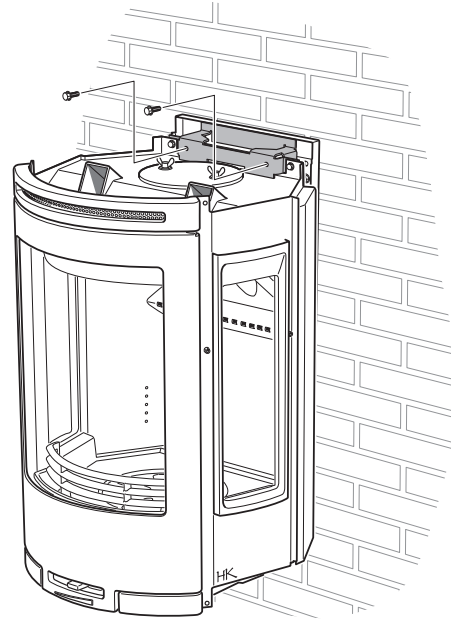
Detach the stove body from the leg by unscrewing the 4 screws.



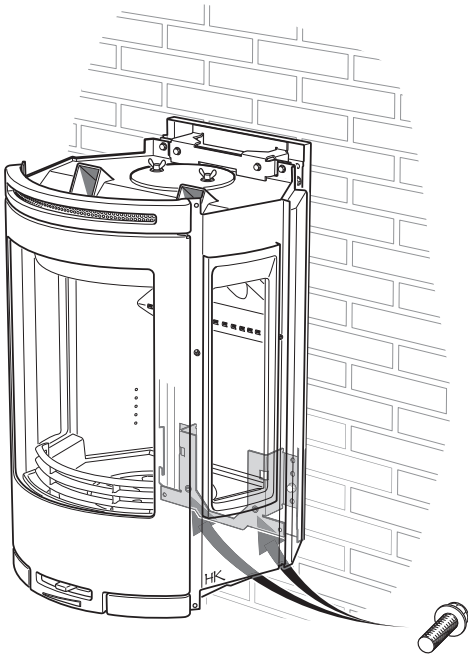
Lift the stove body from the leg and suspend the brackets on the body above the back plate's upper mounting angle.



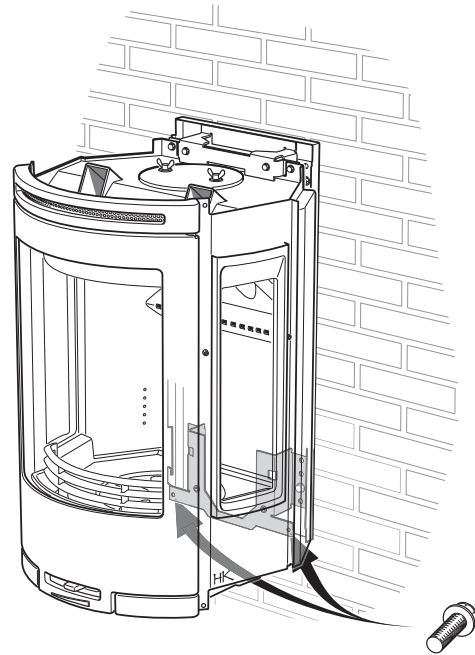
Lyft ut nederkanten av insatsen så att insatsen är lodrät. För in insatsen mot rygglådan så att kaminstosen skjuts in i anslutningsröret.



Lås fast insatsen med 2 skruvar i ovkant.



Kontrollera att insatsen hänger lodrät. Vid behov kan insatsen justeras framåt i nederkant med hjälp av två justerskruvar i nederkant.

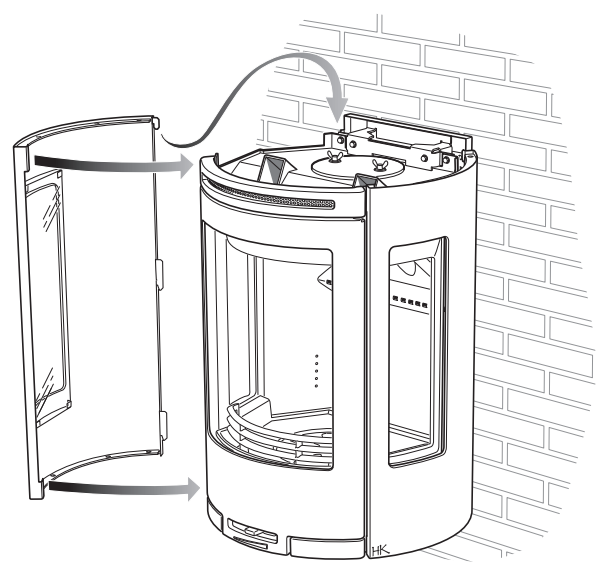


Lås fast insatsen med 2 skruvar i nederkant.

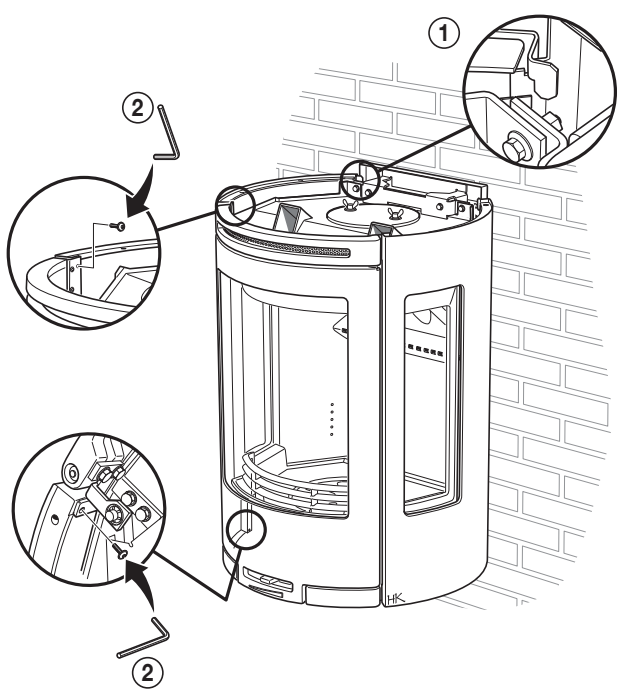


Final inspection of the installation

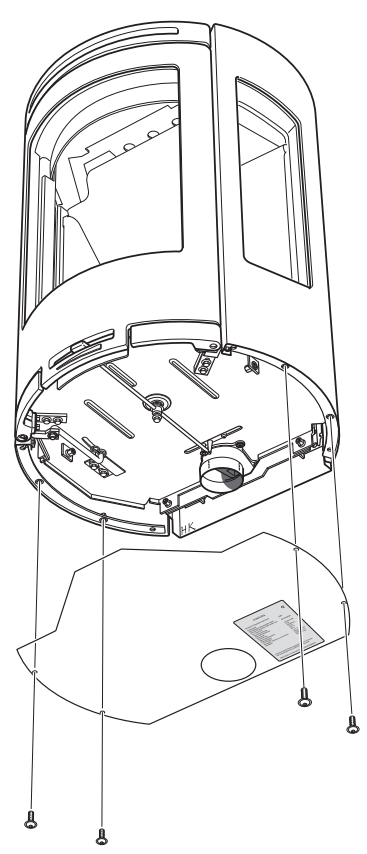
It is extremely important that the installation is inspected by an authorised chimney sweep before the stove is used. Also read the "Lighting instructions", before lighting for the first time.



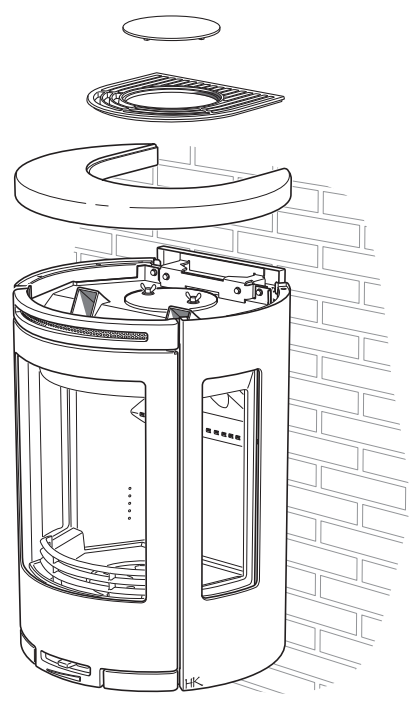
Hook the side plate into the back plate and turn the front edge in towards the stove body.



Secure the side panel at the front edge using a screw at the upper edge and a screw at the lower edge.



Place the type plates with production number and installation distances on the under side of the protective plate. Then screw the protective plate securely into place with the plates turned downwards.



Assembling the stove top

Lay the soap stone top (or Steel top, cast iron top) in place, remember to handle with care. Finish by placing the hot air grille and cover on the soap stone top.

811144 IAV SE-EX C586W-3
2014-01-09

Contura

NIBE AB · Box 134 · 285 23 Markaryd · Sweden
www.contura.eu

Contura reserves the right to change colours, materials,
dimensions and models at any time without special notice.
Your dealer can give you the most up to date information.
Stoves shown in brochures may have optional extras.