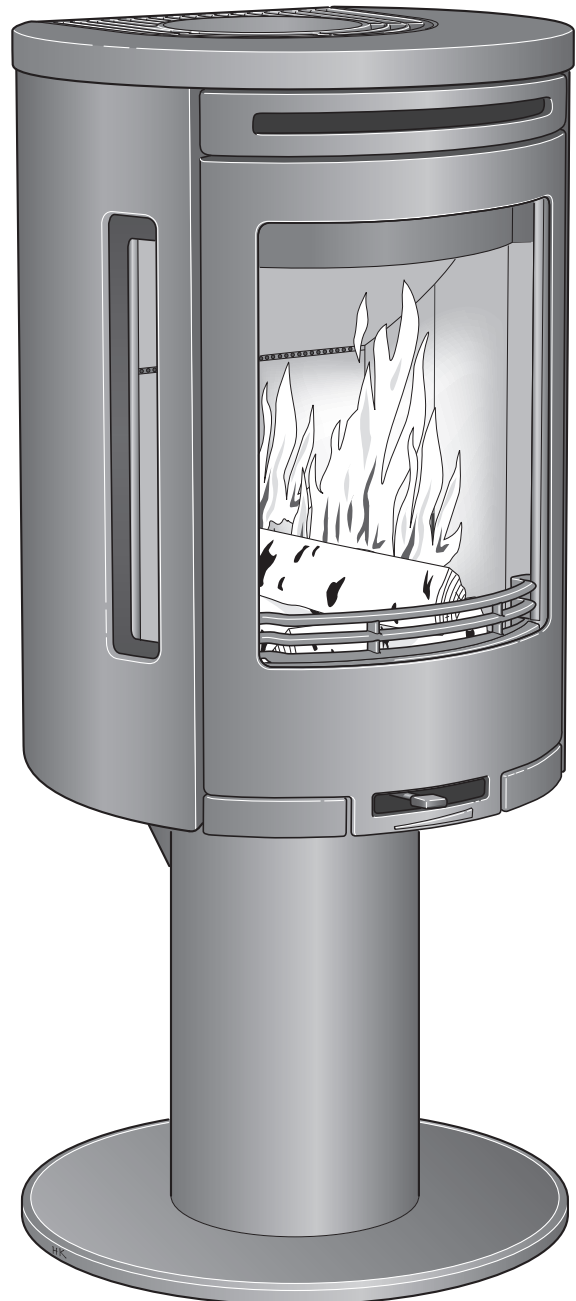
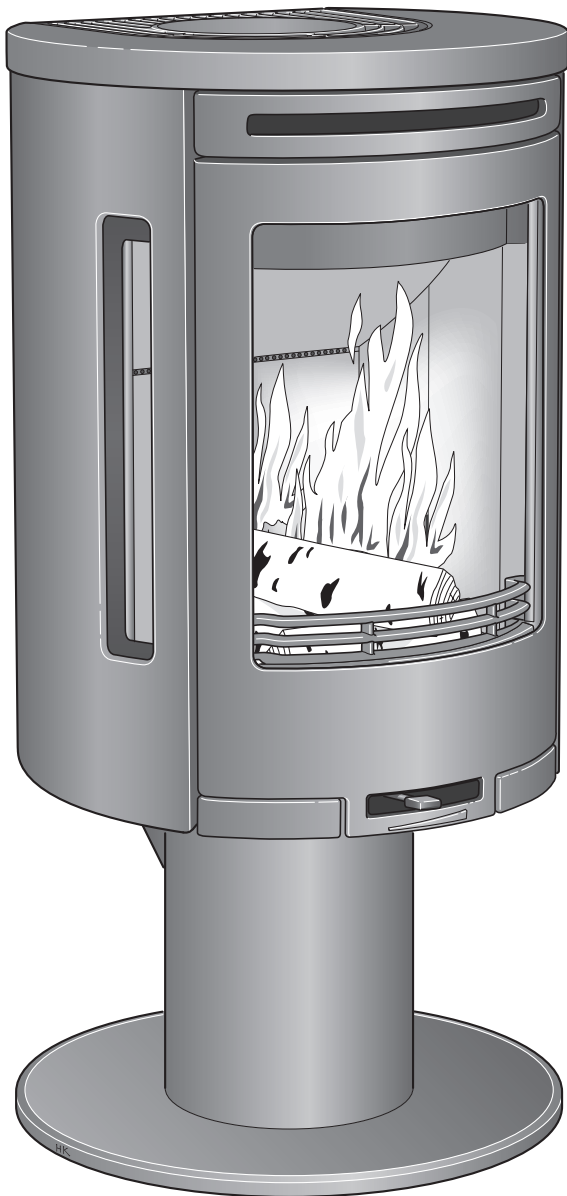


# Installation instruction



C 580  
C 585

*Contura*

## EC Declaration of conformity

# Contura

### MANUFACTURER

Name NIBE AB / Contura  
 Address Box 134, Skulptörvägen 10, SE-285 23 Markaryd  
 Place of manufacture Markaryd, Sweden

### PRODUCT

Product type Stove fired by solid fuel  
 Type designation Contura 580/585  
 Standard EN 13240 annex ZA  
 Intended for use Heating of living accomodation  
 Fuels Wood logs  
 Special conditions None

### CE-MARKING

Issued 2010  
 Nominal output 5 kW  
 Fuel type Wood logs  
 Flue gas temperature 290° C  
 Energy efficiency 79%  
 Emission of CO 0,06%

### Appendix

Lighting and installation instructions



Niklas Gunnarsson  
 Business area manager NIBE STOVES



### Quality approval

The stove has been tested by the Swedish National Testing and Research Institute and meets the applicable regulations for CE marking and the stricter requirements for P marking. Manufacture of the product has taken place in accordance with those documents which are the basis for the relevant type approval certification and the required manufacturing checks. The chimney must be dimensioned for at least 350° C for both top connection directly upwards and connection directly backwards from the rear of the stove.



### Contura 580/585 is a Swan labelled stove.

NIBE was the first stove manufacturer in Sweden to commit to Swan labelling their stoves. The Swan label is one aspect of our vision to be a company of the future, setting high quality standards regarding the environment. Certification number 378-001.

## A warm welcome to Contura

A warm welcome to the Contura family. We hope you will get a great deal of pleasure from your new stove. As a new owner of a Contura stove, you have secured a product with timeless design and long service life. Contura also has a combustion process that is both environmentally friendly and efficient, for the best heat production.

Read through these installation instructions carefully before installation. Read how to best light your stove in the lighting instructions.

## List of Contents

Technical details	52
Removing the loose parts	52
Connection to chimney	54
Supply of combustion air	55
Installation distance 586	56
Installing 586	57

### **NOTE:**

#### **Report the installation of a stove to your local authority.**

The owner of the house is personally responsible for ensuring compliance with the mandatory safety requirements and must have the installation approved by a qualified inspector. Your local chimney sweep must also be informed about the installation as this will affect the routines for regular chimney-sweeping services.

### **WARNING!**

#### **The stove becomes very hot**

During operation, certain surfaces of the stove become very hot and can cause burn injury if touched. Also, take heed of the strong heat radiated through the door glass. Placing flammable material closer than the safe distance indicated may cause a fire. Smoulder combustion can cause quick gas ignition with the risk of damage to property and personal injury.

## Technical details

Effect	3-7kW
Nominal effect	5 kW
Efficiency	up to 79%

<b>Model</b>	<b>580</b>
Height (mm)	1040
Width (mm)	496 (foot Ø510)
Depth (mm)	440 (foot Ø510)
Weight (kg)	100

<b>Model</b>	<b>585</b>
Height (mm)	1156
Width (mm)	496 (foot Ø510)
Depth (mm)	440 (foot Ø510)
Weight (kg)	100

### Type approved in accordance with:

European standard EN-13240

Swedish environmental and quality marking,  
P-marking cert. no. 220309

Norwegian standard NS 3059, SINTEF 043-140

German standard Plus, RRF-40 10 2253

## Important to remember!

### Installation by authorised technician

This manual contains instructions about how the stoves must be assembled and installed. To ensure the function and safety of the stove, we recommend that the installation is carried out by an authorised technician. Contact one of our dealers who can recommend suitable fitters.

### Building permission

These main instructions may give guidance which would contravene national building regulations. Please refer to supplementary instructions or ask your local authority for advice regarding building regulations. Before installing a stove or erecting a chimney it is necessary for you to make a building application permission to your local authority.

### Structural support

Check that the wood joists are strong enough to bear the weight of the stove and chimney. The stove and chimney can usually be placed on a normal wooden joist in a single occupancy house, if the total weight does not exceed 400 kg.

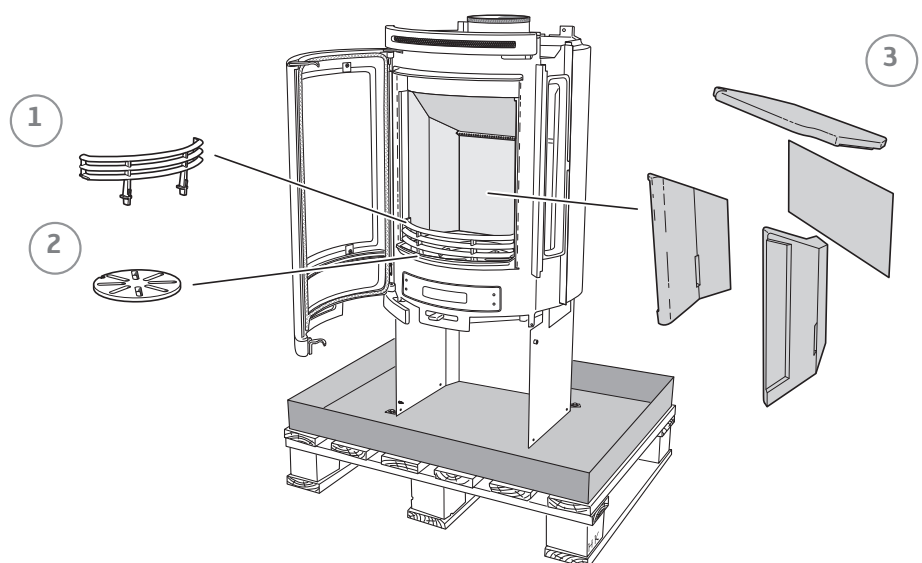
### Floor plate

Due to the risk of falling embers, a combustible floor must be protected by a hearth plate which covers at least 300 mm to the front and 100 mm along each side. The hearth plate can consist of natural stone, concrete, metal or glass. A painted metal or glass hearth plate is available as an accessory for these models.

## Removing the loose parts

Before the insert is put down for installing the pillar foot, loose components should be removed. When the stove is installed reinstall the components in reverse order.

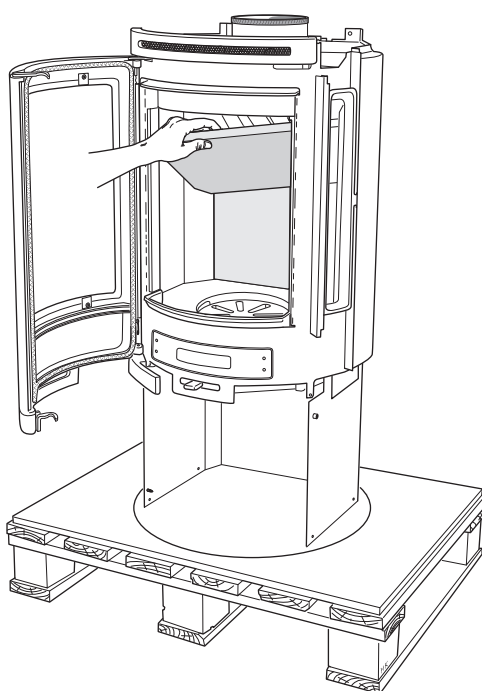
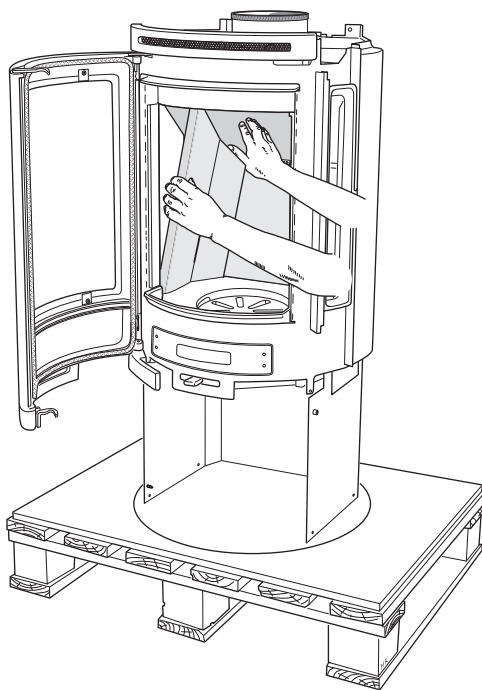
- 1 Fire bars
- 2 Grate disc
- 3 Hearth cladding (Vermiculite).



## How to remove the hearth surround (Vermiculite)

Handle the vermiculite with care. Lift the smoke baffle with one hand whilst removing the sides pieces. Reinstall in reverse order

3

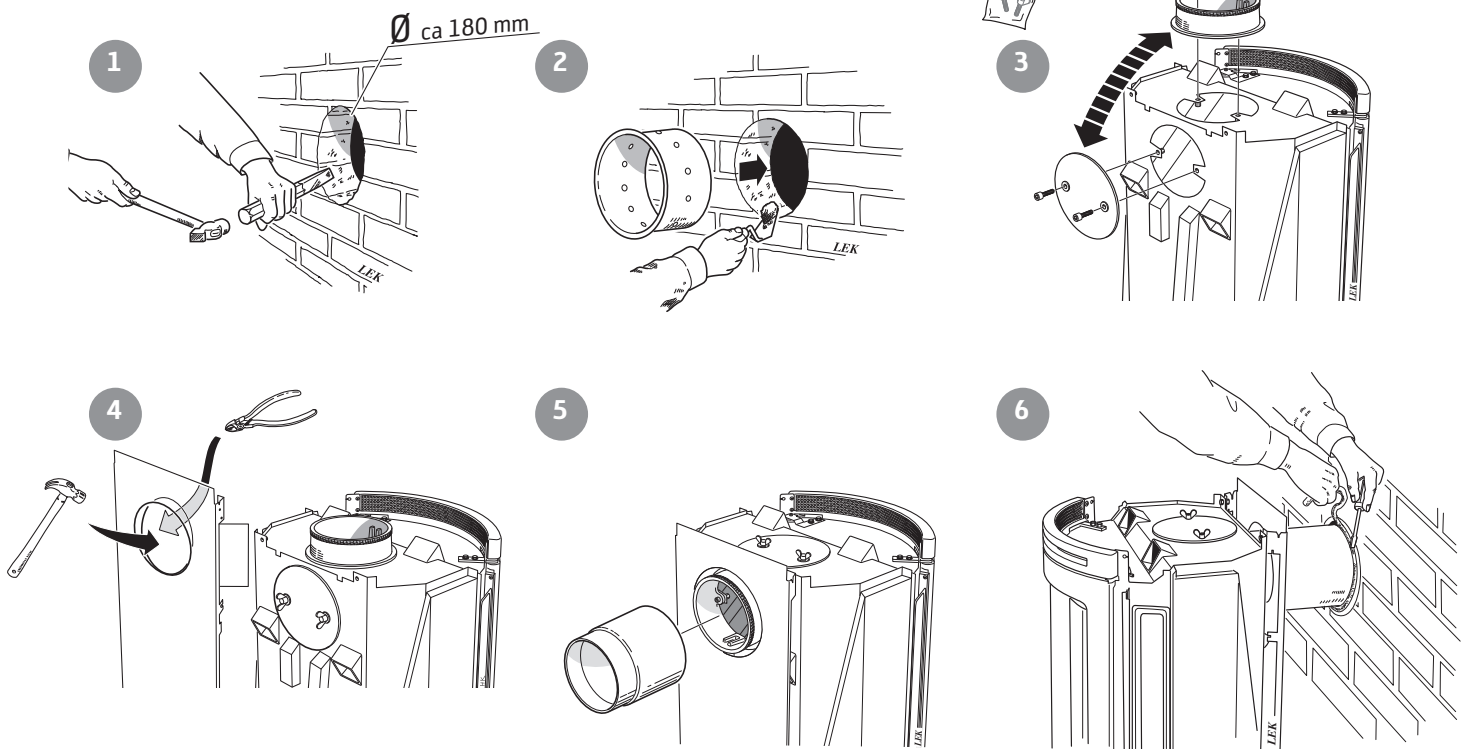


## Connection to chimney

- The stove meets the requirements for connecting to chimneys dimensioned for 350°C flue gas temperature.
- The external diameter of the connection sleeve is 150 mm.
- The stove requires a draft in the chimney of at least -12 Pa. The draft is affected both by the length and area of the chimney, and by how well sealed it is. The minimum recommended chimney length is 3.5 m and suitable cross sectional area is 150-200 cm<sup>2</sup> (140-160 mm in diameter).
- A flue with sharp bends and horizontal routing reduces the draught in the chimney. The maximum horizontal flue is 1 m, on the condition that the vertical flue length is at least 5 m.
- It must be possible to sweep the full length of the flue and the soot doors must be easily accessible.
- Carefully check that the chimney is sealed and that there is no leakage around soot doors and flue connections.

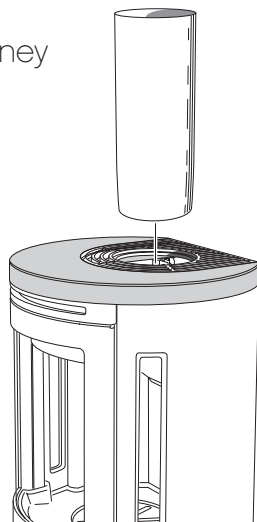
### Rear connection to a masonry chimney

The back panel must be installed before the stove is rear connected.



### Top connection to the chimney

The hot air grille must be installed before chimney top connection.



Make sure that the connector gasket does not work loose when the connection pipe is placed on the connector. If further sealing material is required, heat-resistant sealant may be used.

## Supply of combustion air

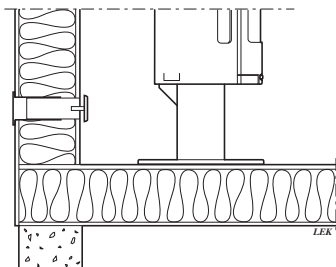
When a stove is installed in a room, the demand for air supply to the room increases. Air can be provided indirectly via a vent in the outer wall or via a duct from the outside that is connected to the connector on the underneath of the stove. The amount of air needed for combustion is approx.  $25\text{m}^3/\text{h}$ .

The connector has an external diameter of 67 mm. When duct routing further than 1 m the pipe diameter must be increased to 100 mm and a correspondingly larger wall vent must be selected.

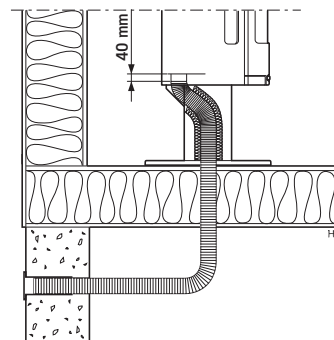
In hot areas the duct should be insulated with 30 mm mineral wool covered with a moisture inhibitor (plastic). It is important that the lead-in between the pipe and the wall (or floor) is sealed using jointing compound.

A 1 m length of condensation-insulated ducting for combustion air is available as an accessory.

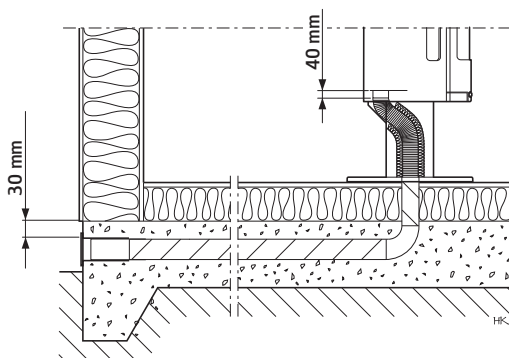
### Installation variants



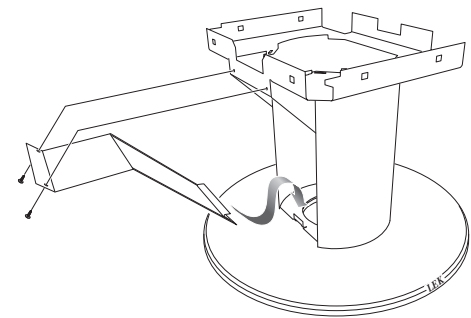
Indirect air supply through the external wall.



Through floor and wall-and-cavity foundation.



Through floor and foundation slab.



### C 580/585

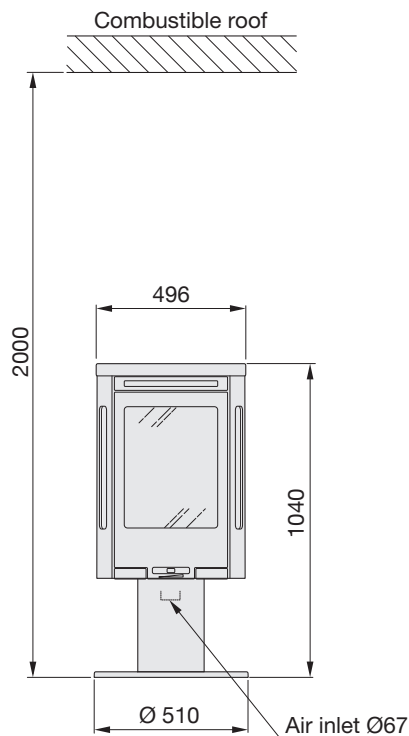
There is a detachable cover on the reverse of the pillar foot which is removed when installing combustion air connection.



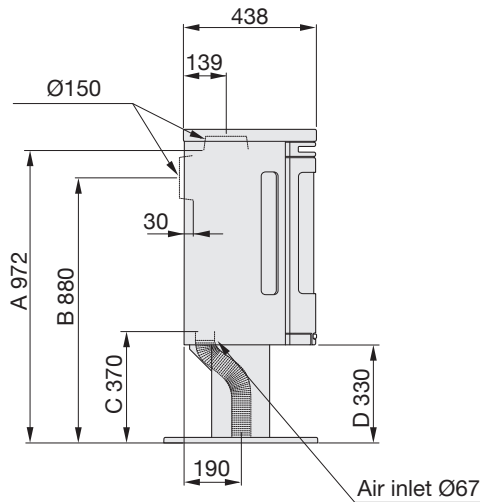
Leave a 40 mm gap between the condensation insulation and the bottom of the stove.

## Installation distances

## C 580



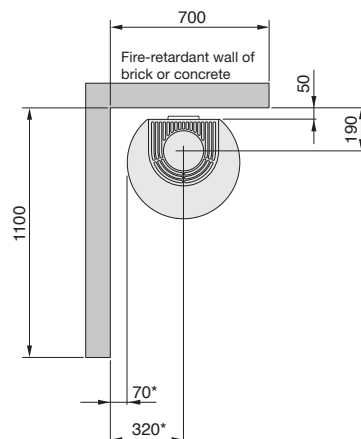
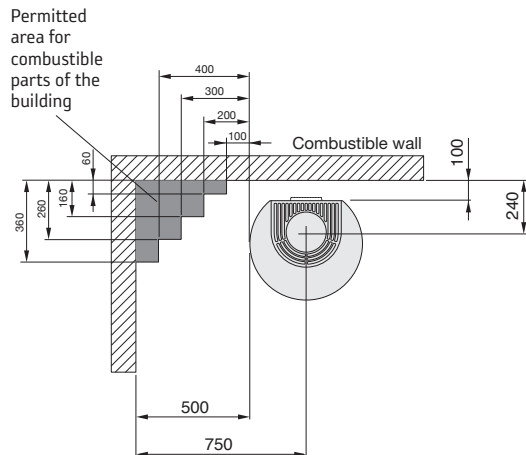
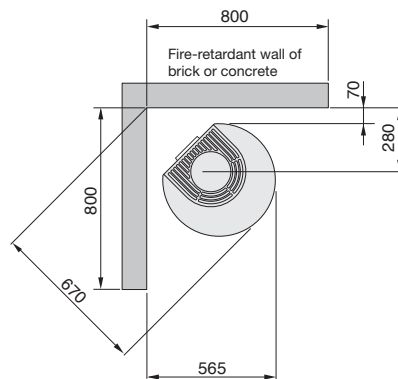
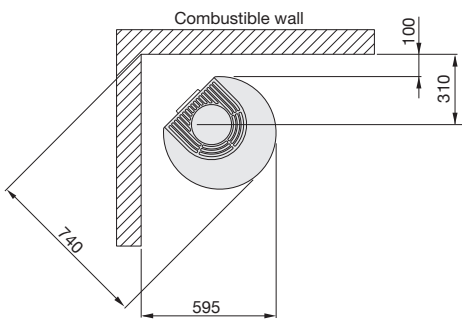
**WHEN INSTALLING TURNTABLE (OPTION)** the following installation distances do not apply. See the separate installation instructions for turntable.



The minimum distance in front of the stove opening to combustible parts of the building or interior decoration must be at least 1 m.

When top connecting a steel flue, please refer to the particular manufacturer's installation instructions. Observe the safety distance to combustible material that the steel flue requires.

- A = height from floor to chimney connection upwards
- B = height from floor to c/c chimney connection rear
- C = height from floor to air inlet
- D = height from floor to lower edge of hatch



A separate glass hearth plate (accessory) increases the connection height to the chimney by 10 mm. The spacers supplied with the hearth plate are installed on the stove before connection.

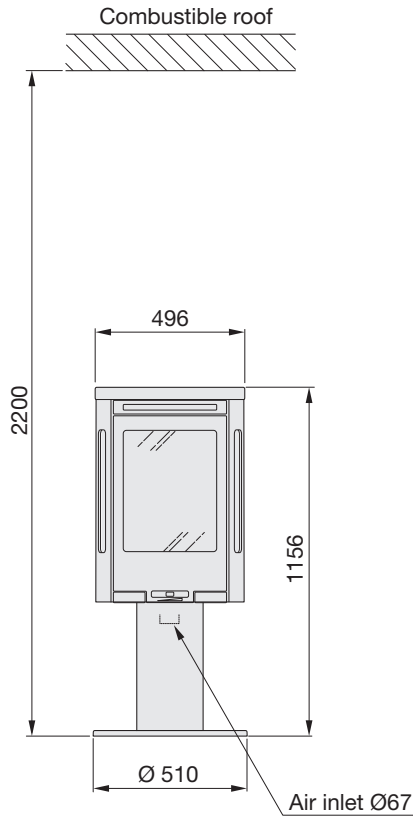
\* If the stove is placed on a hearth plate made of glass for example (accessory), the height from the floor is affected by a distance corresponding to the thickness of the hearth plate. Also applies to separate glass hearth plates (accessory).

\*\* To prevent discolouration of painted non-flammable walls we recommend that the same side distance as to combustible walls is used.



# Installation distances

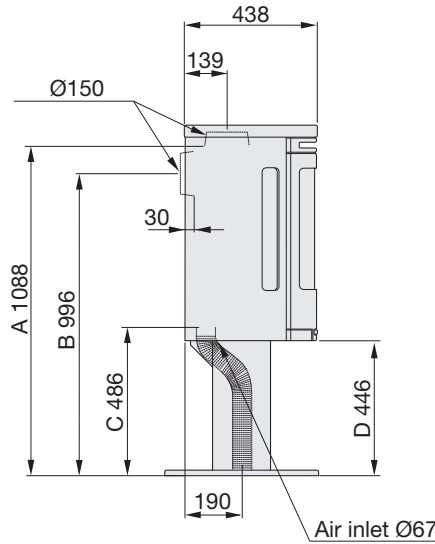
## C 585



**WHEN INSTALLING TURNTABLE (OPTION) the following installation distances do not apply. See the separate installation instructions for turntable.**

The minimum distance in front of the stove opening to combustible parts of the building or interior decoration must be at least 1 m.

When top connecting a steel flue, please refer to the particular manufacturer's installation instructions. Observe the safety distance to combustible material that the steel flue requires.

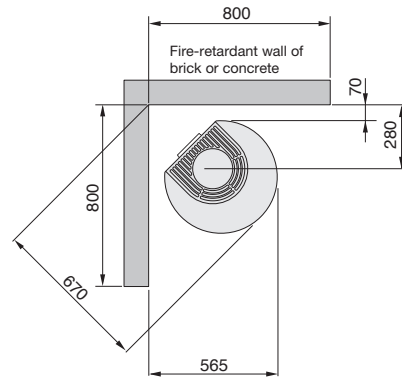
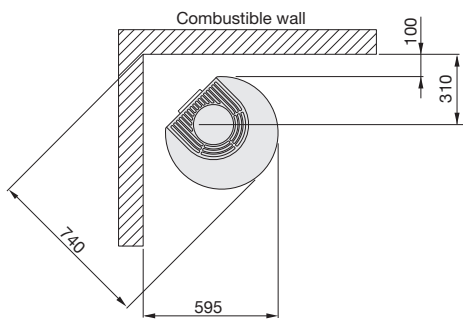


A = height from floor to chimney connection upwards

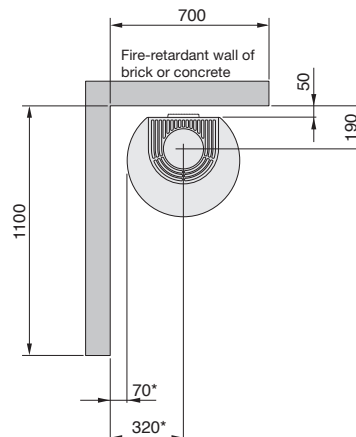
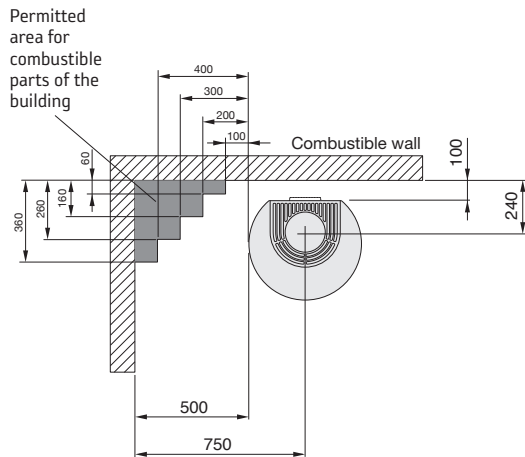
B = height from floor to c/c chimney connection rear

C = height from floor to air inlet

D = height from floor to lower edge of hatch



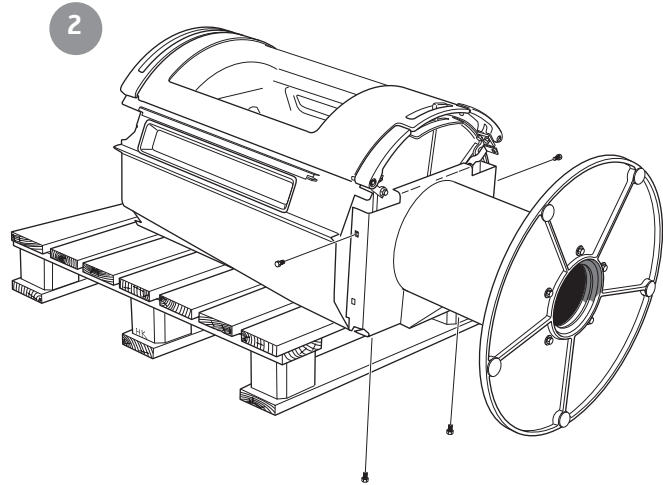
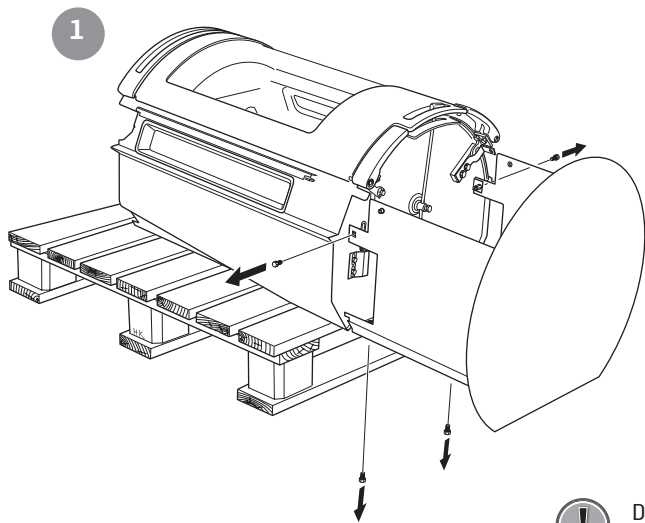
A separate glass hearth plate (accessory) increases the connection height to the chimney by 10 mm. The spacers supplied with the hearth plate are installed on the stove before connection.



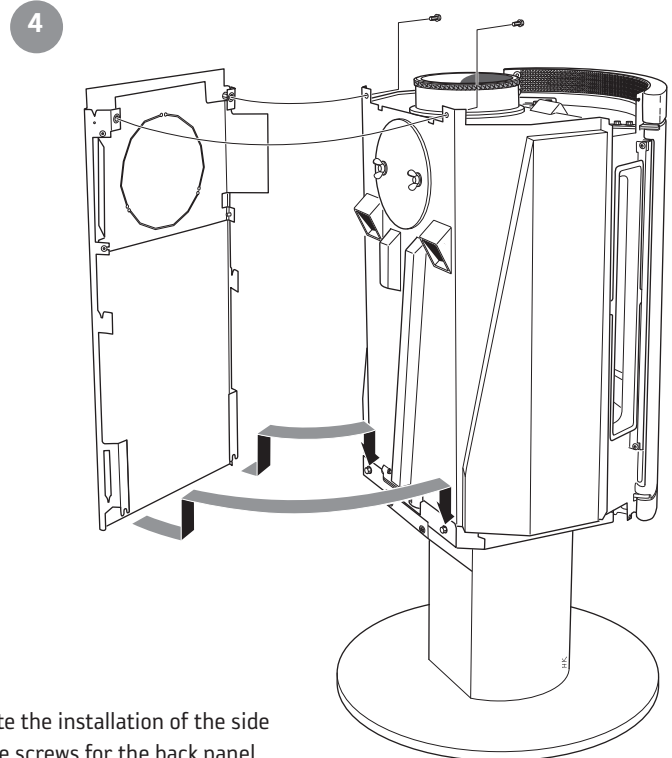
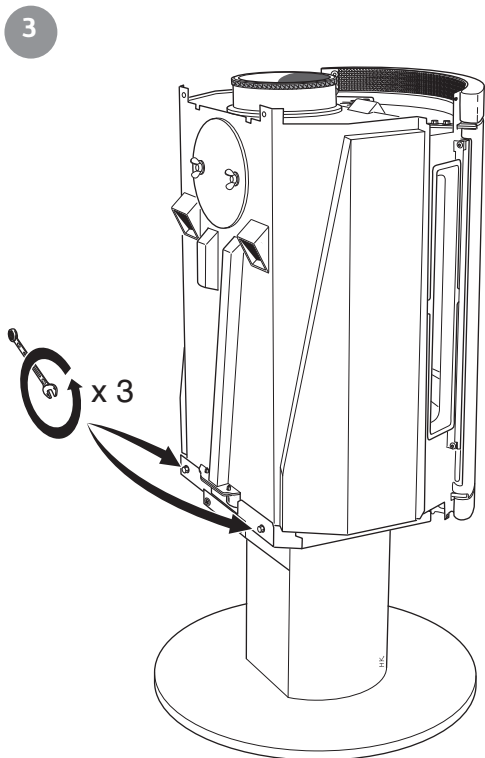
\* If the stove is placed on a hearth plate made of glass for example (accessory), the height from the floor is affected by a distance corresponding to the thickness of the hearth plate. Also applies to separate glass hearth plates (accessory).

\*\* To prevent discolouration of painted non-flammable walls we recommend that the same side distance as to combustible walls is used.

## Installing C 580/585



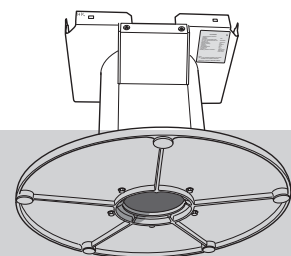
Do not tighten the screws until the stove has been raised again.



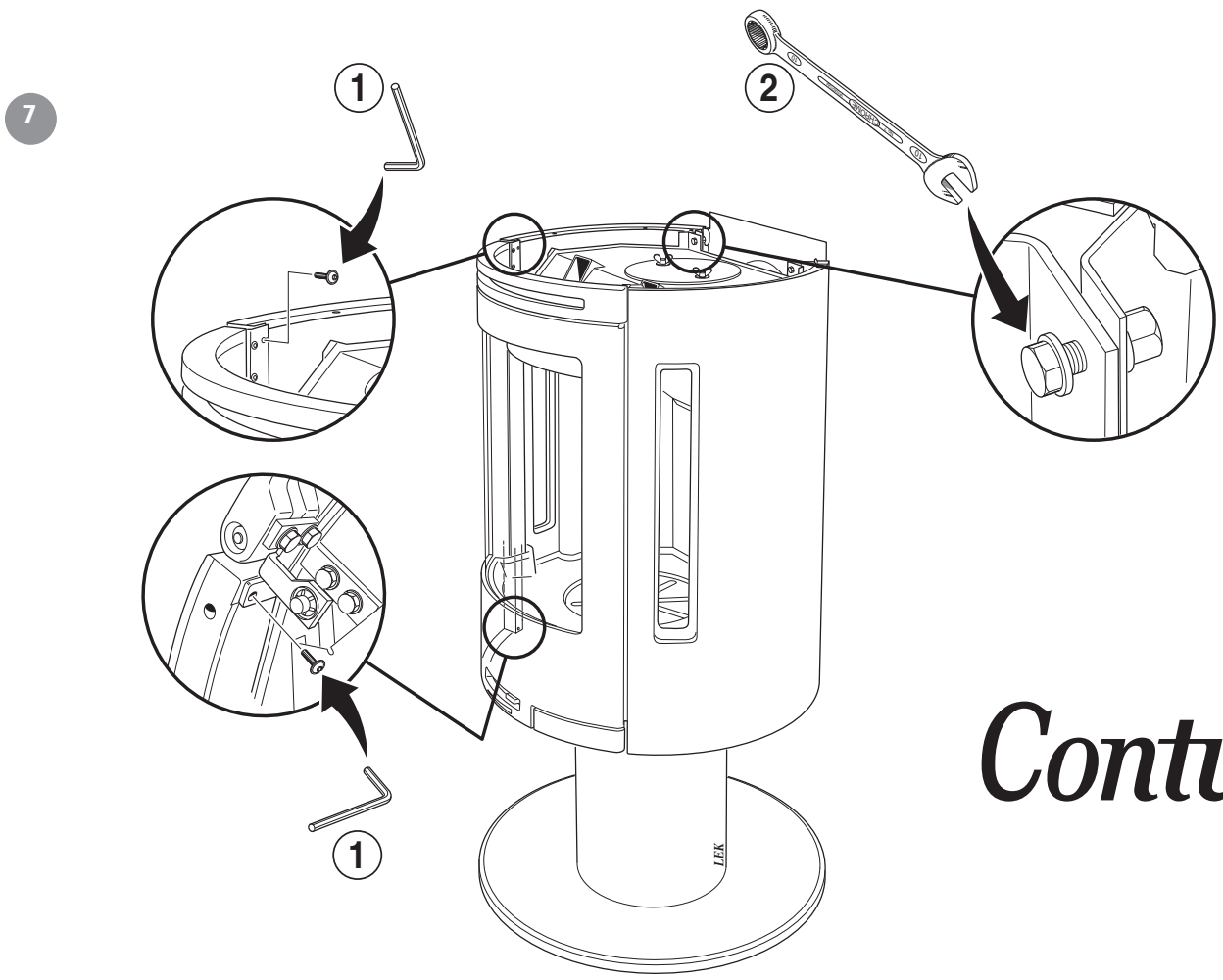
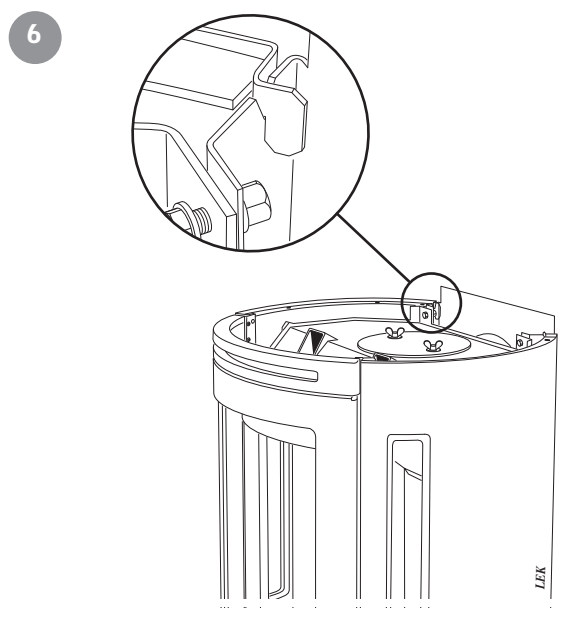
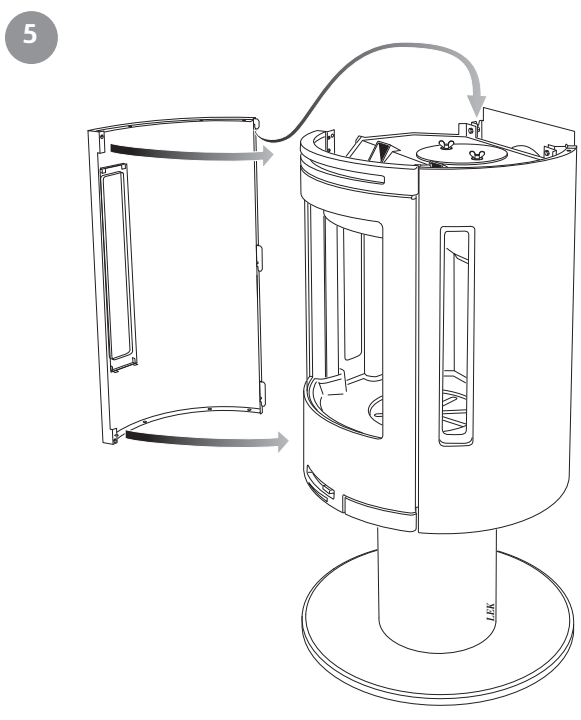
To facilitate the installation of the side panels, the screws for the back panel must not be tightened before the side panels are installed.

### Installing rating plates

The following rating plates must be placed on the underneath of the pillar frame.

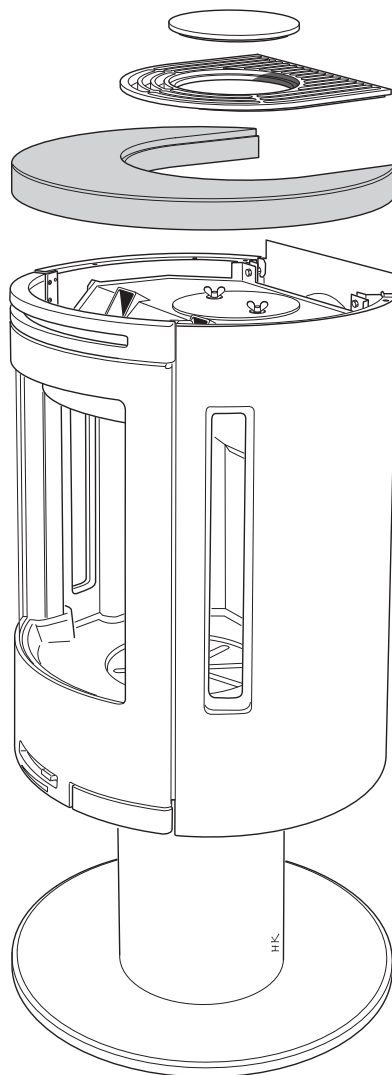


! Clean the side glass thoroughly before installing the side panels.



*Contura*

8



### Final inspection of the installation

It is extremely important that the installation is inspected by an authorised chimney sweep before the stove is used. Also read the "Lighting instructions", before lighting for the first time.



# Contura

NIBE AB · Box 134 · SE-285 23 Markaryd · Sweden  
[www.contura.eu](http://www.contura.eu)

Contura reserves the right to change colours, materials, dimensions and models at any time without special notice. Your dealer can give you the most up to date information. Stoves shown in brochures may have extra equipment.