

Installation instruction



C 550A

Contura

EC Declaration of conformity

Contura

MANUFACTURER

Name NIBE AB / Contura
Address Box 134, Skulptörvägen 10, SE-285 23 Markaryd
Place of manufacture Markaryd, Sweden

PRODUCT

Product type Stove fired by solid fuel
Type designation Contura 550A
Standard EN 13240 annex ZA
Intended for use Heating of living accomodation
Fuels Wood logs
Special conditions None

CE-MARKING

Issued 2010
Nominal output 5 kW
Fuel type Wood logs
Flue gas temperature 290° C
Energy efficiency 79%
Emission of CO 0,06%

Appendix

Lighting and installation instructions



Niklas Gunnarsson
Business area manager NIBE STOVES



Quality approval

The stove has been tested by the Swedish National Testing and Research Institute and meets the applicable regulations for CE marking and the stricter requirements for P marking. Manufacture of the product has taken place in accordance with those documents which are the basis for the relevant type approval certification and the required manufacturing checks. The chimney must be dimensioned for at least 350° C for both top connection directly upwards and connection directly backwards from the rear of the stove.



Contura 550A is a Swan labelled stove.

NIBE was the first stove manufacturer in Sweden to commit to Swan labelling their stoves. The Swan label is one aspect of our vision to be a company of the future, setting high quality standards regarding the environment. Certification number 378-001.

A warm welcome to Contura

A warm welcome to the Contura family. We hope you will get a great deal of pleasure from your new stove.

As a new owner of a Contura stove, you have secured a product with timeless design and long service life.

Contura also has a combustion process that is both environmentally friendly and efficient, for the best heat production.

Read through these installation instructions carefully before installation. Read how to best light your stove in the lighting instructions.

List of Contents

Technical details	52
Removing the loose parts	52
Connection to chimney	54
Supply of combustion air	55
Installation distances	56
Assembly	57
Installing the base	60

NOTE:

Report the installation of a stove to your local authority.

The owner of the house is personally responsible for ensuring compliance with the mandatory safety requirements and must have the installation approved by a qualified inspector. Your local chimney sweep must also be informed about the installation as this will affect the routines for regular chimney-sweeping services.

WARNING!

The stove becomes very hot

During operation, certain surfaces of the stove become very hot and can cause burn injury if touched. Also, take heed of the strong heat radiated through the door glass. Placing flammable material closer than the safe distance indicated may cause a fire. Smoulder combustion can cause quick gas ignition with the risk of damage to property and personal injury.

Technical details

Effect	3-7kW
Nominal effect	5 kW
Efficiency	up to 79%

Model	550A
Height (mm)	1010
Width (mm)	500
Depth (mm)	440
Weight (kg)	100

Type approved in accordance with:

European standard EN-13240
 Swedish environmental and quality marking,
 P-marking cert. no. 220309
 Norwegian standard NS 3059, SINTEF 043-140
 German standard DIN, 18.891, R0-91 03 529
 Danish standard DS/EN 13240 Plus,
 id no. 598

Important to remember!

Installation by authorised technician

This manual contains instructions about how the stoves must be assembled and installed. To ensure the function and safety of the stove, we recommend that the installation is carried out by an authorised technician. Contact one of our dealers who can recommend suitable fitters.

Building permission

These main instructions may give guidance which would contravene national building regulations. Please refer to supplementary instructions or ask your local authority for advice regarding building regulations. Before installing a stove or erecting a chimney it is necessary for you to make a building application permission to your local authority.

Structural support

Check that the wood joists are strong enough to bear the weight of the stove and chimney. The stove and chimney can usually be placed on a normal wooden joist in a single occupancy house, if the total weight does not exceed 400 kg.

Floor plate

Due to the risk of falling embers, a combustible floor must be protected by a hearth plate which covers at least 300 mm to the front and 100 mm along each side. The hearth plate can consist of natural stone, concrete, metal or glass. A painted metal or glass hearth plate is available as an accessory for these models.

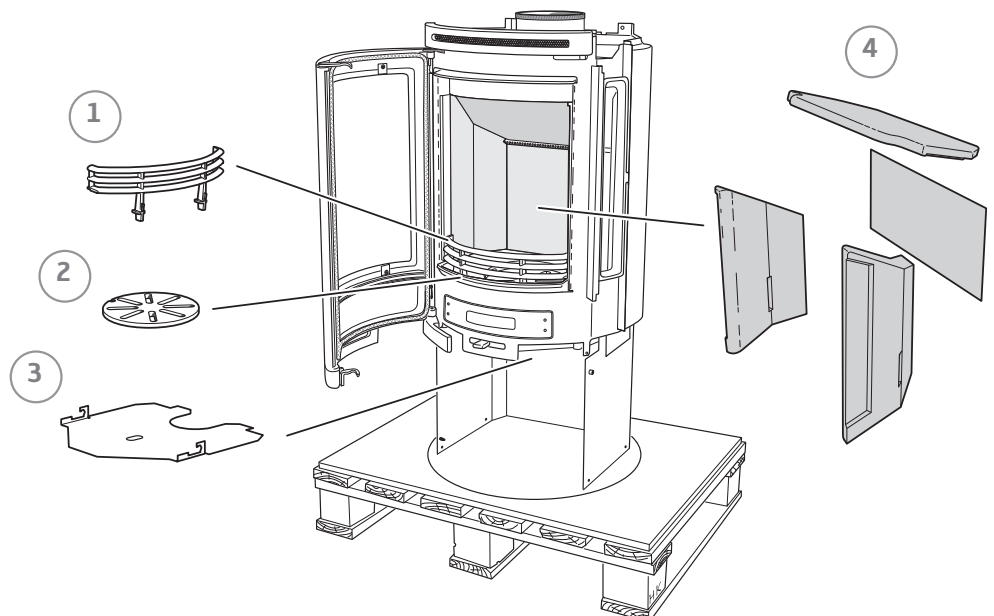
Cleaning the aluminium parts

Cleaning must always be carried out with care and on cold panels. Wipe with a damp cloth and dishwashing detergent and wipe dry using a clean and dry cotton cloth. For tougher marks, stainless steel cleaning agent can be used.

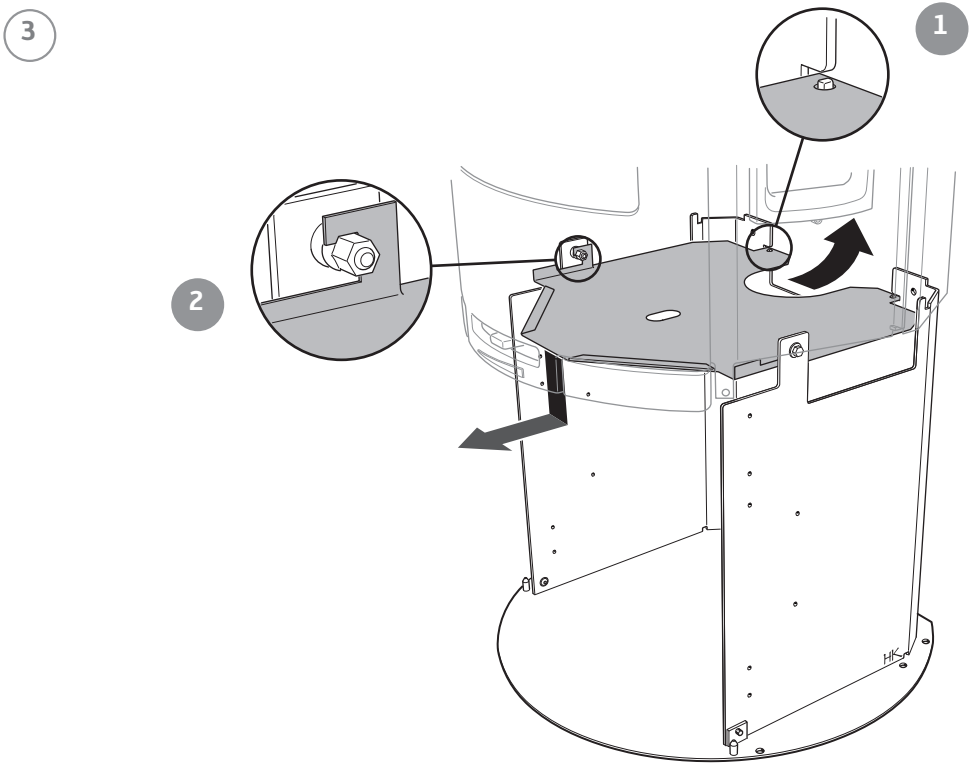
Removing the loose parts

If the insert needs to be put down to be moved, loose components should be removed. When the stove is installed reinstall the components in reverse order.

- 1 Fire bars
- 2 Grate disc
- 3 Heat deflector
- 4 Hearth cladding (Vermiculite).

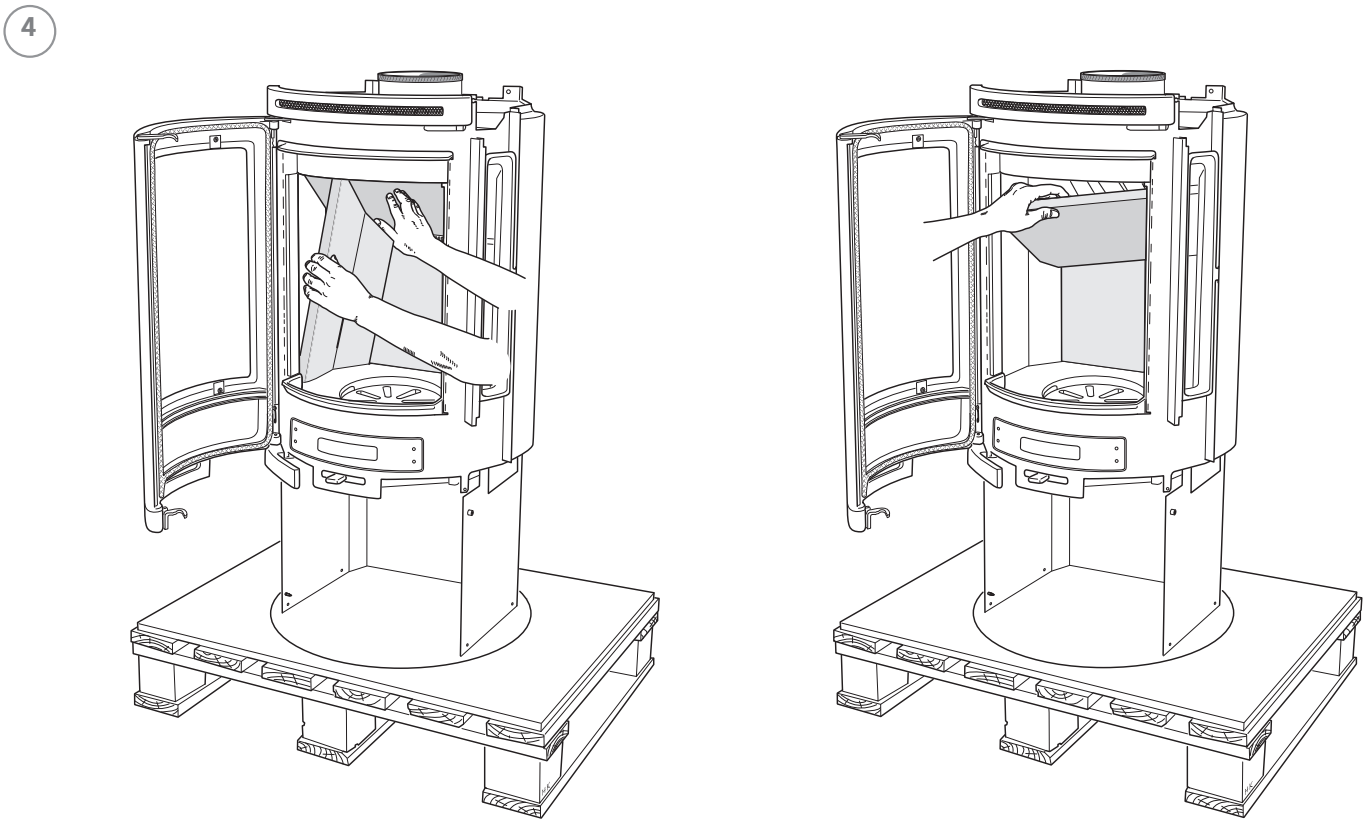


How to remove the heat deflector



How to remove the hearth surround (Vermiculite)

Handle the vermiculite with care. Lift the smoke baffle with one hand whilst removing the sides pieces. Reinstall in reverse order

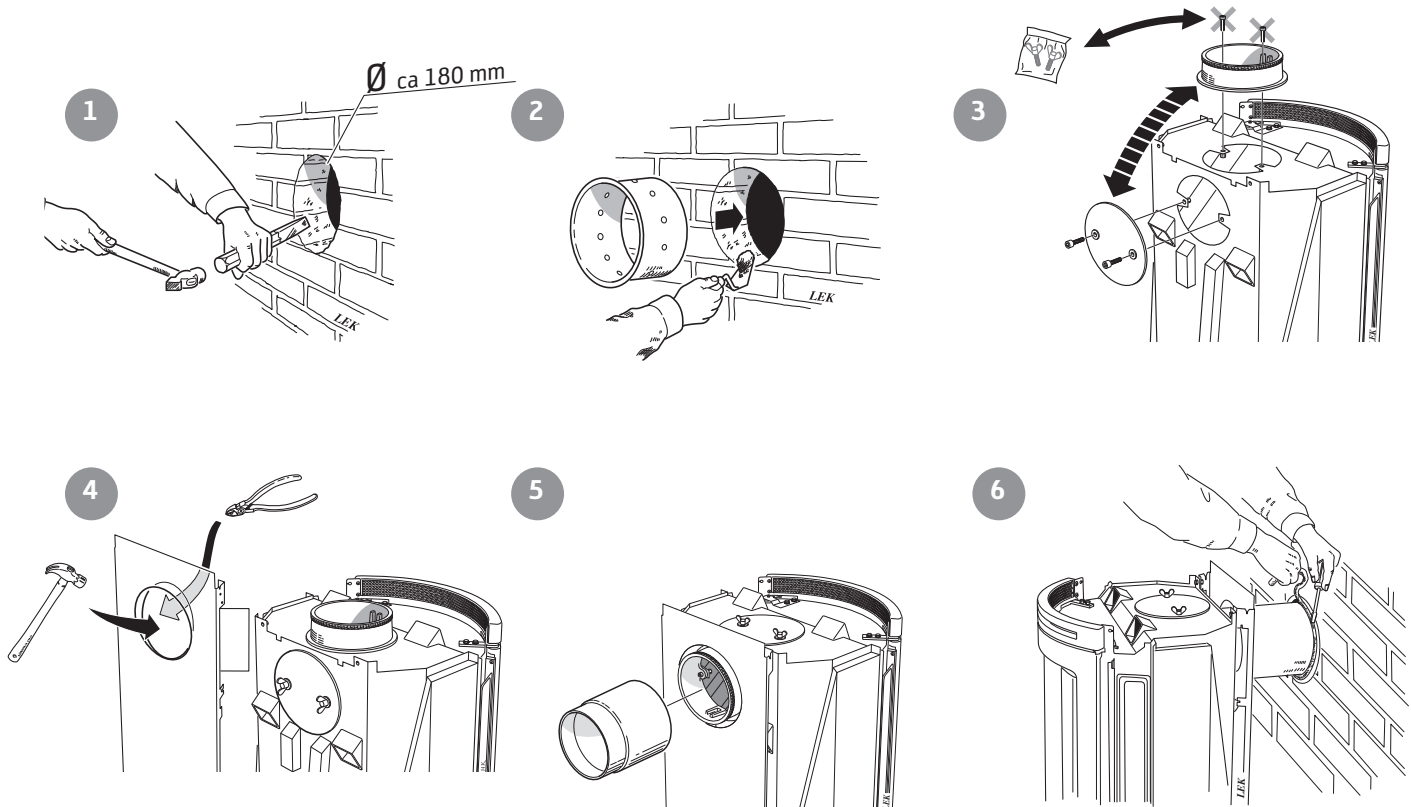


Connection to chimney

- The stove meets the requirements for connecting to chimneys dimensioned for 350°C flue gas temperature.
- The external diameter of the connection sleeve is 150 mm.
- The stove requires a draft in the chimney of at least -12 Pa. The draft is affected both by the length and area of the chimney, and by how well sealed it is. The minimum recommended chimney length is 3.5 m and suitable cross sectional area is 150-200 cm² (140-160 mm in diameter).
- A flue with sharp bends and horizontal routing reduces the draught in the chimney. The maximum horizontal flue is 1 m, on the condition that the vertical flue length is at least 5 m.
- It must be possible to sweep the full length of the flue and the soot doors must be easily accessible.
- Carefully check that the chimney is sealed and that there is no leakage around soot doors and flue connections.

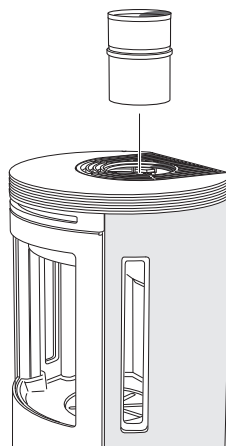
Rear connection to a masonry chimney

The back panel must be installed before the stove is rear connected.



Top connection to the chimney

The hot air grille must be installed before chimney top connection.



Make sure that the connector gasket does not work loose when the connection pipe is placed on the connector. If further sealing material is required, heat-resistant sealant may be used.

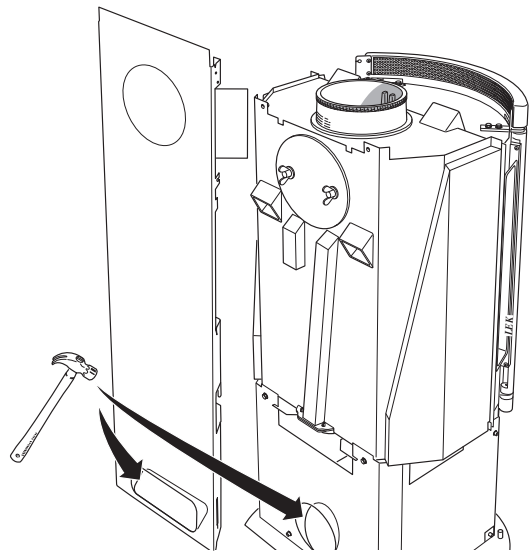
Supply of combustion air

When a stove is installed in a room, the demand for air supply to the room increases. Air can be provided indirectly via a vent in the outer wall or via a duct from the outside that is connected to the connector on the underneath of the stove. The amount of air needed for combustion is approx. 25m³/h.

The connector has an external diameter of 67 mm. When duct routing further than 1 m the pipe diameter must be increased to 100 mm and a correspondingly larger wall vent must be selected.

In hot areas the duct should be insulated with 30 mm mineral wool covered with a moisture inhibitor (plastic). It is important that the lead-in between the pipe and the wall (or floor) is sealed using jointing compound.

A 1 m length of condensation-insulated ducting for combustion air is available as an accessory.



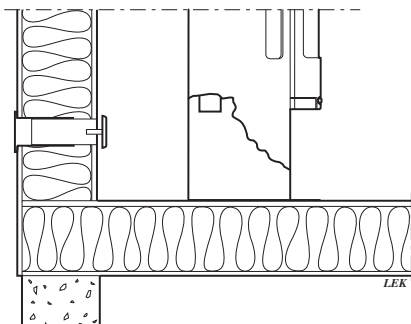
C 550A

In the back and floor plates there are knockouts that must be removed to insert pipes or for air supply if the stove is equipped with a lower hatch and/or fan (accessory).

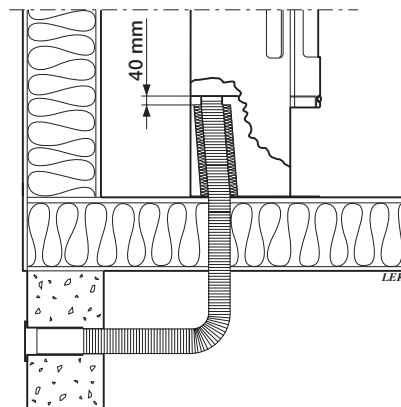


Leave a 40 mm gap between the condensation insulation and the bottom of the stove.

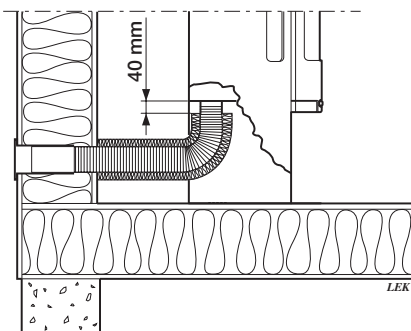
Installation variants



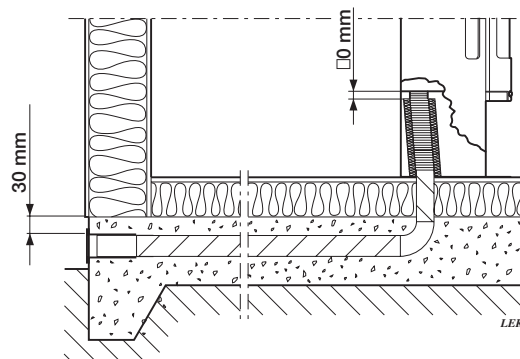
Indirect air supply through the external wall



Through floor and wall-and-cavity foundation



Through the external wall



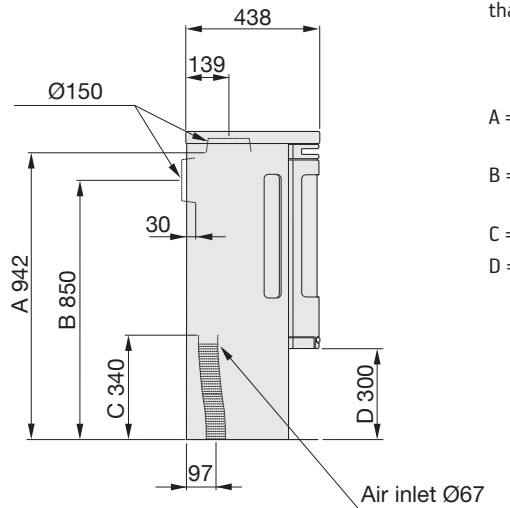
Through floor and foundation slab

Installation distances

C 550A



WHEN INSTALLING TURNTABLE (OPTION) the following installation distances do not apply. See the separate installation instructions for turntable.



The minimum distance in front of the stove opening to combustible parts of the building or interior decoration must be at least 1 m.

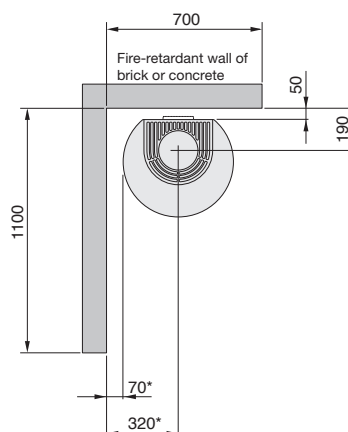
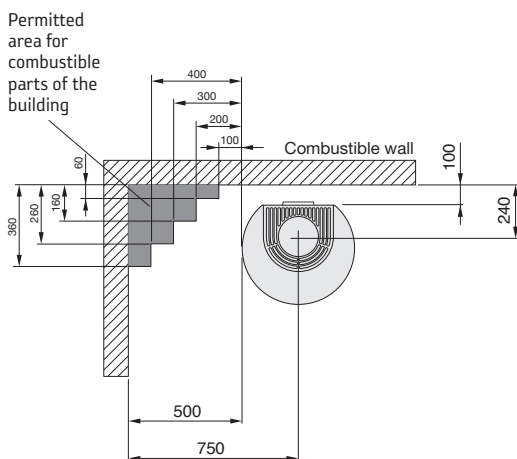
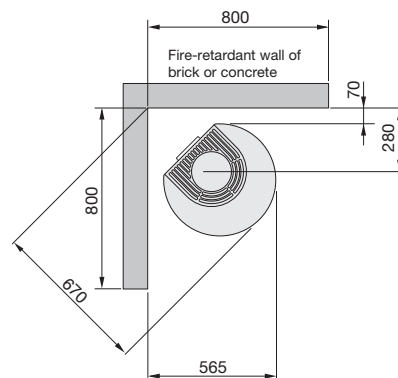
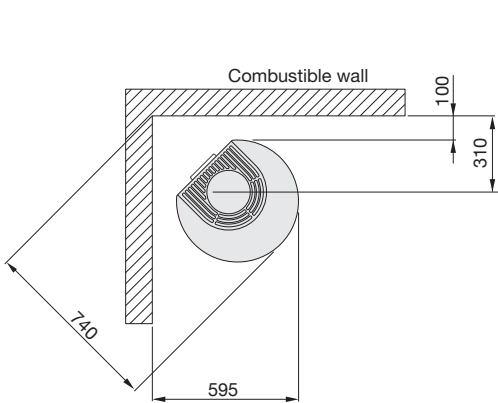
When top connecting a steel flue, please refer to the particular manufacturer's installation instructions. Observe the safety distance to combustible material that the steel flue requires.

A = height from floor to chimney connection upwards

B = height from floor to c/c chimney connection rear

C = height from floor to air inlet

D = height from floor to lower edge of hatch

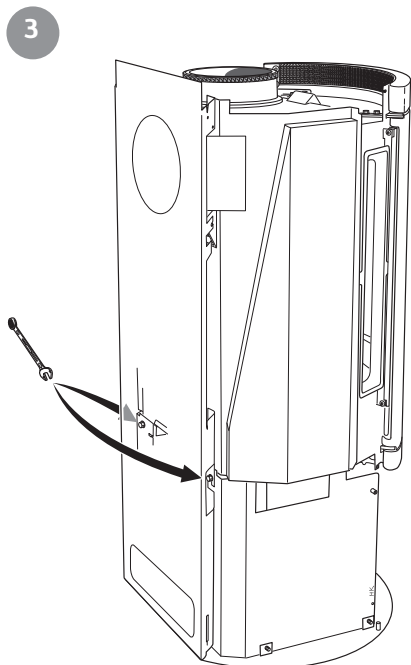
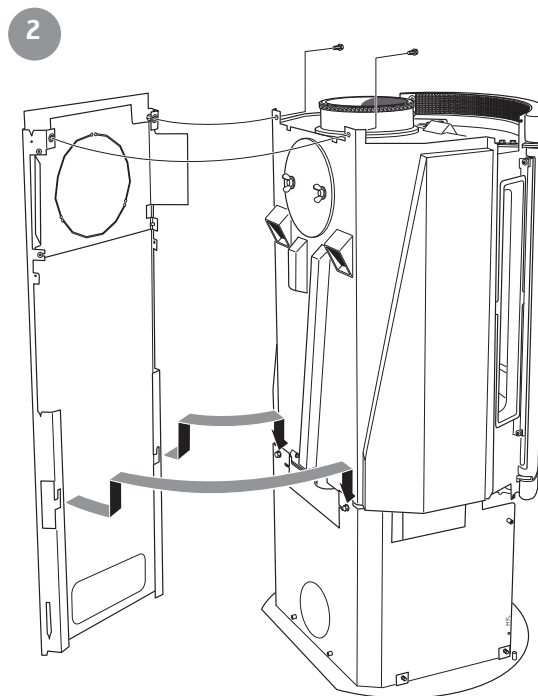
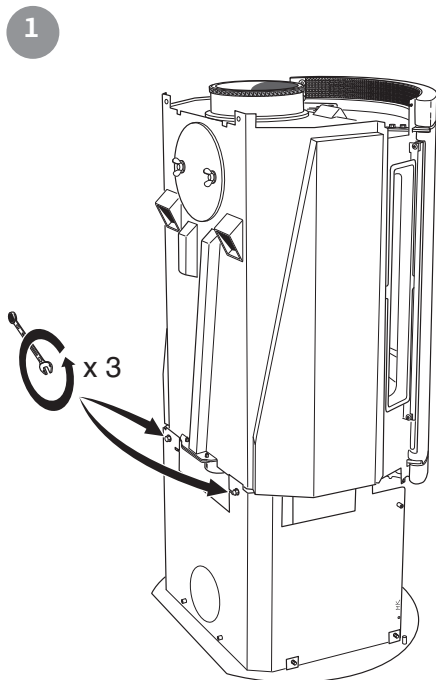


A separate glass hearth plate (accessory) increases the connection height to the chimney by 10 mm. The spacers supplied with the hearth plate are installed on the stove before connection.

* If the stove is placed on a hearth plate made of glass for example (accessory), the height from the floor is affected by a distance corresponding to the thickness of the hearth plate. Also applies to separate glass hearth plates (accessory).

** To prevent discolouration of painted non-flammable walls we recommend that the same side distance as to combustible walls is used.

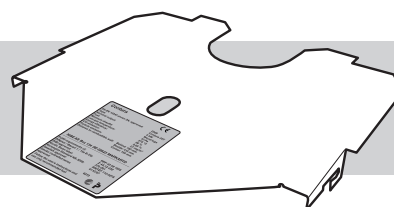
Installing C 550A



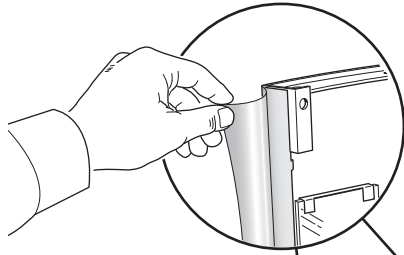
To facilitate the installation of the side panels, the two upper screws for the back panel must not be tightened before the side panels are installed.

Installing rating plate

Supplied rating plate positioned on underneath of heat deflector, or with fan option on the inside of the stove.



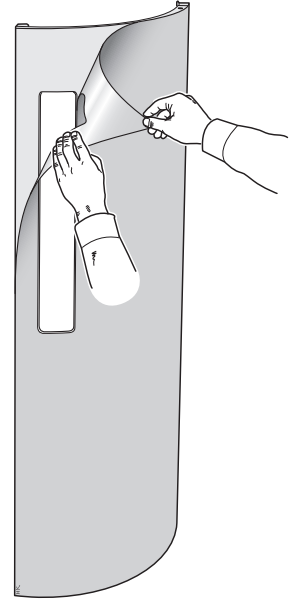
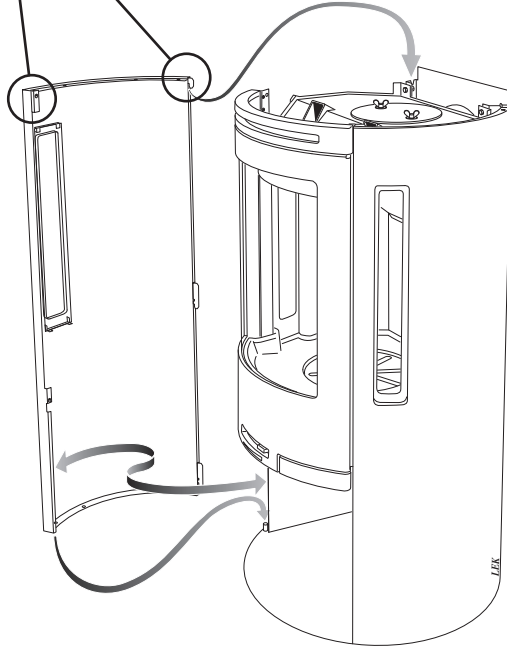
4



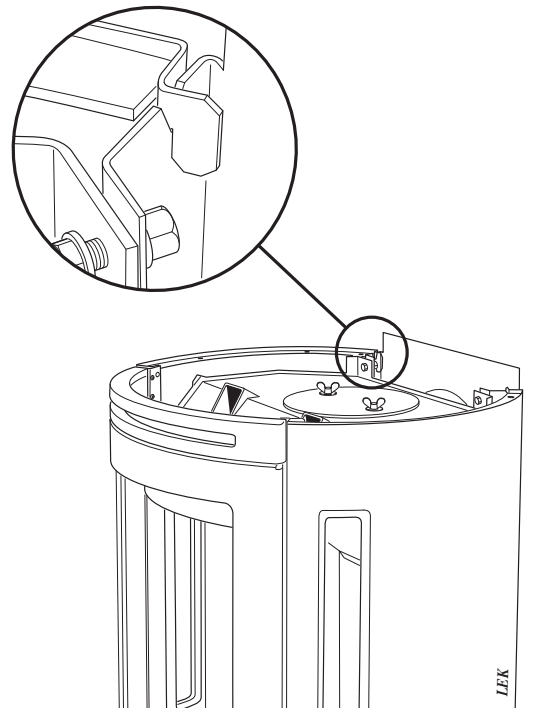
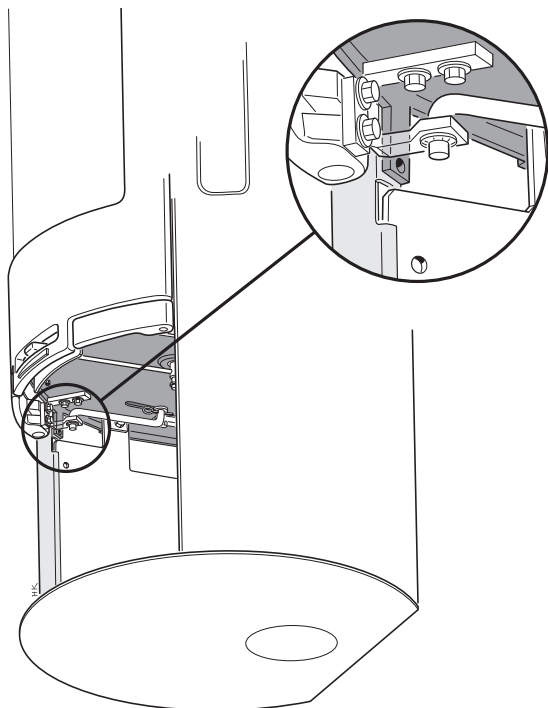
Clean the glass thoroughly before installing the side panels!



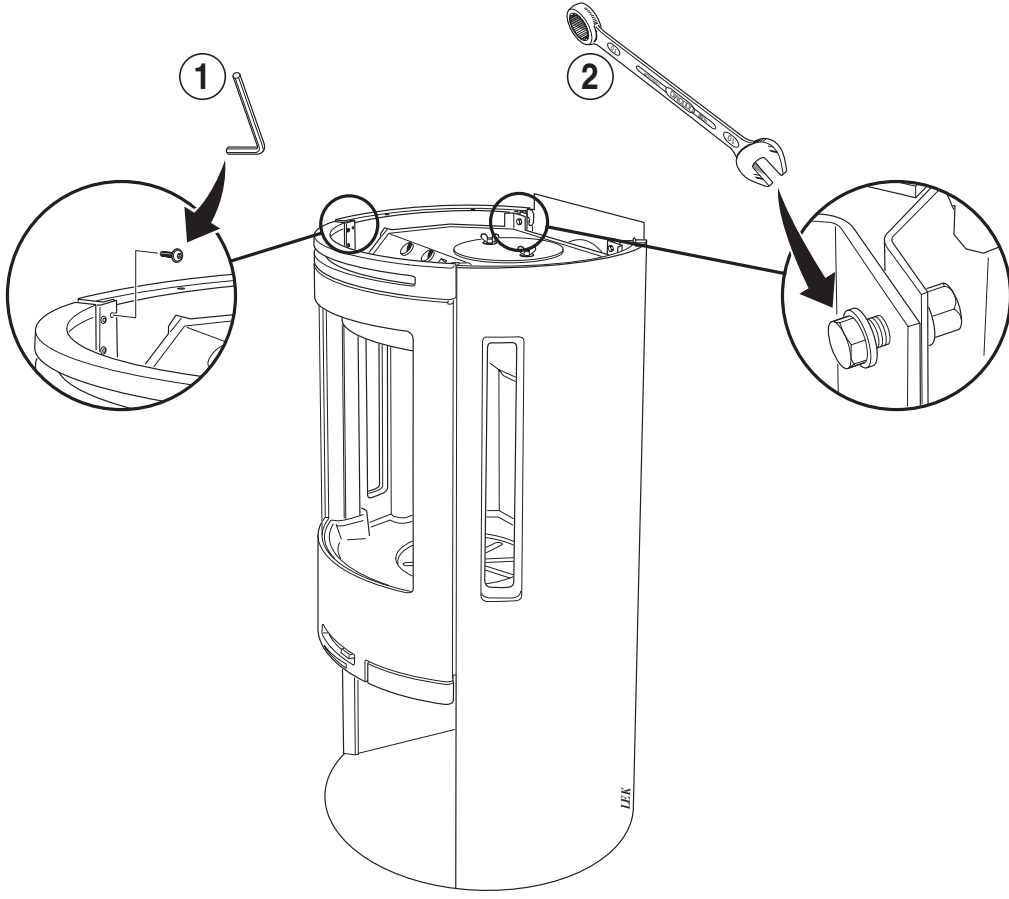
Remove the protective plastic from along the bent edge before installing the sides. After installing the stove, remove the protective plastic. It is important to remove all the protective plastic. Ensure that your hands are clean to avoid leaving marks on the aluminium sides.



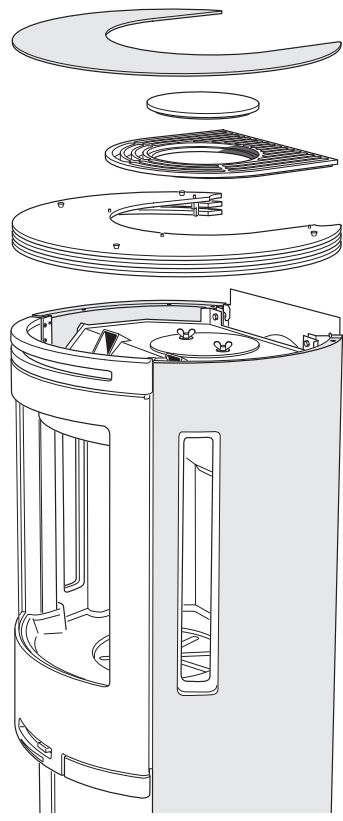
Hold the side panel approximately 20 mm above the base panel and turn the side panel's front edge around the edge of the base frame. Hook the side panel on the back panel. Align and depress the side panel end over the base panel's shaft pin.



5

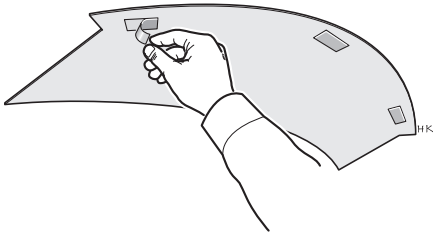


6



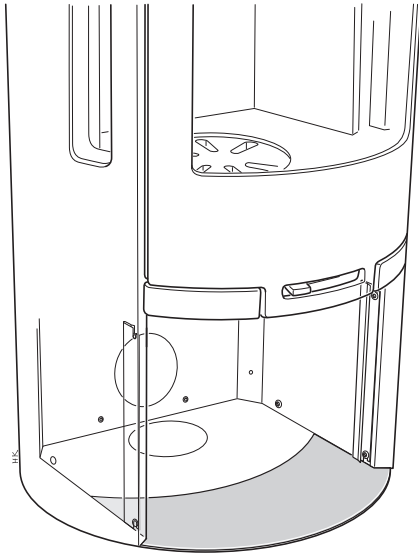
Installing the base

7

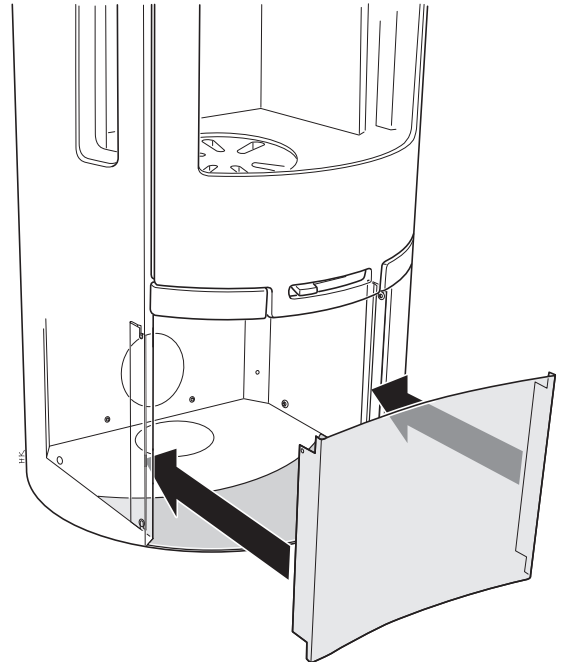


Remove the backing paper on the double sided tape on the underside of the cover panel. Press the cover panel into position so that the front edge is edge to edge with the footplate. Then remove the protective plastic. Install the base panel in the brackets.

8



9



Final inspection of the installation

It is extremely important that the installation is inspected by an authorised chimney sweep before the stove is used. Also read the "Lighting instructions", before lighting for the first time.



Contura

NIBE AB · Box 134 · SE-285 23 Markaryd · Sweden
www.contura.eu

Contura reserves the right to change colours, materials, dimensions and models at any time without special notice. Your dealer can give you the most up to date information. Stoves shown in brochures may have extra equipment.