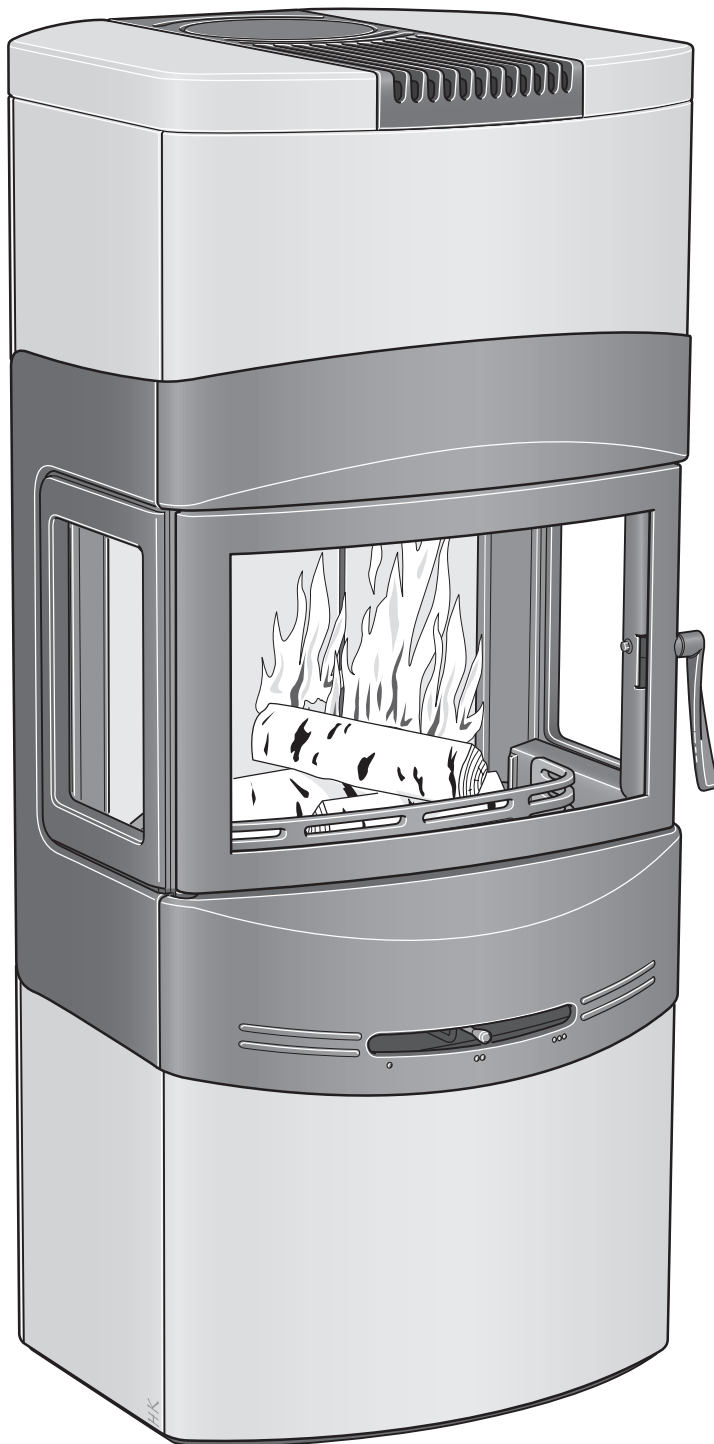


SE	Installationsanvisning	2
DE	Installationsanleitung	18
NO	Installasjonsanvisning	34
GB	Installation instruction	50

Installation instruction



C480

Contura

Declaration of performance according
to Regulation (EU) 305/2011
No. C480-CPR-130605-SE-1

Contura

PRODUCT

Product type Stove lit with solid biofuels
Type designation Contura 480
Manufacturing number See rating plate on the stove
Intended area of use Heating of rooms in residential buildings
Fuel Wood

MANUFACTURER

Name NIBE AB / Contura
Address Box 134, Skulptörvägen 10
SE-285 23 Markaryd, Sweden

CHECKS

According to AVCP System 3
European standard EN 13240:2001 / A2:2004
Test institute Rein-Ruhr Feuerstätten Prüfstelle, NB 1625,
has checked declared performance and issued test report no. RRF-40 05 932

DECLARED PERFORMANCE

Essential characteristics	Performance	Harmonised technical specification
Reaction to fire	A1 WT	EN 13240:2001 / A2:2004
Minimum distance to combustible material	Rear: 100 mm Side: 494 mm Other safety distances according to the installation instructions	
Risk of falling embers	Pass	
Emissions from combustion	CO 0.12%	
Surface temperatures	Pass	
Cleaning options	Pass	
Mechanical durability	Pass	
Emissions of hazardous substances	Pass	
Nominal output	7 kW	
Efficiency	80%	
Flue gas temperature in connector at nominal output	255°C	

The undersigned is responsible for the manufacture and conformity with the declared performance.



Niklas Gunnarsson, Business area manager NIBE STOVES
Markaryd, 1st July 2013



A warm welcome to Contura

A warm welcome to the Contura family. We hope you will get a great deal of pleasure from your new stove.

As a new owner of a Contura stove, you have secured a product with timeless design and long service life.

Contura also has a combustion process that is both environmentally friendly and efficient, for the best heat production.

Read through these installation instructions carefully before installation. Read how to best light your stove in the lighting instructions.

Contents

Technical specifications	52
Installation distances to walls and ceilings	53
Air supply	54
Unpacking the stove	55
Installing the smoke baffle	56
Connection to the flue	57
Assembling the soapstone surround	58
Installing the fan (optional extra)	62
Fitting an extra glass side panel (optional extra)	64
How to use your wood-burning stove	65

NOTE!

Report the installation of a stove to your local authority.

The owner of the house is personally responsible for ensuring compliance with the mandatory safety requirements and must have the installation approved by a qualified inspector. Your local chimney sweep must also be informed about the installation as this will affect the routines for regular chimney-sweeping services.

WARNING!

The stove becomes very hot

During operation, certain surfaces of the stove become very hot and can cause burn injury if touched. Also, take heed of the strong heat radiated through the door glass. Placing flammable material closer than the safe distance indicated may cause a fire. Smoulder combustion can cause quick gas ignition with the risk of damage to property and personal injury.

Technical specifications

Output	3–9 kW
Efficiency, up to	80%
Weight	290 kg
Stove width	552 mm
Depth	526 mm
Height	1250 mm
Connecting sleeve (internal dia.)	Ø150 mm

Type approved in accordance with:

European standard EN-13240 class 1

Swedish environmental and quality certification,

"P marked" cert. no. 22 03 07

Swedish type approval, cert. no. 0887/99

Norwegian standard NS 3059, certificate no. 043-088

German standard DIN 18.891, RO-91 99 84

Danish standard 887-1, ID nr 598

General information

This folder contains instructions on how to assemble and install stoves in the Contura 480. The stove also comes with comprehensive Lighting and Maintenance Instructions. Please take time to read all this information carefully and keep it in a safe place for future reference.

Contura 480 stoves have been type-approved in Sweden for connection to a chimney which can withstand flue gas temperatures of 350 °C. The connecting sleeve has an external diameter of 150 mm.

To ensure proper combustion, sufficient air must be supplied to the stove from outdoors.

A convector fan is available as an optional extra for your stove. If you require further advice and instructions concerning the installation of a wood-burning stove, we recommend that you contact your local chimney sweep or the relevant authority in your area.

Building permission

It may be necessary for you to apply for building permission from your local planning authority before installing a stove or erecting a chimney. Before starting installation work, make sure that you check which regulations apply.

Structural support

Check to make sure that the floor is strong enough to support the weight of the stove and chimney. If you intend to locate the stove on standard wooden floor joists, contact a professional builder to make sure that the construction will withstand the load. If the total weight of the stove and chimney together does not exceed 400 kilos, it is not usually necessary to reinforce the joists

Floor plate

To protect the floor from sparks and falling embers the stove must stand on a non-combustible surface which extends at least 300 mm in front of the stove and 100 mm along each side. As other statutory requirements apply in some countries, we recommend that you consult the relevant authority or an authorised chimney-sweep in your area.

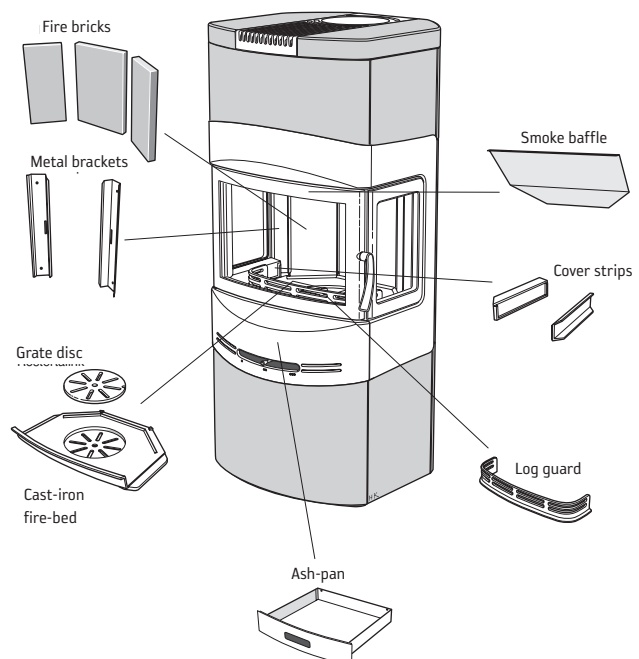
Chimney

The draught in the chimney must generate a negative pressure of at least 12 Pa. The draught is affected both by the length and cross-sectional area of the chimney, and by how well sealed the construction is. The shortest recommended chimney length is 3.5 metres. The cross-sectional area of the chimney must be approximately 150–200 cm² (140–160 mm in diameter).

Make sure that there are no gaps around soot hatches and flue-pipe connections.

Remember that the draught is reduced in flues with sharp bends or horizontal sections. A horizontal flue length of up to 1.0 metre is permissible, provided that the vertical flue is at least 5.0 metres in height.

It must be possible to clean the flue throughout its entire length, and the soot hatches must be easily accessible.



Installation distances to walls and ceiling

Stand the stove on a floor plate, ensuring that the stove is no closer to the wall/ceiling than the minimum distances indicated in the diagrams below. For stoves with a top flue connection to a steel chimney, please refer to the assembly and installation instructions for the relevant brand of chimney. Observe the minimum distances to combustible materials prescribed by the manufacturers of the chimney. Allow at least 1.0 metre from the stove door to any combustible part of the building structure or interior fittings.

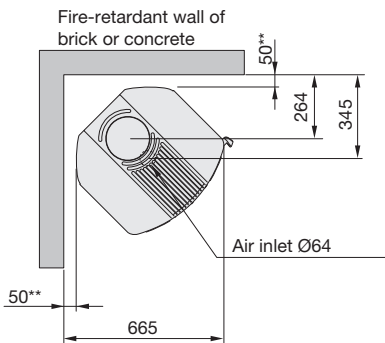
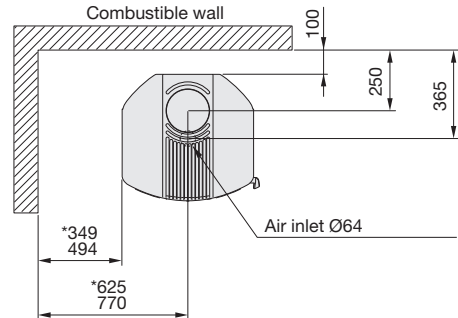
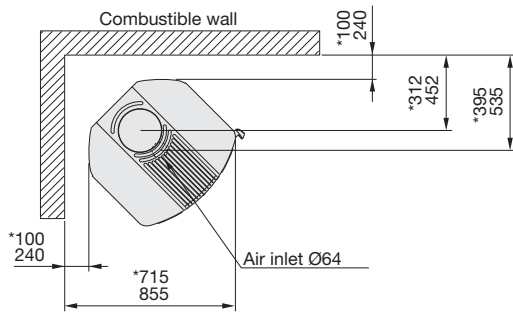
A = height from floor to chimney connection

B = height from floor to centre of hole for rear flue

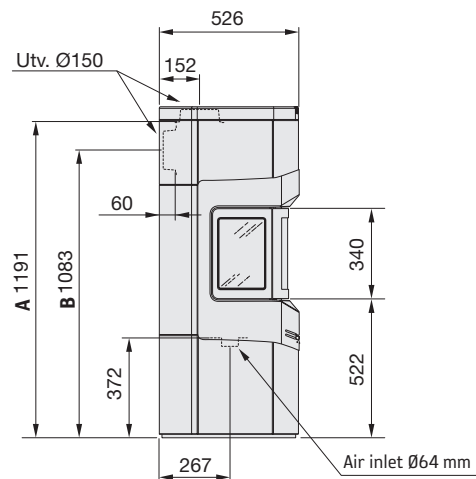
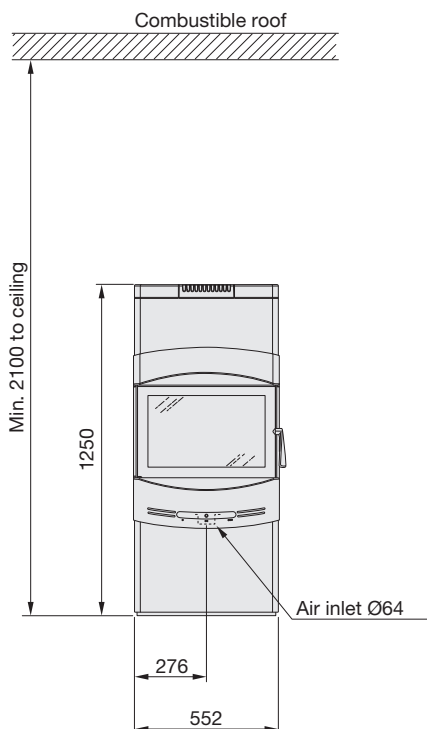
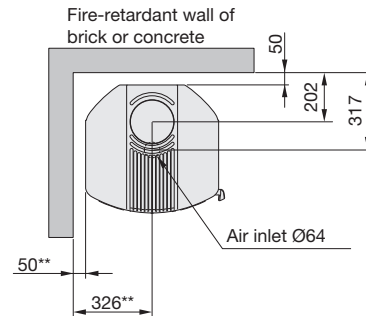
* Requires extra glass panel.

Important!

An extra glass side panel with a heat-reflecting surface must be fitted to stoves placed in a corner as shown below, with 100 mm or 349 mm between the side of the stove and a combustible side wall.



** To avoid any discoloration of painted walls made of non-combustible materials, we recommend the same gap between stove and wall as that for walls in combustible materials.



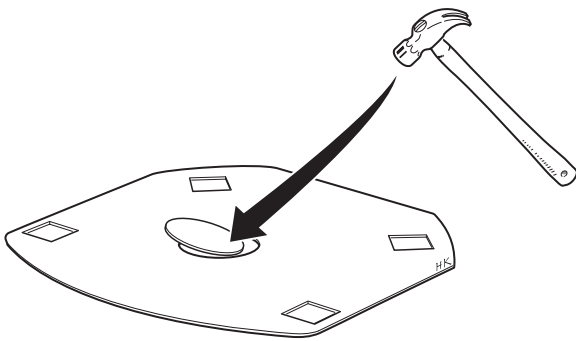
Air supply

Combustion air for the stove can be supplied through a duct directly from outside, or indirectly through a vent in the wall of the room where the stove is installed.

The drawings on the right show various alternative methods of supplying the stove with air.

The air duct connection on the stove has an external diameter of 64 mm.

The base-plate of the stove has a punched metal cover which can be removed to permit the passage of an air supply hose.

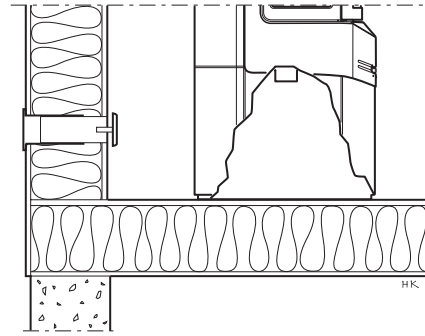


Remove the partly punched metal cover with a hammer.

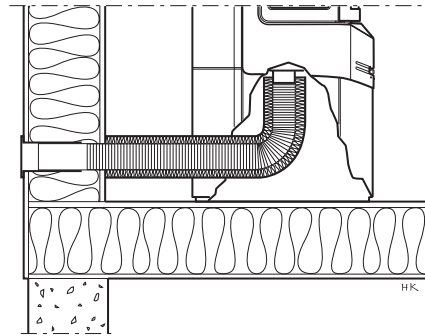
To prevent condensation in air ducts which pass through heated areas, the duct must be insulated with 30 mm of mineral wool covered with a proprietary moisture seal (plastic vapour diffusion retarder).

It is important to seal carefully around the duct where it passes through the wall or floor. Use jointing compound. For ducts longer than 1.0 metre, the diameter must be increased to 100 mm, and the size of the vent increased correspondingly.

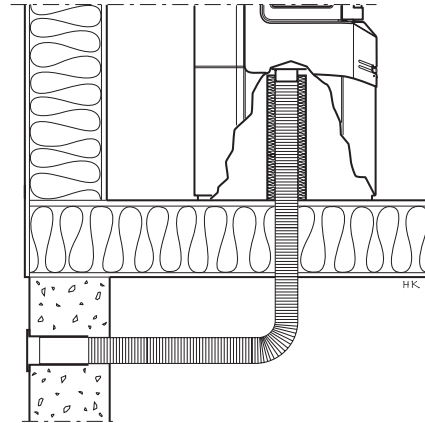
A 1.0 metre length of insulated ducting for combustion air is available as an optional extra.



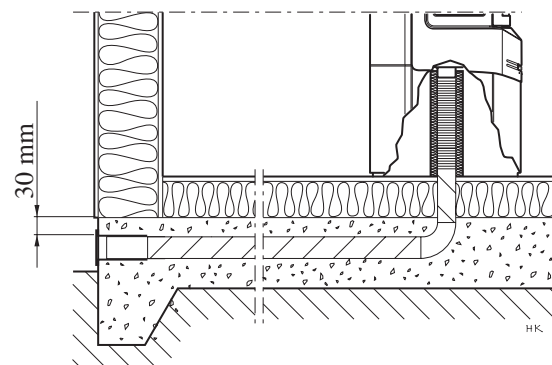
Indirect air supply through the external wall.



Through the external wall.



Through a suspended floor/wall-and-cavity foundation.

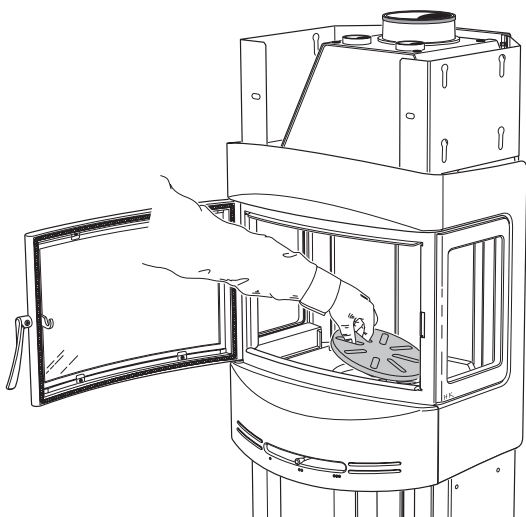


Through the floor and foundation slab.

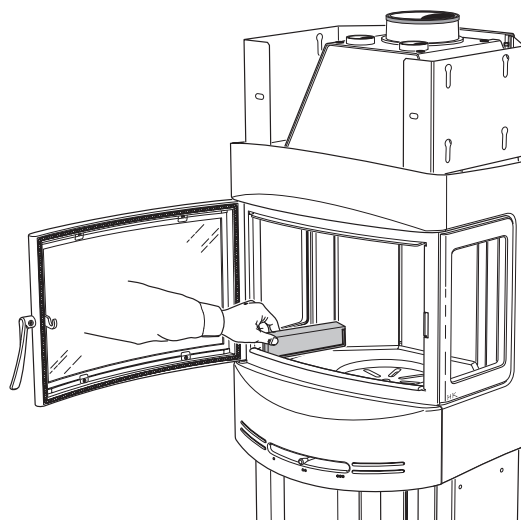
Unpacking the stove

The cast-iron base may be removed to make it easier to lift and carry the stove body.

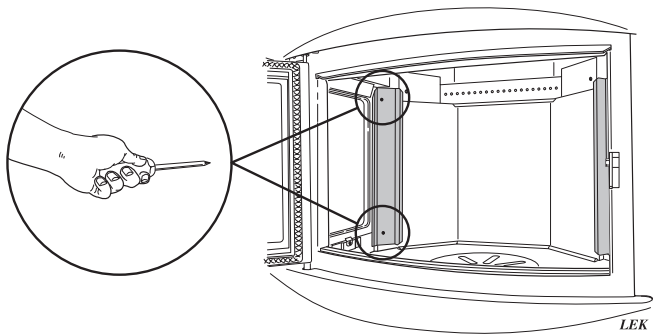
Lift and transport the stove as shown in these sketches.



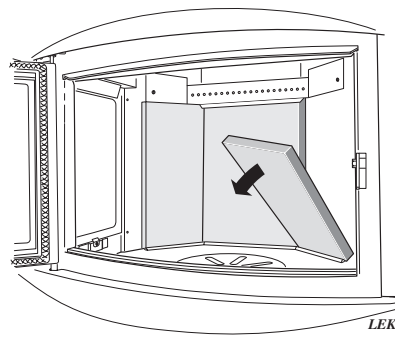
Remove the grate disc by lifting the edge furthest away from the draught control bar.



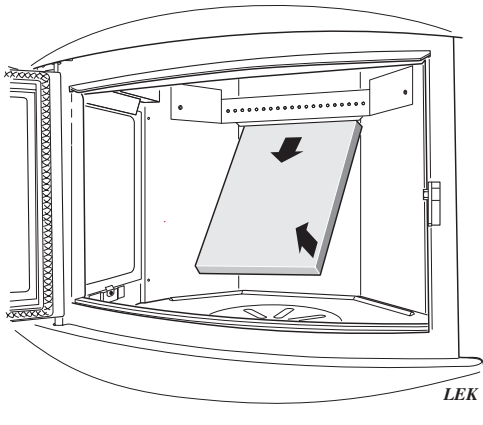
Remove the cast-iron cover strips below the side windows.



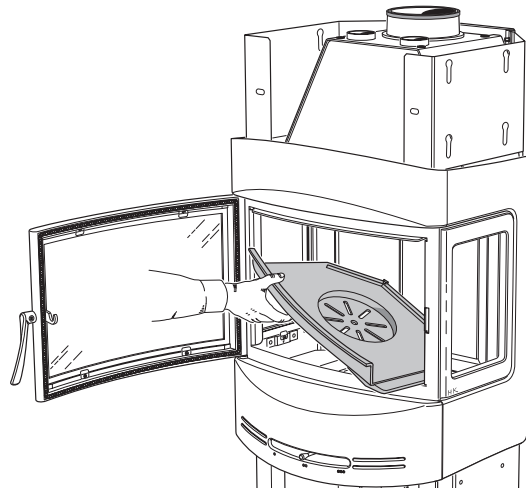
Unscrew the metal brackets from the rear edge of the side windows.



Remove the side bricks from the fire-box surround.



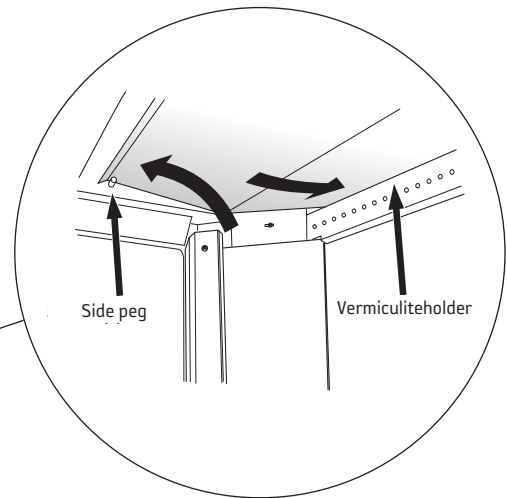
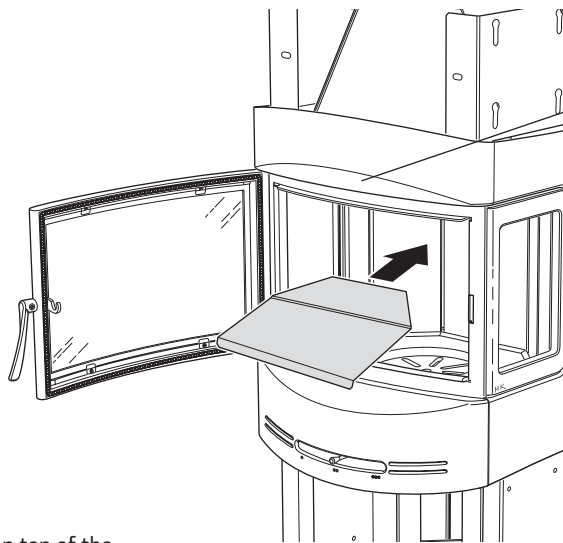
Remove the rear brick from the fire-box surround.



Lift the cast-iron fire-bed at one side and tilt it so that it can be removed through the door opening.

Installing the smoke baffle

Raise the folded front edge of the smoke baffle up over the side pegs. Then lift the rear edge of the baffle up over the vermiculite holder.

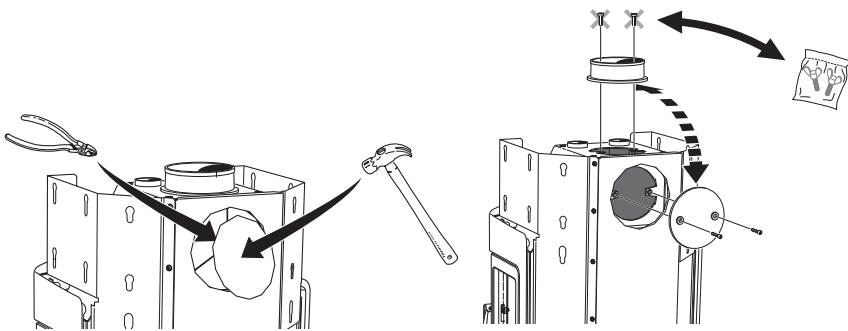


IMPORTANT!

When correctly placed on top of the supporting pegs, the baffle slopes upwards from the back to the front.

Top flue connection to a chimney

When installing the chimney, please refer to the manufacturer's installation instructions. Below we explain how to connect the chimney to the stove.



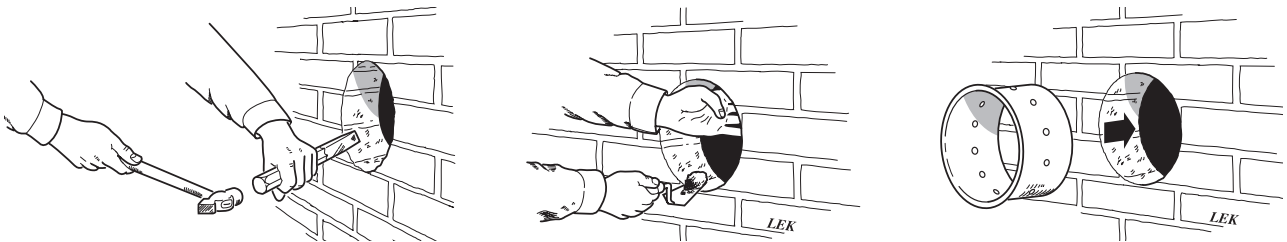
In the bag with these installation instructions are two wing screws for the cover.

Stoves are supplied from the factory ready for connecting to a top flue. To prepare the stove for connection to a rear flue, the connecting collar and covering cap need to change places.

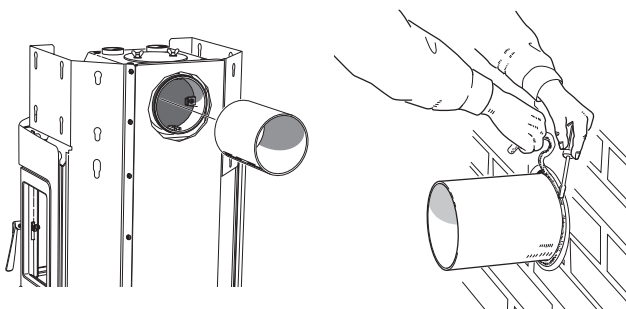
Use a hammer to tap out the punched metal cover in the stove's rear panel. Cut away the metal cover in the heat reflector with side-cutting pliers.

Rear flue connection to masonry chimney

Mark out the centre of the hole to be made in the wall for a rear flue connection. Check the height to make sure that the hole aligns with the chimney connection on the rear of the stove.



Make a hole at least 180 mm in diameter and then secure the flue collar in place in the wall using heat-proof mortar (not supplied). Allow the mortar to dry before connecting the stove to the flue.

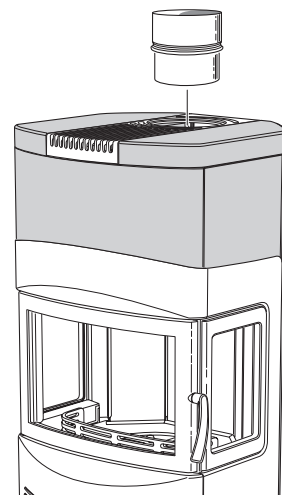


Fit the connecting sleeve between the stove and the flue collar in the wall. Make sure that the gasket does not work loose from its position. Seal the joint between sleeve and collar with sealing rope, or use heat-resistant sealant for a tighter seal.

Top flue connection

Slide the flue base over the collar. Make sure that the seal round the collar is not dislodged. If further sealing material is required, heat-resistant sealant may be used.

Important!
When connecting the stove to a top flue, make sure you fit the hot-air vent and the screen before the chimney.



Fitting the soapstone surround

Each tile is assigned a name and number, according to the scheme illustrated below. Certain tiles can be used in more than one position and therefore have the same number. We recommend that the tiles are fitted in the order described on the following pages.

Important! Handle soapstone with care. The tiles scratch easily and may be marked by oil and grease.

Left top stone
403361

Upper front stone
403357

Lower left side stone
403355

Lower front stone
403353

Right top stone
403360

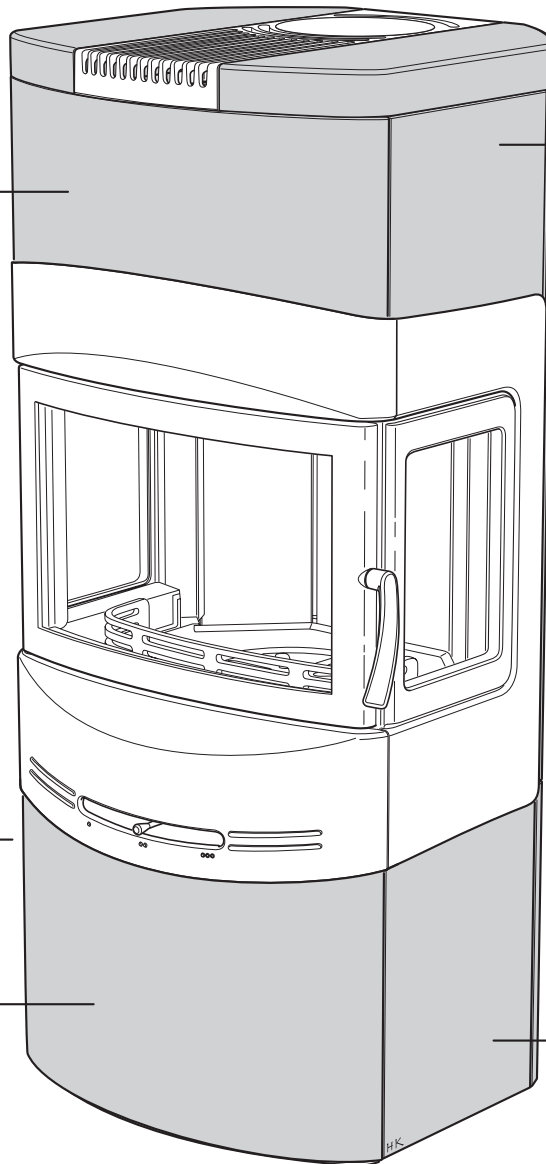
Upper side stone
403358

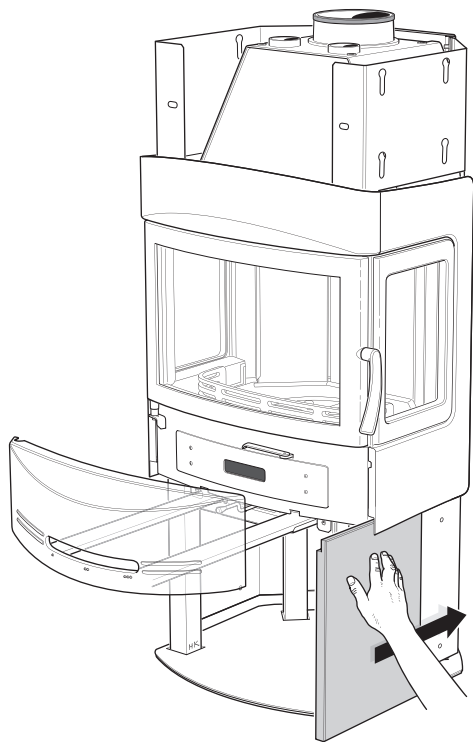
Upper rear stone
403359

Intermediate rear stone
403362

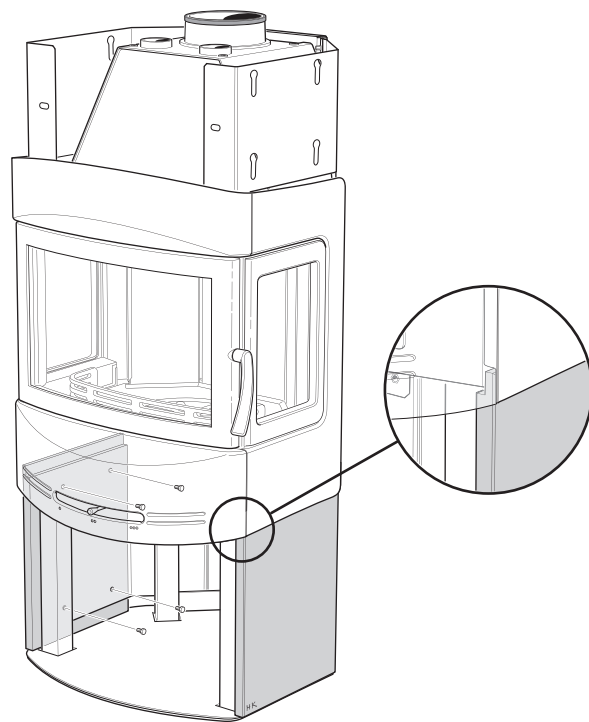
Lower rear stone
403356

Lower right side stone
403354

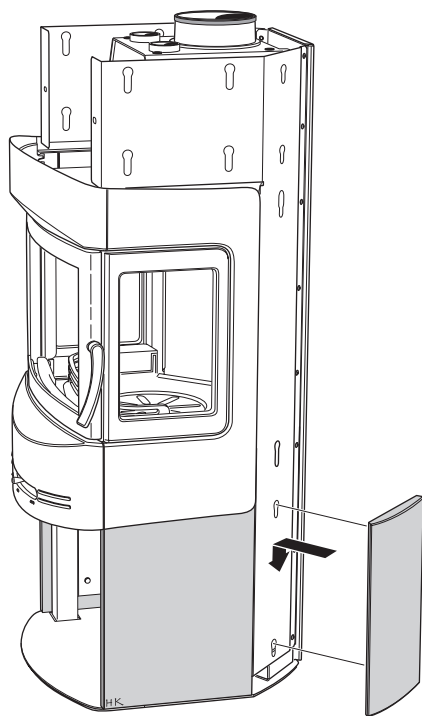




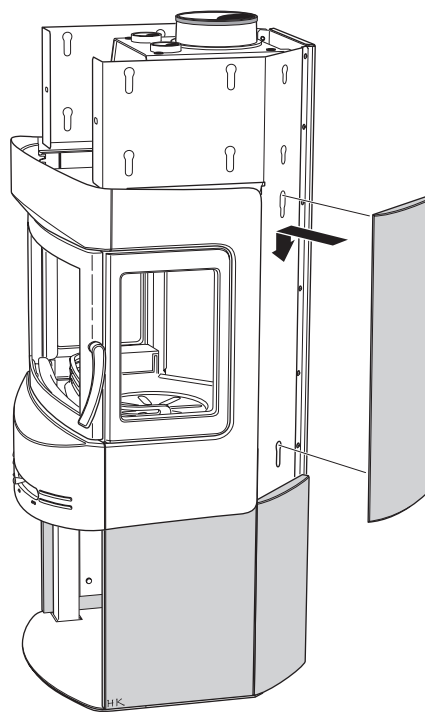
Place the stove body on the base-plate. Slide the right- and left-hand side stones into place from the front. Press the stone gently in towards the stove body to prevent it from being scratched by the side pieces.



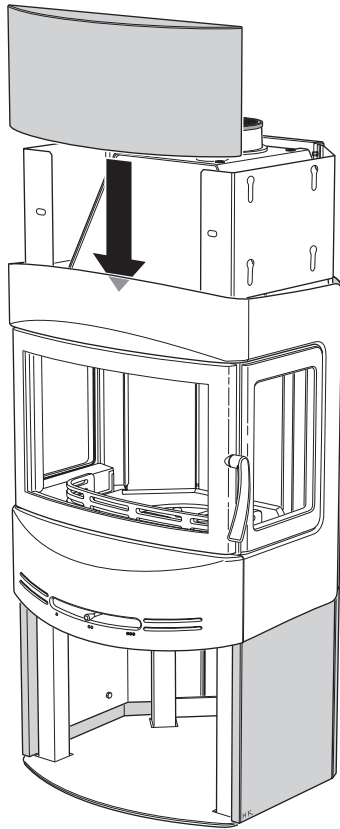
Secure each stone with 4 screws (M6x8). The side stone should fit flush with the front edge of the side piece.



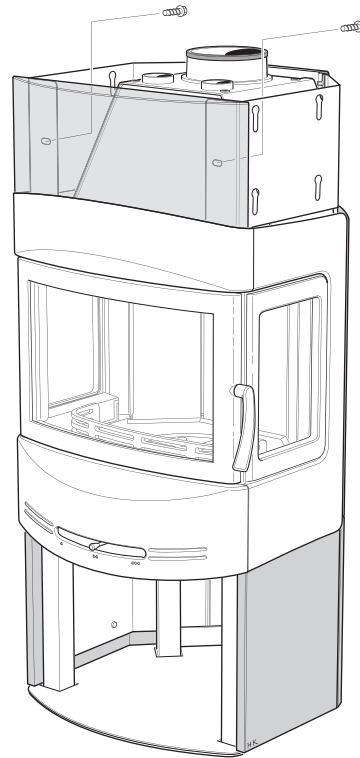
Hook the lower rear stones into place.



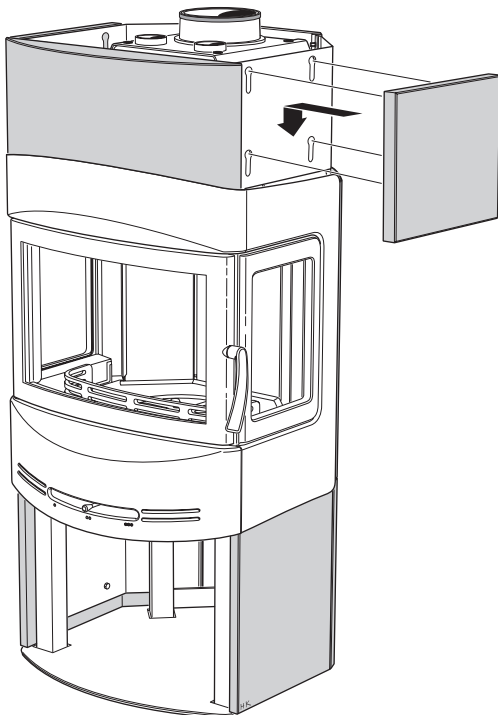
Hook the intermediate rear stones into place.



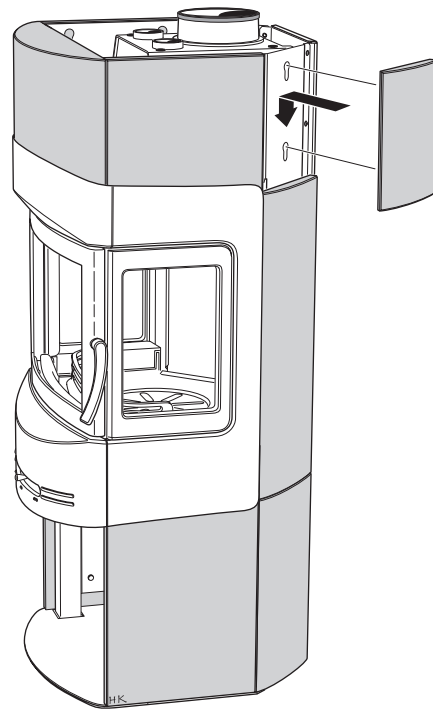
Slide the upper front stone into place behind the upper front piece of the stove. Take care not to damage the edge of the front piece.



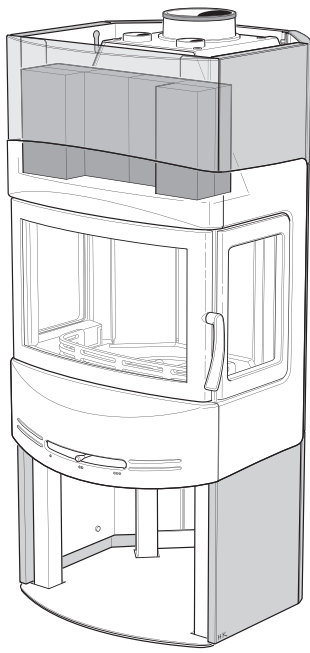
Secure the upper front stone with 2 concrete screws ($\varnothing 6 \times 30$). Do not tighten the screws fully until all the side stones have been fitted.



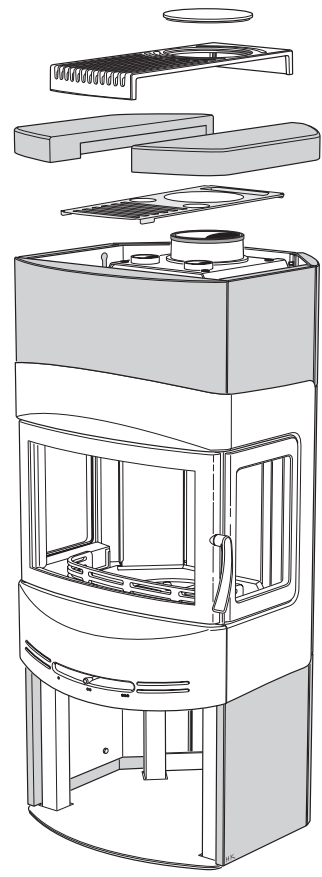
Hook the upper side stones into place.



Hook the upper rear stones into place.

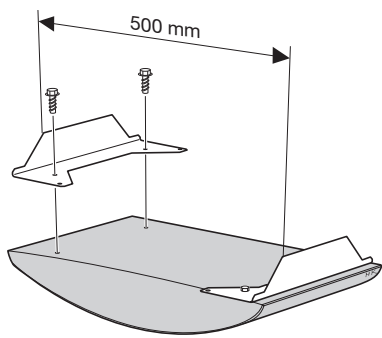


Place the six olivine blocks on top of the fire-box as shown above.

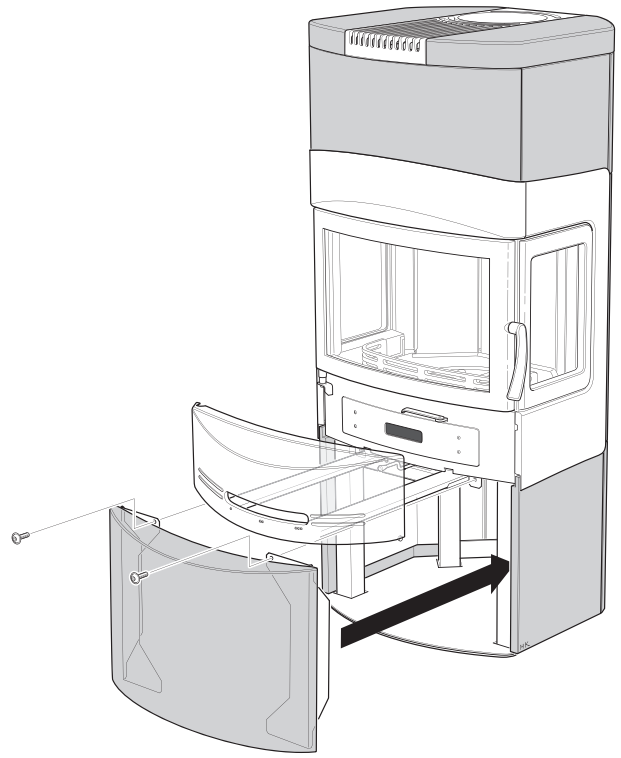


Fit the screen, top grille and top stones. If the stove has a rear flue connection, place the covering plate on top of the top grille.

NOTE!
If a fan is to be installed on the stove, this must be done before the lower front stone is fitted (see page 62).



Screw the brackets into place on the lower front stone with 4 concrete screws ($\text{Ø}6 \times 30$). Check that the distance between the outside edges of the brackets is 500 mm.

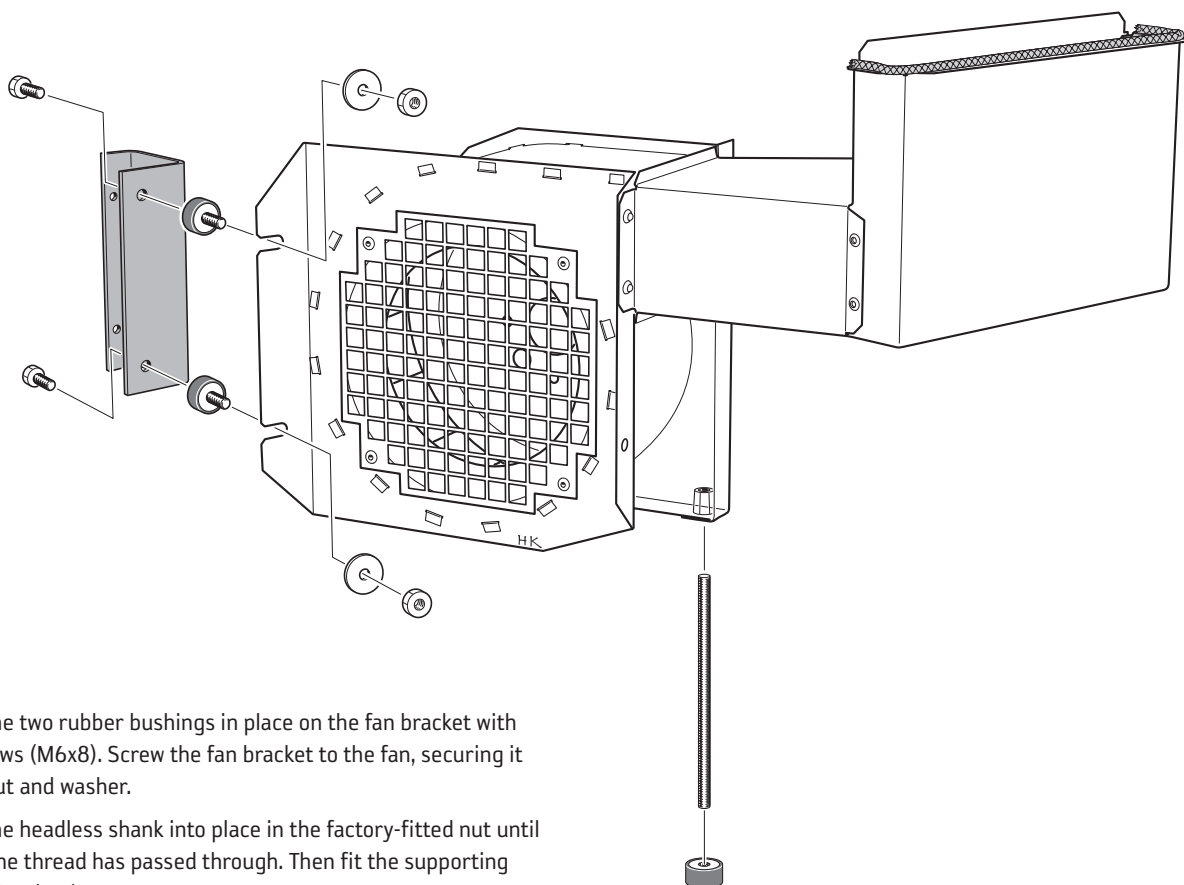


Remove the lower front section. Lift up the front stone and slide it into place. The brackets should be held in place between the lower side stones and the metal panels. Fit the front stone to the stove body with two socket head screws ($M5 \times 12$). All that is needed is a slight turn of the screws.



This appliance may be used by children over the age of 8 years, by persons with reduced physical, sensory or mental capabilities and by persons with a lack of experience or knowledge provided that they are supervised and have been instructed how to use the appliance in a safe way and they understand the hazards involved. Children must not play with the appliance. Children must not clean or carry out maintenance on the appliance unless they are being supervised.

Installing the fan (optional extra)

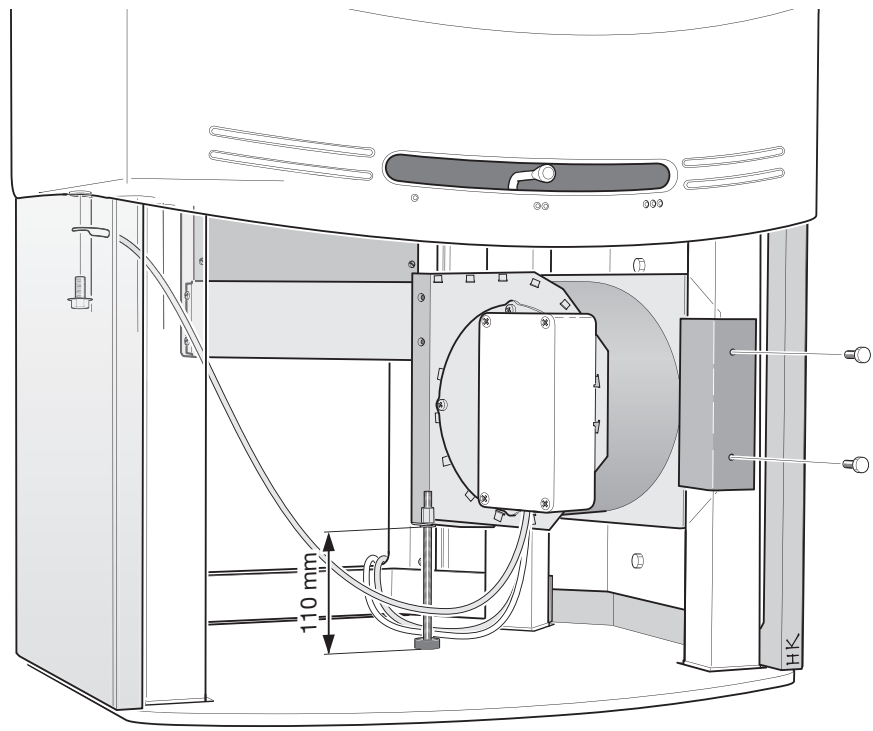


Screw the two rubber bushings in place on the fan bracket with two screws (M6x8). Screw the fan bracket to the fan, securing it with a nut and washer.

Screw the headless shank into place in the factory-fitted nut until half of the thread has passed through. Then fit the supporting foot to the shank.

WARNING!

The fan is operated by 230V. Failure to follow instructions is potentially lethal. No repairs, adjustments, etc. may be made to the fan or any of its components. Damage to the cable sheathing is potentially lethal. In the event of any defect or malfunction, return the fan to the place of purchase.



Place the fan assembly under the stove body between the two front legs. Fit the fan bracket to the front right-hand leg of the stove as shown. Then move the fan upwards until the bottom edge of the fan bracket is approximately 100 mm above floor level and the projecting metal edge (on the fan's air outlet box) slides into the groove in the stove base. Secure the fan bracket with 2 screws (M6x8) and adjust the shank so that the supporting foot is pressed firmly home against the base-plate. The fan's air outlet box should then press against the metal plate of the stove base.

Installing the sensor

Secure the sensor's cable socket with a screw (M6x20) on the underside of the fire-box. There is a pre-drilled hole on the left-hand side at the back of the stove. The cables for the electric plug and the control box for the fan pass through the rear of the stove. Fasten the control box to the wall with the screws supplied.

IMPORTANT!

The sensor may only be fixed with the cable socket. Damage to the cable sheathing is potentially lethal.

Operating instructions:

Plug the fan cable into the wall socket.
The control has eight positions.

Position (0) = Off.

Positions (1-4 auto) = Four different speeds: the fan starts/stops automatically when the stove becomes warm/cold.

Positions (1-3 Manual) = Three different manual speeds.

Automatic operation

The fan is activated approximately 15 minutes after a fire has been lit.

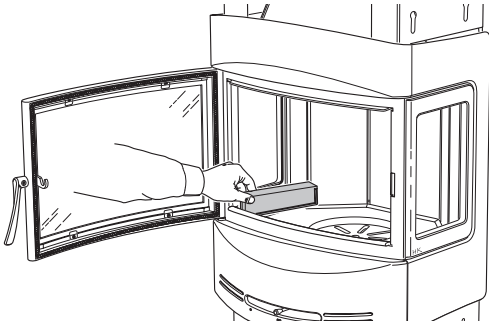
The fan switches off automatically approximately 2 hours after the fire has died down to embers.

If the stove is already warm and the dial is set to (auto), it will take a few minutes before the fan registers the temperature of the stove. Times can vary depending on the type and quantity of wood used. Dry wood, for example, causes the fan to start sooner, and a large bed of embers allows a longer cooling-off time.

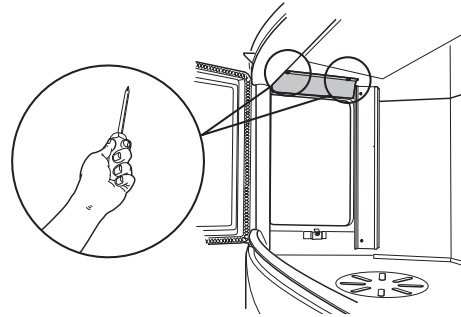
Technical specifications:

Electricity supply: 230V 50 Hz
Power rating: 40W

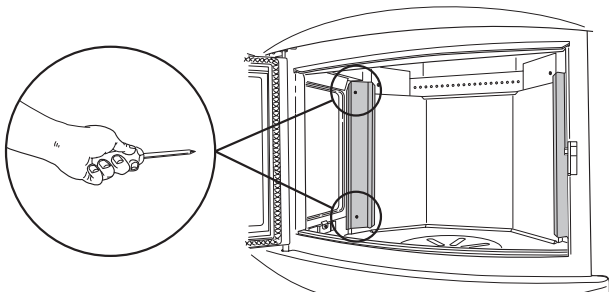
Fitting an extra glass side panel (optional extra)



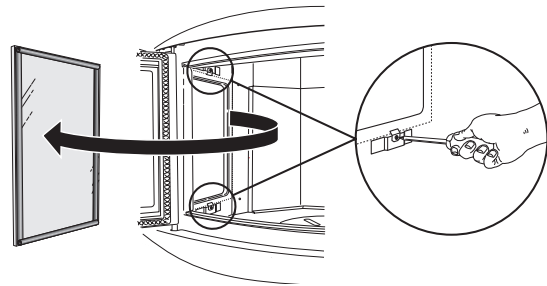
Remove the cast-iron cover strip under the side window.



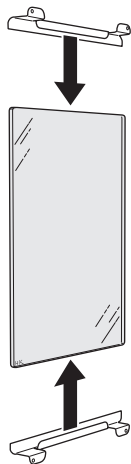
Unscrew the metal retaining bracket above the side window.



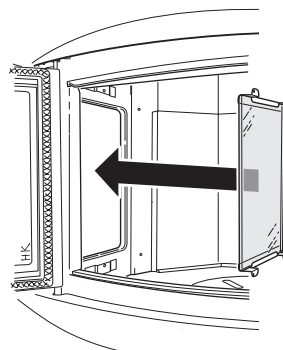
Unscrew the metal retaining bracket that holds the rear edge of the side window in place.



Unscrew the lugs along the top and bottom edges of the side window and then lift out the pane of glass.



Fit the brackets to the extra glass side panel.



Put the extra glass side panel in place and then refit the side window, the metal retaining brackets and the cast-iron cover strip.

How to use the stove

Under normal conditions we recommend that the stove burns 2 kg of wood per hour. The maximum permissible amount is 3.5 kg per hour. Most types of wood can be used: deciduous (broad-leaf) woods are preferable, as they generally burn more calmly. It is important that the wood is dry and that logs are of a suitable size: about 25–35 cm long and 7–9 cm in diameter. Always open and close the door slowly and carefully to prevent the sudden changes in pressure inside the stove which otherwise can cause a back-draught of smoke in the room.

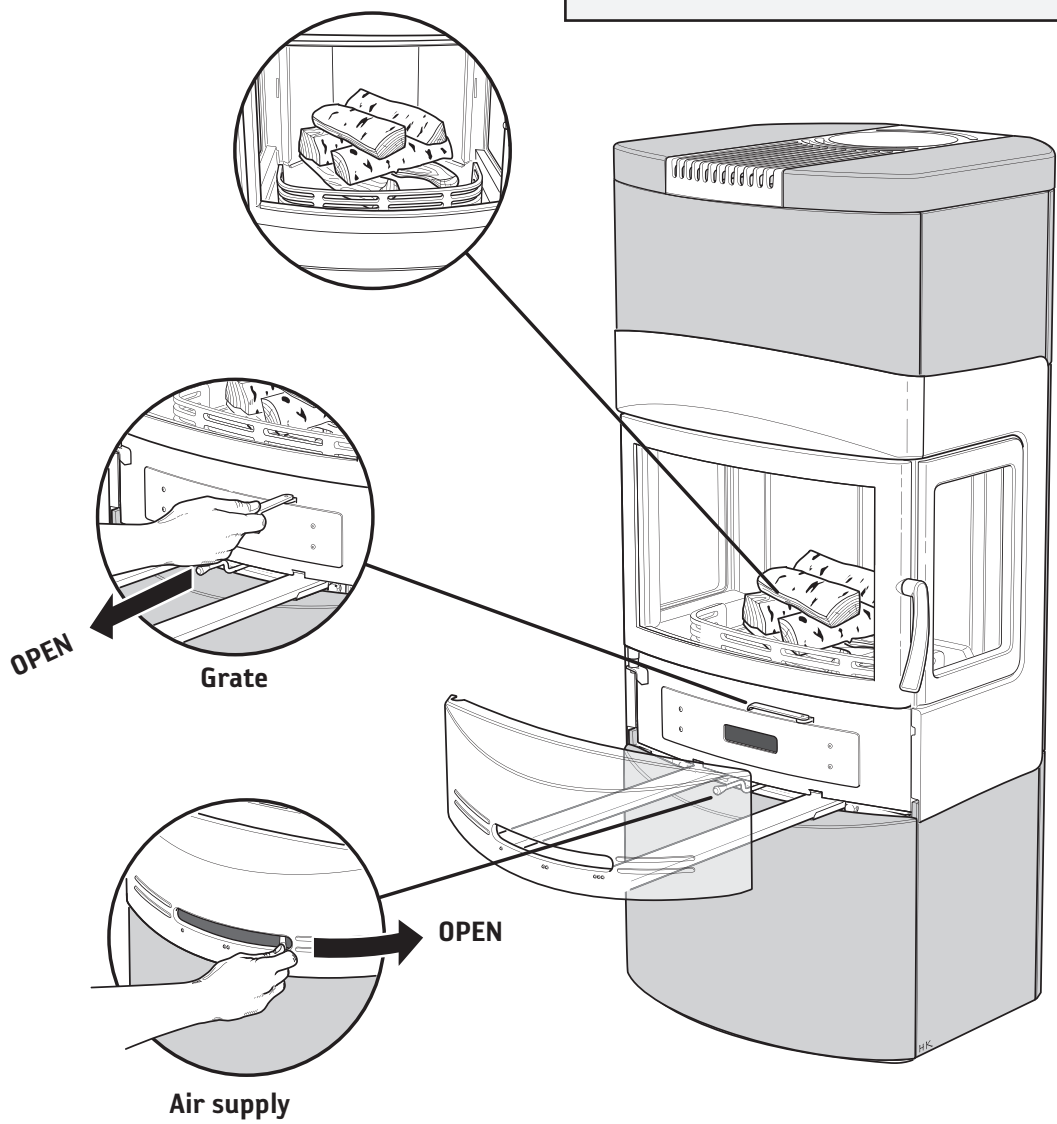
1. Open the air supply control by moving the damper spindle to the right.
2. Place newspaper or a firelighter in the fire-box. Then stack about 3–3.5 kg of fine-split logs on the fire-bed, laid in a criss-cross pattern as shown.
3. Light the fire.
4. Push the door to, but do not close it until the fire is burning well (after about 10–15 minutes).
5. When the first pile of logs has burnt down, stoke up the fire again by placing 3 or 4 logs (weighing 2–2.5 kg in all) on the embers.

Pulling out the grate shuttle lever opens the grate disc to allow ashes to be shaken down into the ash-pan.

Note, however, that if the grate disc is open continuously while the stove is in use, there is a risk that the stove and chimney may be damaged by overheating.

Important! It is essential that the wood starts to burn quickly. Smouldering produces excessive amounts of smoke and may, in exceptional circumstances, cause the fumes produced to ignite spontaneously and damage the stove. You can get the logs to burn quickly by opening the grate disc for a short while after re-stoking the fire, or by leaving the door ajar until the wood is burning.

Important!
Before the stove is used, it must be inspected by an authorised chimney sweep or the relevant authority. Please read carefully through the separate "Lighting and Maintenance Instructions for the Contura 400 series" before lighting the stove for the first time.



511130 IAV SE/EX -7
2018-09-12

Contura

NIBE AB · Box 134 · SE-285 23 · Markaryd · Sweden
www.contura.eu

Contura reserves the right to change dimensions and procedures described in these instructions at any time without special notice. The current edition can be downloaded from www.contura.eu