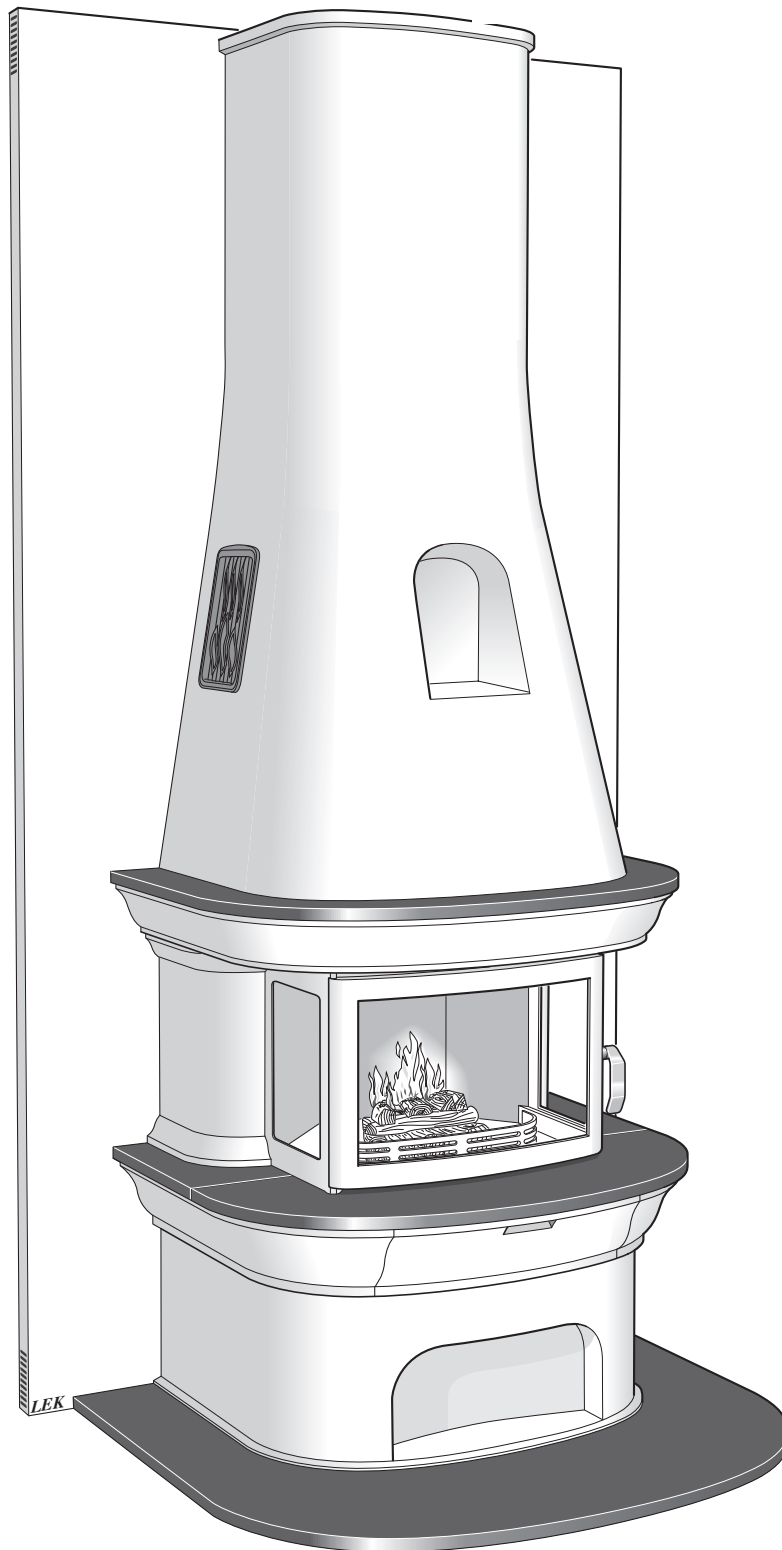


GB	Installation instruction	1
DE	Installationsanleitung	20
DK	Monteringsvejledning	40
NO	Installasjonsanvisning	60
FI	Asennusohje	80

Installation instruction



C 460

Contura

PERFORMANCE DECLARATION

No. C460-CPR-130605-SE-1

Contura

PRODUCT

Product type Stove lit with solid biofuels
Type designation Contura 460
Manufacturing number See rating plate on the stove
Intended area of use Heating of rooms in residential buildings
Fuel Wood

MANUFACTURER

Name NIBE AB / Contura
Address Box 134, Skulptörvägen 10
SE-285 23 Markaryd, Sweden

CHECKS

According to AVCP System 3
European standard EN 13240:2001 / A2:2004
Test institute Rein-Ruhr Feuerstätten Prüfstelle, NB 1625,
has checked declared performance and issued test report no. RRF-40 05 932

DECLARED PERFORMANCE

Essential characteristics	Performance	Harmonised technical specification
Reaction to fire	A1 WT	EN 13240:2001 / A2:2004
Minimum distance to combustible material	50 mm to rear 330 mm to side Other safety distances according to the installation instructions	
Risk of falling embers	Approved	
Emissions from combustion	CO 0.12% NOx 25 mg/m ³ OGC 84 mg/m ³ PM 67 mg/m ³	
Surface temperatures	Approved	
Cleaning options	Approved	
Mechanical durability	Approved	
Emissions of hazardous substances	Approved	
Nominal output	7 kW	
Efficiency	80%	
Flue gas temperature in connector at nominal output	255°C	

The undersigned is responsible for the manufacture and conformity with the declared performance.



Niklas Gunnarsson, Business area manager NIBE STOVES
Markaryd, 1st July 2013



A warm welcome to Contura

A warm welcome to the Contura family. We hope you will get a great deal of pleasure from your new stove. As a new owner of a Contura stove, you have secured a product with timeless design and long service life. Contura also has a combustion process that is both environmentally friendly and efficient, for the best heat production.

Read through these installation instructions carefully before installation. Read how to best light your stove in the lighting instructions.

Contents

Technical specifications	2
Installation distances to walls and ceiling	3
Air supply	4
Unpacking	5
Fitting the fire-box surround	6
Fitting the smoke baffle	6
Positioning the base-plate	7
Making a hole through the ceiling	7
Installing the C-460 wall-protection panel	7
Fitting the rear panel	8
Positioning the fire-box	9
Installing the heat-retaining blocks	9
Top flue connection to steel chimney	9
Rear flue connection to masonry chimney	10
Assembling the concrete surround	11-17
How to use the stove	18

NOTE!

Report the installation of a stove to your local authority.

The owner of the house is personally responsible for ensuring compliance with the mandatory safety requirements and must have the installation approved by a qualified inspector. Your local chimney sweep must also be informed about the installation as this will affect the routines for regular chimney-sweeping services.

WARNING!

The stove becomes very hot

During operation, certain surfaces of the stove become very hot and can cause burn injury if touched. Also, take heed of the strong heat radiated through the door glass. Placing flammable material closer than the safe distance indicated may cause a fire. Smoulder combustion can cause quick gas ignition with the risk of damage to property and personal injury.

Technical specifications

Output	3–9 kW
Efficiency, up to	80 %
Weight, tall model	370 kg
Weight, low model	340 kg
Weight: height extension piece 400 mm	20 kg
Weight: height extension piece 100 mm	5 kg
Weight: marble floor slab.	26 kg
Stove width	890 mm
Depth	700 mm
Height, tall model	2380 mm
Height, low model	1590 mm
Connecting sleeve (internal dia.)	Ø150 mm

Type approved in accordance with:
 European standard EN-13240 class 1
 Swedish environmental and quality certification,
 "P marked" cert. no. 22 03 07
 Swedish type approval, cert. no. 0887/99
 Norwegian standard NS 3059, certificate no. 043-088
 German standard DIN 18.891, RO-91 00 138
 Danish standard 887-1, id nr 598

General information

This folder contains instructions on how to assemble and install stoves in the Contura 460. The stove also comes with comprehensive Lighting and Maintenance Instructions. Please take time to read all this information carefully and keep it in a safe place for future reference.

Contura 460 stoves have been type-approved in Sweden for connection to a chimney which can withstand flue gas temperatures of 350°C. The connecting sleeve has an external diameter of 150 mm.

To ensure proper combustion, sufficient air must be supplied to the stove from outdoors.

Building permission

It may be necessary for you to apply for building permission from your local planning authority before installing a stove or erecting a chimney. Before starting installation work, make sure that you check which regulations apply.

Structural support

Check to make sure that the floor is strong enough to support the weight of the stove and chimney. If you intend to locate the stove on standard wooden floor joists, contact a professional builder to make sure that the construction will withstand the load. If the total weight of the stove and the chimney together does not exceed 400 kg it is not normally necessary to reinforce the wooden floor joists.

Floor plate

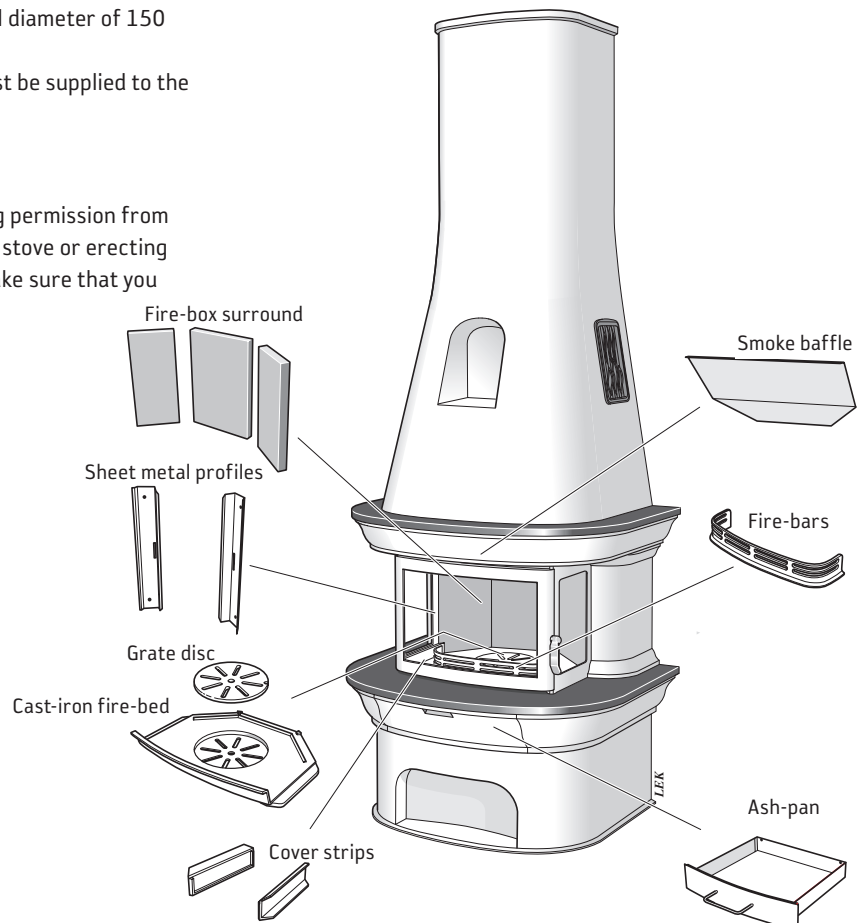
To protect the floor from sparks and falling embers the stove must stand on a non-combustible surface which extends at least 300 mm in front of the stove and 100 mm along each side. As other statutory requirements apply in some countries, we recommend that you consult the relevant authority or an authorised chimney-sweep in your area.

Chimney

The draught in the chimney must generate a negative pressure of at least 12 Pa. The draught is affected both by the length and cross-sectional area of the chimney, and by how well sealed the construction is. The shortest recommended chimney length is 3.5 metres. The cross-sectional area of the chimney must be approximately 150–200 cm² (140–160 mm in diameter). Make sure that there are no gaps around soot hatches and flue-pipe connections.

Remember that the draught is reduced in flues with sharp bends or horizontal sections. A horizontal flue length of up to 1.0 metre is permissible, provided that the vertical flue is at least 5.0 metres in height.

It must be possible to clean the flue throughout its entire length, and the soot hatches must be easily accessible.



Air supply

Combustion air for the stove can be supplied through a duct directly from outside, or indirectly through a vent in the wall of the room where the stove is installed. Flexible tubing is available as an accessory.

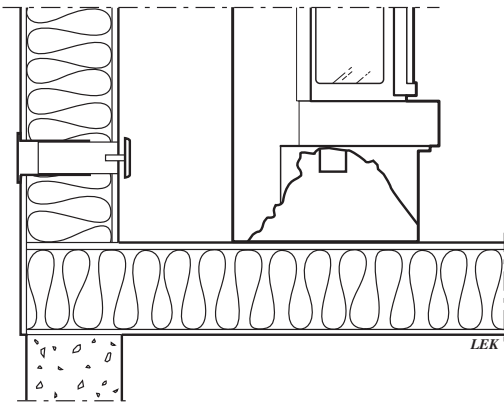
The drawings below show various alternative methods of supplying the stove with air.

The air duct connection on the stove has an external diameter of 64 mm.

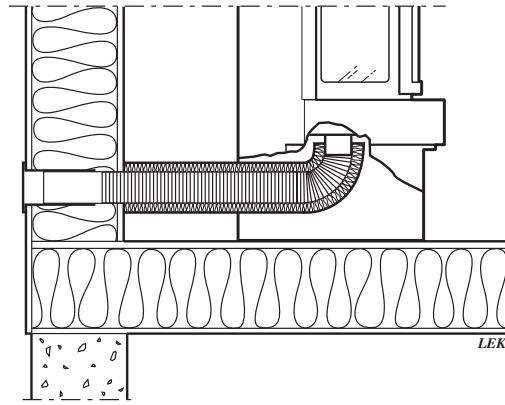
Important!

To prevent condensation in air ducts which pass through heated areas, the duct must be insulated with 30 mm of mineral wool covered with aluminium tape.

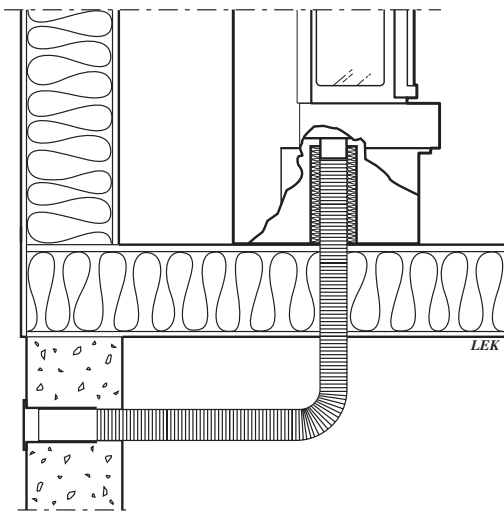
It is important to seal carefully around the duct where it passes through the wall or floor. Use jointing compound. For ducts longer than 1.0 metre, the diameter must be increased to 100 mm, and the size of the air vent increased correspondingly.



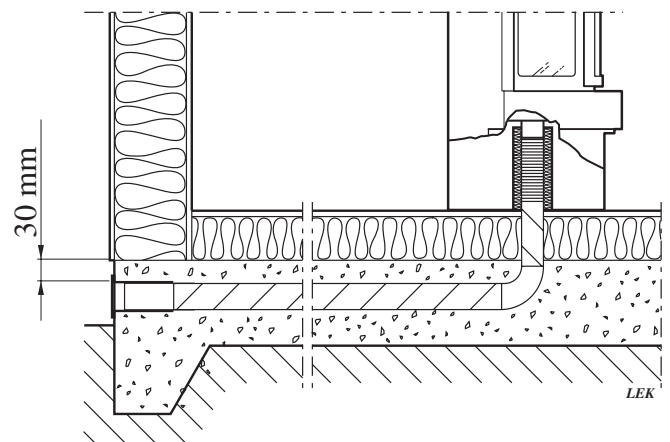
Indirect air supply through the external wall.



Through the external wall.



Through a suspended floor/wall-and-cavity foundation.



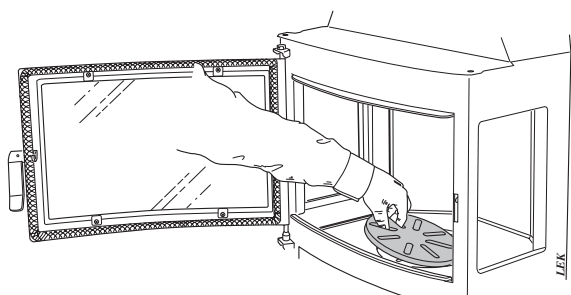
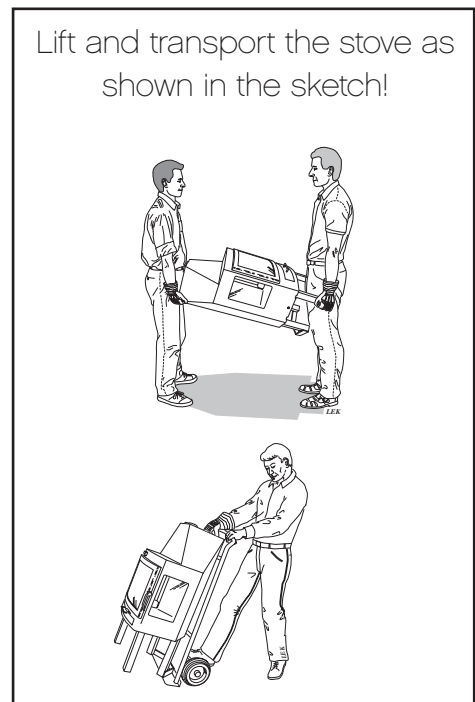
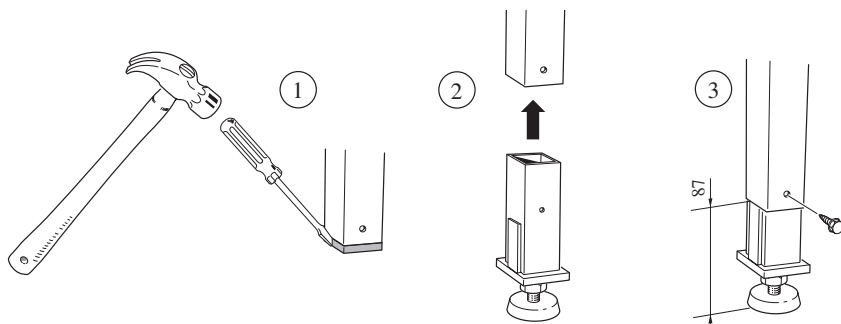
Through the floor and foundation slab.

Unpacking

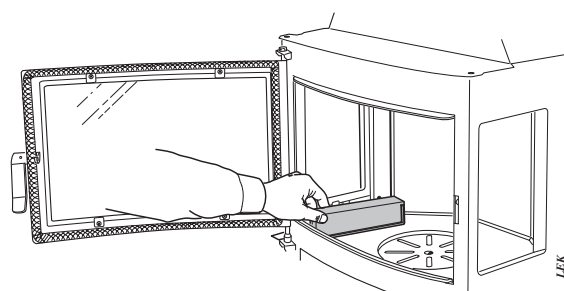
The cast-iron door and fire-bed may be removed to make the stove lighter and easier to move.

First remove all the components from the fire-box and place the steel profiles and metal plates on one side.

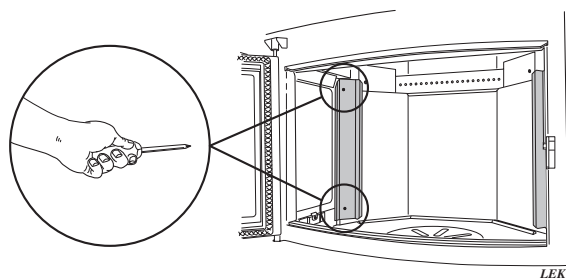
Unsecure the stove on the delivery pallet and fit the extension legs using the hexagon screws. By fitting these legs before removing the stove from the pallet you can avoid scratches to the floor. Raise the fire-box to a height of 87 mm and tighten the lock-nut.



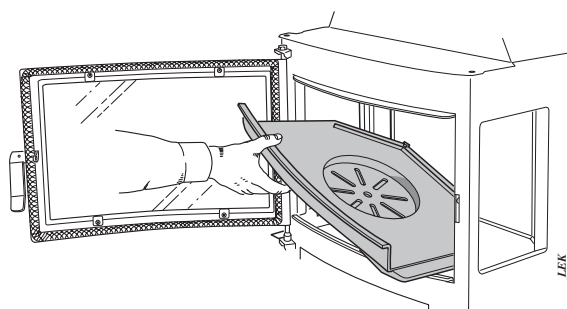
Remove the grate disc by lifting the edge furthest away from the draught control bar.



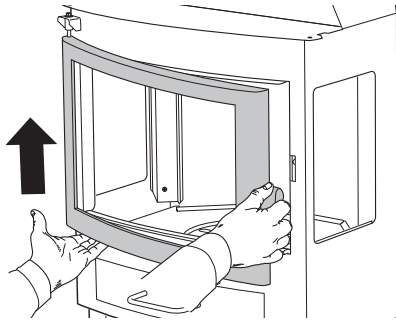
Remove the cast-iron cover strips below the side windows.



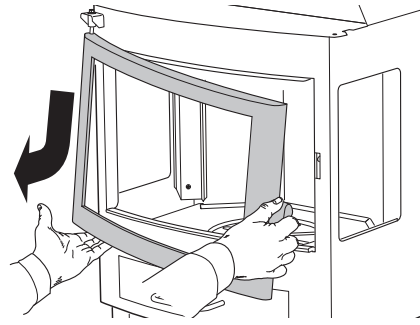
Unscrew the metal brackets from the rear edge of the side windows.



Lift the cast-iron fire-bed at one side and tilt it so that it can be removed through the door opening.

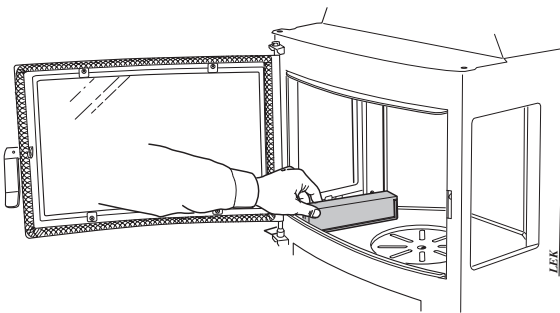


Lift the door upwards until it disengages from the lower hinge.

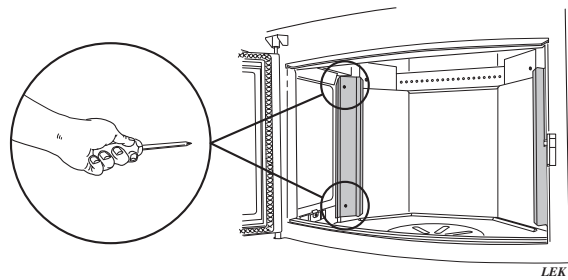


Ease the bottom of the door slightly sideways until it clears the hinge pin. Lower the door to disengage it completely.

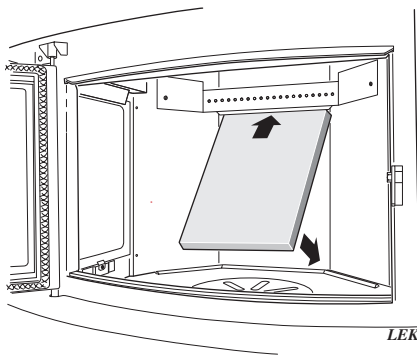
Fitting the fire-box surround



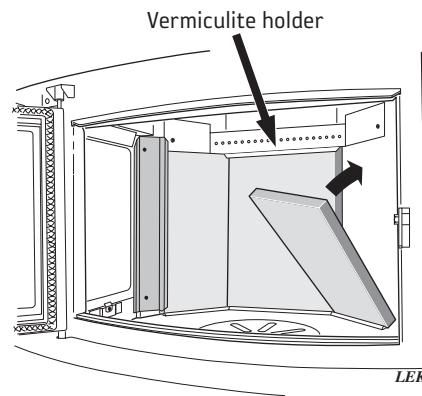
Remove the cast-iron cover strips below the side windows.



Unscrew the metal brackets from the rear edge of the side windows.



Fit the rear fire-brick.



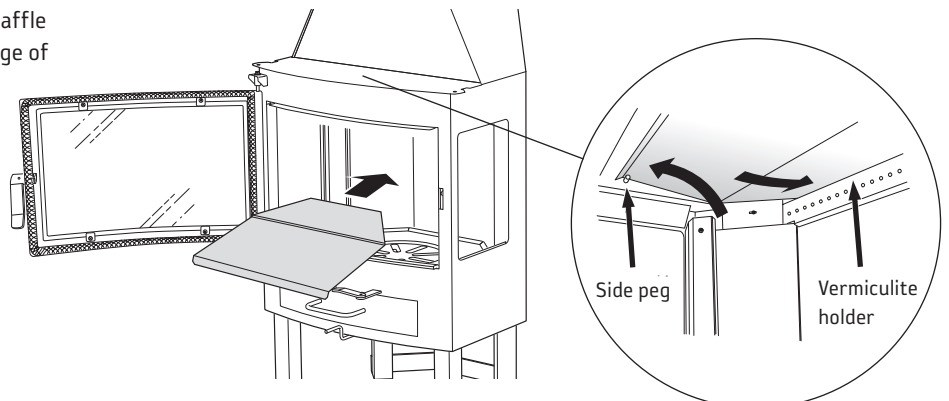
Slot the two front fire-bricks. Screw the retaining brackets back into place and replace the cover strips.

Fitting the smoke baffle

Raise the folded front edge of the smoke baffle up over the side pegs. Then lift the rear edge of the baffle up over the vermiculite holder.



When correctly placed on top of the supporting pegs, the baffle slopes upwards from the back to the front.

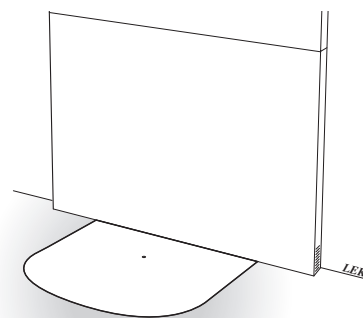


Positioning the base-plate

The metal template indicates the position of the stove body, the concrete surround and the hole in the ceiling for the flue. The rear edge of the surround will later be aligned exactly with the rear edge of the template.

Place the base-plate on the floor – after first ensuring that you have observed all the requisite safety distances (see page 3) – so that the hole in the plate that marks the centre of the chimney is at the required distance from the wall. If a wall protection panel is to be installed, the template is fitted against the panel.

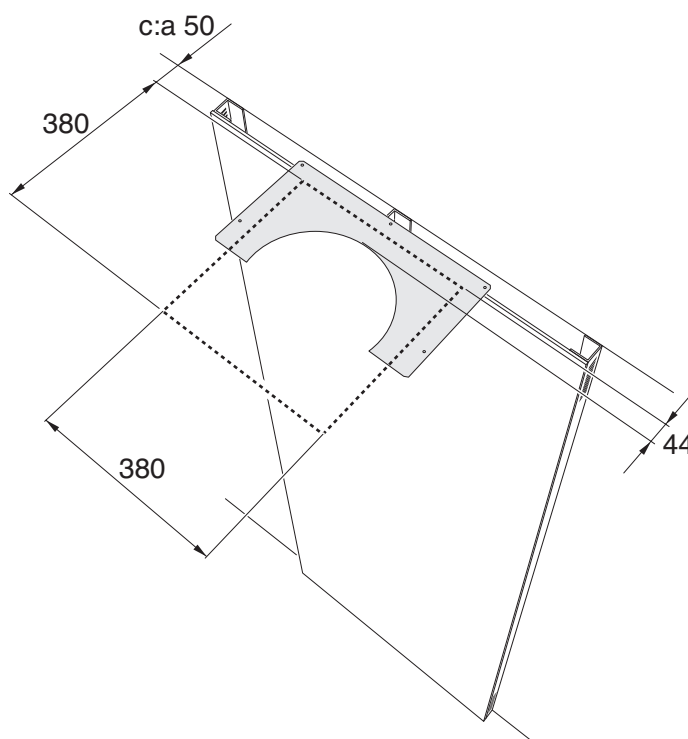
Screw the base-plate to the floor.



Making a hole through the ceiling

When drawing a flue from the top of the stove to a steel chimney, you need to make a hole through the ceiling. Ensure that the centre of the hole is directly above the mark on the base-plate (the floor template) that indicates the centre of the chimney. For chimney installation, please refer to the installation instructions supplied with the chimney.

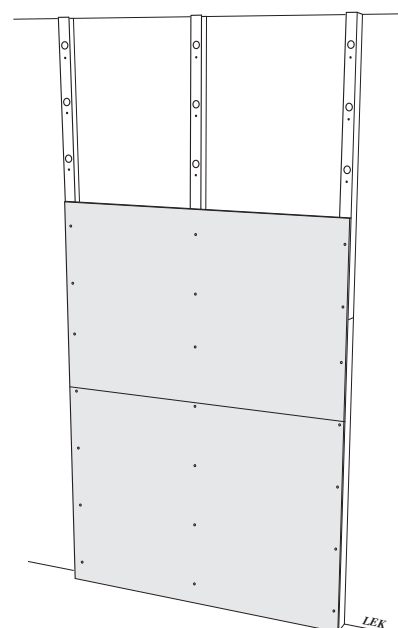
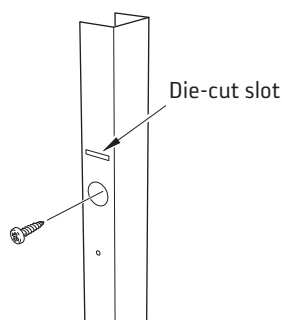
At this stage fit only the rear section of the ceiling insulation. It is important that the ceiling insulation plate is centred over the hole in the ceiling.



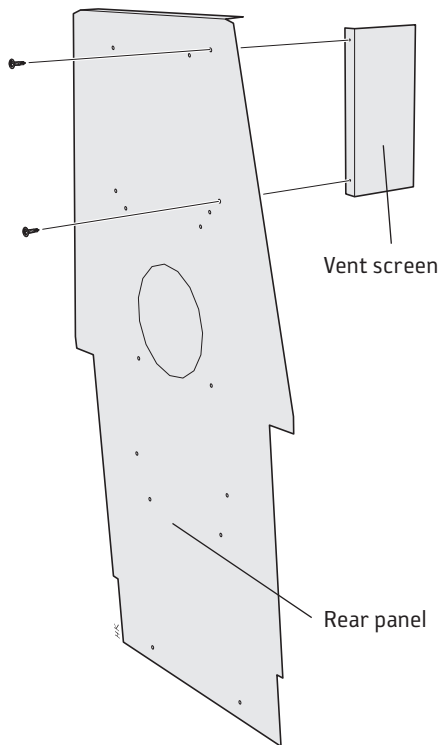
Installing the C-460 wall protection panel

Screw the outer steel profiles to the wall 1200 mm apart. Ensure that they are absolutely perpendicular. Place the air holes by the floor and ceiling. The two profiles are 2500 mm long. If the ceiling is lower, use a hacksaw or metal shears to cut the profiles to the appropriate height. To make this easier, there is a die-cut slot 100 mm from the end (see illustration). Place the two remaining profiles between the outer ones.

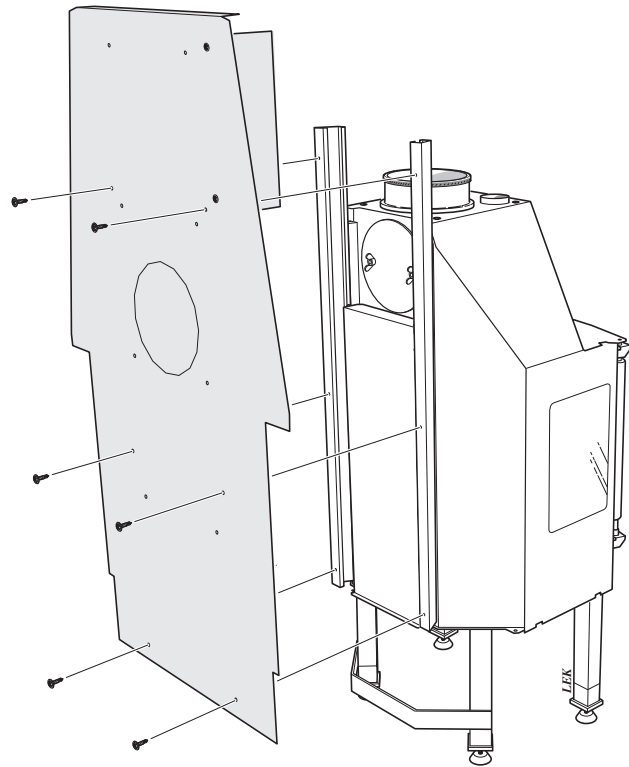
Cut the minerit boards to the desired width. Position the minerit boards edge to edge with a bead of acrylic sealant in the gap and screw them into place with the supplied screws. Do not install the upper board until the rear section of the headlining seal has been installed.



Fitting the rear panel



Secure the vent screen to the rear panel.

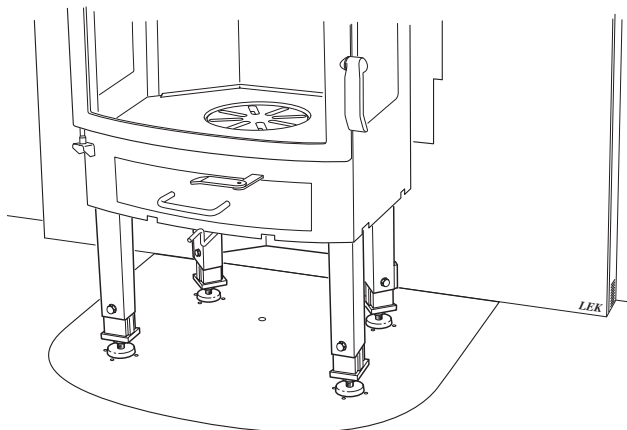


Screw the rear panel to the supporting profiles of the stove body.

Positioning the fire-box

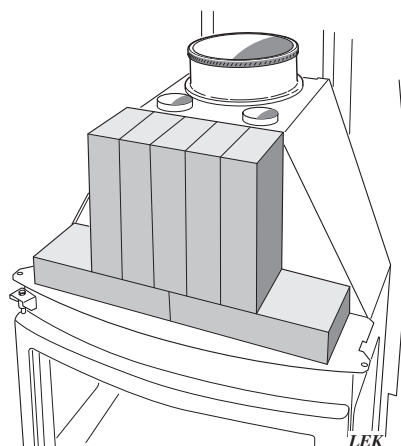
Position the fire-box on the template so that the front legs are centred over the markings.

Fit the fan (optional accessory) in accordance with the Installation Instructions for Fan 2000/C460.



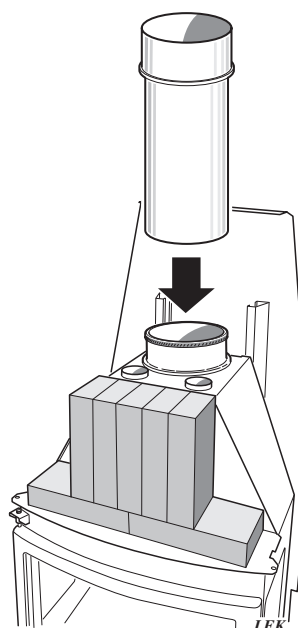
Installing the heat-retaining blocks

Place the seven olivine blocks on the ledge as shown.



Top flue connection to steel chimney

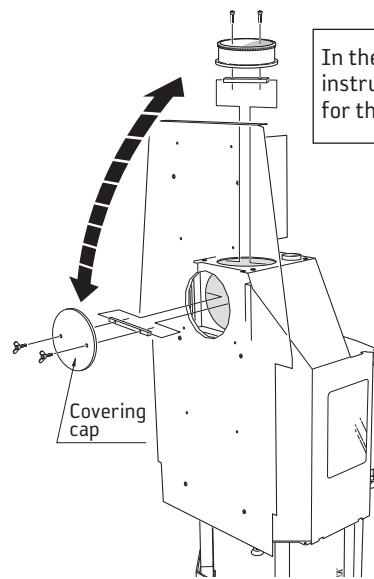
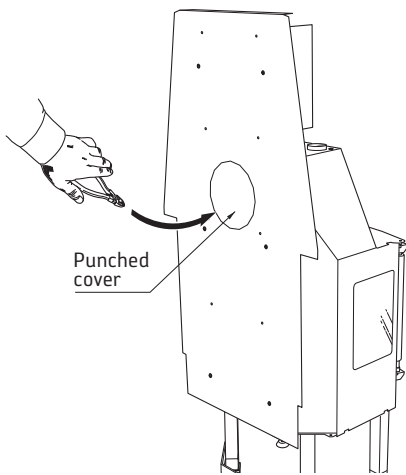
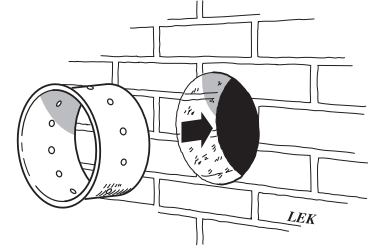
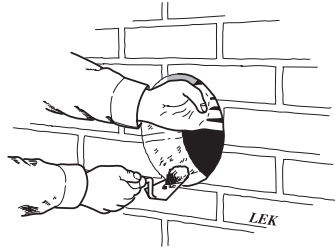
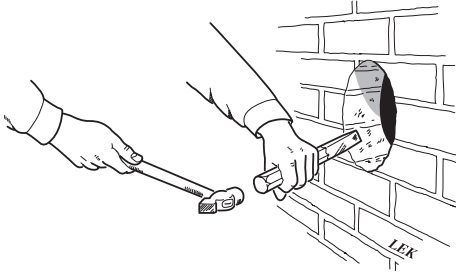
Follow the instructions on page 7 when making a hole through the ceiling. Slide the flue base over the collar. Make sure that the seal round the collar is not dislodged. If further sealing material is required, heat-resistant sealant may be used.



Rear flue connection to masonry chimney

Mark out the centre of the hole to be made in the wall for a rear flue connection. Make a hole at least 180 mm in diameter and then secure the flue sleeve in the wall using heat-proof mortar (not supplied).

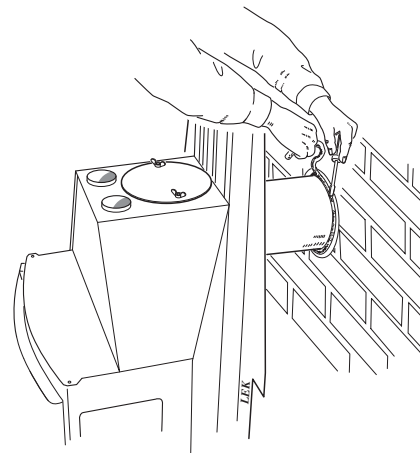
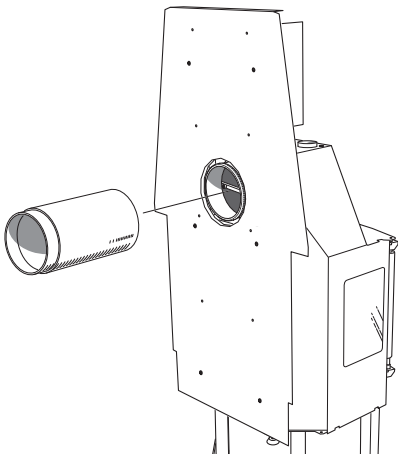
Check the height to make sure that the hole aligns with the chimney connection on the rear of the stove. Leave the mortar to dry before connecting the stove to the flue.



In the bag with these installation instructions are two wing screws for the cover.

For rear flues, cut away the punched metal covers on the rear panel and the heat reflector.

The stove has been prepared for top-flue connection before delivery. For rear flue connections the collar and cover need to exchange places.

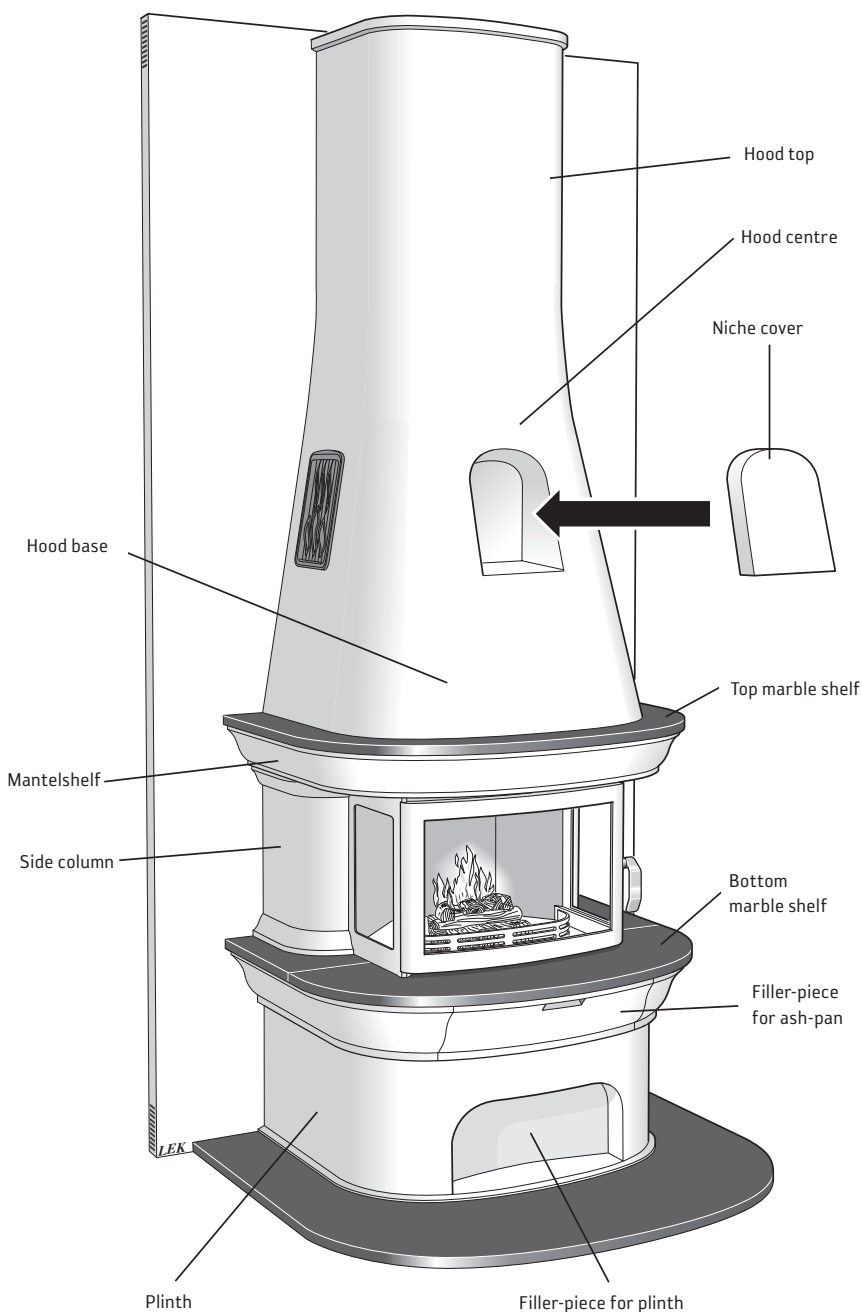


Slide the connecting flue over the collar. Make sure that the seal round the collar is not dislodged. If further sealing material is required, heat-resistant sealant may be used.

Seal the joint between the sleeve and the connecting flue with sealing rope.

Assembling the concrete surround

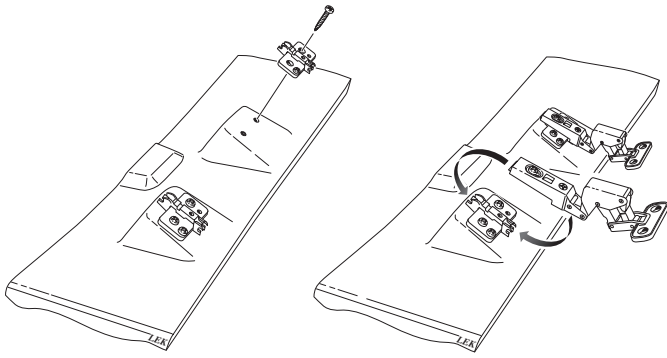
Before starting the assembly work, check to make sure that none of the concrete components have any hairline cracks that run all the way through. When assembling the surround, use the cement supplied to bond the sections together. Mix 1 part water with 2 parts cement. It is important that the various components are assembled so that the finished construction is straight and true, both horizontally and vertically. Placing the cement in little heaps rather than spreading it out as a bed of cement makes it easier to ensure that the construction is horizontal. For the best adhesion, it is advisable to wet surfaces that are to be joined. The cement bed should be 1-2 mm thick when the sections have been assembled and any surplus cement has been pressed out.



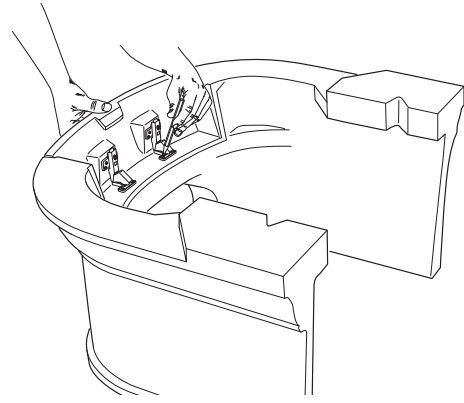
The supplied silicone is used to secure the marble shelves and to attach the concrete sections to the rear wall. When sealing the joint to the rear wall, only the paint-over acrylic sealant must be used.

The silicone can also be used to repair any slight unevenness in the concrete blocks and any minor damage.

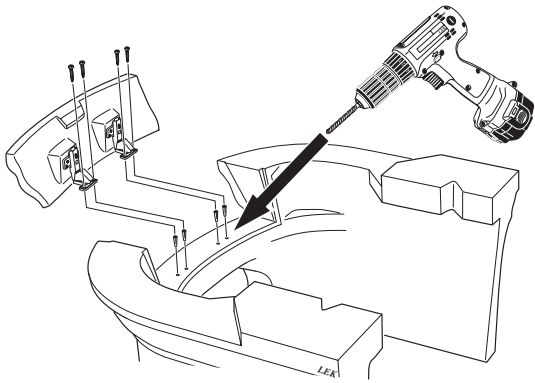
When the fire is lit, the metal in the fire-box expands, so it is absolutely essential that the concrete surround does not come into contact with the stove body. Check that there is a gap of at least 2-3 mm between the stove body and the surround.



File off any uneven edges on the inside of the door. Screw the mounting plate for the hinge into place in the pre-drilled holes in the door, and then fit the hinge to the mounting plate.



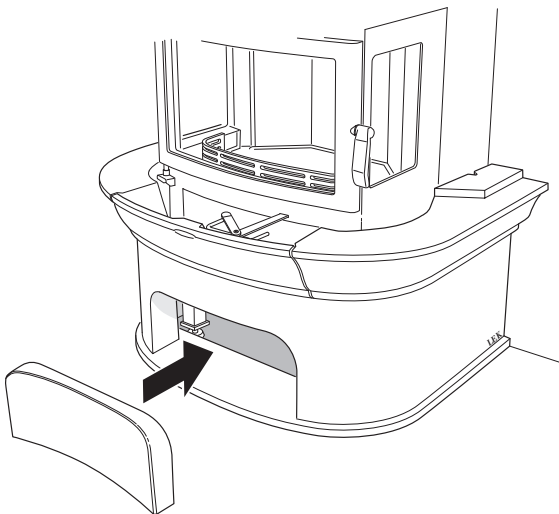
Place the hatch in the gap in the plinth and make drilling marks.



Drill as marked with a 5 mm drill. Press screw plugs into the holes and screw the hinges into place. Adjust the hatch to an exact fit by turning the adjusting screws on the hinges. Turn the screw as indicated by the arrows stamped into the metal.



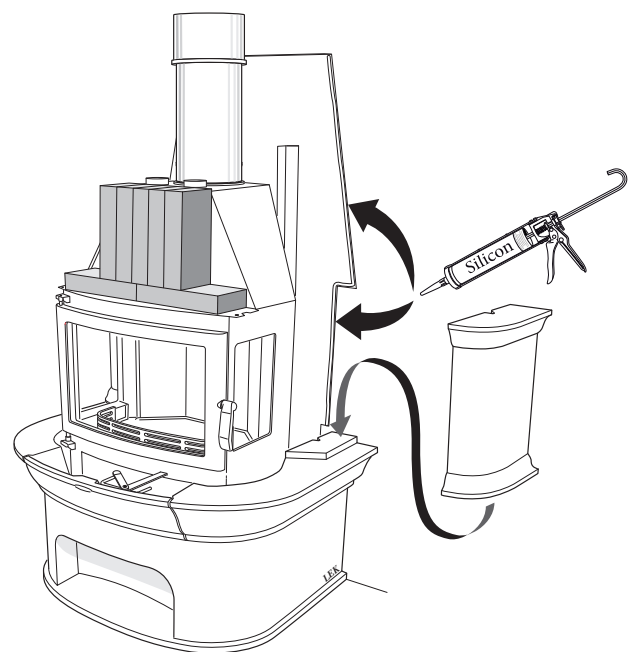
If a fan is to be connected, make holes for the cables either in the wall or in the back of the plinth. Draw the cables through the hole before securing the plinth to the base-plate.



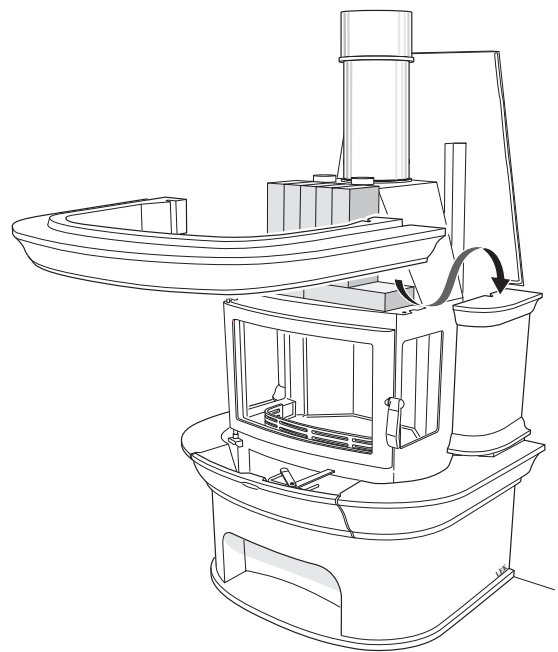
Place the plinth on the base-plate. The rear edge of the plinth must be flush with the rear edge of the base-plate. Simply stand the filler-piece for the plinth loose in place, or squeeze out a few small blobs of acrylic sealant to keep it from moving. Note, however, that it must be possible to remove the filler-piece when cleaning the stove or servicing the fan.



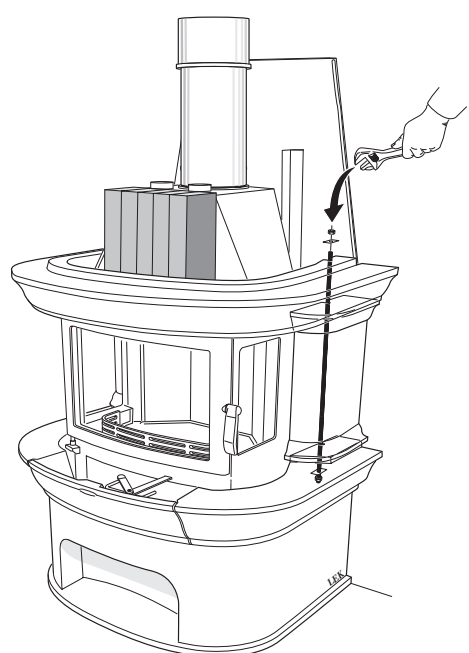
The gap between the rebate in the concrete components and the rear panel must be carefully sealed with silicone. This is necessary to prevent the wrong kind of convection currents in the warm air. Squeeze out a liberal amount of silicone all along the edge of the rear panel. Any surplus pressed out when the concrete sections are fitted can be smoothed by hand if you first dip your finger in soapy water.



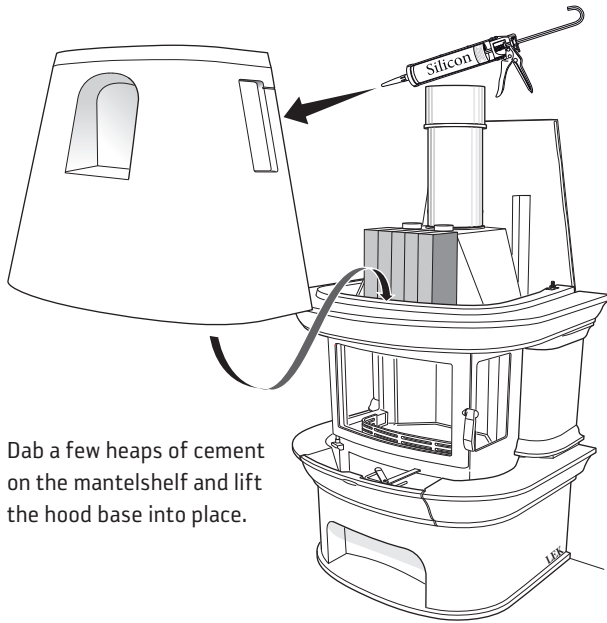
Cement the side columns in place left and right on the marble shelf.



Cement the mantelshelf in place on top of the side columns.



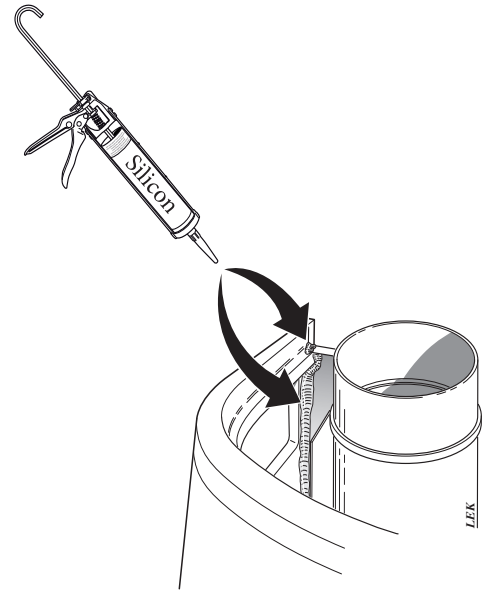
Use the full-threaded bolts to anchor the shelf to the plinth. Before tightening the nut, make sure that the bolts are pushed fully into the grooves and that the rectangular washers cover the groove entirely.



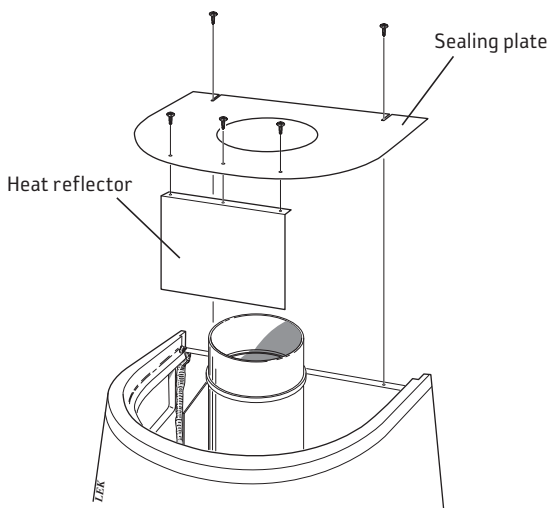
Dab a few heaps of cement on the mantelshelf and lift the hood base into place.



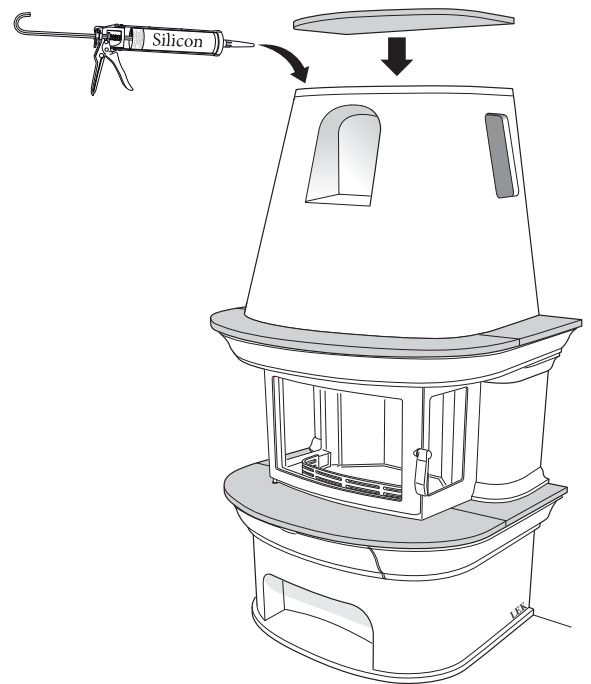
Use silicone to attach the cover to the rear wall.



In this instance it is extra important to make sure that there is a tight seal between the concrete surround and the rear panel as hot air will be collected in this cavity.

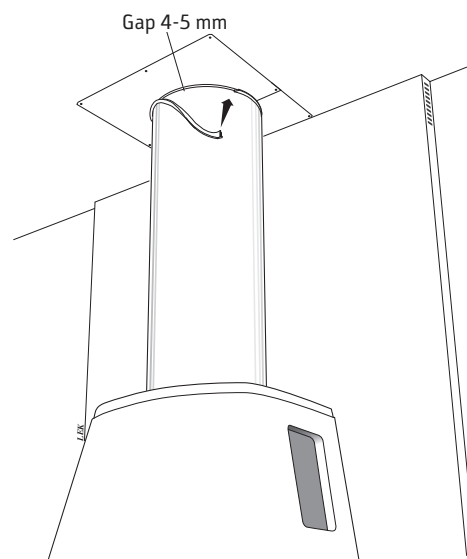
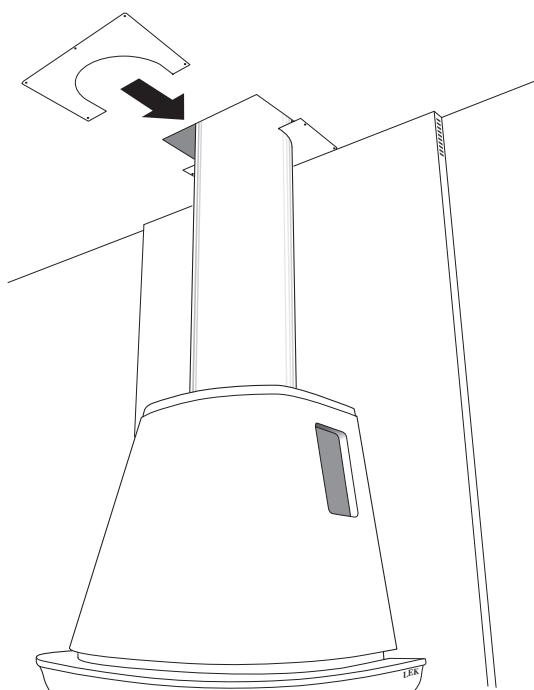
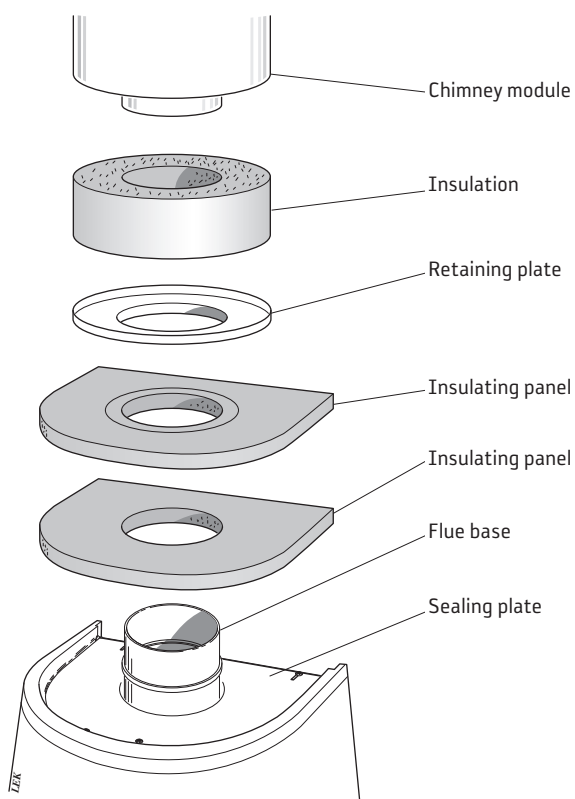


Screw the heat reflector into place on the sealing plate. Lay the sealing plate in place inside the hood base and fix it to the rear panel with screws.
If the stove is to be connected to a top flue, cut away the punched cover. Insulate the sealing plate with the blocks of insulating material supplied. For the low model, only one of the insulation blocks is required.

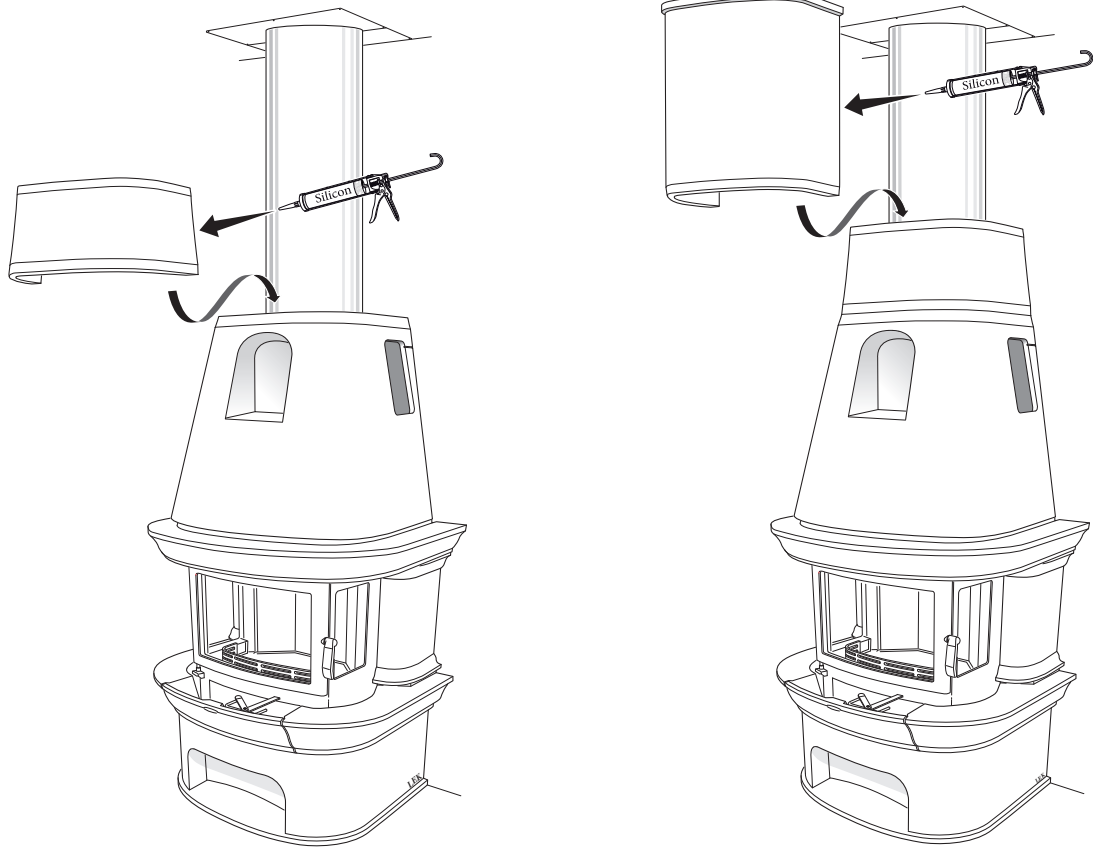


If you are installing the low 460 model, you can now fit the marble top to the hood base using silicone.

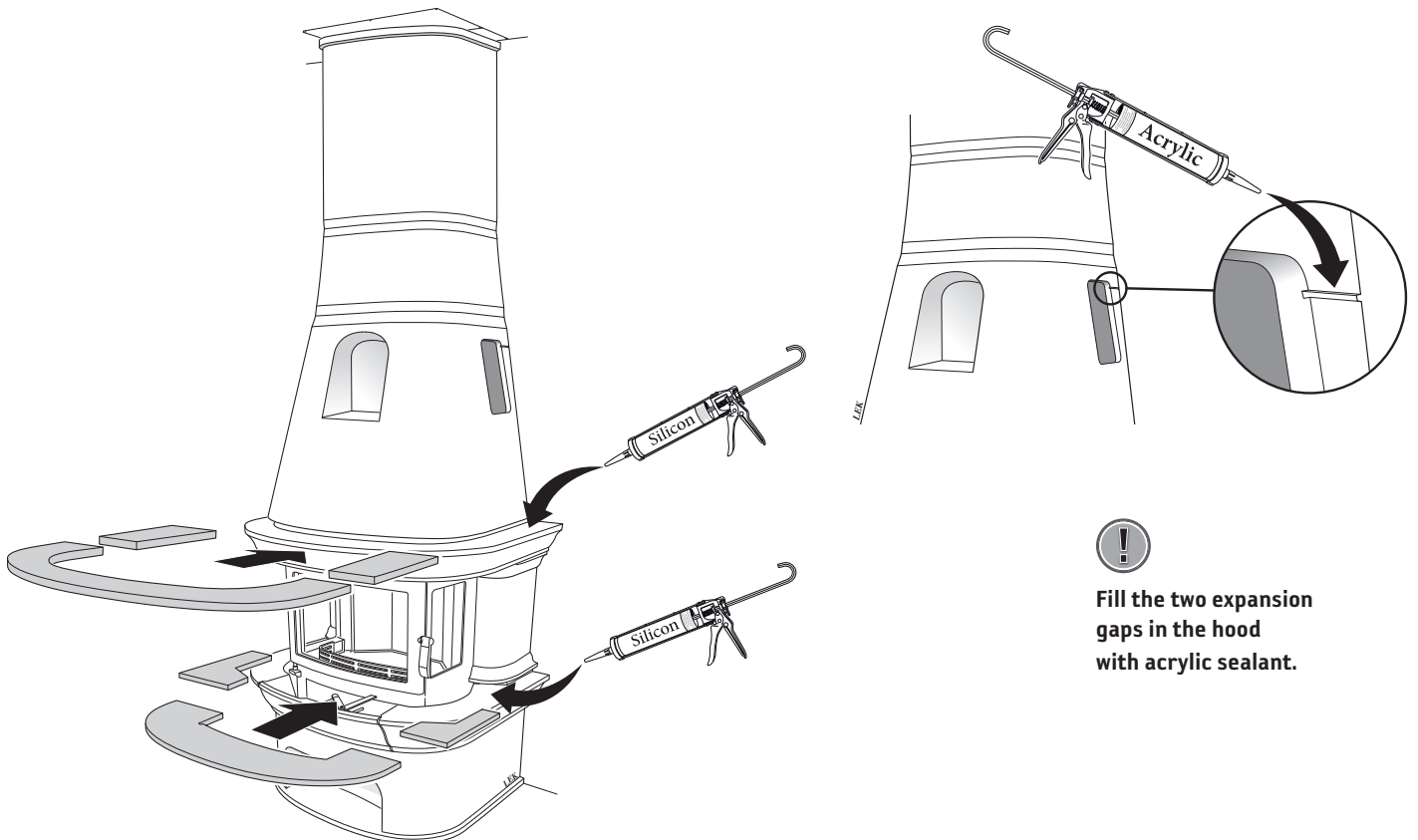
Lay the first insulating block on top of the sealing plate. Make sure that the insulation forms a tight seal around the flue base (the start section of the flue) and the concrete surround. Then fit the second insulating block in place. This has a larger hole in the middle and should form a tight seal with the outside of the chimney module. Fit the bottom chimney module into place.



Screw the front section of the ceiling insulation into place leaving a gap of 4-5 mm to the flue casing. Make sure that the ceiling insulation is held in place firmly against the ceiling. Hold the rubber sealing strip so that the gills are facing the flue casing and press the strip into place in the gap around the chimney. Seal and use insulating blocks to insulate in the roof/floor above the ceiling insulation.



Cement the remaining concrete sections into place together with any height-extension pieces that may be necessary. Leave a gap of at least 20 mm between the top of the chimney surround and the ceiling.



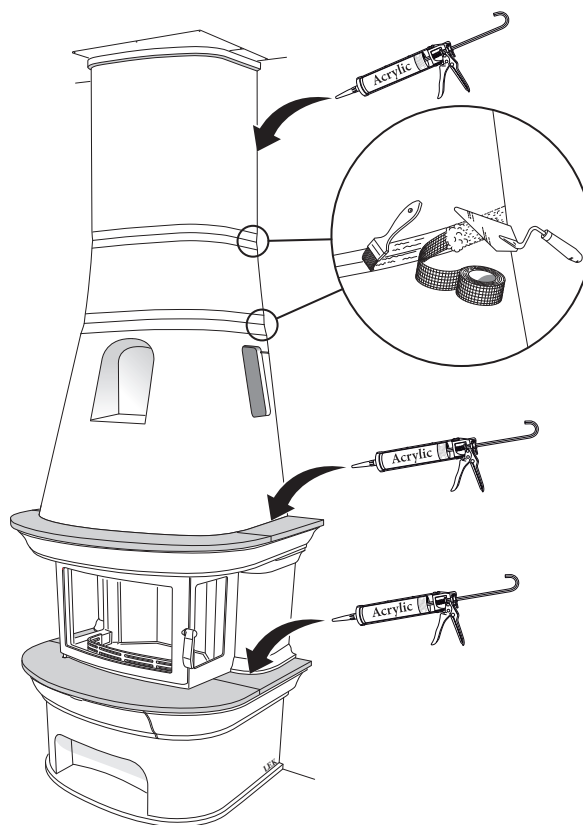
Fill the two expansion gaps in the hood with acrylic sealant.

Fix the marble slabs to the mantelshelf with silicone.

Use the adhesive to fill the gaps between the different sections of the chimney hood, adding pieces of fibre-glass tape to reinforce the seal. The adhesive should also be used to fill the gap between the hood and the marble slabs of the shelf. The gap between the concrete surround and the marble shelf is filled with acrylic sealant.

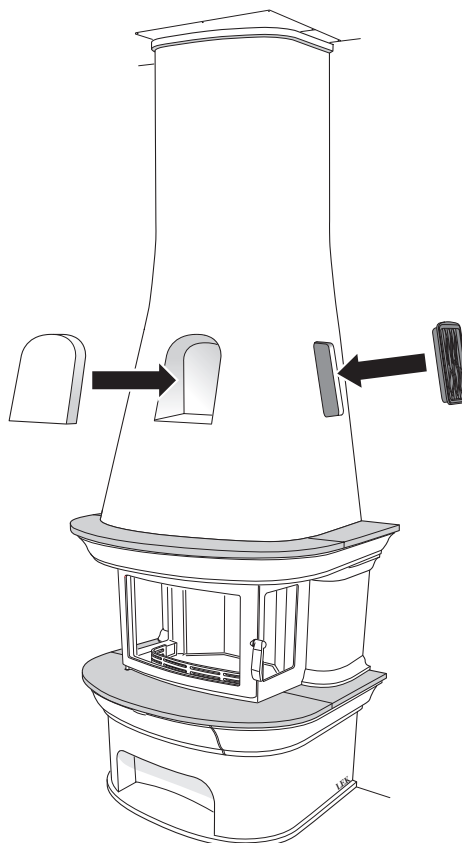
Fill the gaps between the concrete surround and the wall-protection panels, and those between the metal profiles of the wall-protection panels with acrylic sealant. Before starting this work, clean the profiles with mineral spirits or a similar kind of solvent.

When the cement and the acrylic sealant have dried, paint the entire concrete surround and the wall-protection panels with a textured coating. Allow the paint to dry for 24 hours and then go over the painted areas with a latex paint (gloss 07). Take precautions to protect the stove body against paint splashes.



The grilles are simply placed loose over the air vents. Before fitting the metal floor-plate (optional accessory) around the stove plinth, cut away the inside section and smooth off any jagged edges or burrs. The marble floor slab (optional accessory) may simply be laid loose around the plinth or cemented in place on the floor below

If you prefer, you can fit the special niche cover to conceal the niche. Fit the cover flush with the outer contours of the hood and secure it with adhesive. Seal the gap around the cover with acrylic sealant



Wait for the cement to dry for at least one week before lighting a fire in the stove.

How to use the stove

Under normal conditions we recommend that the stove burns 2 kg of wood per hour. The maximum permissible amount is 3.5 kg per hour. Most types of wood can be used: deciduous (broad-leaf) woods are preferable, as they generally burn more calmly. It is important that the wood is dry and that logs are of a suitable size: about 25–35 cm long and 7–9 cm in diameter. Always open and close the door slowly and carefully to prevent the sudden changes in pressure inside the stove which otherwise can cause a back-draught of smoke in the room.

1. Open the air supply control by moving the damper spindle to the right.
2. Place newspaper or a firelighter in the fire-box. Then stack about 3–3.5 kg of fine-split logs on the fire-bed, laid in a criss-cross pattern as shown.
3. Light the fire.
4. Push the door to, but do not close it until the fire is burning well (after about 10–15 minutes).
5. When the first pile of logs has burnt down, stoke up the fire again by placing 3 or 4 logs (weighing 2–2.5 kg in all) on the embers.

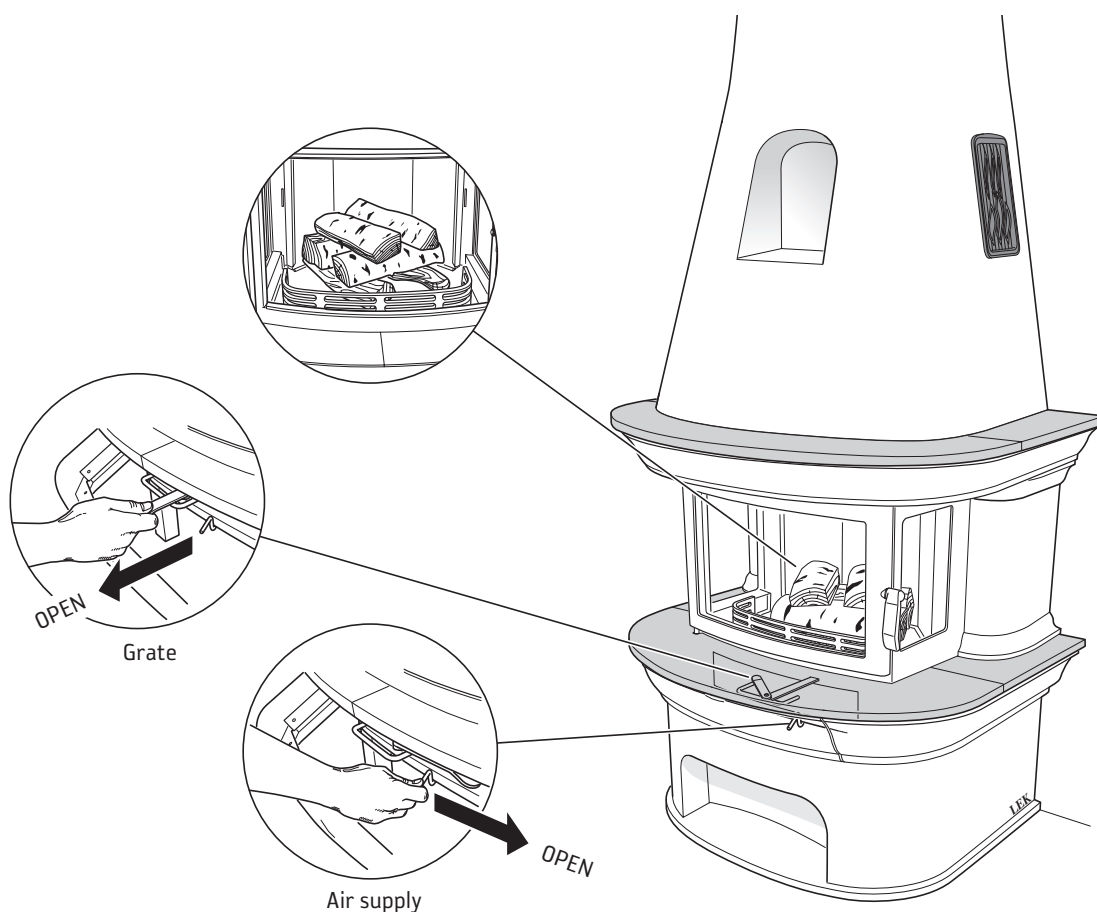
Pulling out the damper bar opens the grate disc. This should only be done for a short time when lighting or re-stoking the fire to ensure that the wood catches light quickly, and when riddling the ash into the ash pan. If the grate is left open for a long time, the stove and the chimney may be damaged as a result of the excessive heat.

Important!

It is essential that the wood starts to burn quickly. Smouldering produces excessive amounts of smoke and may, in exceptional circumstances, cause the fumes produced to ignite spontaneously and damage the stove. You can get the logs to burn quickly by opening the grate disc for a short while after re-stoking the fire, or by leaving the door ajar until the wood is burning.



Please read the separate Lighting and Maintenance Instructions carefully before lighting the stove for the first time.



Contura

NIBE AB · Box 134 · 285 23 Markaryd · Sweden
www.contura.se

Contura reserves the right to change dimensions and procedures described in these instructions at any time without special notice. The current edition can be downloaded from www.contura.eu

611326 IAV EX C460-9
2014-01-23