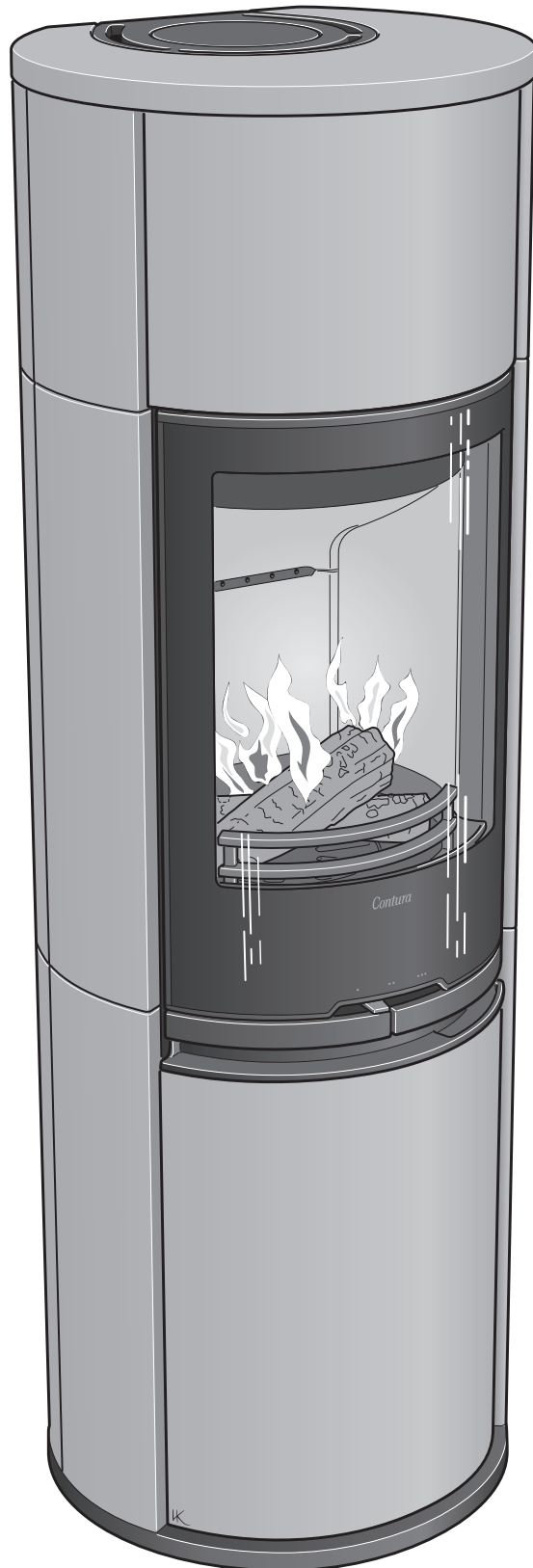


Contura

C690AG Style



SE

Fakta	3
Installationsavstånd	4
Prestandadeklaration	5
Montering	30

DE

Fakten	6
Installationsabstände	7
Leistungsdeklaration	8
Montage	30

NO

Fakta	9
Installasjonsavstand	10
Ytelseserklæring	11
Montering	30

FR

Données Techniques	12
Distances d'installation	13
Déclaration des performance	14
Montage	30

GB

Facts	15
Installation distances	16
Declaration of performance	17
Assembly	30

DK

Fakta	18
Installationsafstand	19
Præstationserklæring	20
Montering	30

FI

Tiedot	21
Asennusetäisyys	22
Suoritusosoilmoitus	23
Asennus	30

IT

Dati Tecnici	24
Distanze di sicurezza	25
Dichiarazione di prestazione	26
Montaggio	30

NL

Gegevens	27
Installatieafstand	28
Prestatieverklaring	29
Monteren	30

Facts



3-9 kW



1650 mm



540 mm



495 mm



240 kg

Nominal effect 6 kW
Efficiency 86 %

Type approved in accordance with:
European standard EN-13240
NS 3059 (Norway)
BImSchV.2 (Germany)
Art. 15a B-VG (Austria)
Clean Air Act. (UK)



The stove becomes very hot

During operation, certain surfaces of the stove become very hot and can cause burn injury if touched. Be aware of the strong heat radiated through the hatch glass. Placing flammable material closer than the safe distance indicated may cause a fire. Pyre lighting can cause quick gas ignition with the risk of damage to property and personal injury.

Installation by authorised technician

This manual contains instructions about how the stoves must be assembled and installed. To ensure the function and safety of the stove, we recommend that the installation is carried out by an authorised technician. Contact one of our dealers who can recommend suitable technicians.

Building application

These main instructions may give guidance which would contravene national building regulations. Please refer to supplementary instructions or ask your local authority for advice regarding building regulations. Before installing a stove or erecting a chimney it is necessary for you to make a building application permission to your local authority. The owner of the house is personally responsible for ensuring compliance with the mandatory safety requirements and must have the installation approved by a qualified inspector. Your local chimney sweep must also be informed about the installation as this will affect the routines for regular chimney-sweeping services.

Structural support

Check that the wood joists are strong enough to bear the weight of the stove and chimney. The stove and chimney can usually be placed on a normal wooden joist in a single occupancy house if the total weight does not exceed 400 kg.

Hearth plate

Due to the risk of falling embers, a flammable floor must be protected by a hearth plate. It must extend 300 mm in front of the stove and 100 mm on each side of the stove, or have a 200 mm extension on each side of the opening. The hearth plate can consist of natural stone, concrete, metal plate or glass. A glass hearth plate is available as an accessory for these models.

Final inspection of the installation

It is extremely important that the installation is inspected by an authorised chimney sweep before the stove is used. Also read the "Lighting instructions", before lighting for the first time.

Connection to chimney

- The stove must be connected to chimneys dimensioned for a minimum flue gas temperature of 400°C.
- The external diameter of the connection sleeve is 150 mm.
- Normal chimney draw under nominal operation should be between 20-25 Pa close to the connector. The draft is affected both by the length and area of the chimney, and by how well sealed it is. Minimum recommended chimney length is 3.5 m and suitable cross section area is 150-200 cm² (140-160 mm in diameter).
- A flue with sharp bends and horizontal routing reduces the draught in the chimney. Maximum horizontal flue is 1 m, on the condition that the vertical flue length is at least 5 m.
- It must be possible to sweep the full length of the flue and the soot hatches must be easily accessible.
- Carefully check that the chimney is sealed and that there is no leakage around soot hatches and flue connections. See page 31.

Supply of combustion air

When a stove is installed in a room, the demand for air supply to the room increases. Air can be provided indirectly via a vent in the outer wall or via a duct from the outside that is connected to the connector on the underneath of the stove. The amount of air needed for combustion is 15 m³/h.

The connector for the combustion air has an external diameter of 67 mm. When duct routing further than 1 m the pipe diameter must be increased to 100 mm and a correspondingly larger wall vent must be selected.

In hot areas, the duct should be insulated with 30 mm mineral wool with a moisture inhibiting outer cover. It is also important to seal around the hole in the wall (or floor) of the lead-in using sealant.

A 1 m length of condensation insulated ducting for combustion air is available as an accessory. See page 33.

Installation distances

C690AG Style

WHEN INSTALLING TURNTABLE (OPTION) the following installation distances do not apply. See the separate turntable installation instructions.

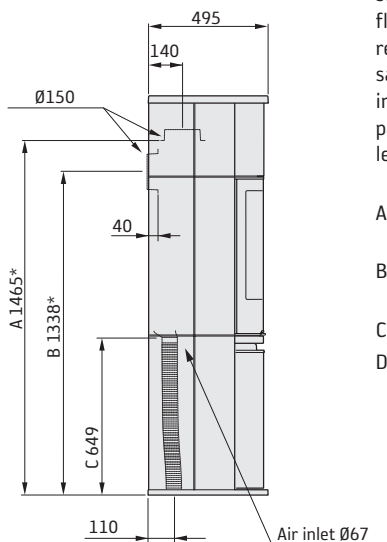
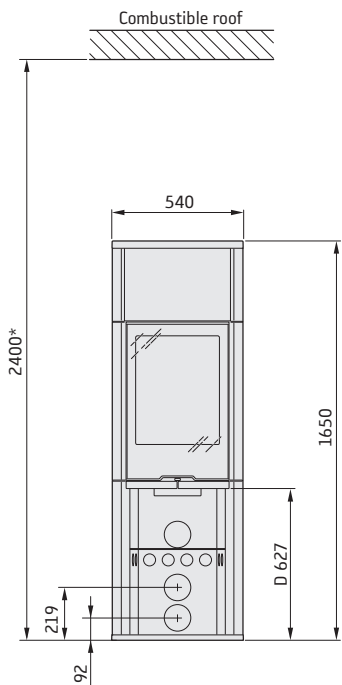


A separate glass hearth plate (accessory) increases the connection height to the chimney by 10 mm.

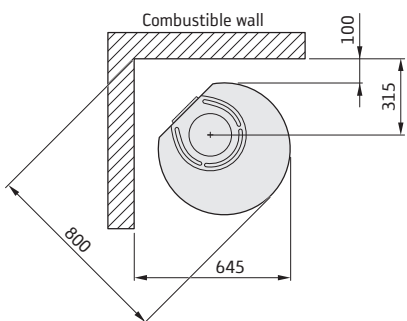
The minimum distance in front of the stove opening to combustible parts of the building or interior decoration must be at least 1,2 m.

The dimension diagrams only show the minimum permitted installation distances for the stove. When connecting to a steel flue, also note the safety distance requirements of the flue. The safety distance between an un-insulated flue and a combustible part of the building should be at least 450 mm.

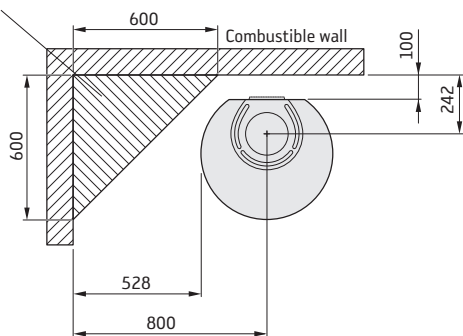
- A = height from floor to chimney connection upwards
- B = height from floor to c/c chimney connection rear
- C = height from floor to air inlet
- D = height from floor to lower edge of hatch



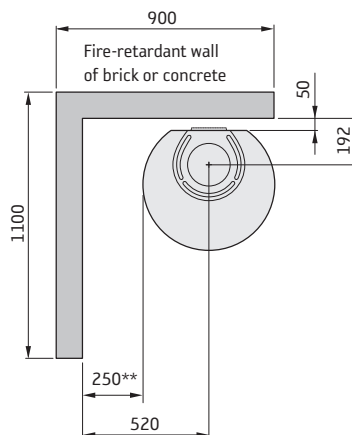
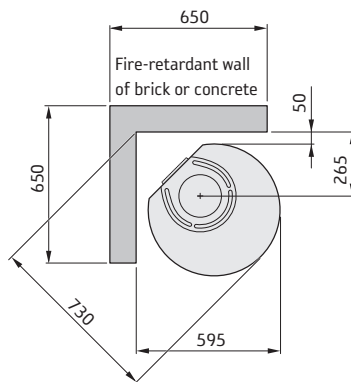
INSTALLATION AGAINST COMBUSTIBLE WALLS



Permitted area for combustible parts of the building



INSTALLATION AGAINST FIREWALLS



* If the stove is placed on a hearth plate made of glass for example (accessory), the height from the floor is affected by a distance corresponding to the thickness of the hearth plate, for a free standing glass hearth plate this is 10 mm.

** To prevent discolouration of painted non-flammable walls we recommend that the same side distance as to combustible walls is used.

Declaration of performance according
to Regulation (EU) 305/2011
No. C690AG-CPR-170615-SE-1

Contura

PRODUCT

Product type Stove lit with solid biofuels
Type designation Contura 690AG
Manufacturing number See rating plate on the stove
Intended area of use Heating of rooms in residential buildings
Fuel Wood

MANUFACTURER

Name NIBE AB / Contura
Address Box 134, Skulptörvägen 10
SE-285 23 Markaryd, Sweden

CHECKS

According to AVCP System 3
European standard EN 13240:2001 / A2:2004
Test institute Rein-Ruhr Feuerstätten Prüfstelle, NB 1625,
has checked declared performance and issued test report no. RRF-40 17 4615

DECLARED PERFORMANCE

Essential characteristics	Performance	Harmonised technical specification
Reaction to fire	A1 WT	EN 13240:2001 / A2:2004
Minimum distance to combustible material	Rear: 100 mm Side: 528 mm Other safety distances according to the installation instructions	
Risk of falling embers	Pass	
Emissions from combustion	CO 0,08 % NOx 95 mg/m ³ OGC 66 mg/m ³ PM 11 mg/m ³	
Surface temperatures	Pass	
Cleaning options	Pass	
Mechanical durability	Pass	
Emissions of hazardous substances	Pass	
Nominal output	6 kW	
Efficiency	86 %	
Flue gas temperature in connector at nominal output	247°C	

The undersigned is responsible for the manufacture and conformity with the declared performance.



Niklas Gunnarsson, Business area manager NIBE STOVES
Markaryd, June 15, 2017



SE Montering

Om insatsen behöver läggas ned för att förflyttas bör lösa delar demonteras. Demontering av eldstadsbeklädnad beskrivs i slutet av denna anvisning.

- 1 Galler
- 2 Rostertallrik
- 3 Lock till botten
- 4 Eldstadsbeklädnad (Vermiculit)
- 5 Typskylt
- 6 Brasbegränsare

FR Avant de procéder au montage

Les éléments non fixés devront être déposés si l'insert doit être couché pour être déplacé. Le démontage de l'habillage du foyer est décrite à la fin de ce document.

- 1 Grille
- 2 Grille de décentrage
- 3 Couverture de fond
- 4 Habillage du foyer (Vermiculite).
- 5 Plaque signalétique
- 6 Pare-bûches

FI Ennen asennusta

Jos tulipesä pitää siirtää kyljellään, irto-osat pitää irrottaa. Tulipesän verhoilun irrotus kuvataan ohjeen lopussa.

- 1 Säleikkö
- 2 Ruostumaton teräslautanen
- 3 Pohjakansi
- 4 Tulipesän verhoitus (vermikuliitti)
- 5 Tyypikilpi
- 6 Suojareunus

DE Vor der Montage

Wenn der Einsatz in liegender Position versetzt werden muss, sind lose Komponenten zu demontieren. Die Demontage der Brennraumauskleidung wird am Ende dieser Anleitung beschrieben.

- 1 Gitter
- 2 Rostteller
- 3 Bodenabdeckung
- 4 Brennraumauskleidung (Vermiculit)
- 5 Typenschild
- 6 Stehrost

GB Prior to installation

If the insert needs to be put down to be moved, loose components should be removed. Removal of the hearth cladding is described at the end of these installation instructions.

- 1 Grille
- 2 Grate disc
- 3 Base cover
- 4 Hearth cladding (Vermiculite)
- 5 Type plate
- 6 Fire bars

NO Før montering

Hvis innsatsen må legges ned for å flyttes, bør løse deler demonteres. Demontering av brennplater og hvelv er beskrevet mot slutten av denne veiledningen.

- 1 Gitter
- 2 Rist
- 3 Løkk til bunnen
- 4 Brennplater og hvelv (vermikulitt)
- 5 Typeskilt
- 6 Kubbestopper

DK Før opstilling

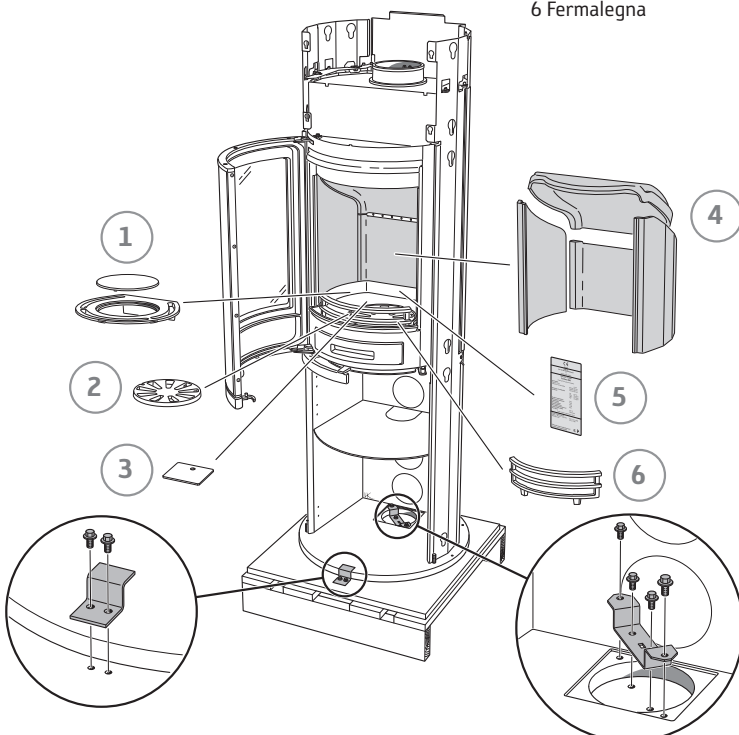
Hvis indsatsen skal lægges ned for at blive flyttet, bør løse dele afmonteres. Afmontering af ovnbeklædning beskrives i slutningen af denne vejledning.

- 1 Gitter
- 2 Rund askerist
- 3 Dæksel til bund
- 4 Ovnbeklædning (Vermiculite)
- 5 Typeskilt
- 6 Brændeholder

NL Voorafgaand aan montage

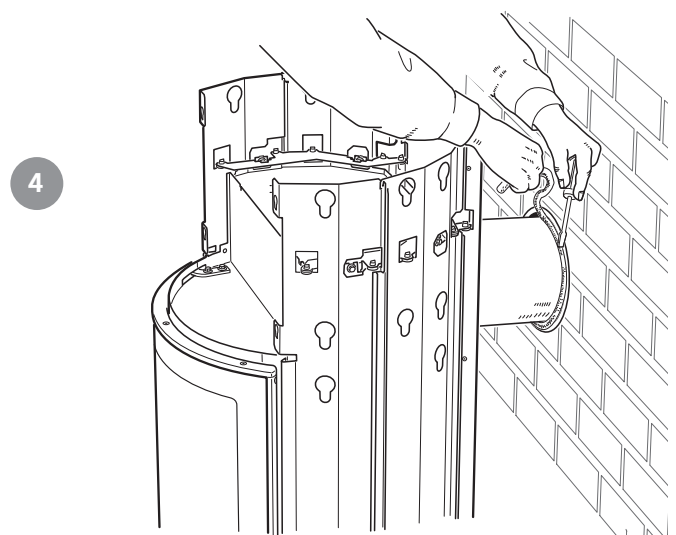
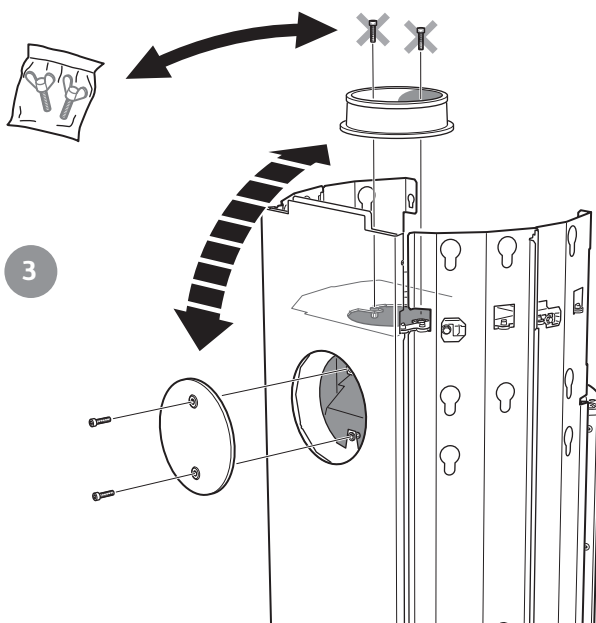
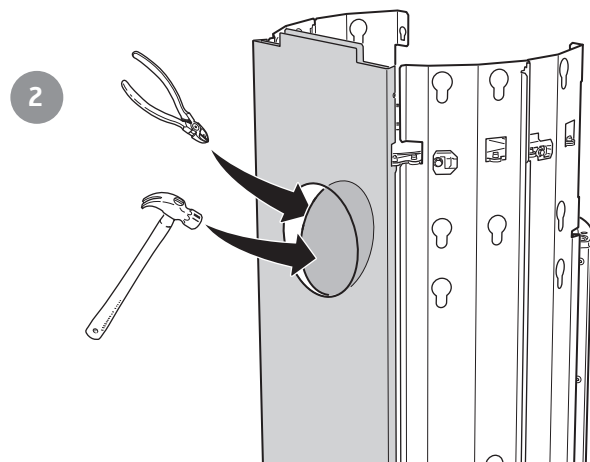
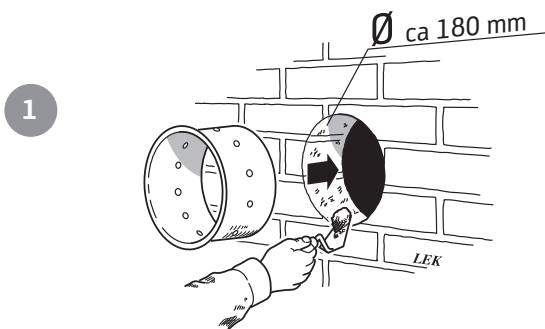
Als de inzet liggend moet worden verplaatst, moeten losse onderdelen worden gedemonteerd. De demontage van de haardbekleding wordt beschreven aan het eind van deze instructies.

- 1 Rooster
- 2 Roosterschijf
- 3 Deksel bodem
- 4 Haardbekleding (vermiculiet)
- 5 Typeplaatje
- 6 Houtvanger

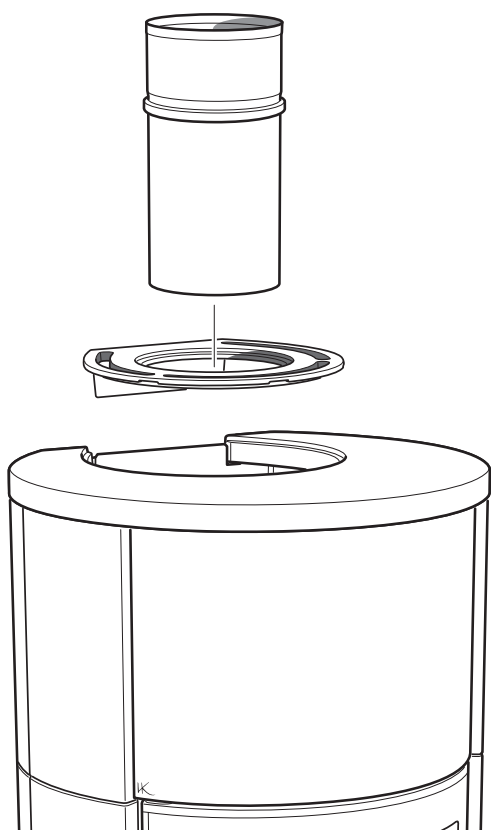




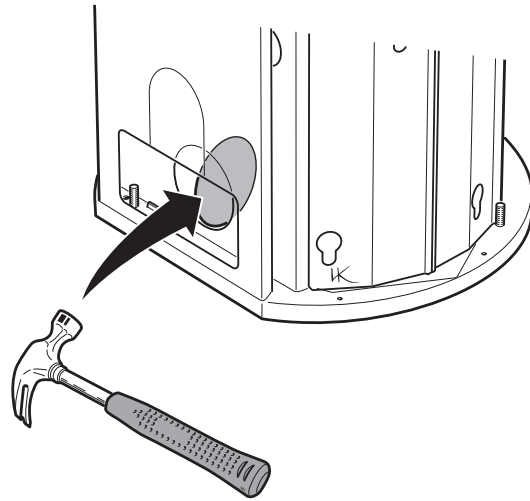
- SE Bakåtanslutning till murad skorsten
- DE Rückseitiger Anschluss an einen gemauerten Schornstein
- NO Bakmontering til murt skorstein
- FR Raccordement par l'arrière à une cheminée de maçonnerie
- GB Rear connection to a masonry chimney
- DK Tilslutning bagud til muret skorsten
- FI Liitäntä taaksepäin muurattuun savupiippuun
- IT Collegamento alla canna fumaria in muratura dal retro della stufa
- NL Achterwaartse aansluiting op een gemetselde schoorsteen



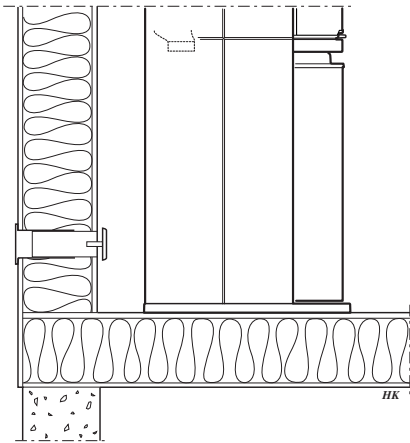
- SE** Toppanslutning till skorsten
Varmluftsgallret måste vara monterat innan skorstenen toppansluts.
- DE** Oberseitiger Anschluss an den Schornstein
Das Warmluftgitter muss montiert sein, bevor ein Schornsteinanschluss an der Oberseite erfolgt.
- NO** Toppmontering til skorstein
Varmluftsgitteret må være montert før skorsteinen topptilkobles.
- FR** Raccordement par le haut
Monter la grille d'air chaud avant le raccordement à la cheminée par le haut.
- GB** Top connection to the chimney
The hot air grille must be installed before chimney top connection.
- DK** Toptilslutning til skorsten
Varmluftstristen skal være monteret, før skorstenen toptilsluttes.
- FI** Liitäntä ylöspäin savupiippuun
Lämminilmaritilä pitää asentaa ennen savupiipun liitäntää ylöspäin.
- IT** Collegamento alla canna fumaria dal piano della stufa
Prima di collegare la canna fumaria al piano della stufa, assicurarsi che la griglia dell'aria calda sia montata.
- NL** Bovenansluiting op een schoorsteen
Het heteluchtrooster moet zijn gemonteerd, voordat de schoorsteen op de bovenansluiting wordt aangesloten.



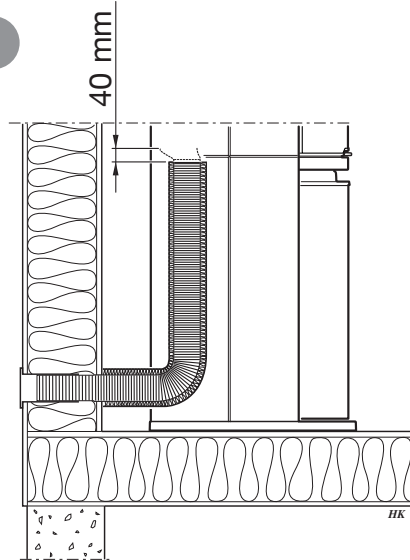
- SE Tilluft
- DE Zuluft
- NO Tilluft
- FR Arrivée d'air
- GB Supply
- DK Forbrændingsluft
- FI Tuloilma
- IT Alimentazione dell'aria
- NL Toevoerlucht



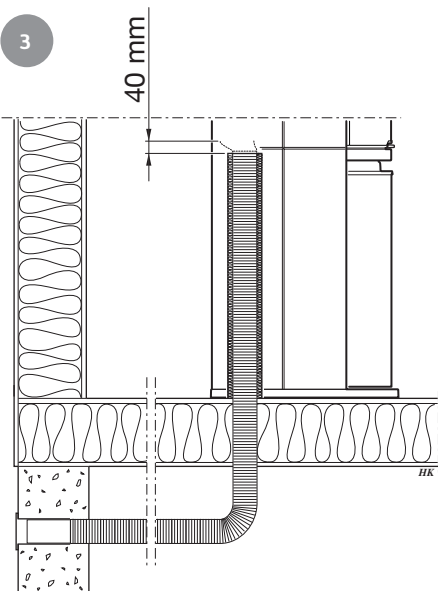
1



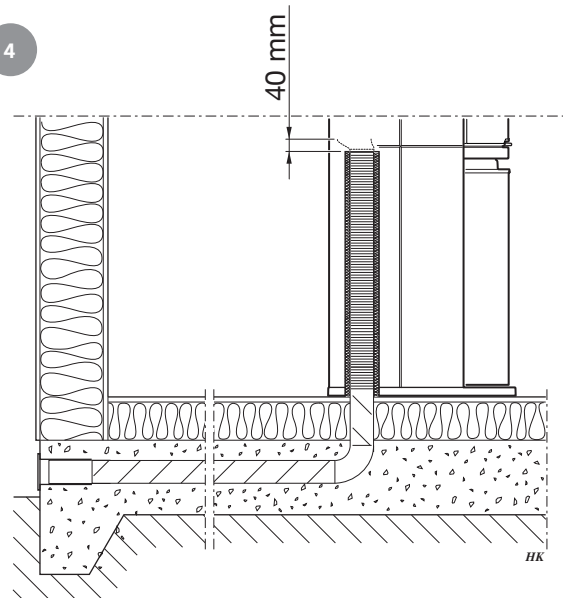
2



3

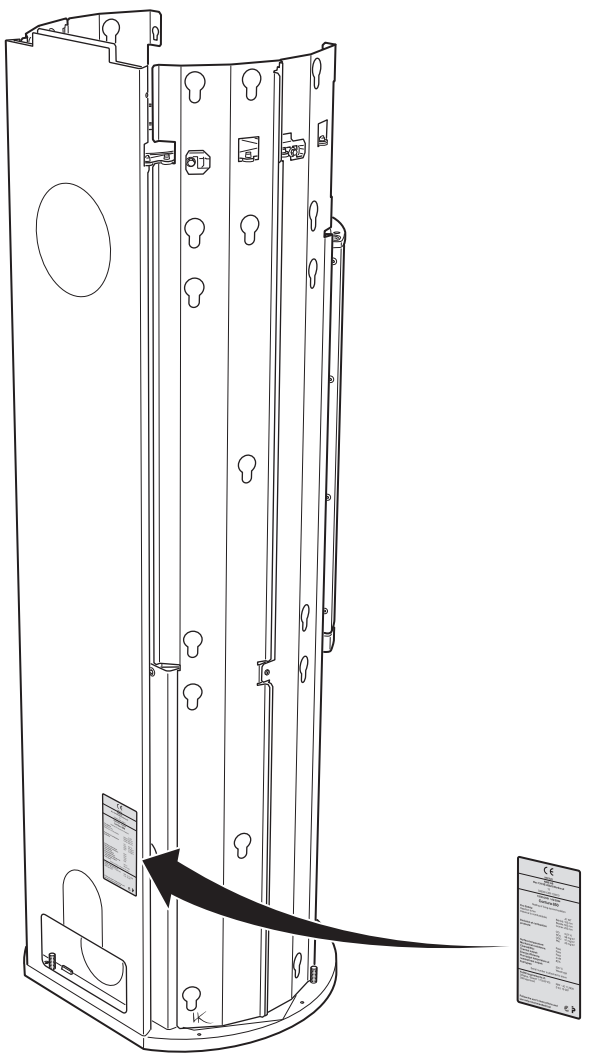


4

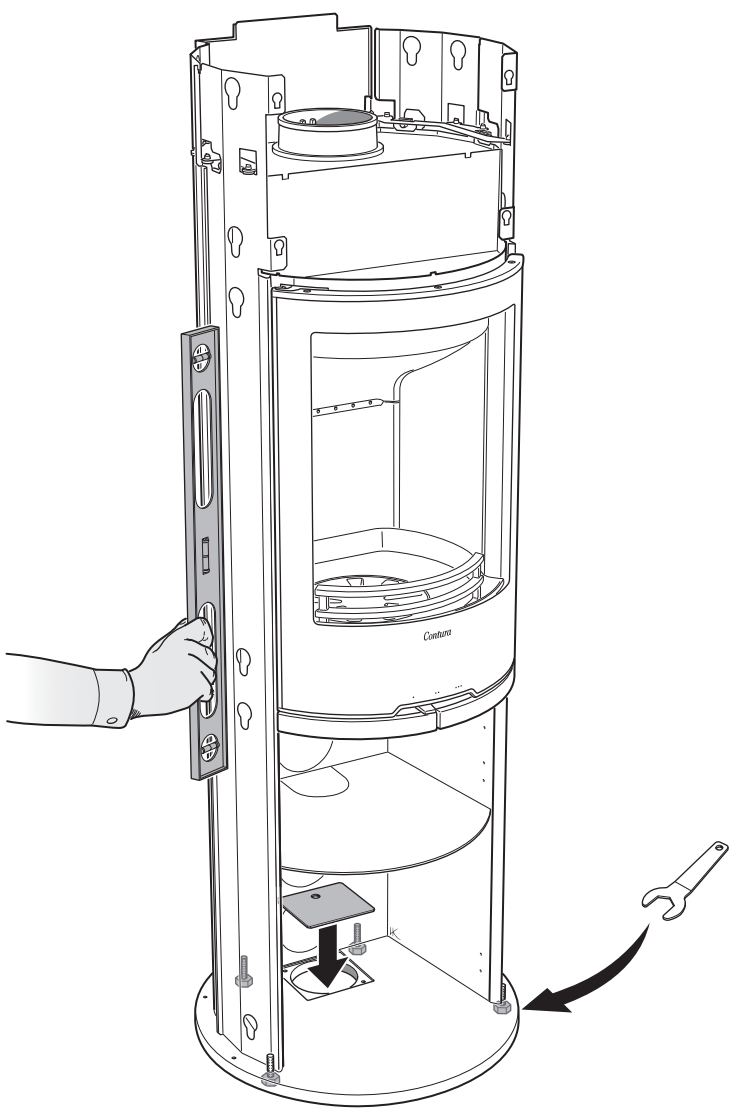




1

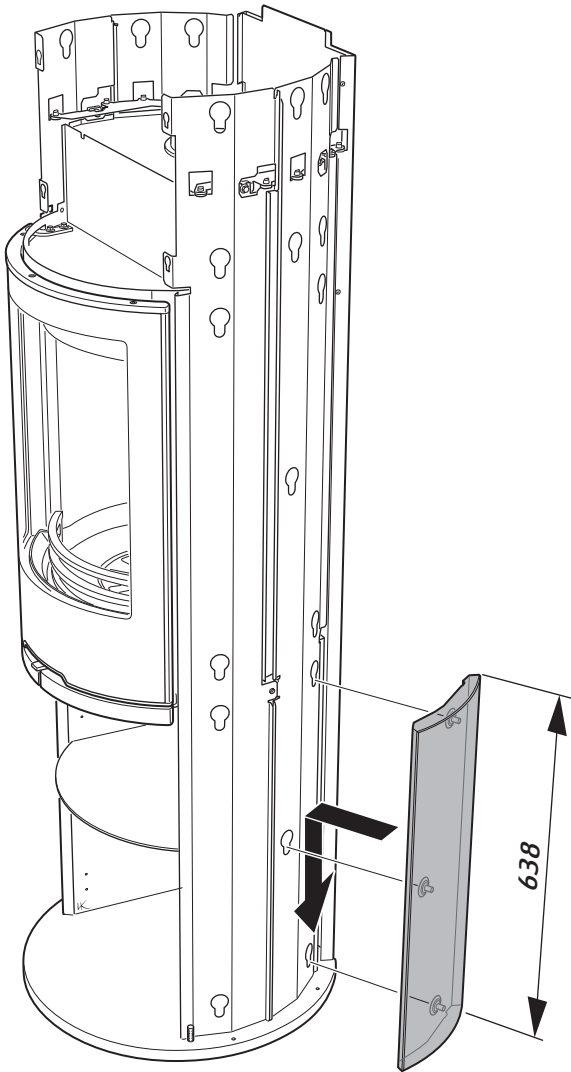


2

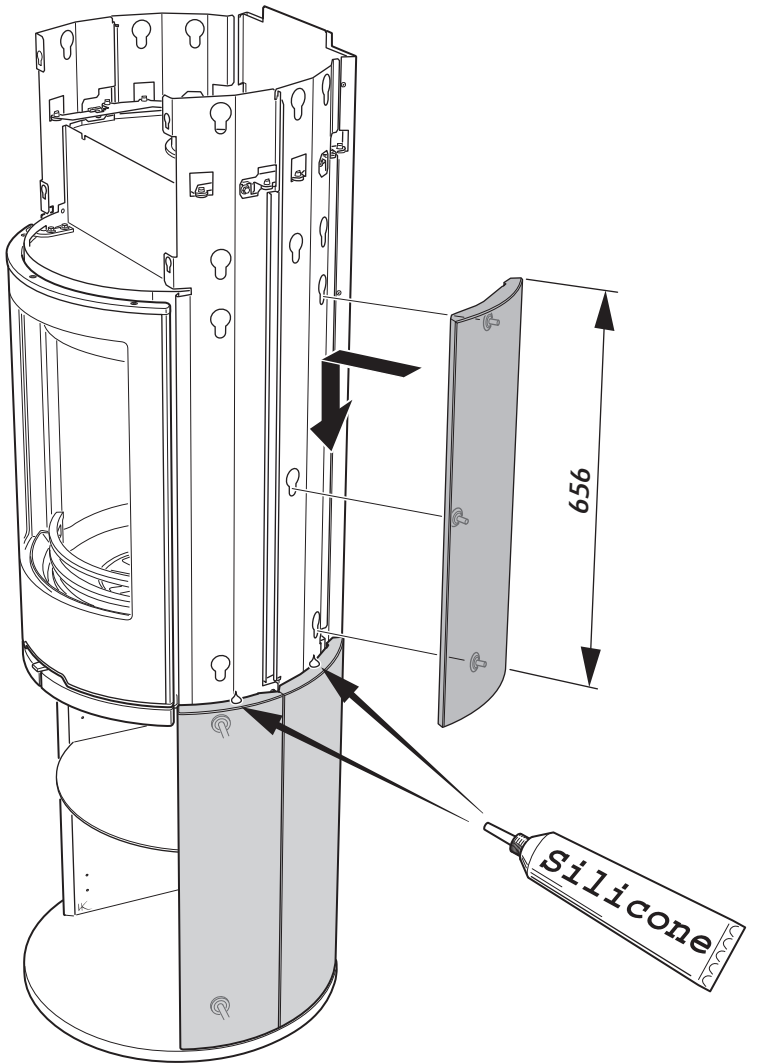




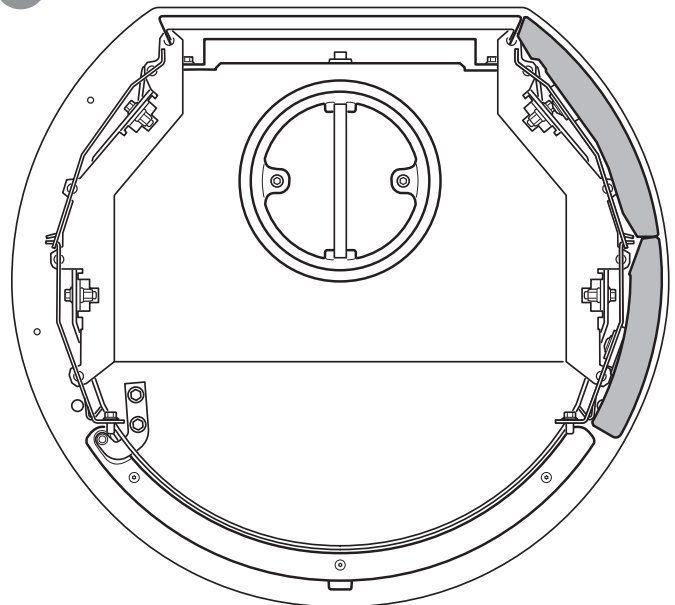
3



4

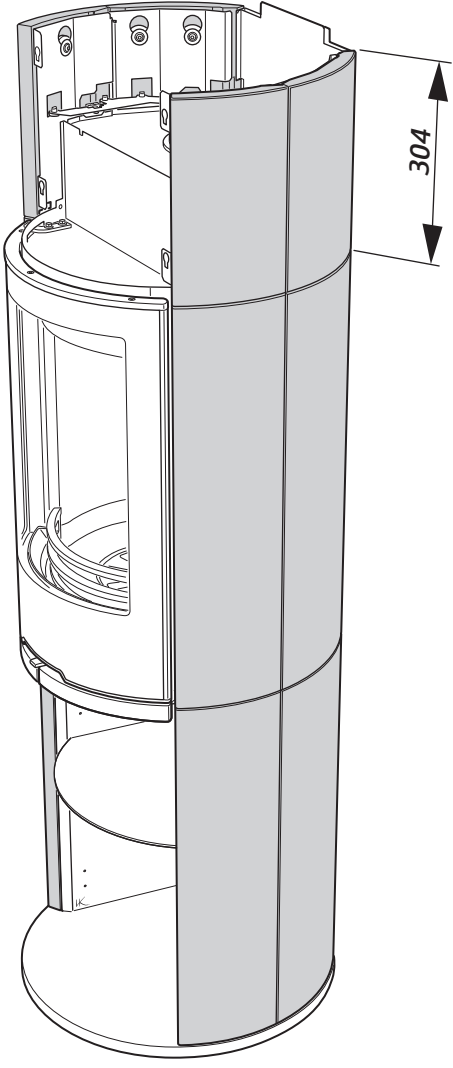


5

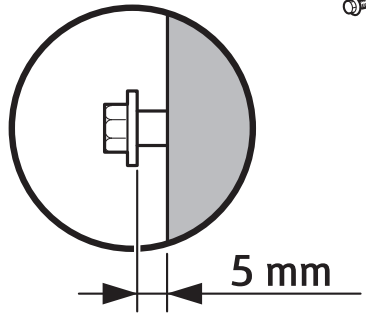
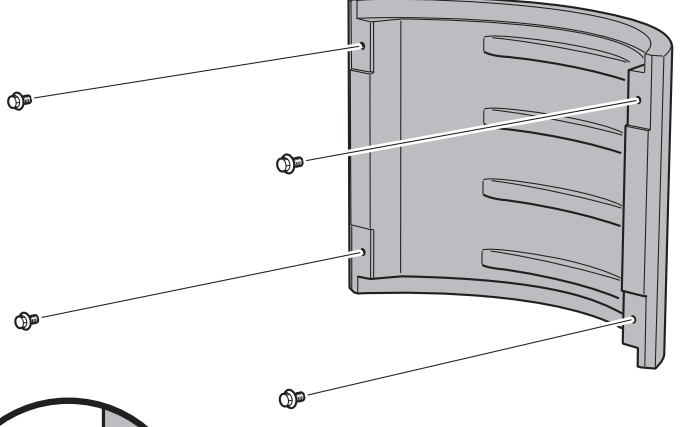




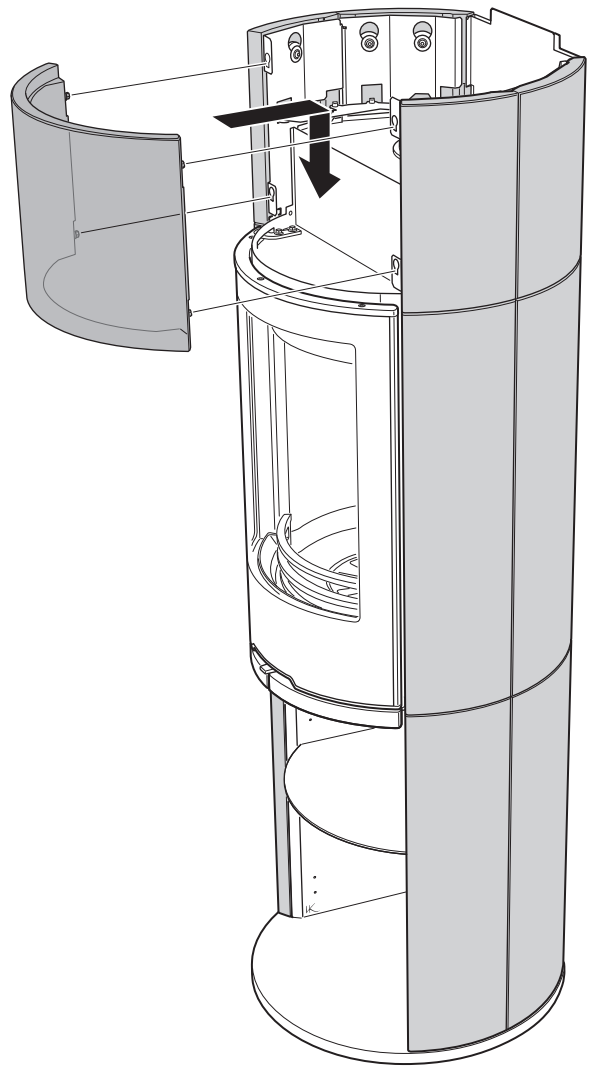
6

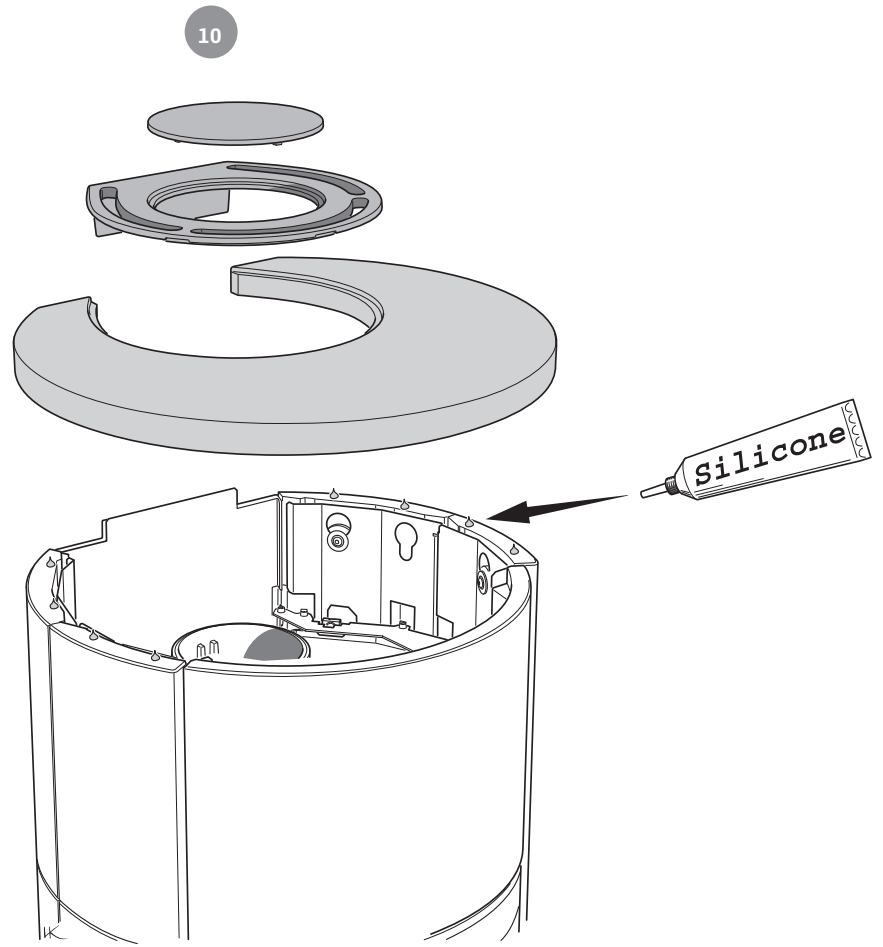
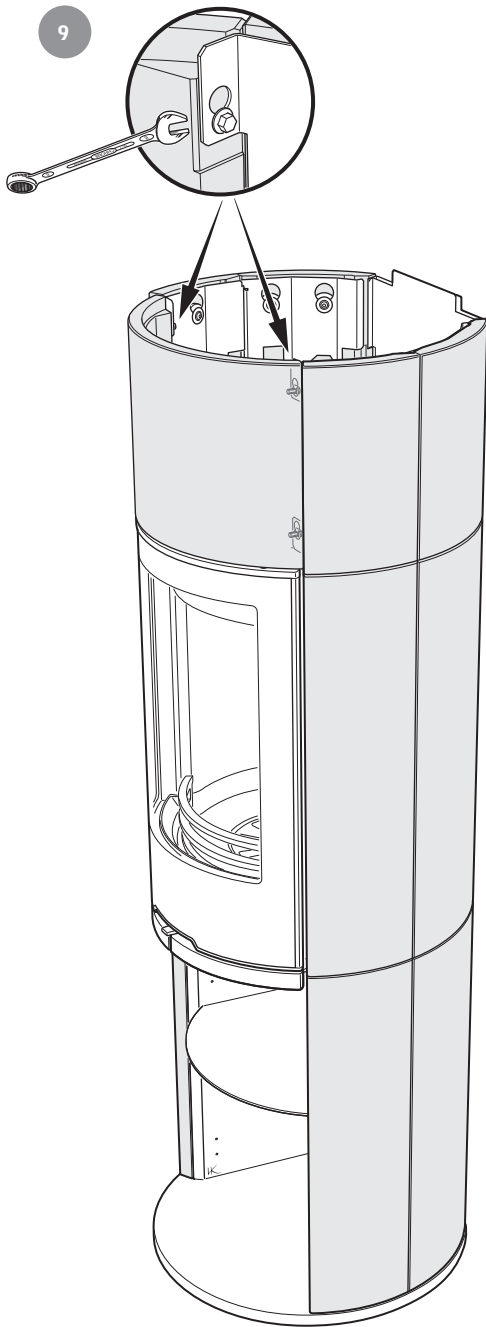


7



8





SE Vid val av värmemagasin gå till nästa sida.

DE Blättern Sie bei Auswahl eines Wärmespeichermagazins zur nächsten Seite.

NO For å velge varmemagasin, gå til neste side.

FR Pour l'option réservoir d'accumulation de chaleur, voir page suivante.

GB For the heat tank option, go to the next page.

DK Hvis du har valgt varmemagasin, gå til næste side.

FI Lämpömakasiinin valintaa varten mene seuraavalle sivulle.

IT Per il montaggio dell'accumulatore di calore vedere la pagina successiva.

NL Ga bij het kiezen van een warmtemagazijn naar de volgende pagina.

SE Montering av värmemagasin
Tillsammans med stenarna levereras ett spjäll. Stäng spjället efter sista vedilägget för att erhålla maximal avsvälningstid. Det är dock viktigt att öppna spjället vid nästa upptändning. Annars hindrar man konvektionsluften att kyla insatsen under pågående eldning.

DE Montage des Wärmespeichermagazins
Mit den Steinen wird eine Klappe geliefert. Schließen Sie die Klappe nach dem letzten Holzauflegen, um eine höchstmögliche Abkühlzeit zu bekommen. Die Klappe muss jedoch unbedingt beim nächsten Anzünden wieder geöffnet werden. Ansonsten wird die Konvektionsluft daran gehindert, den Einsatz während der Befeuerng zu kühlen.

NO Montering av varmemagasin
Det leveres et spjeld sammen med steinene. Lukk spjeldet etter at du har lagt inn ved for siste gang, for å oppnå maksimal avkjølingstid. Spjeldet må imidlertid åpnes ved neste opptenning. Hvis ikke hindrer man konveksjonsluften i å kjøle innsatsen under fyringen.

FR Montage du réservoir d'accumulation de chaleur
Un volet est livré avec les plaques en pierre à accumulation de chaleur. Fermer le volet après la dernière flambée, afin de garantir une durée de refroidissement optimale. Il est néanmoins important d'ouvrir le volet lors de la prochaine flambée. On risque autrement d'empêcher l'air de convection de refroidir le foyer durant le chauffage en cours.

GB Installation of heat tank
A damper is supplied with the stones. Close the damper after the last addition of wood to obtain maximum cooling off time. It is important to open the damper at next lighting. Otherwise the convection air is prevented from cooling the insert during the firing.



SE Kamin med spjäll får ej utrustas med fläkt!

DE Kaminöfen mit Ventilator dürfen nicht mit Konvektionsklappen bestückt werden!

NO Peisovn med vifte må ikke utstyres med konveksjonsspjeld!

FR Le poêle doté d'un ventilateur ne doit pas être équipé d'un volet de convection!

GB Stoves with fans must not be equipped with a convection damper!

DK Brændeovne med ventilator må ikke udstyres med konvektionsspjæld!

FI Puhaltimella varustettua takkaa ei saa varustaa kiertoilmapellillä!

IT Le stufe provviste di ventola non possono essere equipaggiate di farfalla di convezione dell'aria!

NL Een kachel met ventilator mag niet worden uitgerust met een convectieklep!

DK Montering af varmemagasin
Der leveres et spjæld sammen med stenene. Luk spjældet efter sidste gang, der lægges brænde på, for at bevare maksimal afkølingstid. Det er dog vigtigt at åbne spjældet ved næste optænding. Ellers forhindrer man, at konvektionsluften køler indsatsen under fyring.

FI Lämpömakasiinin asentaminen
Kivien mukana toimitetaan pelti. Sulje pelti viimeisen puunlisäyksen jälkeen mahdollisimman pitkän jäähtymisajan varmistamiseksi. On tärkeää, että pelti avataan seuraavan lämmityskerran yhteydessä. Muuten konvektioilma ei voi jäähtyä tulipesää lämmityksen aikana.

IT Montaggio dell'accumulatore di calore
Assieme alle pietre viene fornita una ventola. Chiudere la ventola dopo l'ultimo inserimento di legna, per ottenere la massima durata del calore. Tuttavia è importante aprire la ventola alla successiva accensione, altrimenti l'aria di convezione impedisce il raffreddamento del rivestimento durante l'accensione.

NL Montage van warmtemagazijn
Samen met de stenen wordt een klep geleverd. Voor een maximale afkoeltijd sluit u de klep nadat u er voor de laatste keer hout in hebt gelegd. Het is echter van belang om de klep bij de volgende keer ontsteken te openen. Anders kan de convectielucht de inzet tijdens het stoken niet koelen.



SE Vid toppansluten skorsten måste värmemagasinet och spjället monteras före skorstenen.

DE Bei einem oberseitig angeschlossenen Schornstein müssen Wärmespeichermagazin und Klappe vor dem Schornstein montiert werden.

NO Ved toptilkoblet skorstein må varmemagasinet og spjeldet monteres før skorsteinen.

FR Lorsque la cheminée est à raccordement par le haut, le réservoir d'accumulation de chaleur et le volet doivent être montés avant la cheminée.

GB With top connected chimneys, the heat tank and the damper must be installed before the chimney.

DK Ved toptilsluttet skorsten skal varmemagasinet og spjældet monteres før skorstenen.

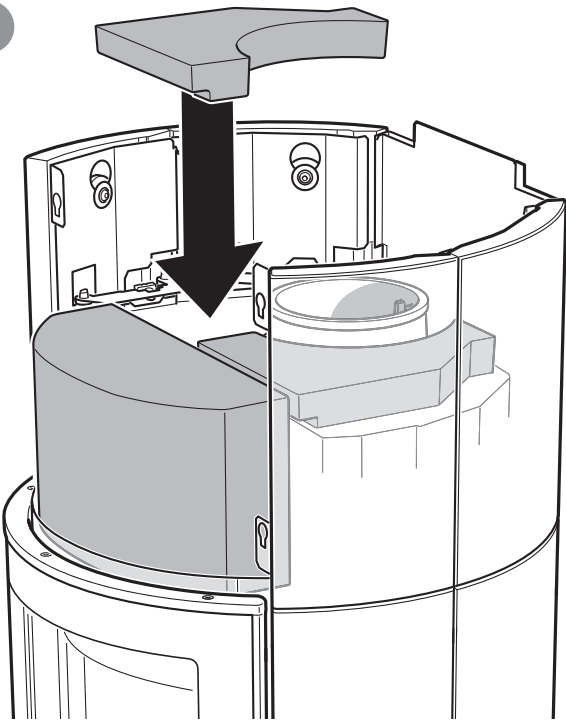
FI Kun takka liitetään ylöspäin savupiippuun, lämpömakasiini ja pelti pitää asentaa ennen savupiippua.

IT Per le stufe con collegamento alla canna fumaria dal top, montare l'accumulatore di calore e la regolazione dell'aria prima del tubo per i fumi.

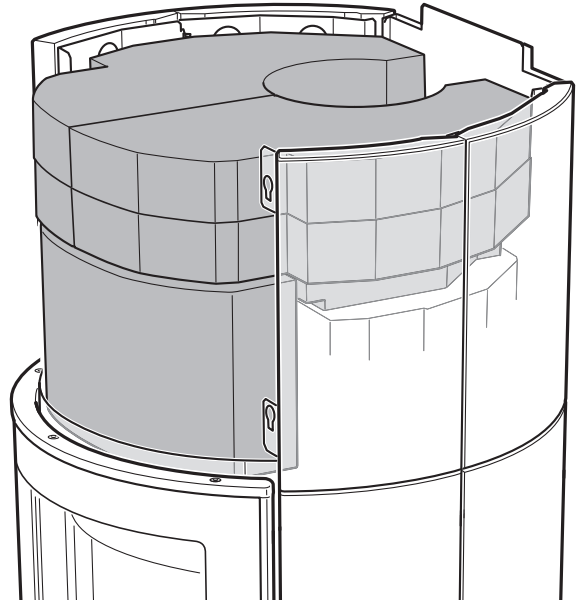
NL Bij een aan de bovenkant aangesloten schoorsteen moeten eerst het warmtemagazijn en de klep worden gemonteerd en dan de schoorsteen.



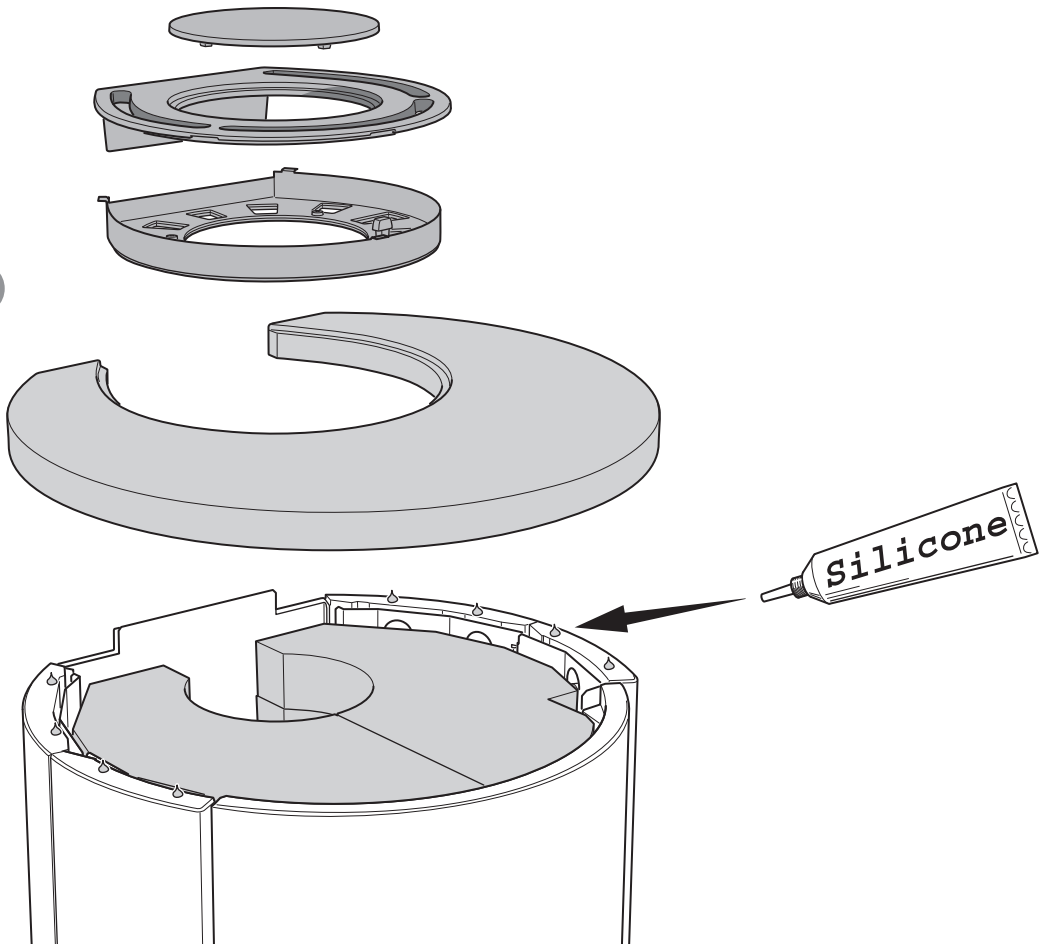
1



2

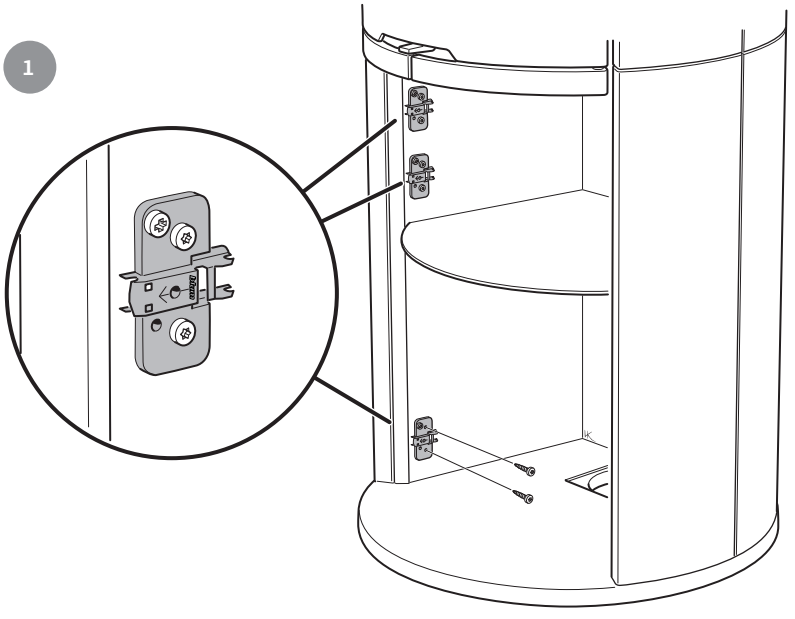


3

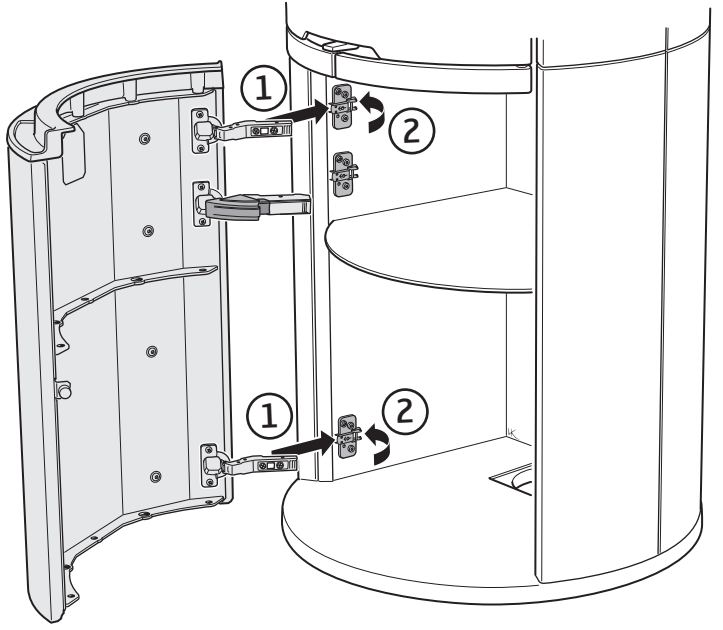




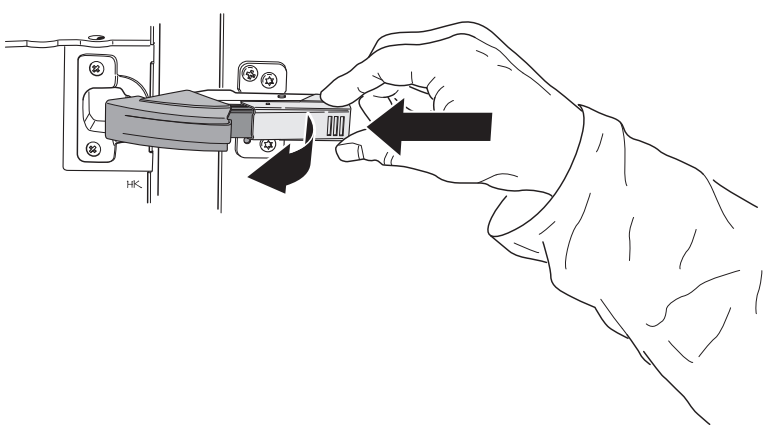
1



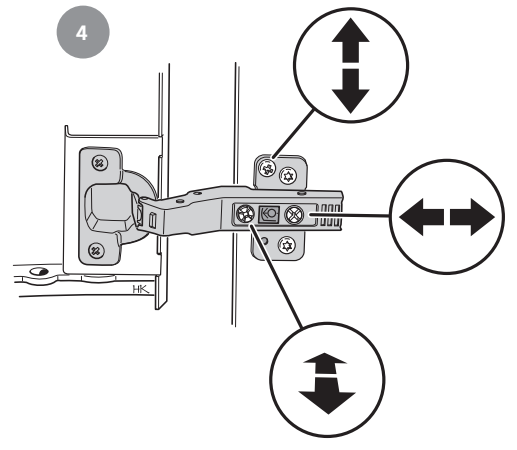
2



3

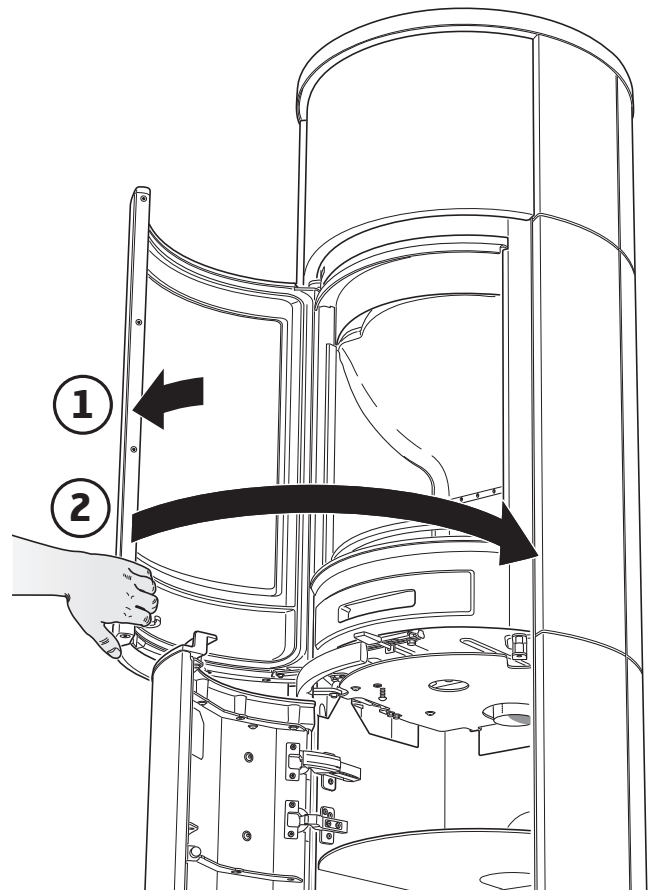
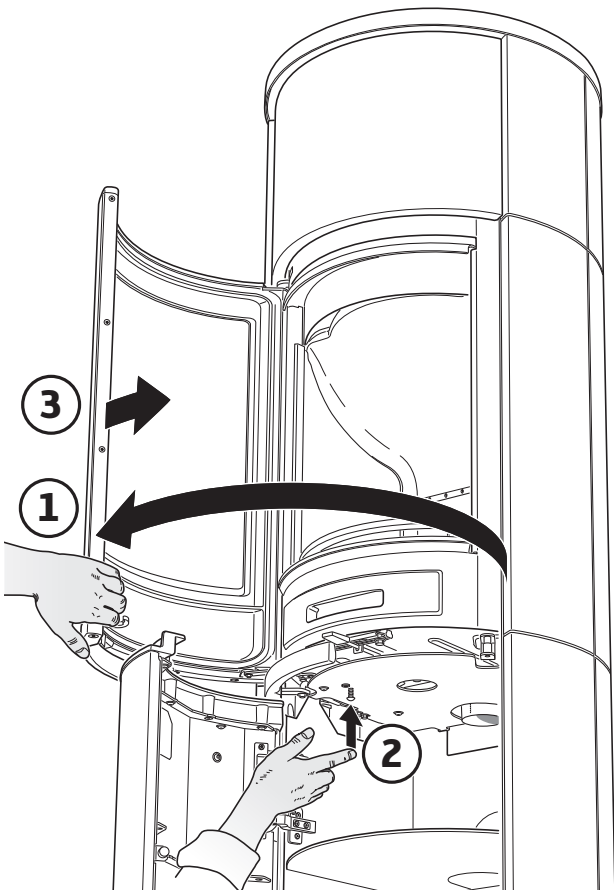


4



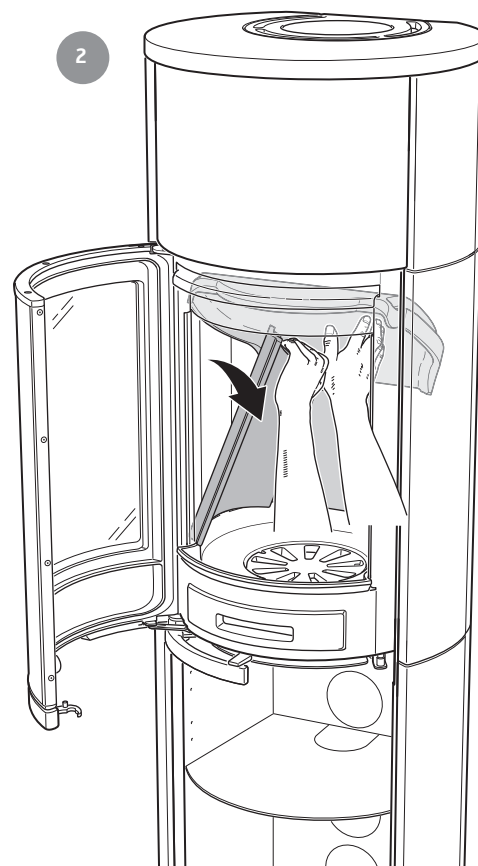
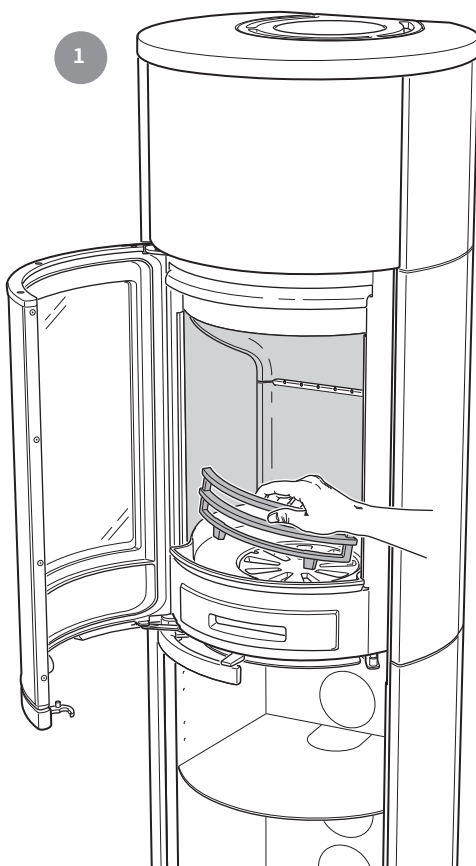


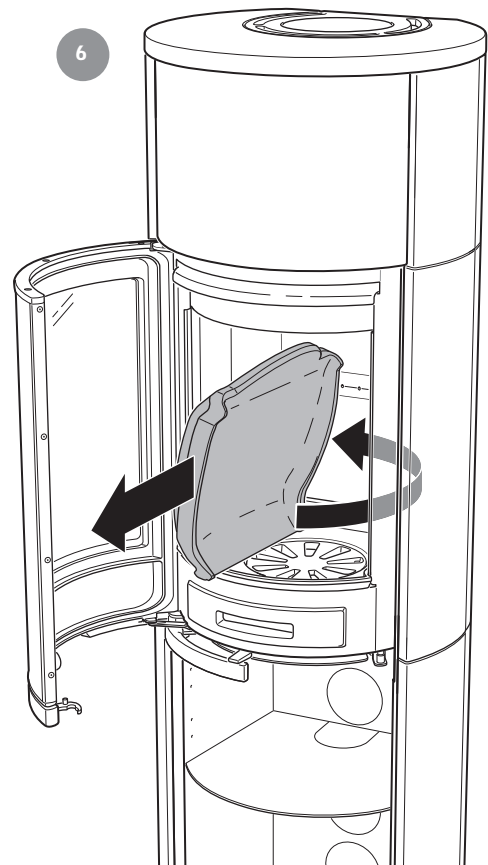
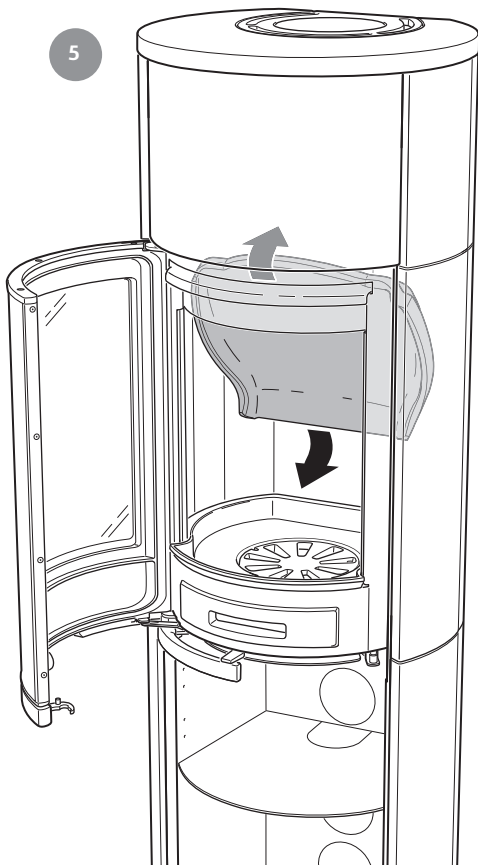
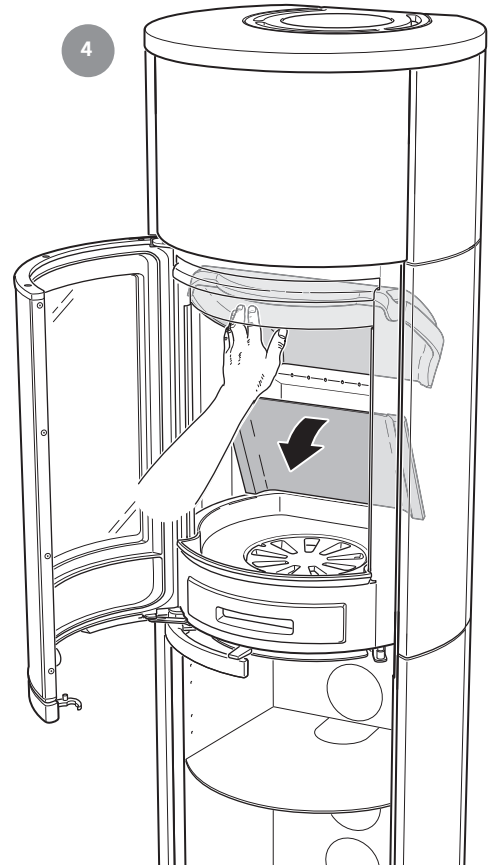
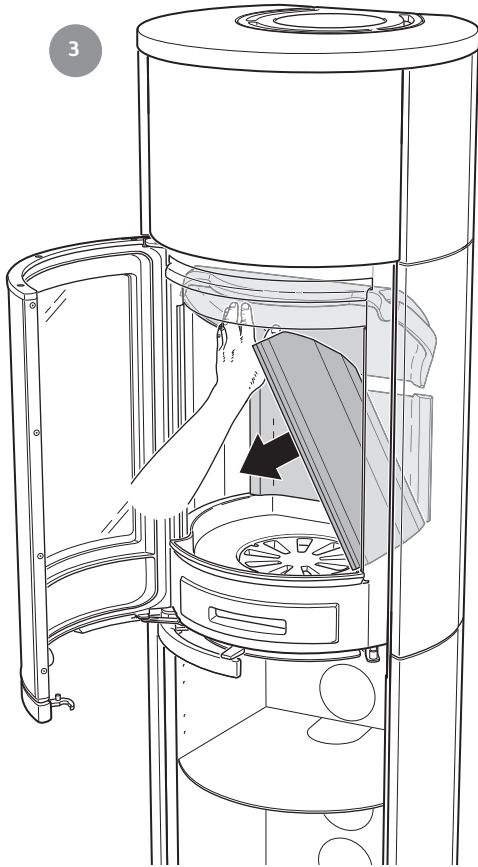
- SE** Uppställning av luckan
Luckan kan spärras i öppet läge, med hjälp av tryckknappen på kaminens undersida.
- DE** Aufstellung der Tür
Mithilfe der Taste an der Kaminofenunterseite kann die Tür in ihrer geöffneten Stellung arretiert werden.
- NO** Låsing av døren i åpen posisjon
Døren kan låses i åpen posisjon ved hjelp av knappen på undersiden av ovnen.
- FR** Mise en place de la porte
La porte peut être verrouillée en position ouverte, à l'aide du bouton-poussoir sur le dessous du poêle.
- GB** Installation of the door
The door can be held in the open position using the push button on the underside of the stove.
- DK** Spærring af lågen
Lågen kan spærres i åben position ved hjælp af trykknappen under brændeovnen.
- FI** Luukun asennus
Luukku voidaan lukita avattuun asentoon takan alapuolella olevalla painonapilla.
- IT** Bloccaggio dello sportello
Lo sportello può essere bloccato in posizione aperta con un pulsante posto sotto la camera di combustione.
- NL** Plaatsen van het luik
Het luik kan in geopende stand worden vergrendeld met behulp van de drukknop aan de onderkant van de kachel.





- SE Demontera eldstadsbeklädnaden (Vermiculit)
- DE So demontieren Sie die Brennraumauskleidung (Vermiculit)
- NO Slik demonterer du ildstedsbekledning (Vermikulitt)
- FR Voici comment démonter l'habillage du foyer (Vermiculite)
- GB How to remove the hearth surround (Vermiculite)
- DK Sådan afmonterer du ovnbeklædningen (Vermiculite)
- FI Näin irrotat tulipesän verhouksen (vermikuliitti)
- IT Come smontare il rivestimento del focolare (vermiculite)
- NL Zo demonteert u de kachelbekleding (vermiculiet)





Contura

NIBE AB · Box 134 · 285 23 Markaryd · Sweden
www.contura.eu

811318 IAV SE-EX C690AG Style-2
2017-10-16