

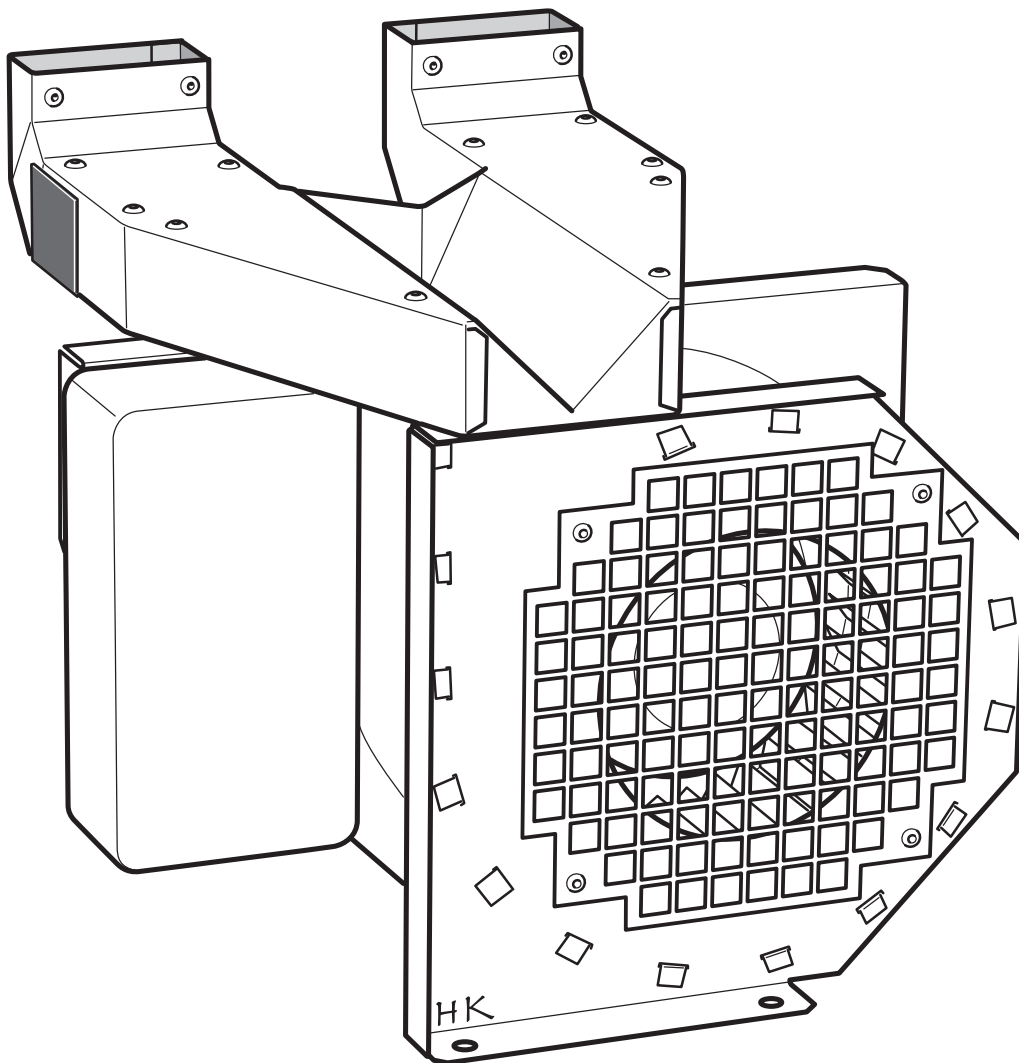
SE Monteringsanvisning

2

GB Installation instruction

5

Monterings- anvisning



Fläkt C30

Fan C30

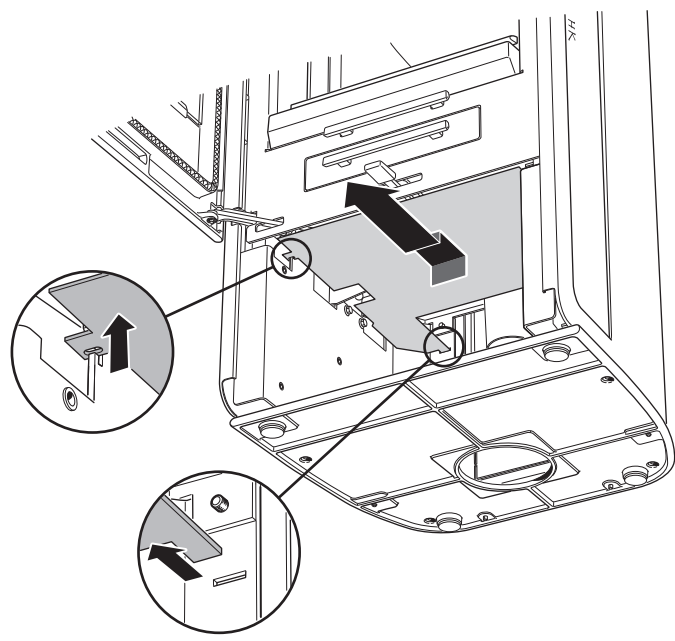
Contura



This appliance may be used by children over the age of 8 years, by persons with reduced physical, sensory or mental capabilities and by persons with a lack of experience or knowledge provided that they are supervised and have been instructed how to use the appliance in a safe way and they understand the hazards involved. Children must not play with the appliance. Children must not clean or carry out maintenance on the appliance unless they are being supervised.

General

Read through the entire installation instruction before installing the fan. The fan is installed under the heart and the installation is usually concealed by a plinth. The plinth is a separate accessory. The fan increases the heating from the stove and makes the air in the room circulate which gives better heat distribution and a more even temperature.

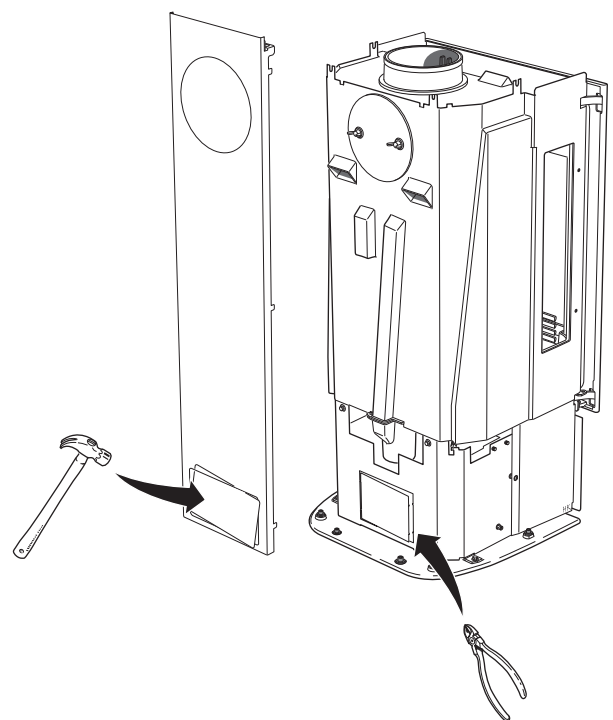


Preparations

Unpack and check the contents. For supply air connection from outside, a distance of 75mm is required between the condensation insulation and the heart. This is to make space for the fan.

Remove the heat deflector plate, it is not required when the fan is installed.

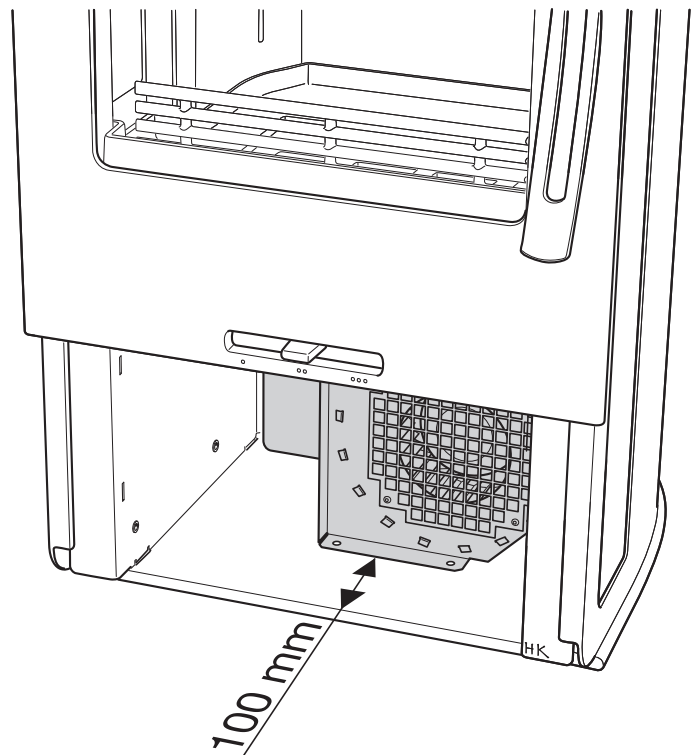
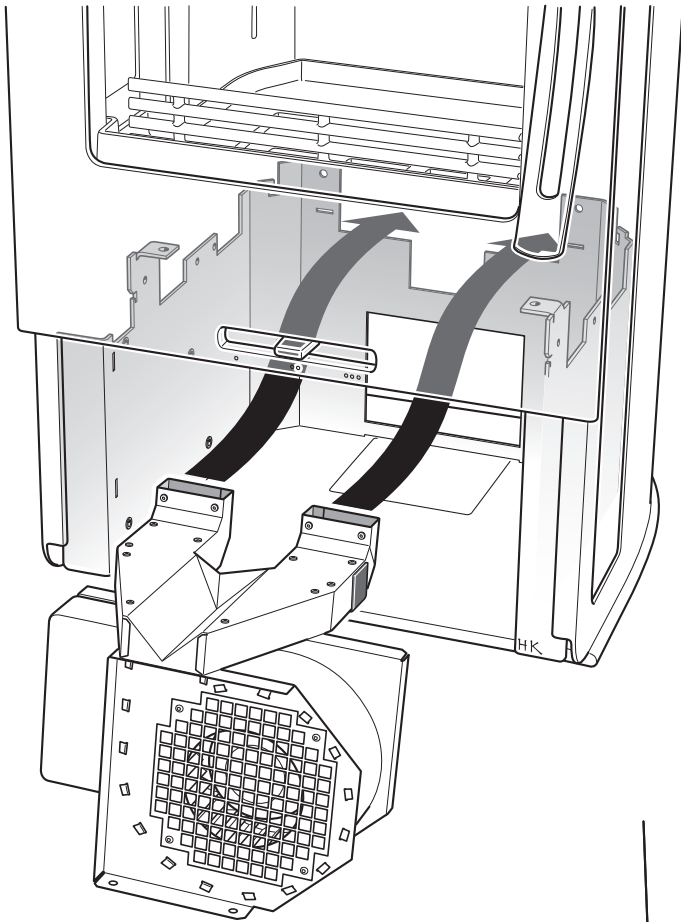
Tap out the knock out on the rear side of the stove.



The fan is powered by 230V, ignoring the instructions is potentially lethal. The fan or its components must not be worked on. Impacts on the cable sheaths are potentially lethal. If there is a fault in the fan it must be returned to the place of purchase.

Installing the fan

Insert the fan in the rectangular opening in the footplate. The rear edge of the fan must be supported against the edge of the opening. Check that the rubber strip on the fan is against the edge of the opening in the foot plate otherwise noise will occur.

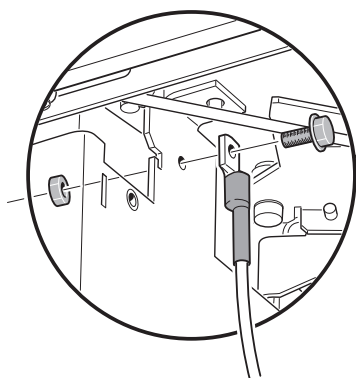




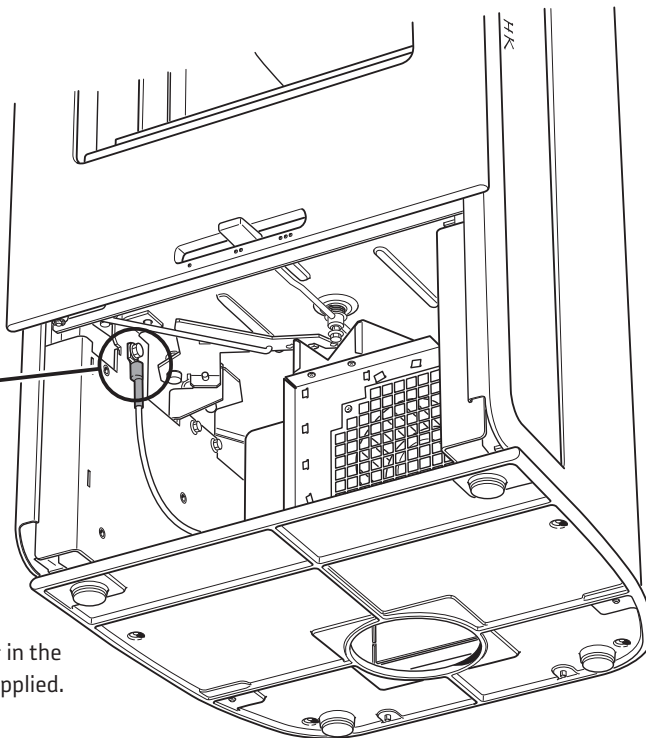
The temperature sensor must only be attached using cable terminals. Impacts on the cable sheath are potentially lethal.



In case of not using the fire over a longer period (e.g. during the summer) please unplug the fan. This is to protect the fan's sensitive electronics against lightning strike.



Secure the temperature sensor in the hole using the screw and nut supplied.



Installing the control box

The plug and control box are threaded out through the knockout in the back of the stove. Install the control box on the wall at a suitable height. Connect the plug only when the fan is fully installed.

Operating

Connect the plug to the mains.

The fan control box has eight positions.

Mode (0) = The fan is completely switched off.

Mode (1-4 Auto) = Four different speeds for the fan to start and stop automatically when the stove becomes hot or cold.

Mode (1-3 Man) = The fan is controlled manually with three speeds.

Automatic control

The fan uses a control module to start and stop the fan automatically. It functions as follows: The fan starts when it is approximately time for the first addition of firewood, this occurs approximately 25 minutes after the fire is lit (read lighting instructions). When the fire is dying the fan stops approximately 2 hours after the fire has turned to embers. The fan uses the heat that the stove produces and circulates it around the room efficiently. This means that the fan may stop and restart a couple of times before it stops completely. If the stove is already warm and the switch is turned to "auto" the fan needs a few minutes to sense the heat of the stove before it starts. The times can vary depending on the amount and type of wood. For example, dry wood starts more quickly and a large bed of embers takes longer to cool. In the event of running problems the control module can be reset to correct the problem. This is done by pulling the plug out and reconnecting it after approximately 15 minutes.

Technical specifications

Power supply: 230V 50Hz Output: 40W