

Contura



CONTURA 600 Style

Beauty that comes from within, but is seen on the outside

A fire is an eye catching centrepiece to a room. If there is the space and area, one should invest in a stove that can stand out on its own, for the heat but also for the design. A fire should give maximum cosiness, and a stove must always suit the decor of the room.

The stoves in the Contura 600 Style series have become more attractive all round: they heat better and have both improved and new features. But most of all they have been redesigned, have new surrounds, doors and colours. As we all know, beauty comes from within, but it is also seen from the outside.

"We invested in a slightly larger stove because we wanted to have a big, beautiful fire in a big and beautiful room."



C600 Style with new design, new functions and better output

The popular Contura 600 series of stoves is now known as Style and gets redesigned doors and controls that have been developed for the successful concept. But the Contura 600 series has many more new features than that – design and function have been improved from the inside and out in the smallest detail.

New features include; closed-door, automatic start, boost-function and silent ashbox, all of which we are sure you will appreciate, likewise the innovatively designed firebox that further increases output. Or simply put: you get more heat from the logs. In addition, you can choose between three different sizes, three colours and surrounds in artstone or soapstone.

With attractive and practical accessories your Contura 600 Style will be exactly how you want it.

Beautiful inside for heating the room

Just as car engines and white goods are becoming more energy efficient, the combustion technology of stoves is also being developed. At Contura we are constantly considering how we can improve the stoves and we have always been amongst the best in class. Now we have refined our technology even further. The firebox of the Contura 600 Style has a new, more attractive and streamlined design which means that the heat that radiates from the stove has a more even spread. Nice, right?



Contura stoves are protected by registered design rights so you can be certain of unique design and performance.



C610 Style
Cast iron door
Black or grey metal



C610G Style
Glass door
Black metal



C610G Style
Glass door
White metal



C610AG Style
Artstone
Glass door
Black metal



C620
Cast iron door
Powerstone
Black metal



C620T
Soapstone
Cast iron door
Black or grey door



C690 Style
Cast iron door
Black or grey metal



C690G Style
Glass door
Black metal



C690G Style
Glass door
White metal



C690T Style
Soapstone
Cast iron door
Black or grey



C690AG Style
Artstone
Glass door
Black



ASF AUTOMATIC START FUNCTION

Is an ingenious function that automatically controls the lighting air through the grate. It means that the door can be shut at the same time that the start-up fire is lit and the stove therefore becomes completely independent of room air. Which means it feels safer not having to leave the stove with an open door during the start-up fire. It is also perfect for modern buildings with negative pressure. The function is unique to Contura and a patent applied for.



RBF REFUELLING BOOST FUNCTION

With the boost function you can "save" embers that have nearly died. You just open the handle on the left, new oxygen flows in from below and brings out the embers so that the new wood catches light. After a short time you can once again enjoy a beautiful fire and heating.



SSA SILENT SLIDING ASH TRAY

Beauty in the smallest detail we say – and mean it. Contura 600 Style has a new ashbox, which, thanks to its design and damping function, slides quietly and softly during emptying.

NEW DESIGN AND BETTER OUTPUT

With Style the 600 series has gained a new, slender door all in glass or with a cast iron frame. The glass is larger and the damper is more discreet. The handle for opening has been redesigned and does not get hot.



A new personal favourite

C610 Style is the smallest model in the grown up 600 series. For example, you can choose a cast iron or glass door, surround in artstone or metal (black, grey or white), log compartment or door, front cover or warming shelf above the door and accessories such as a heat retaining powerstone, hotplate and fan. One attractive and practical new feature is log storage at the side of the stove.

Surround: metal or artstone.

Accessories: painted aluminium, soapstone or glass top, shelf or cover, log compartment or door, freestanding shaped wood storage and heat retaining powerstone.



● Black (with glass door or cast iron door)

● Grey (only with cast iron door)

○ White (only with glass door)

Output	3-9 kW
Efficiency	82%
Heats	up to 150 m ²
Height	1260 mm
Width	540 mm
Depth	495 mm
Weight C610/610AG	120/176 kg
Max. log length	36 cm



CONTURA 610 STYLE



CONTURA 610AG STYLE



CONTURA 620 STYLE





CONTURA 620T STYLE



- Surround:** heat retaining soapstone (C620T) black metal (620)
Accessories: powerstone (included in C620) cover or door



- Grey (only C620T)
- Black

Heating for everyone, throughout the whole house

Contura 620 Style is equipped with heat retaining powerstone and convection damper as standard. If you choose the cover instead of the warming shelf above the door there is also space for even more powerstone. This means that you get even more heat out of your logs because the heat is retained in the stone. The model has a cast iron door. Optional lower compartment cover.

Contura 620T has a surround in heat retaining soapstone. If you choose the cover, instead of the warming shelf above the door, you can also order powerstone, which means that you can extract even more heat. The model has a cast iron door. Optional lower compartment cover.

Output	3-9 kW
Efficiency	82%
Heats	up to 150 m ²
Height	1290 mm
Width	580 mm
Depth	515 mm
Weight	270 kg
Max. log length	36 cm

CONTURA 690G STYLE



With a lot of everything

The Contura 690 models give the majestic impression of the tiled stove with the advantages of the modern stove: it displays a proper fire high above the floor. This model has lots of everything: three different colours, three different tops, two different doors, two surrounds, lower door (standard) and several accessories such as log storage and heat retaining powerstone. Regardless of your favourite variant, you will enjoy many hours of cosiness and pleasant heat each time you light a fire.

Surround: grey, black or white metal.

Accessories: painted aluminium, soapstone or glass top, freestanding, shaped wood storage, powerstone, fan. All models have a lower section door.



- Black (with glass door or cast iron door)
- Grey (only with cast iron door)
- White (only with glass door)



Output	3-9 kW
Efficiency	82%
Heats	up to 150 m ²
Height	1650 mm
Width	540 mm
Depth	495 mm
Weight	133 kg
Max. log length	36 cm

CONTURA 690T STYLE



Extra height, extra heat

A larger stove has a greater output, that it gives off more heat than a smaller one. There are also good ways of getting even more heat out of your stove. Soapstone is a naturally heat retaining material. With a soapstone surround the stove can remain warm for several hours after the embers have died. The soapstone has a unique natural veining, which means that no two stoves are the same.

Artstone is a natural grey, velvet ground cast stone, unique to Contura. This gives the stove a modern, powerful look. Both models can be combined with heat retaining powerstone.



Surround: artstone or heat retaining soapstone.

Accessories: shaped storage (not for C690T), powerstone, fan. All models have a lower section door (standard).



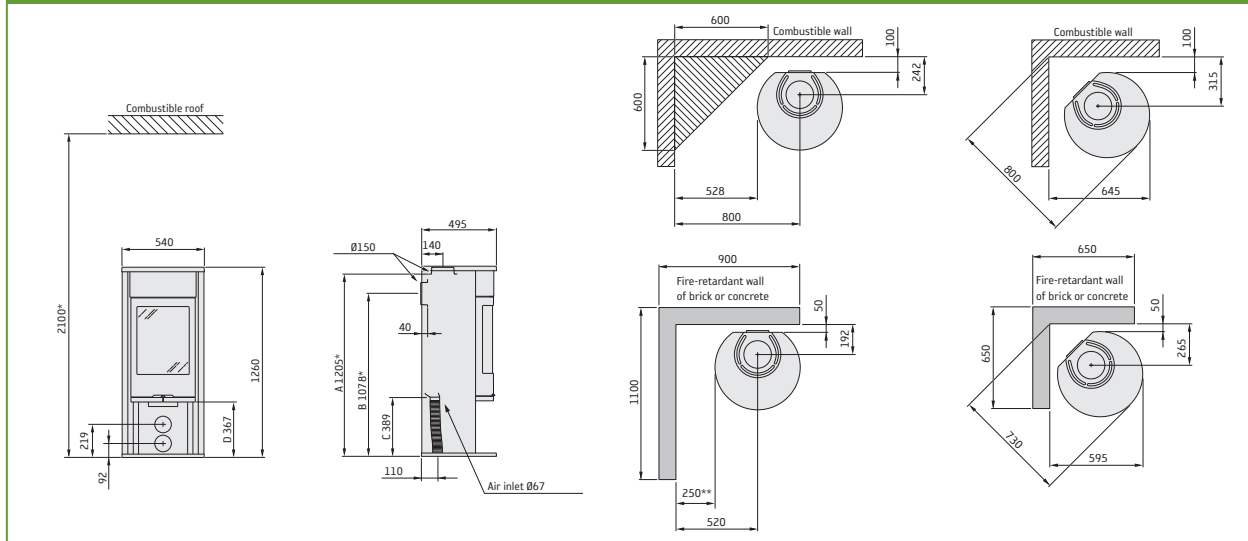
- Black (with glass door or cast iron door)
- Grey (only with cast iron door)
- White (only with glass door)

Output	3-9 kW
Efficiency	82%
Heats	up to 150 m ²
Height C690AG/690T	1650/1680 mm
Width C690AG/690T	540/580 mm
Depth C690AG/690T	495/515 mm
Weight	221/322 kg
Max. log length	36 cm

Position the stove correctly in the room for the best effect

Here are the detailed dimension diagrams for all stoves in the Contura 600 Style series so that you can plan its position and installation. Ask your dealer for advice or instructions to assist installation.

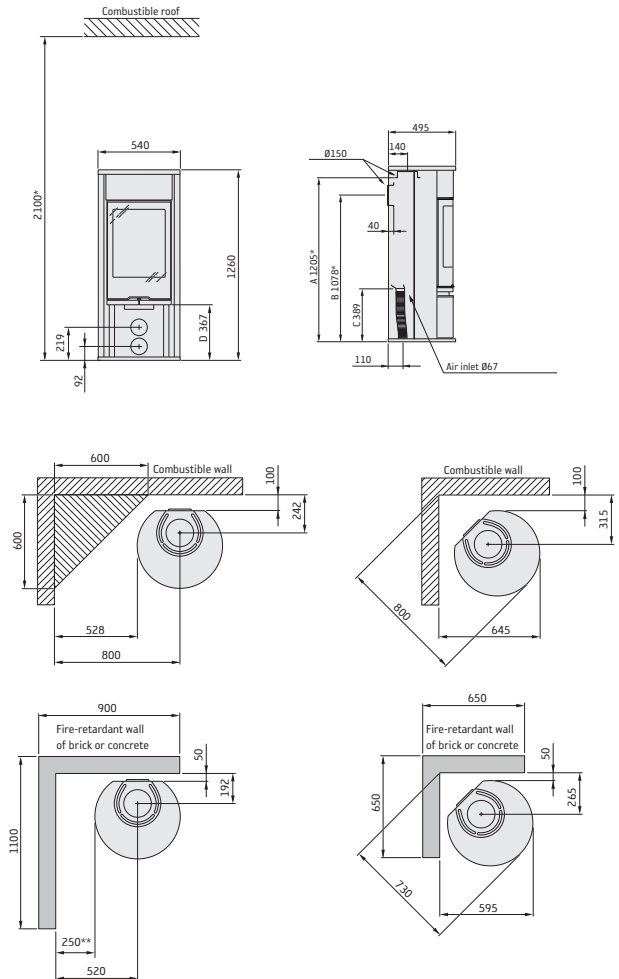
C610/610G Style



*To prevent discolouration of painted fire walls, we recommend the same side distance as to combustible walls.

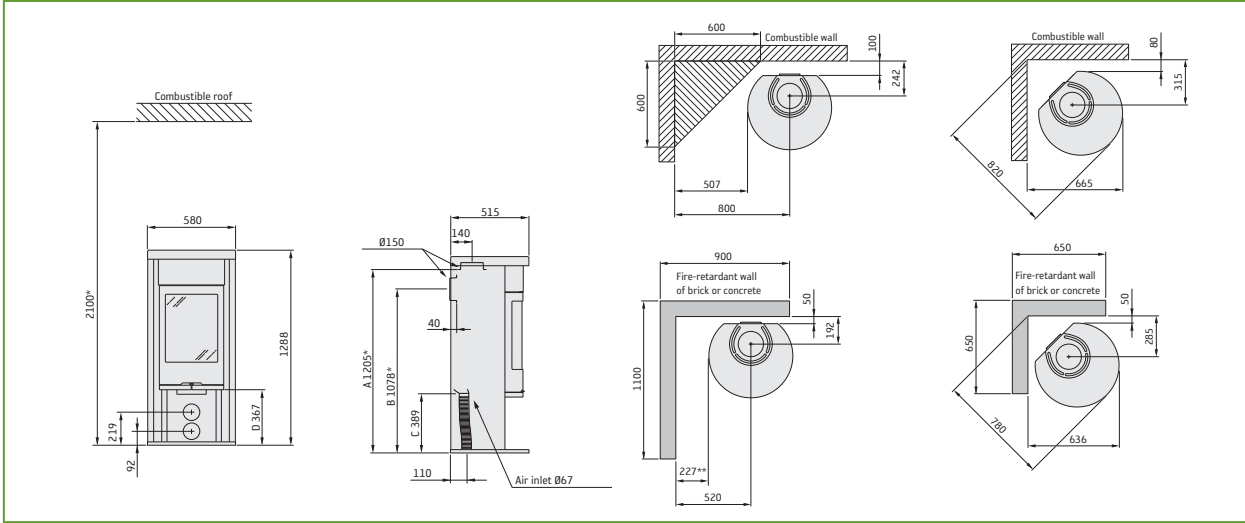
C610AG Style

- A = height from floor to chimney connection upwards
- B = height from floor to c/c chimney connection rear
- C = height from floor to air inlet
- D = height from floor to lower edge of hatch



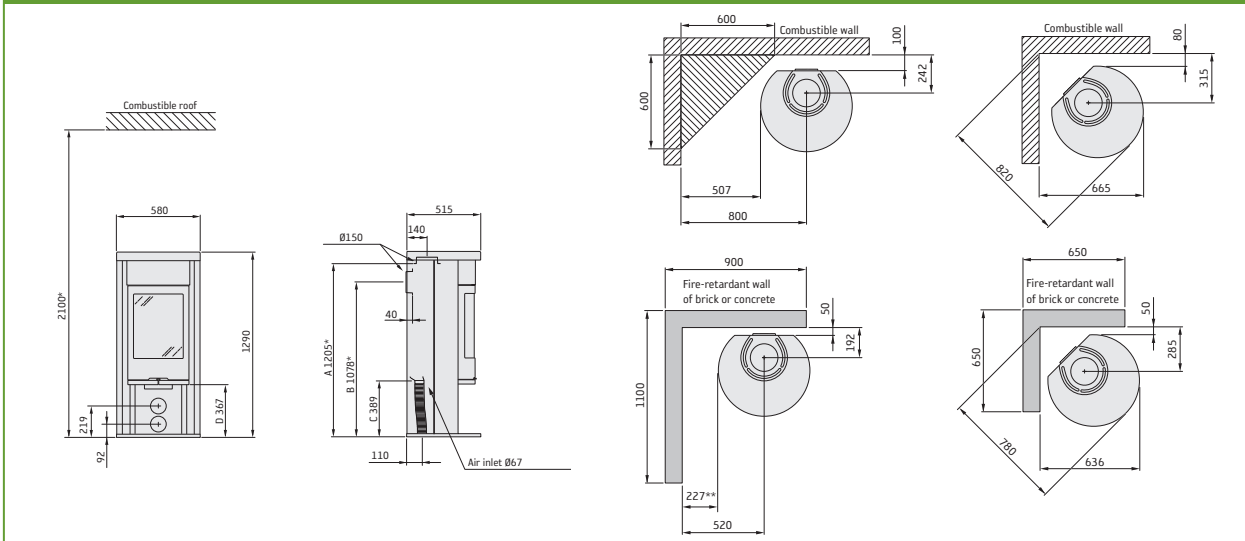
*To prevent discolouration of painted fire walls, we recommend the same side distance as to combustible walls.

C620 Style



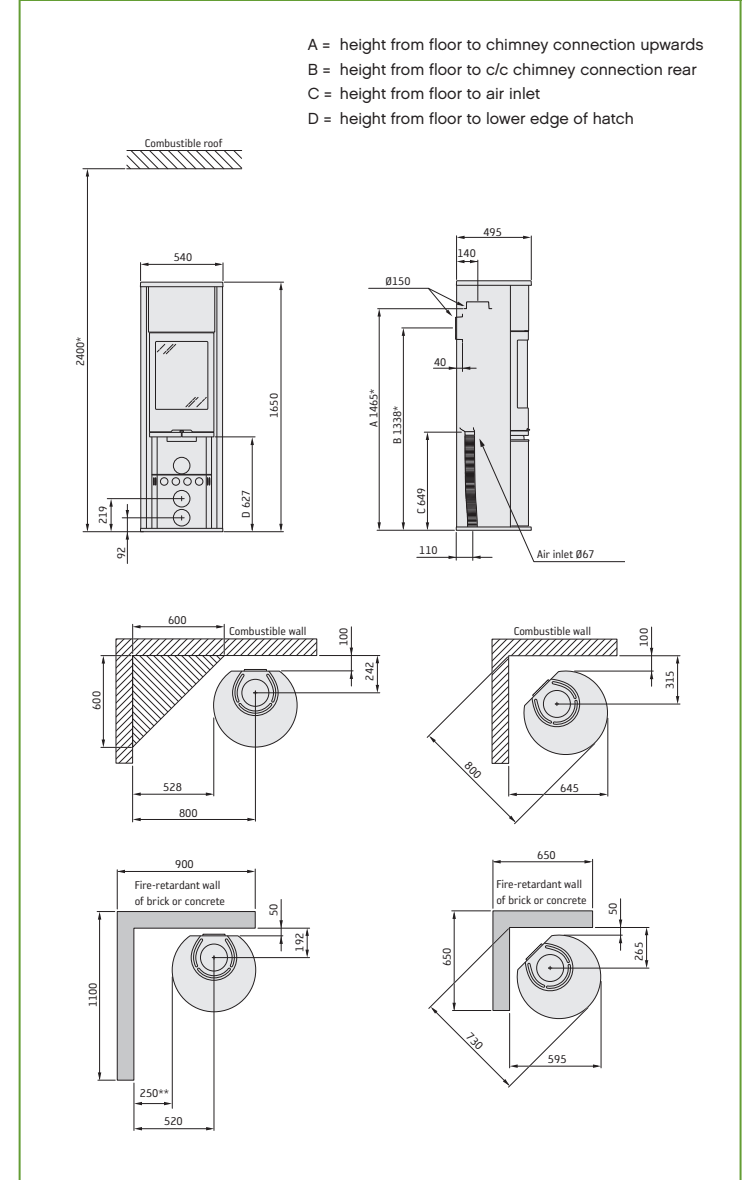
*To prevent discolouration of painted fire walls, we recommend the same side distance as to combustible walls.

C620T Style



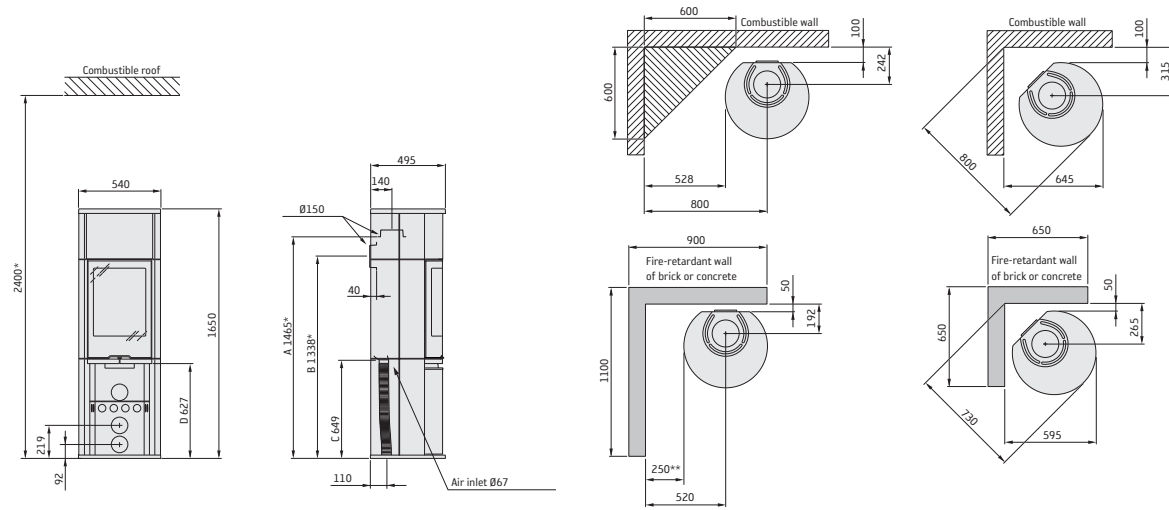
*To prevent discolouration of painted fire walls, we recommend the same side distance as to combustible walls.

C690/690G



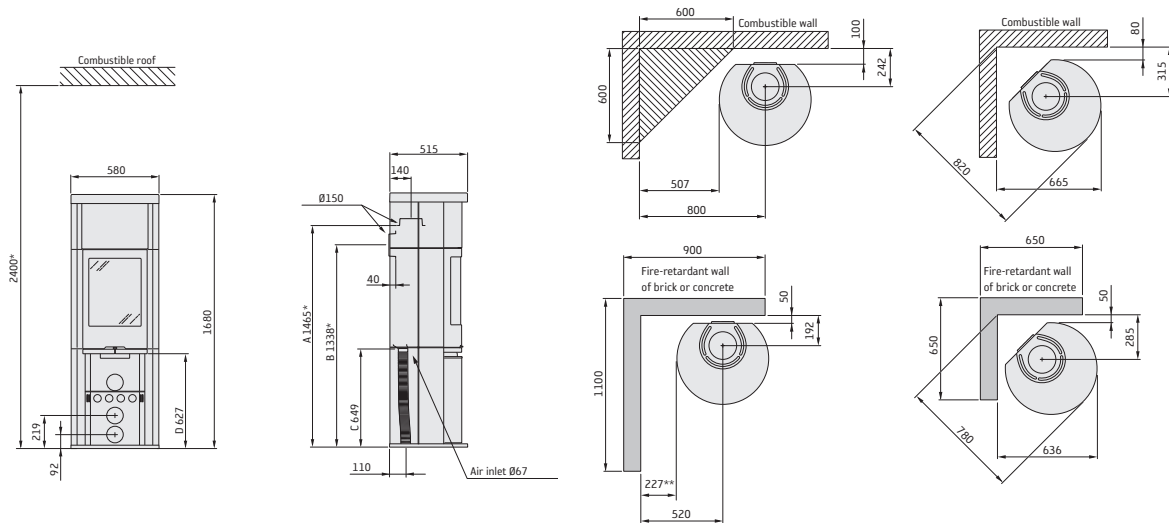
*To prevent discolouration of painted fire walls, we recommend the same side distance as to combustible walls.

C690AG



*To prevent discolouration of painted fire walls, we recommend the same side distance as to combustible walls.

C690T Style



*To prevent discolouration of painted fire walls, we recommend the same side distance as to combustible walls.

The beauty lies in the details

A really good stove can be even better with our accessories. An accessory can work without being seen – such as the heat retaining powerstone or a fan. Or an accessory can be chosen just for its looks – such as a glass top. It can also be practical and attractive - such as the shaped log storage. There are lots of options for all models in the Contura 600 Style series.



Heat retaining powerstone. Heat retaining powerstone can be selected as an option for all models. All high models can be equipped with a powerstone set above the door. For the low models a cover is required instead of a warming shelf. C620 has powerstone as standard.



Freestanding log storage. A new item that is as attractive as it is practical is the freestanding log storage, shaped for the artstone and metal stoves in the C610 and C690 series. Available in black, grey and white and can only be placed on the right hand side of the stove.



Hotplate. Use the heat energy with a hotplate. Available for the C610 series and C620 series.



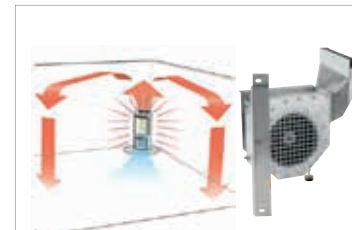
Tops. Choose from a painted aluminium, glass or soapstone top.



Cover upper compartment. Add a cover between the firebox and top.



Turntable. For those who want to position the stove in the centre of the room and enjoy the fire from all directions.



Fan. With a fan the heat is spread evenly over an even larger area. Accessories for the models in the C600 series (not C620).



Storage door. Door that covers the compartment under the firebox. Can be selected for models in the C610 and C620 series and is standard for the C690 series.

CONTURA 690G STYLE





Save money, change to a new stove

Do you have an old stove or fireplace?

Then there are several good reasons to replace the old one with a new one.

Just as car engines and white goods are becoming more energy efficient, stoves have also developed. A modern stove or insert releases half the carbon dioxide and soot of an old stove*. In addition, the efficiency is much greater, which means that you get more heat from fewer logs.

Modern stoves are better for the environment.

A new stove...

...reduces environmental emissions by up to 80 percent*

...reduces log consumption by up to 50 percent*

...is climate neutral

...shows more of the fire.

*Source: The Swedish Energy Agency



For a cosier world

We have a long tradition of innovation with design and technology. When you select Contura you can therefore count on:

Clean burning fires producing world-class natural heat Our efficient combustion technology gives maximum energy and minimal emissions.

Reliability backed by Swedish quality. We manufacture the stoves in Sweden with modern methods using quality materials from reliable suppliers.

Timeless design, shaped for your lifestyle. Contura's design has been thought out in every detail and there are a lot of options, so that you can find exactly what you want.



Contura

NIBE AB

Box 134

SE-285 23 Markaryd, Sweden

Tel: +46 (0)433 27 51 00

contura.eu

NIBE GROUP MEMBER

