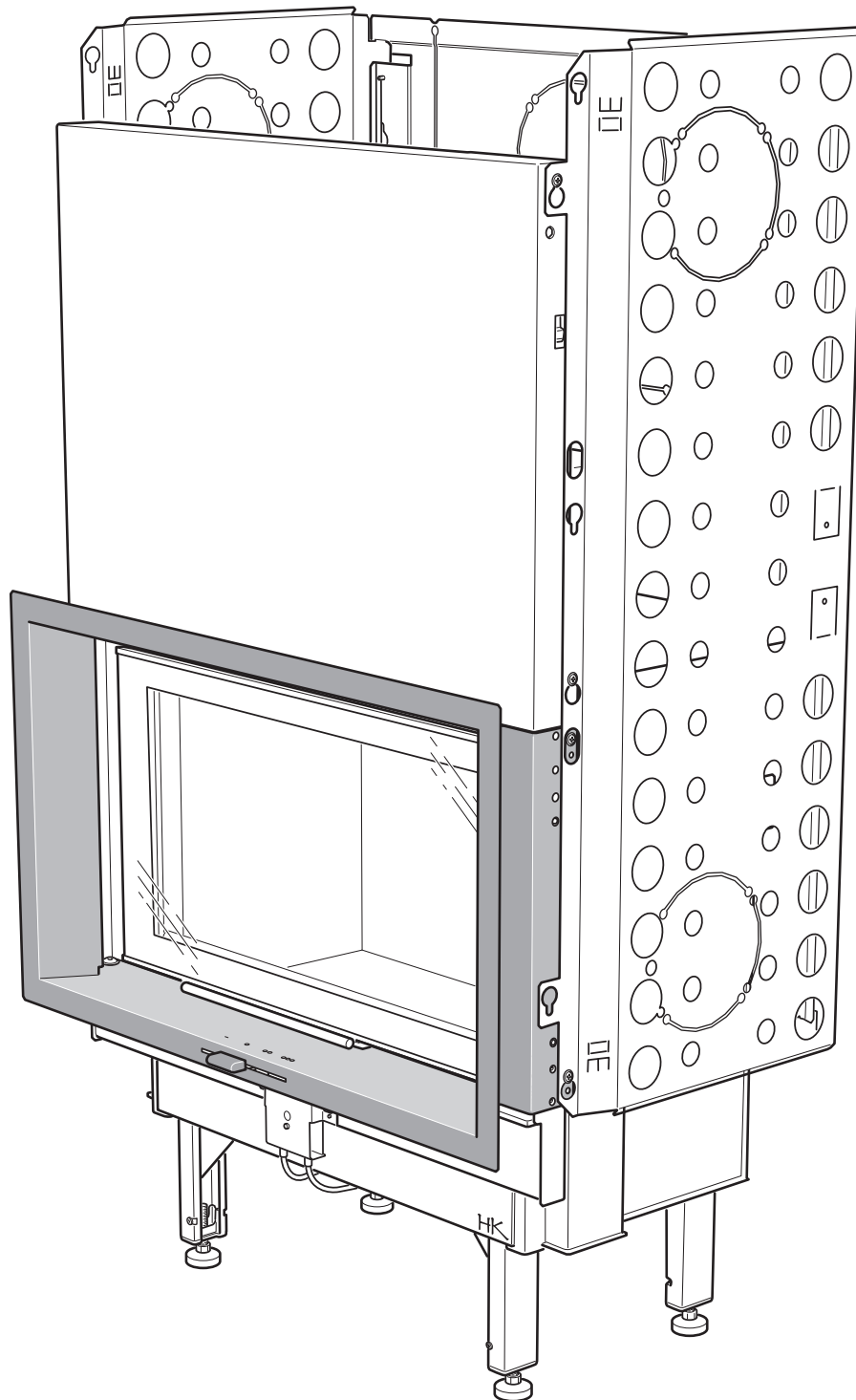
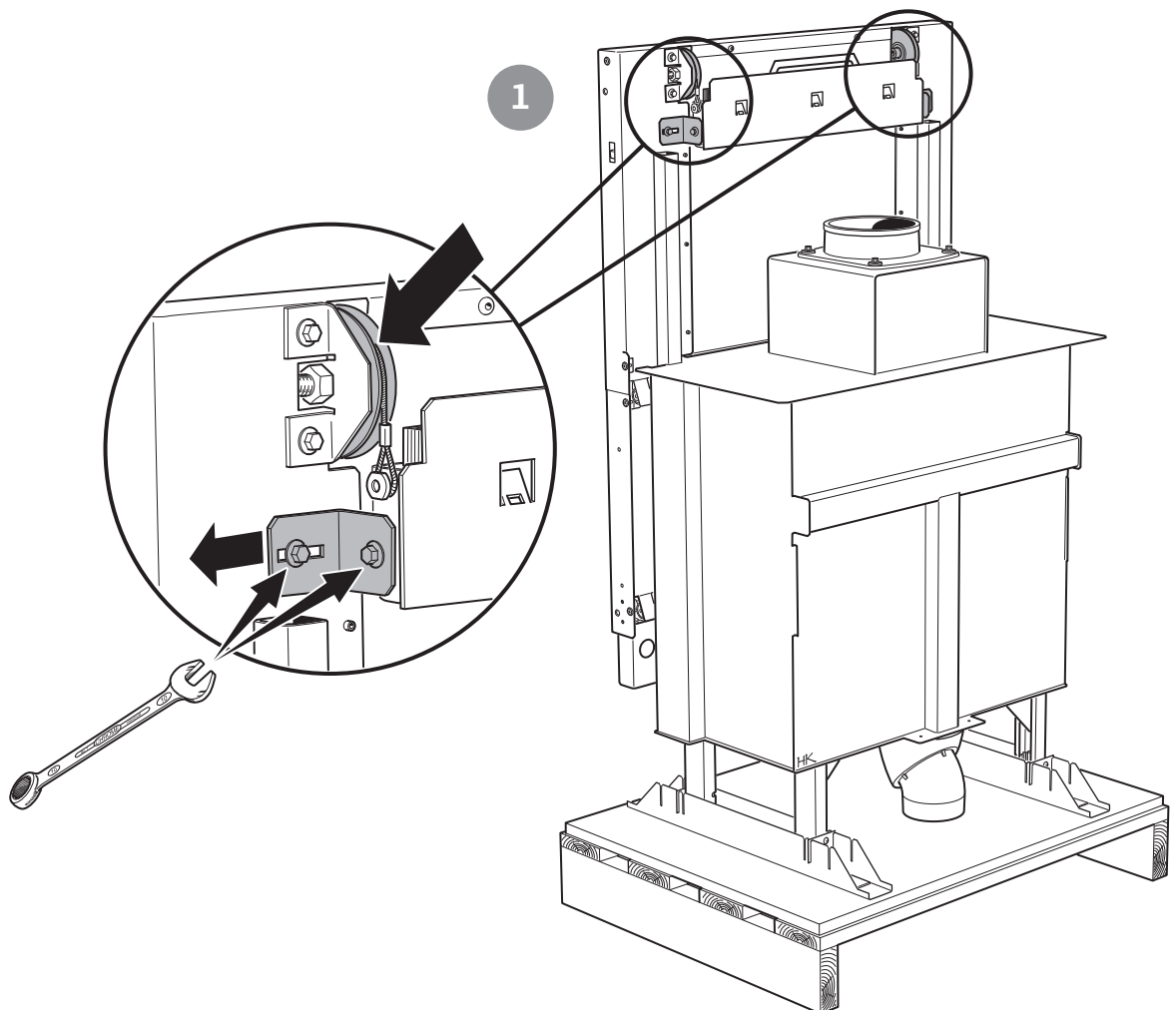
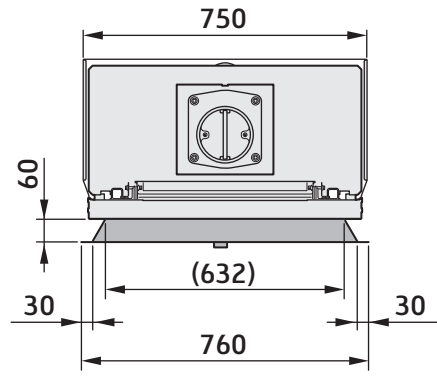
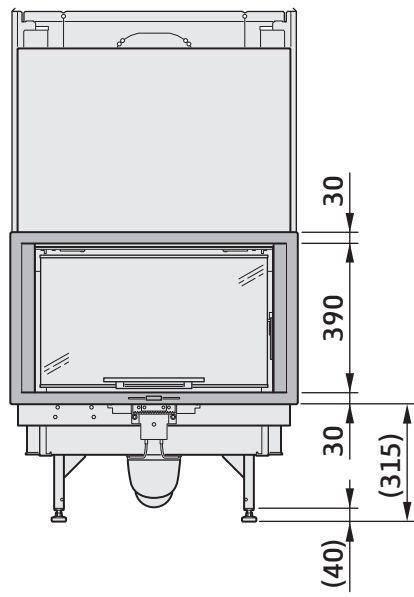


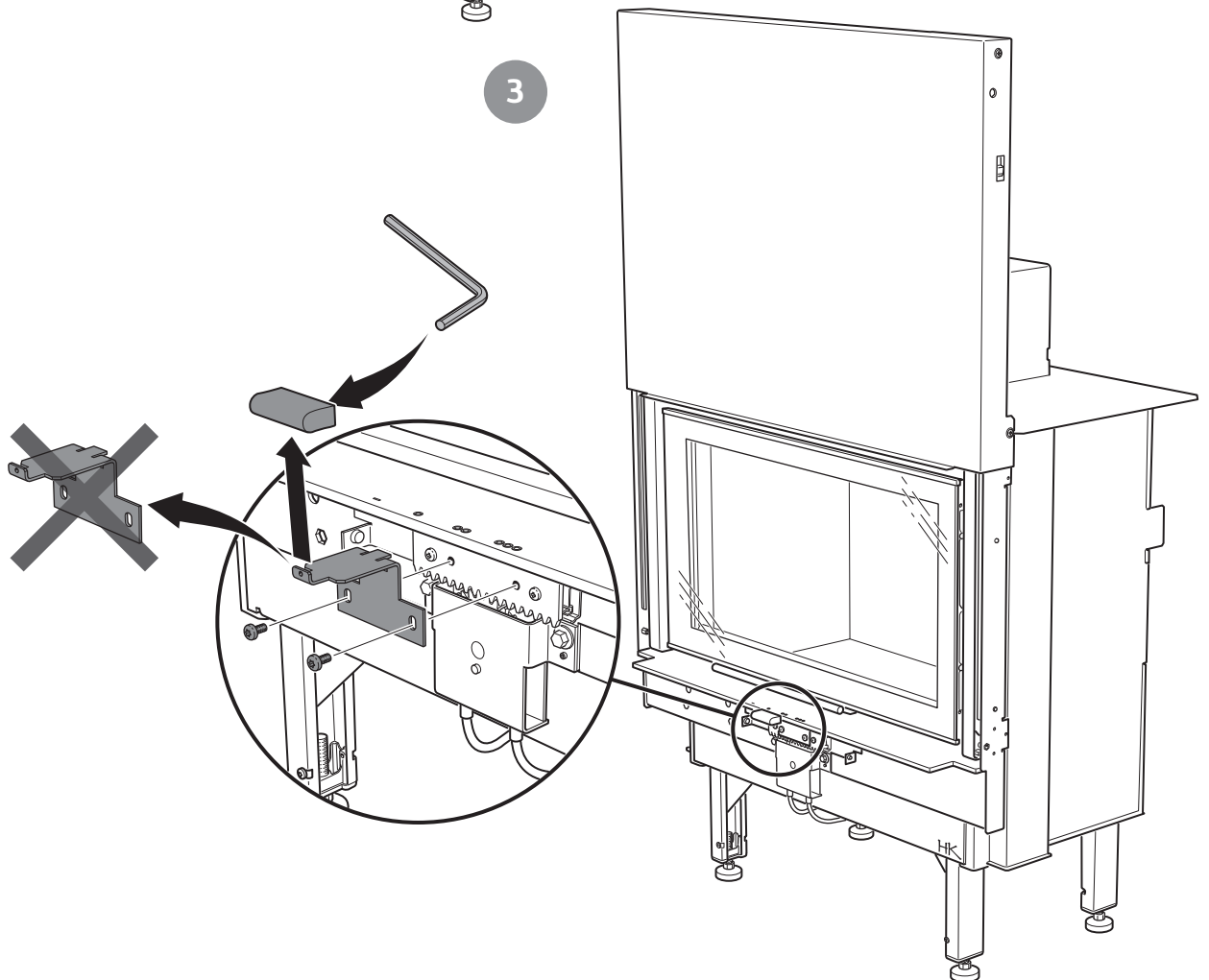
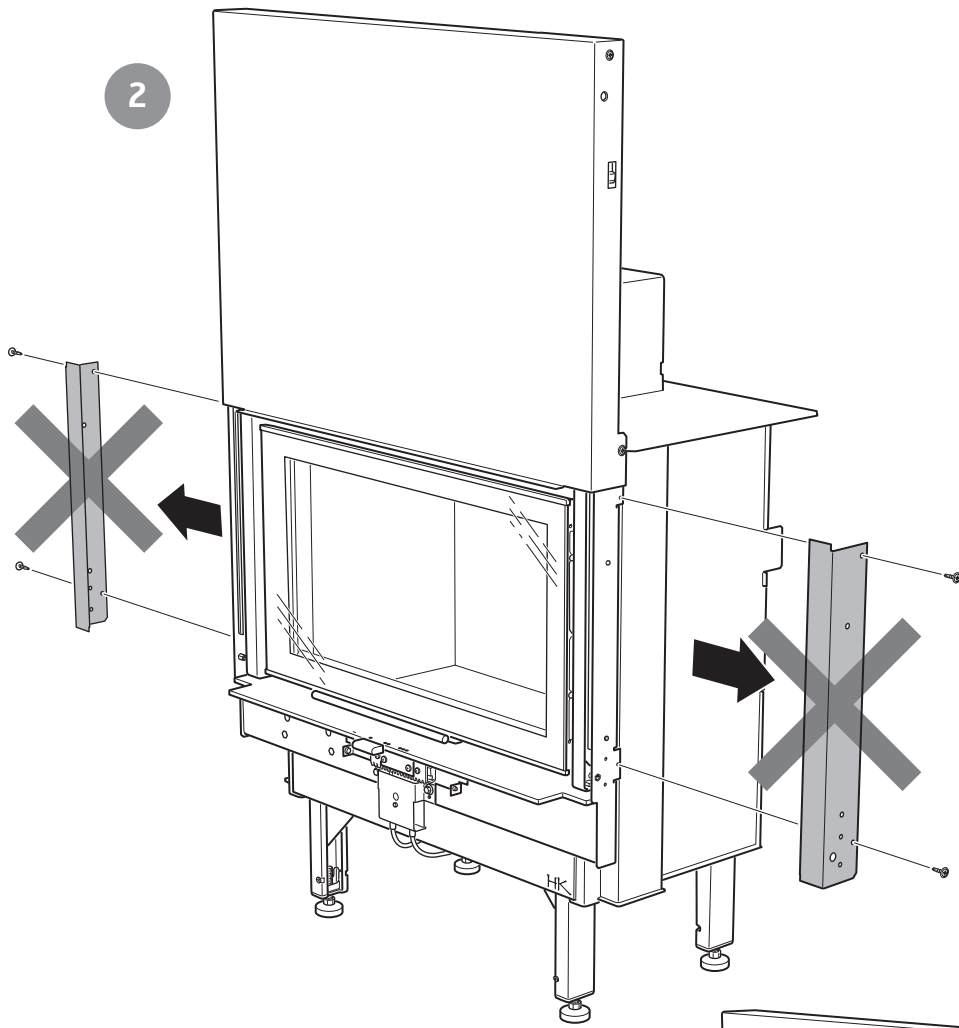
# Installation instruction

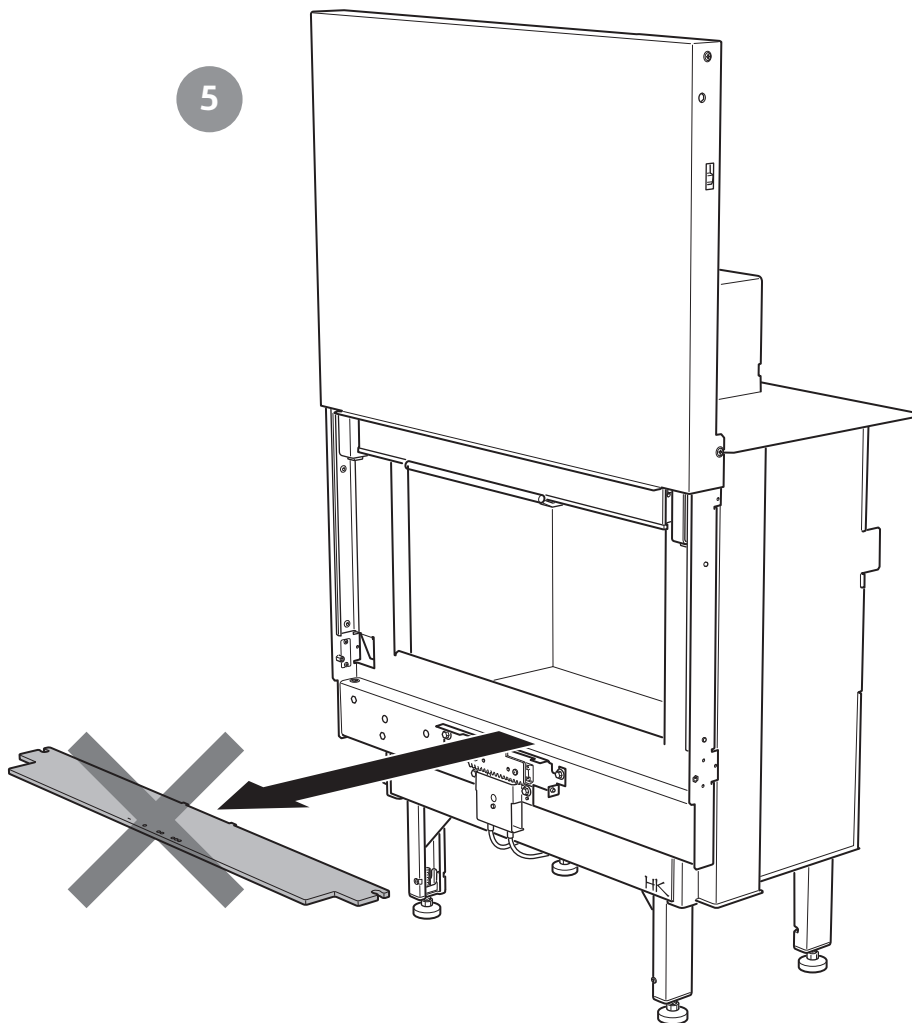
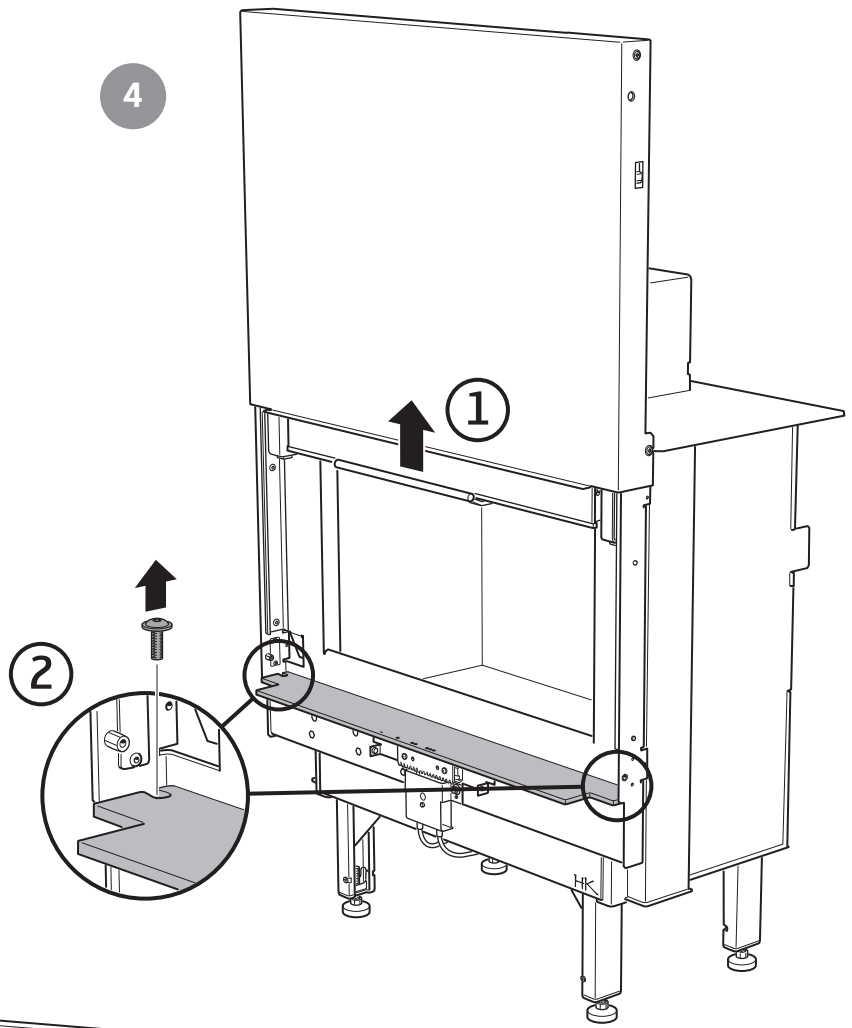


C i30

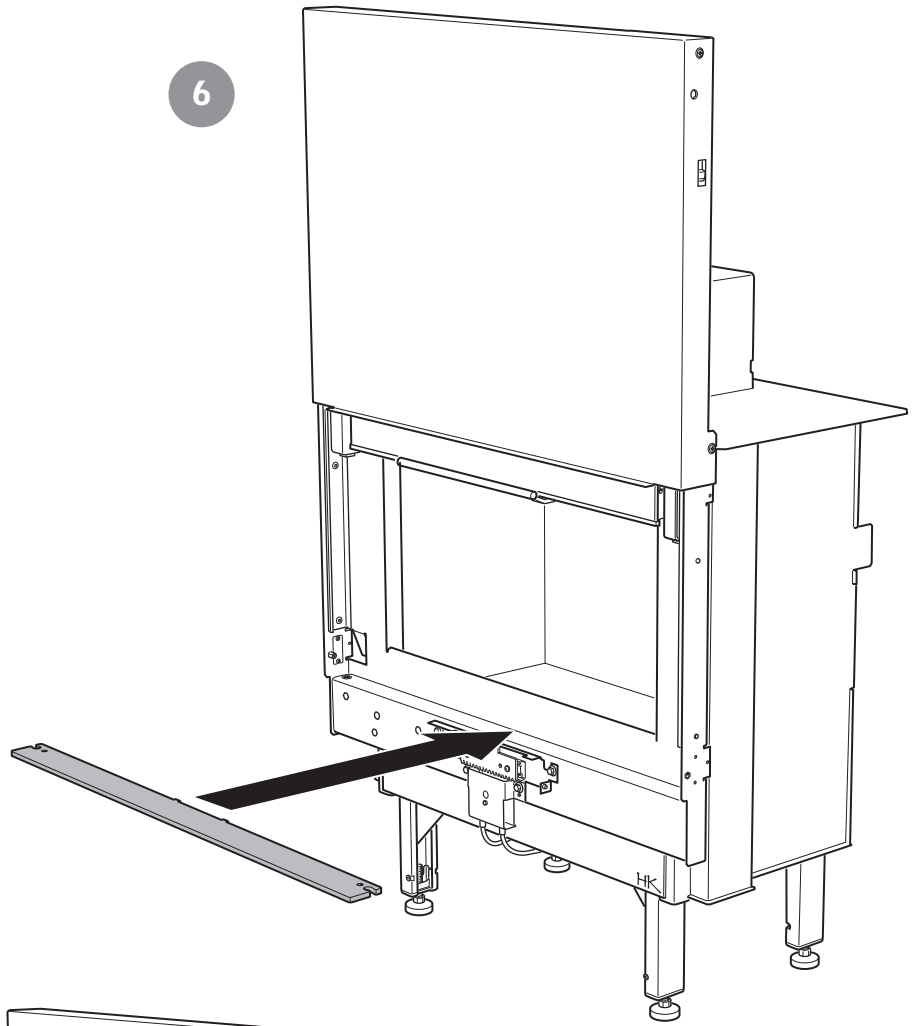
***Contura***



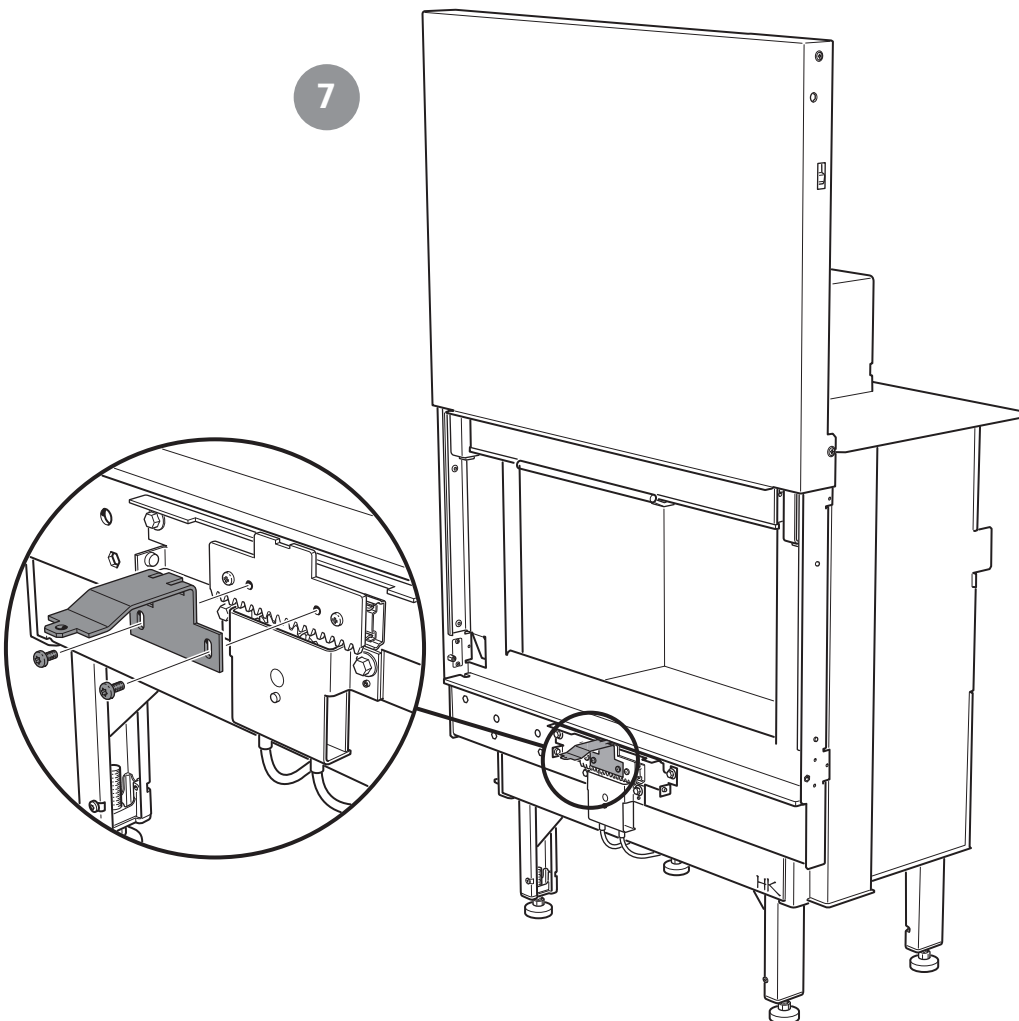




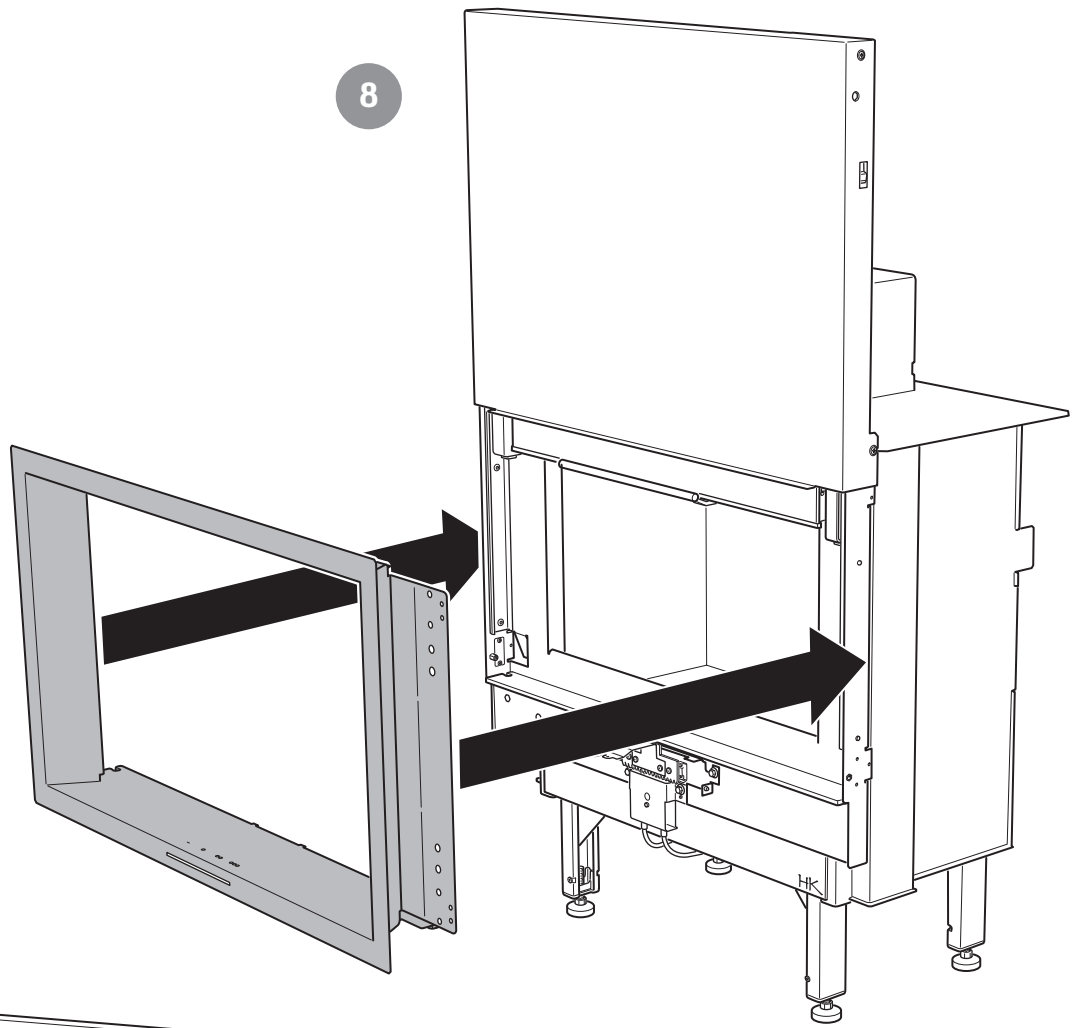
6



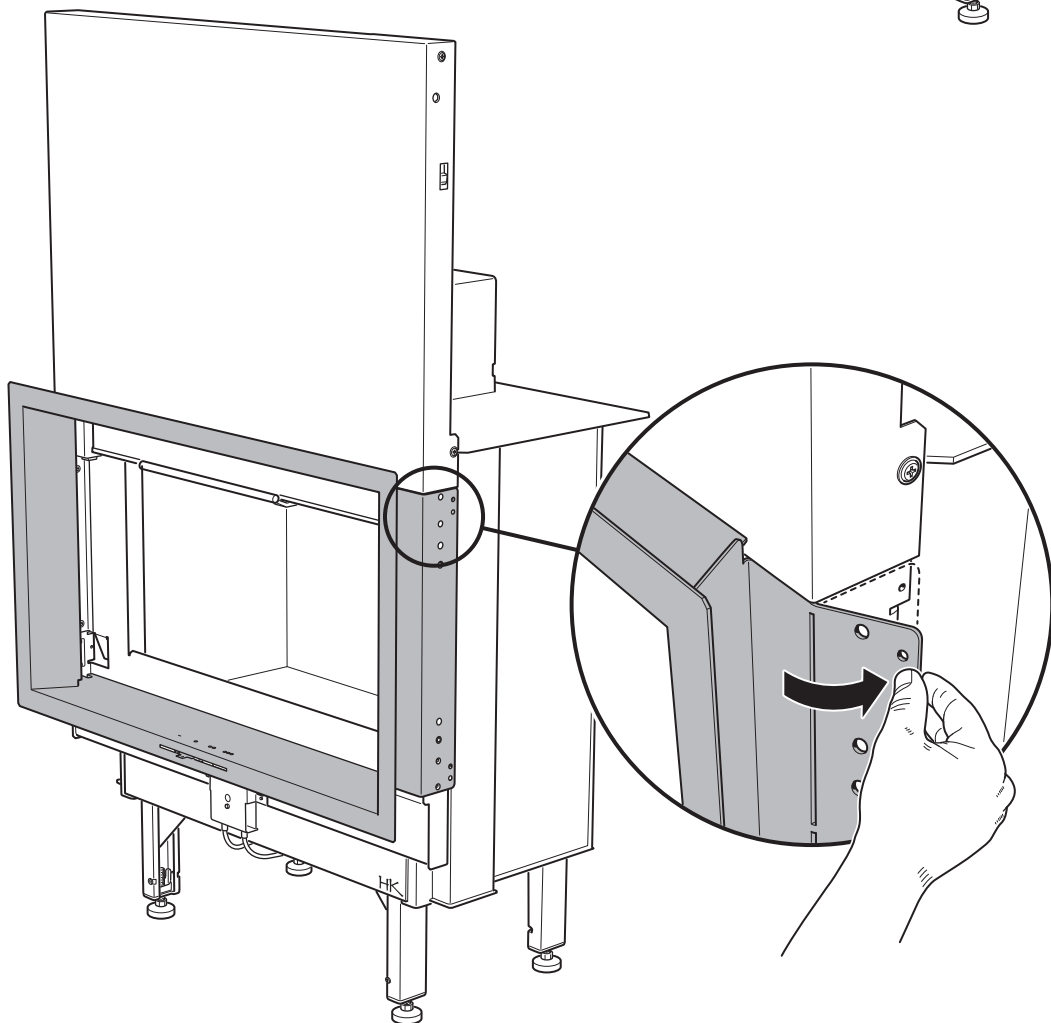
7

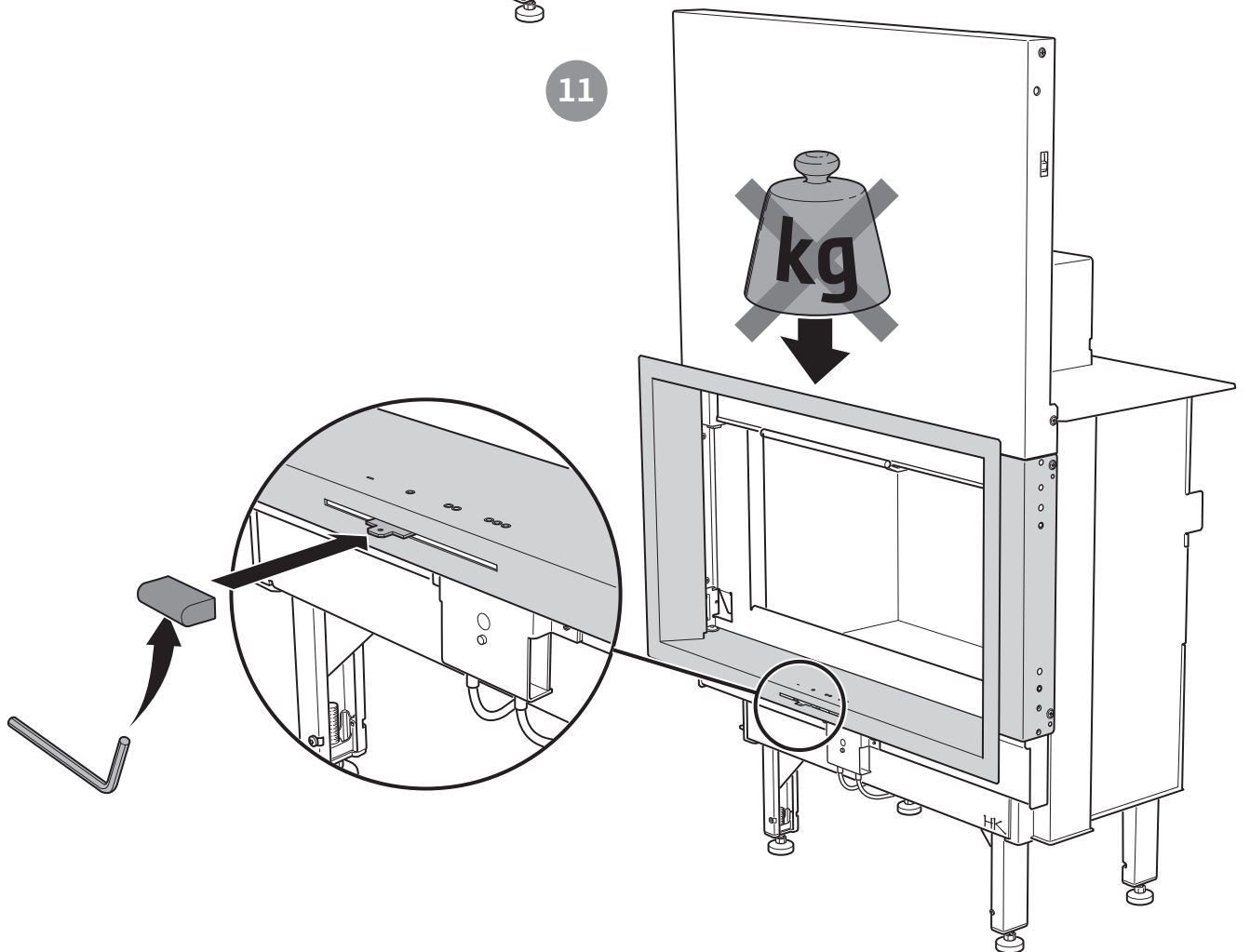
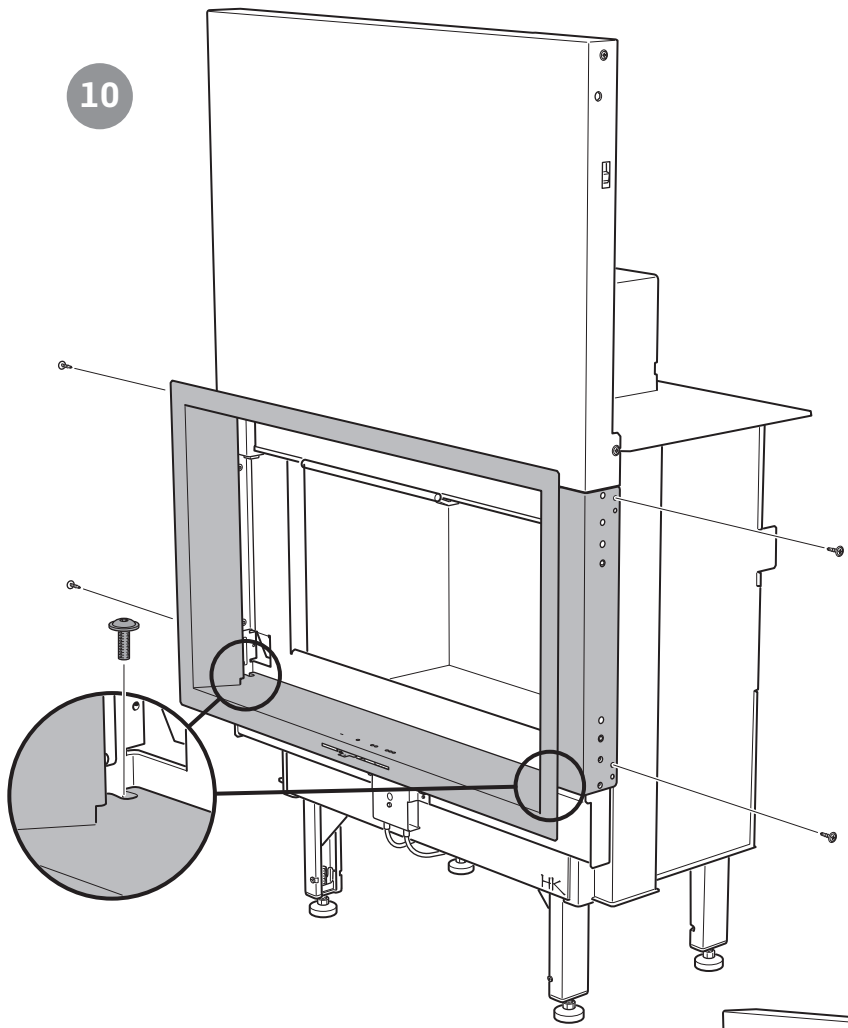


8



9





# *Contura*

NIBE AB · Box 134 · SE-285 23 Markaryd · Sweden  
[www.contura.eu](http://www.contura.eu)

Contura reserves the right to change dimensions and procedures described in these instructions at any time without special notice. The current edition can be downloaded from [www.contura.eu](http://www.contura.eu)

811219 MAV Luckram Ci30-6  
2016-03-24