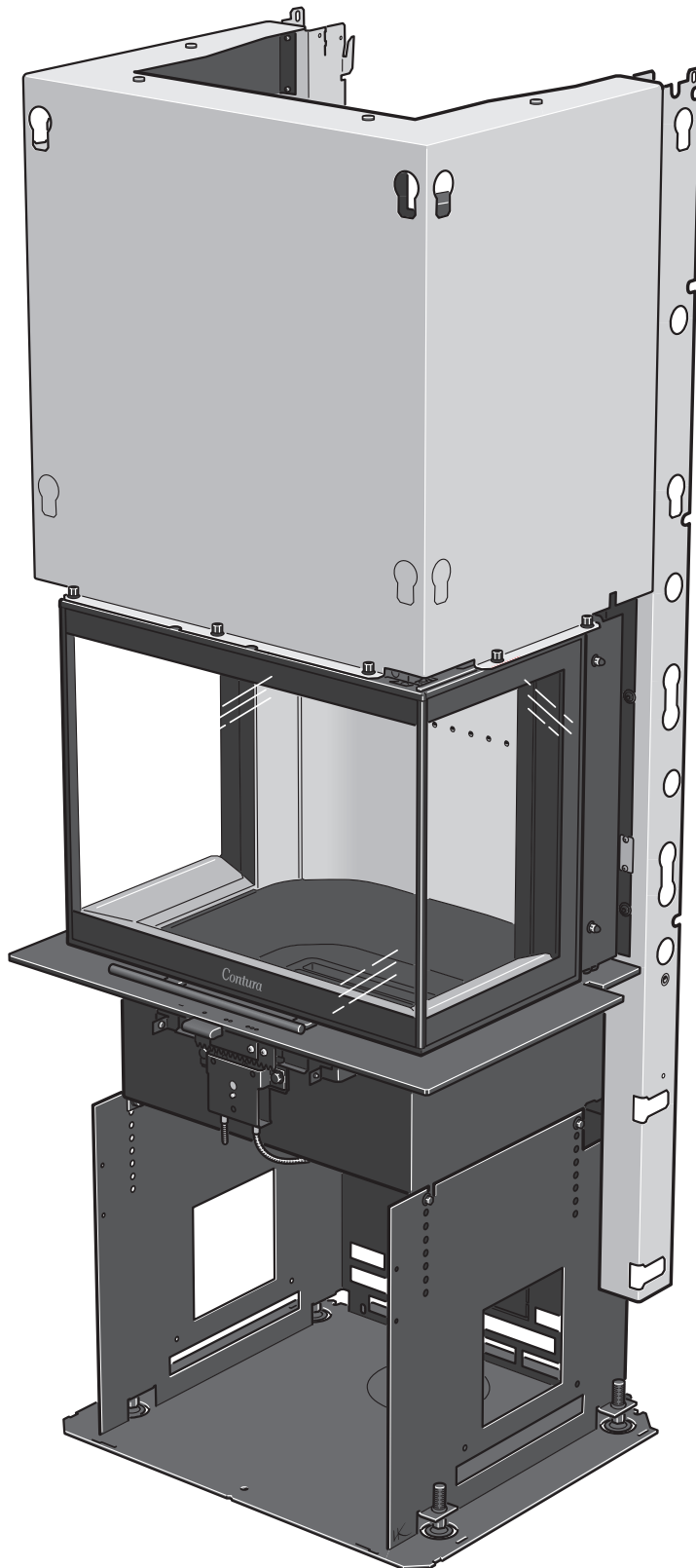


# Service Manual

Ci50 / Ci60



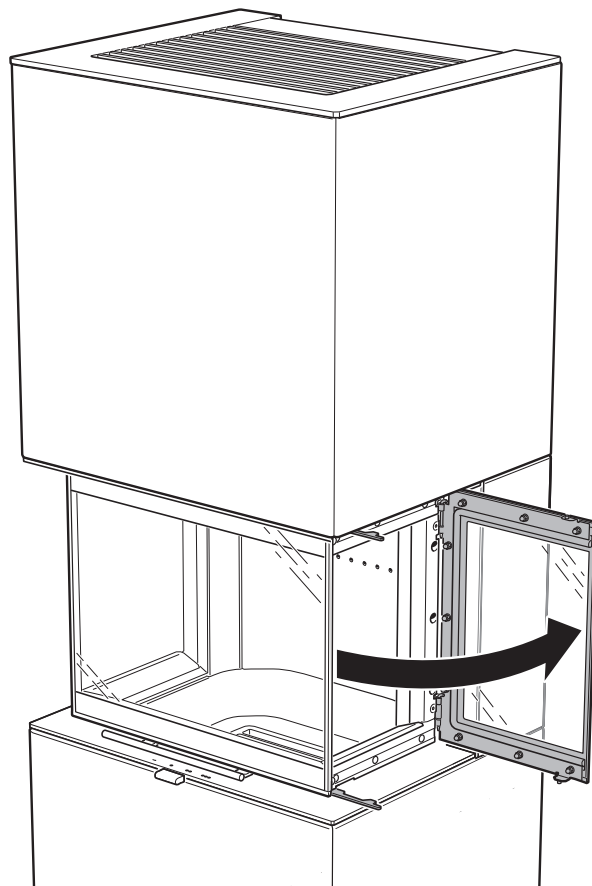
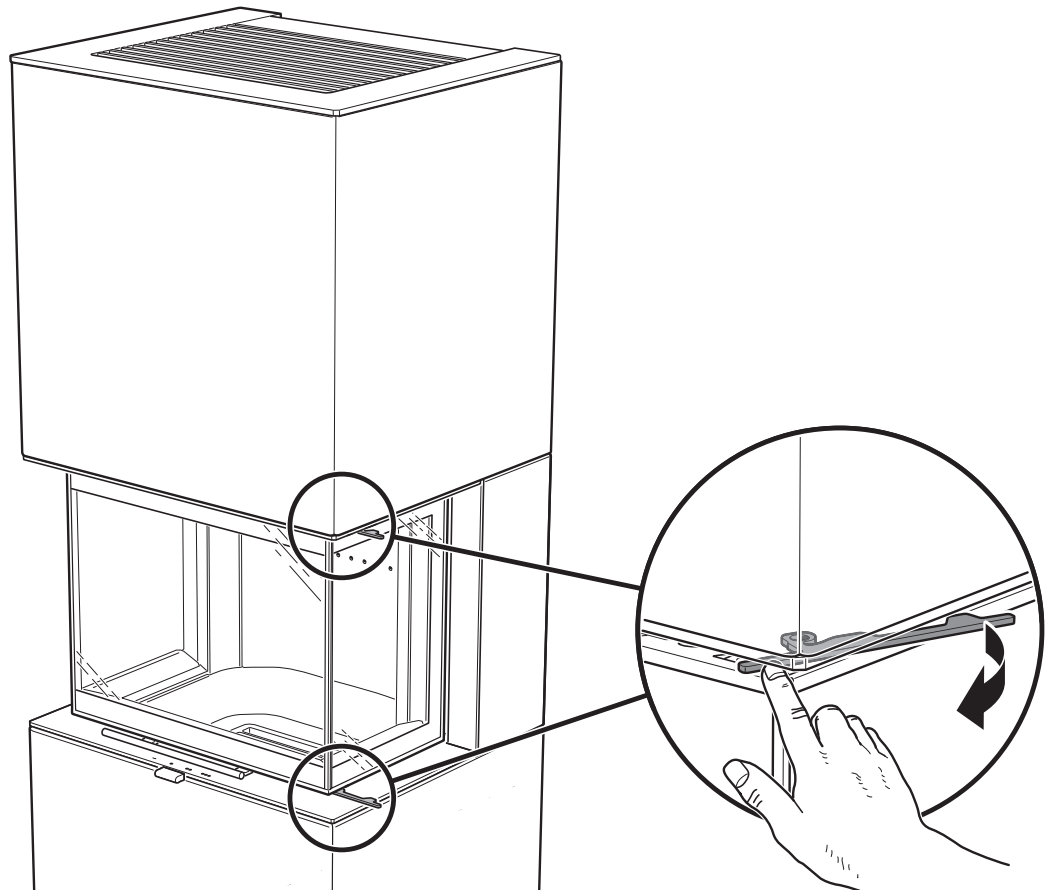
058105  
058447

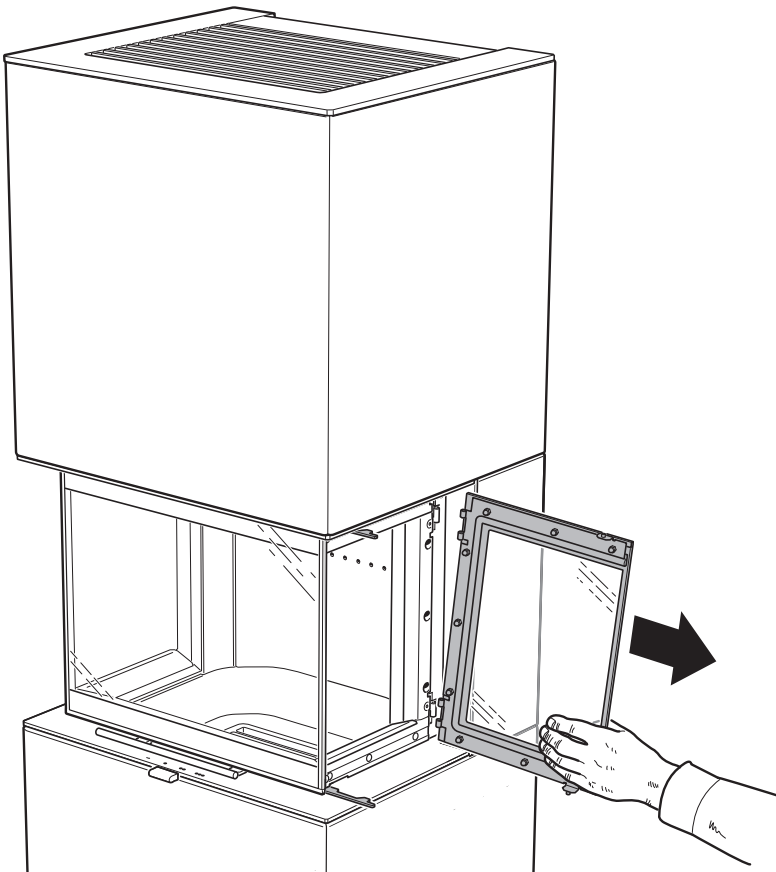
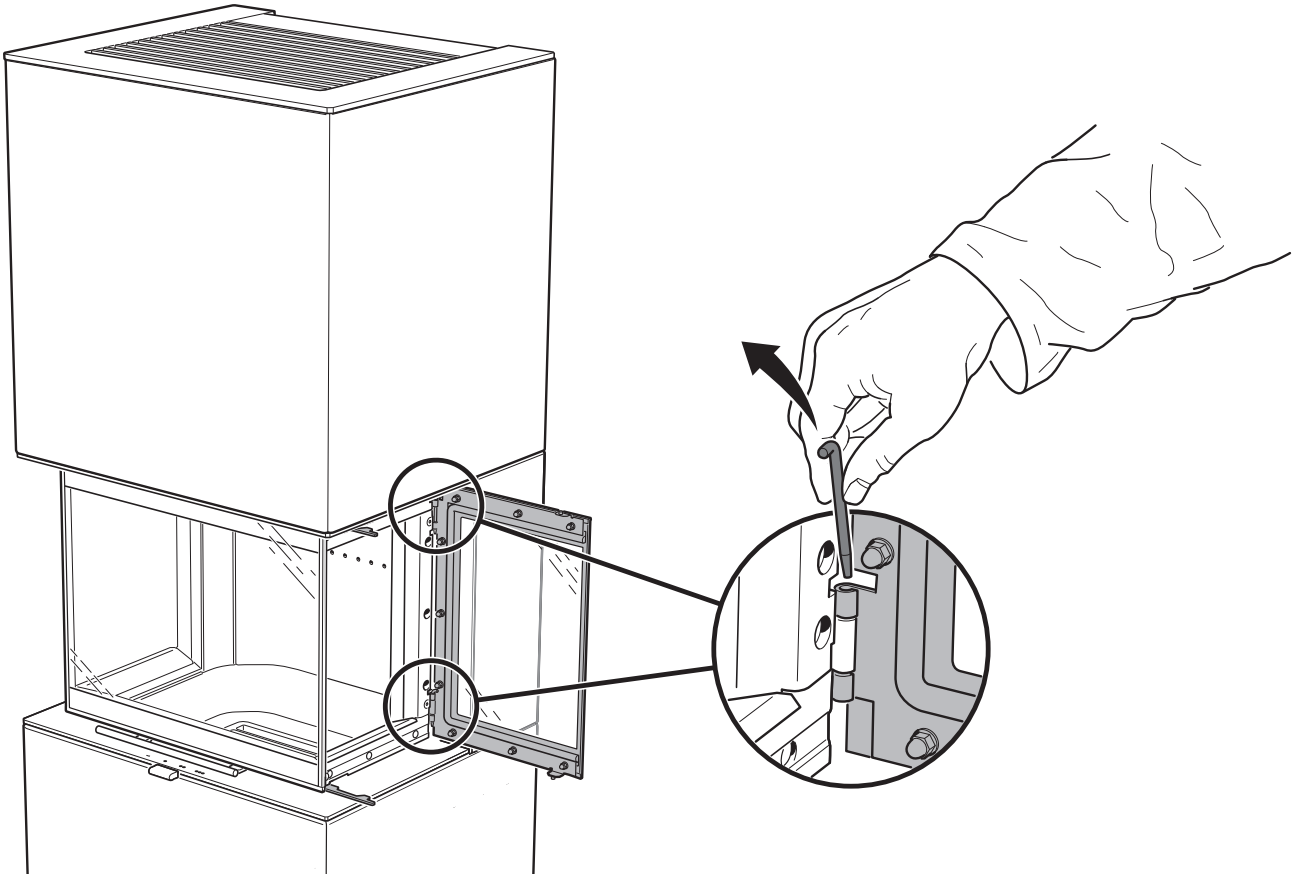
# *Contura*

## Table of contents

1. Replace side glass	2
2. Replace door	5
3. Assemble Door lining	8
4. Replace gasket back	10
5. Replace Guillotine mechanism	11
6. Replace damper	12
7. Replace wire	16

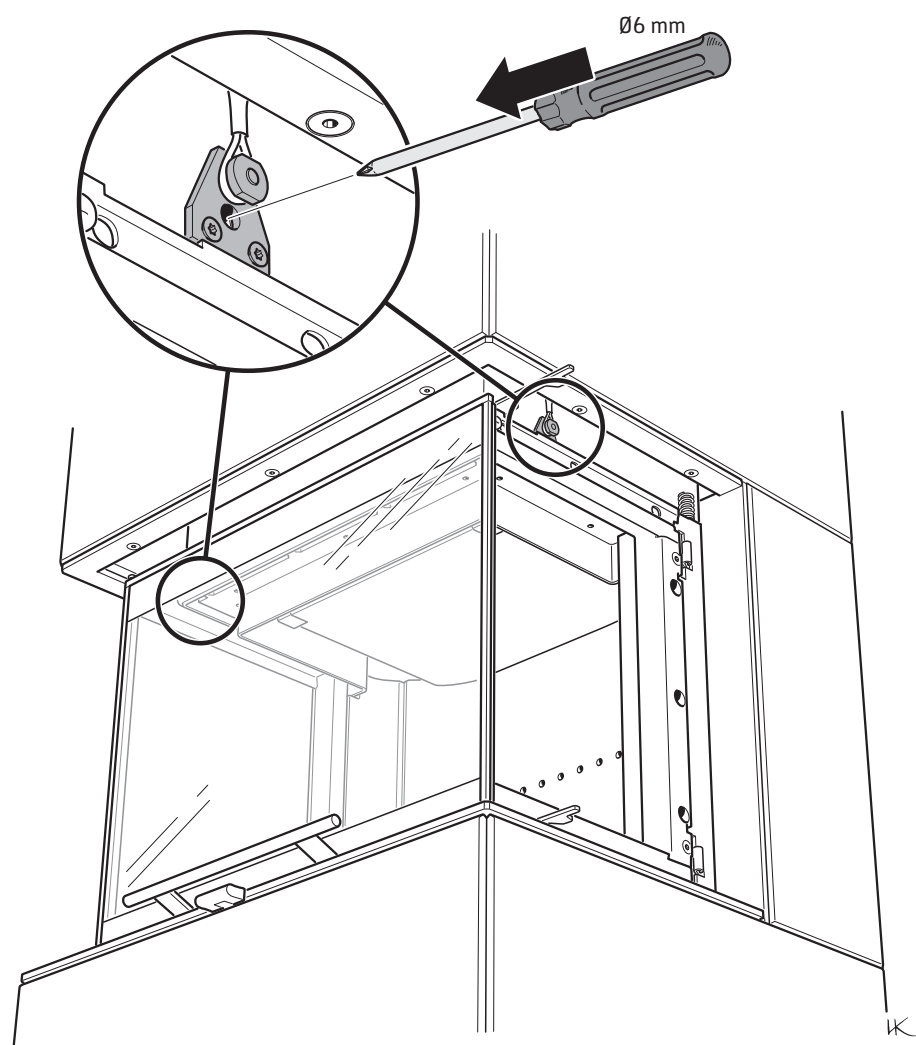
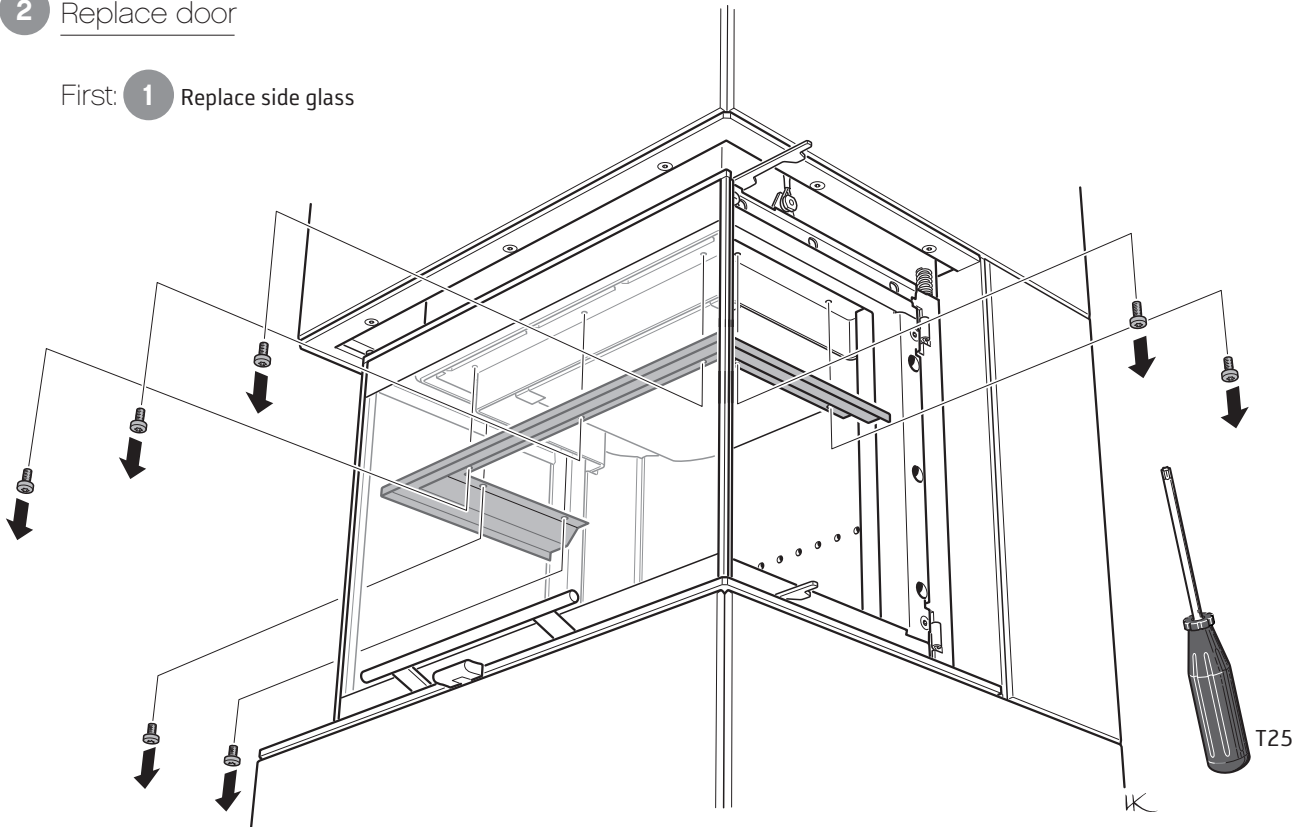
1 Replace side glass

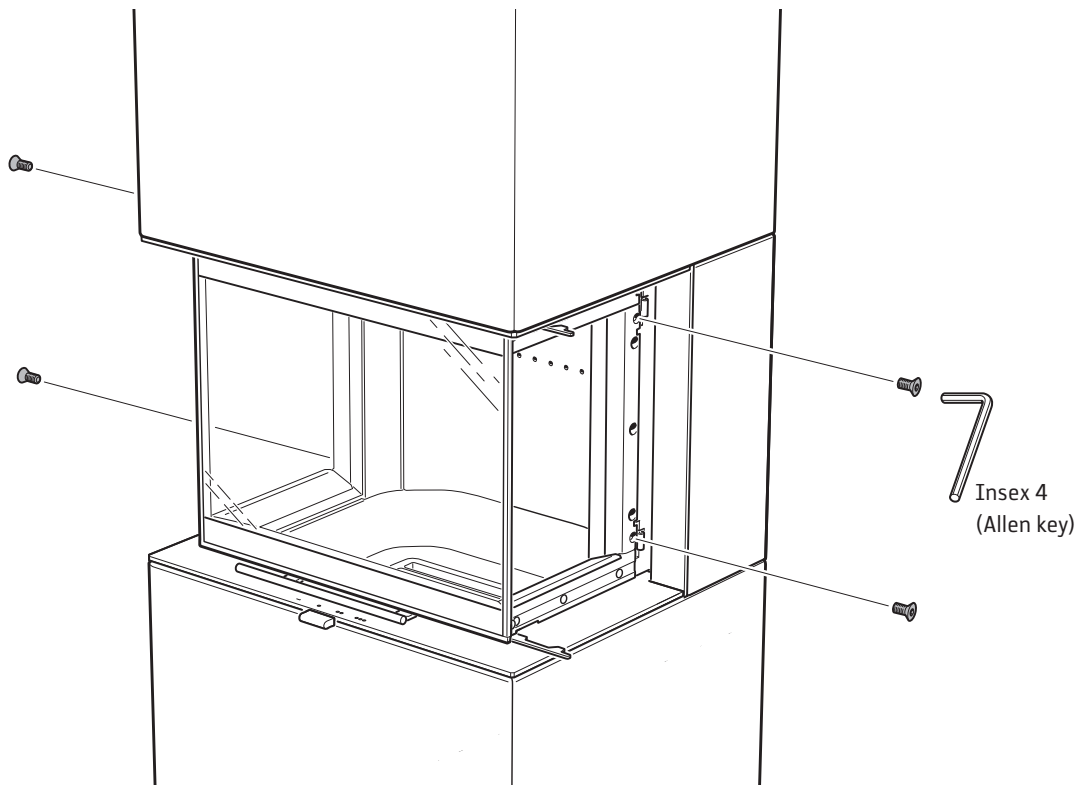
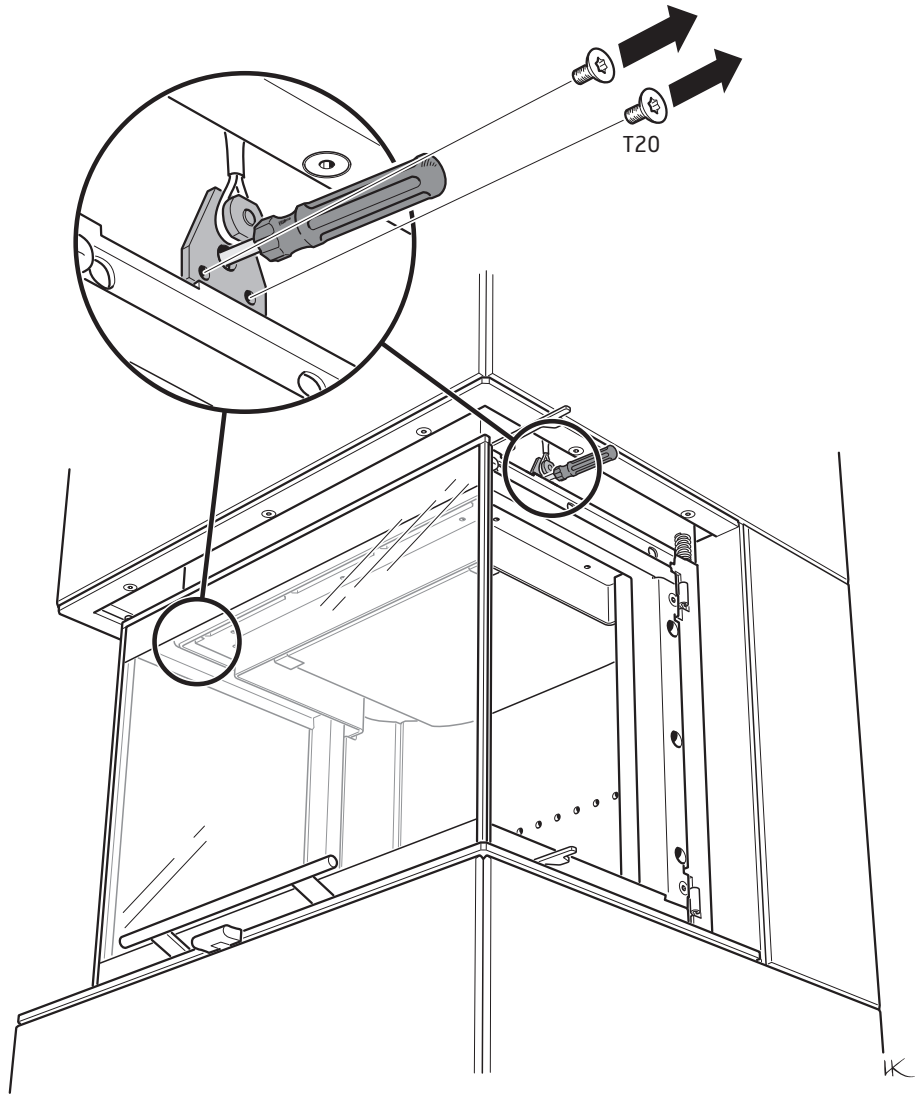


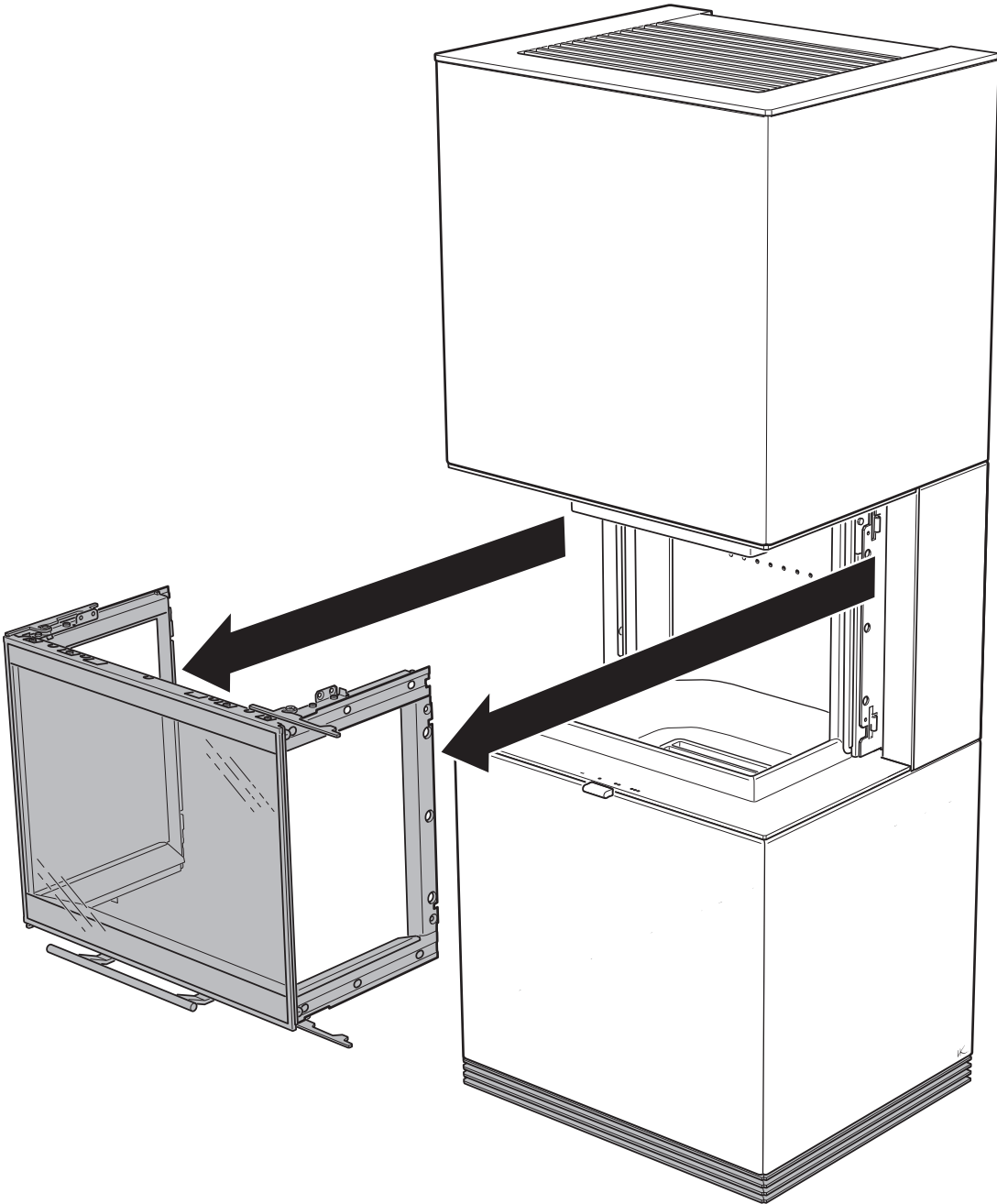


## 2 Replace door

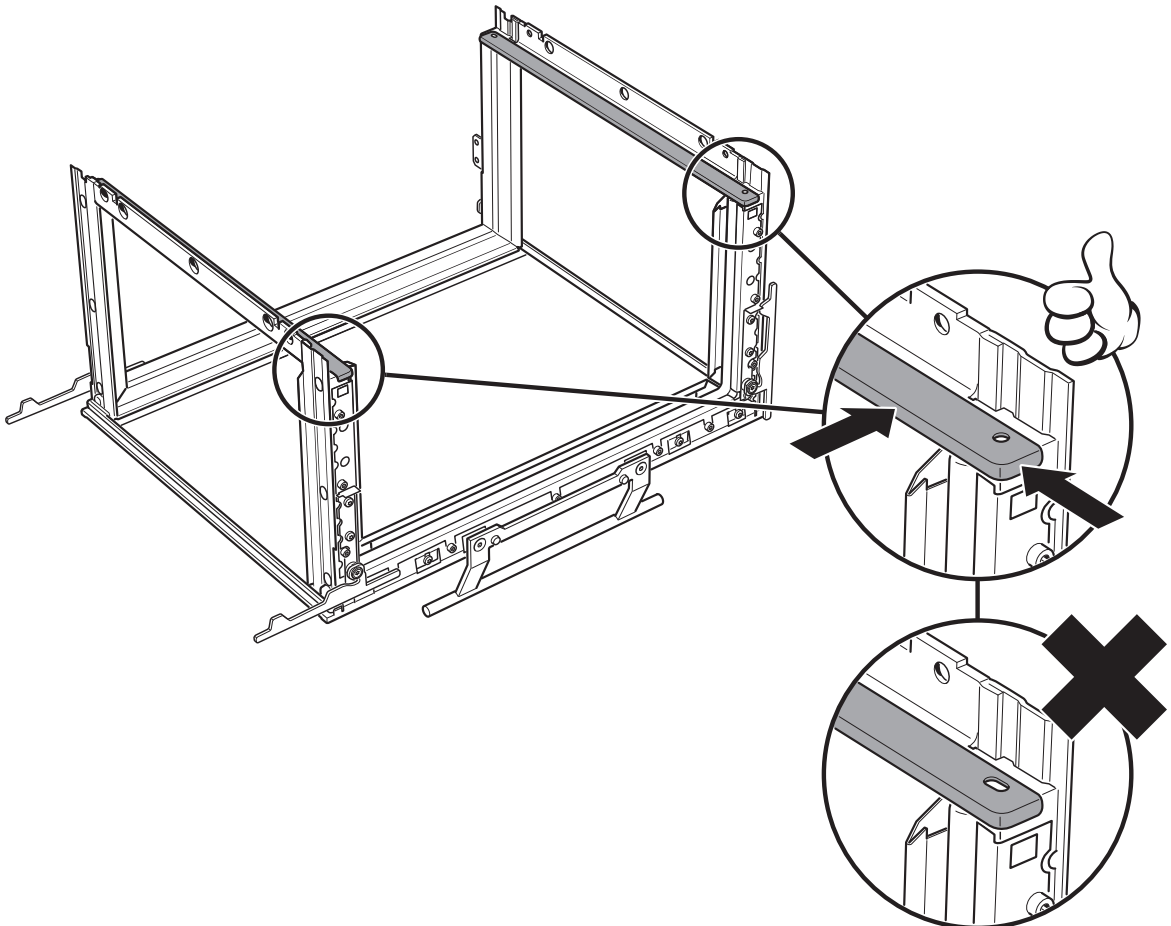
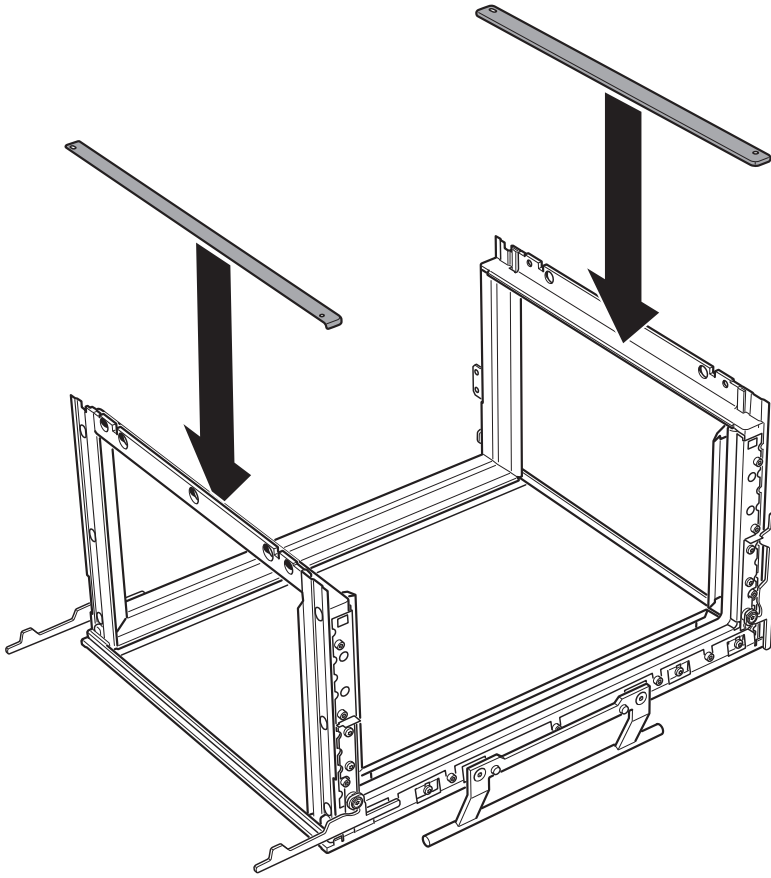
First: 1 Replace side glass



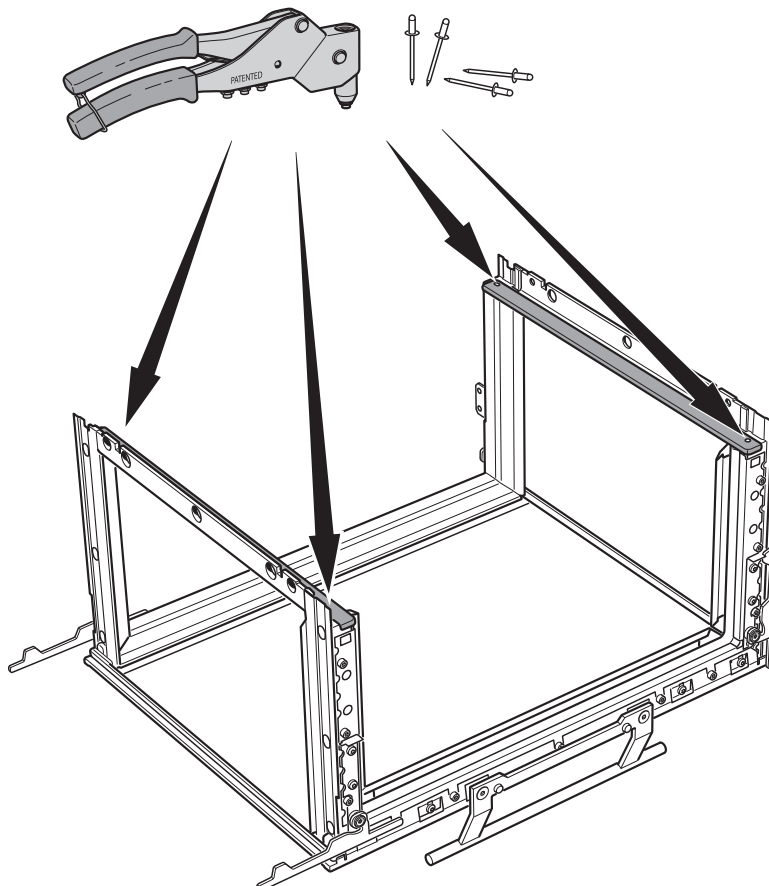
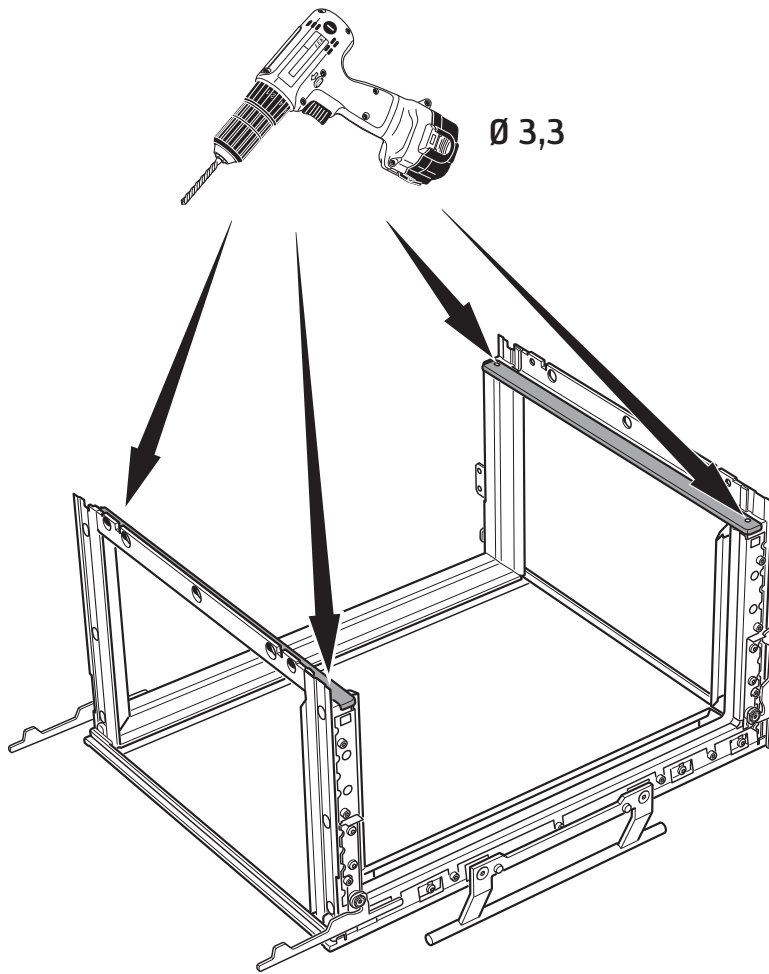




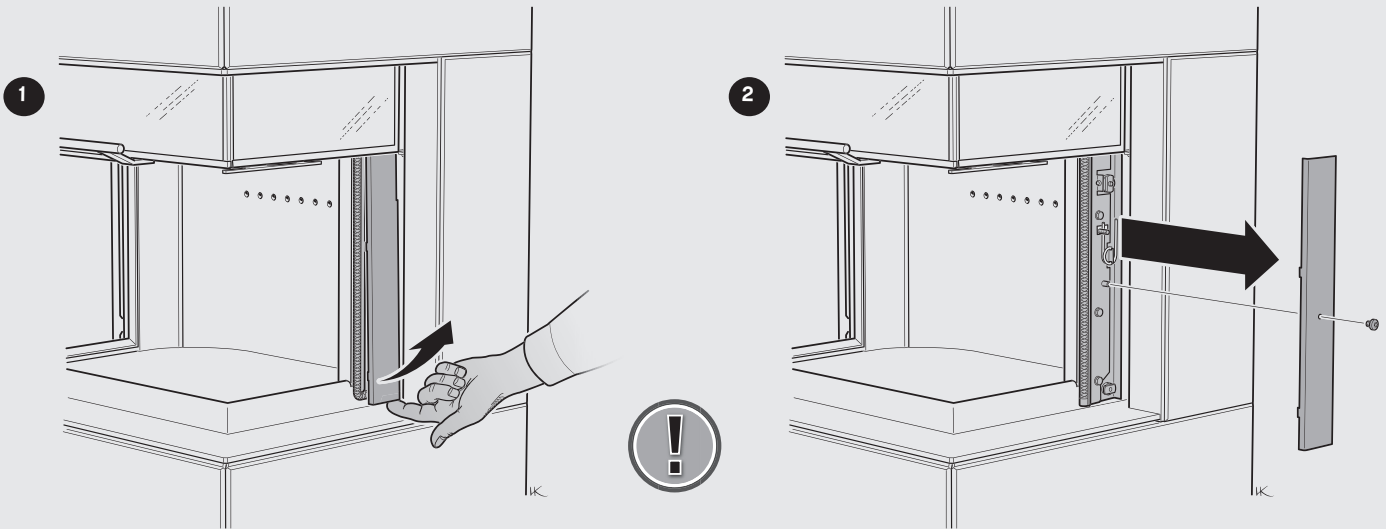
## 3 Assemble Door lining





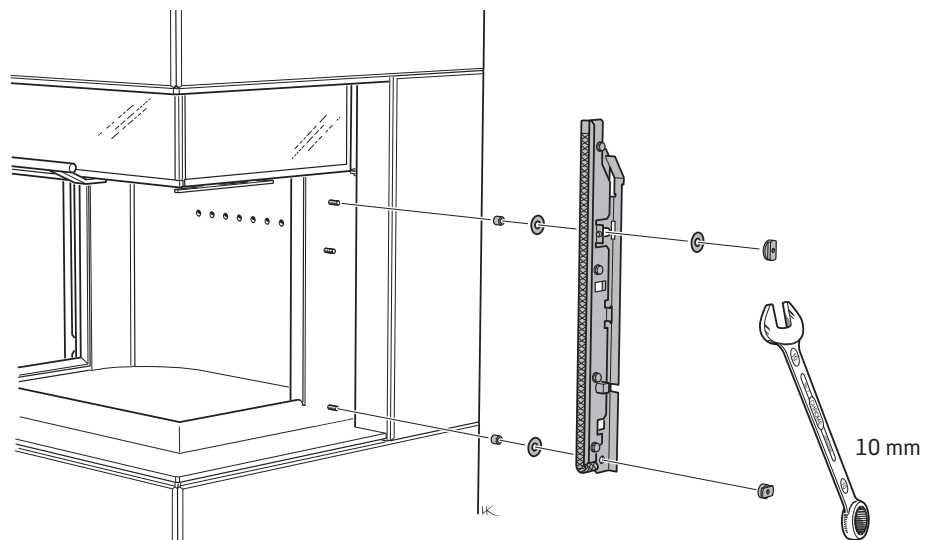
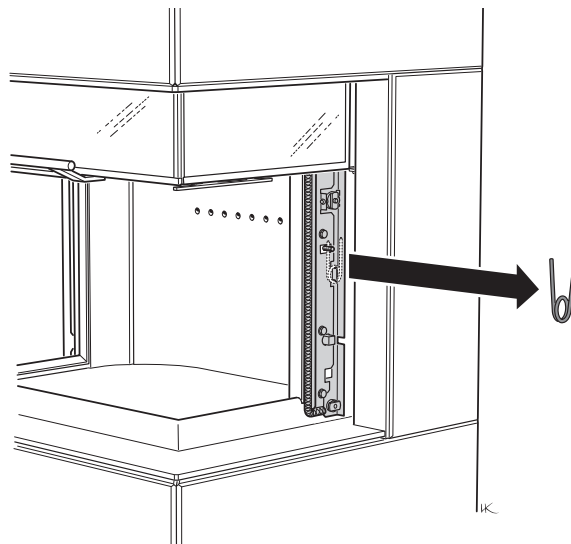


#### 4 Replace gasket back



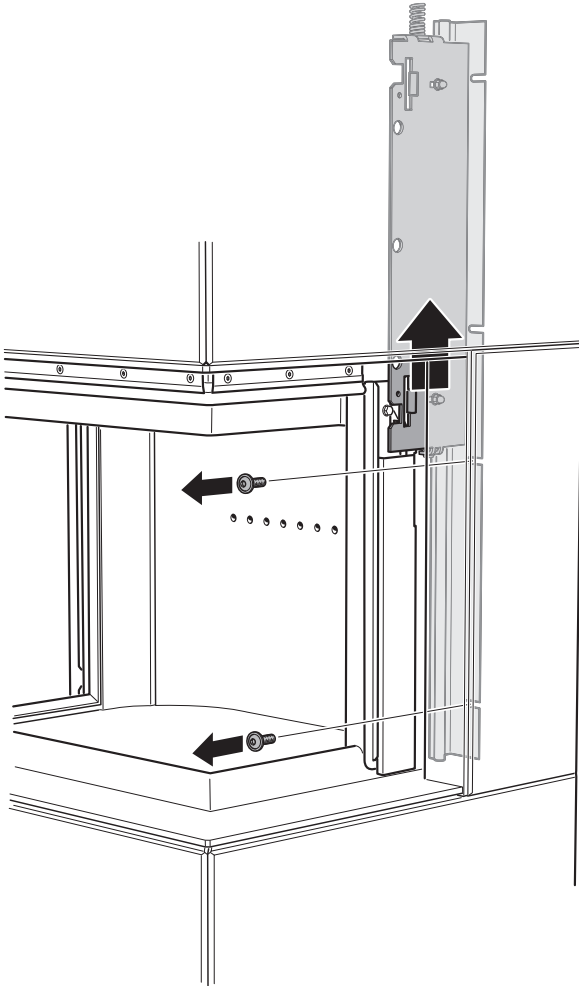
If the insert is manufactured before 2024, dismantle the plate according to picture 1


If the insert is manufactured from 2024, dismantle the plate according to picture 2

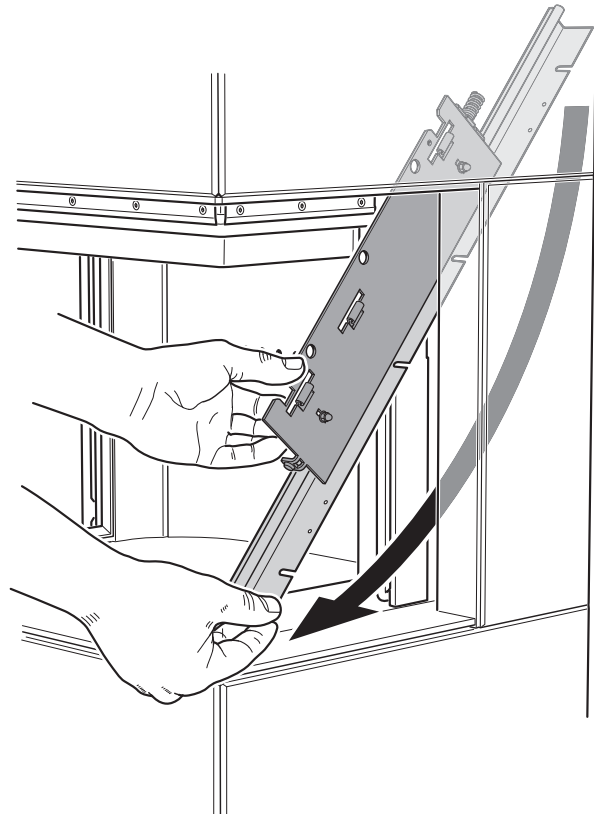


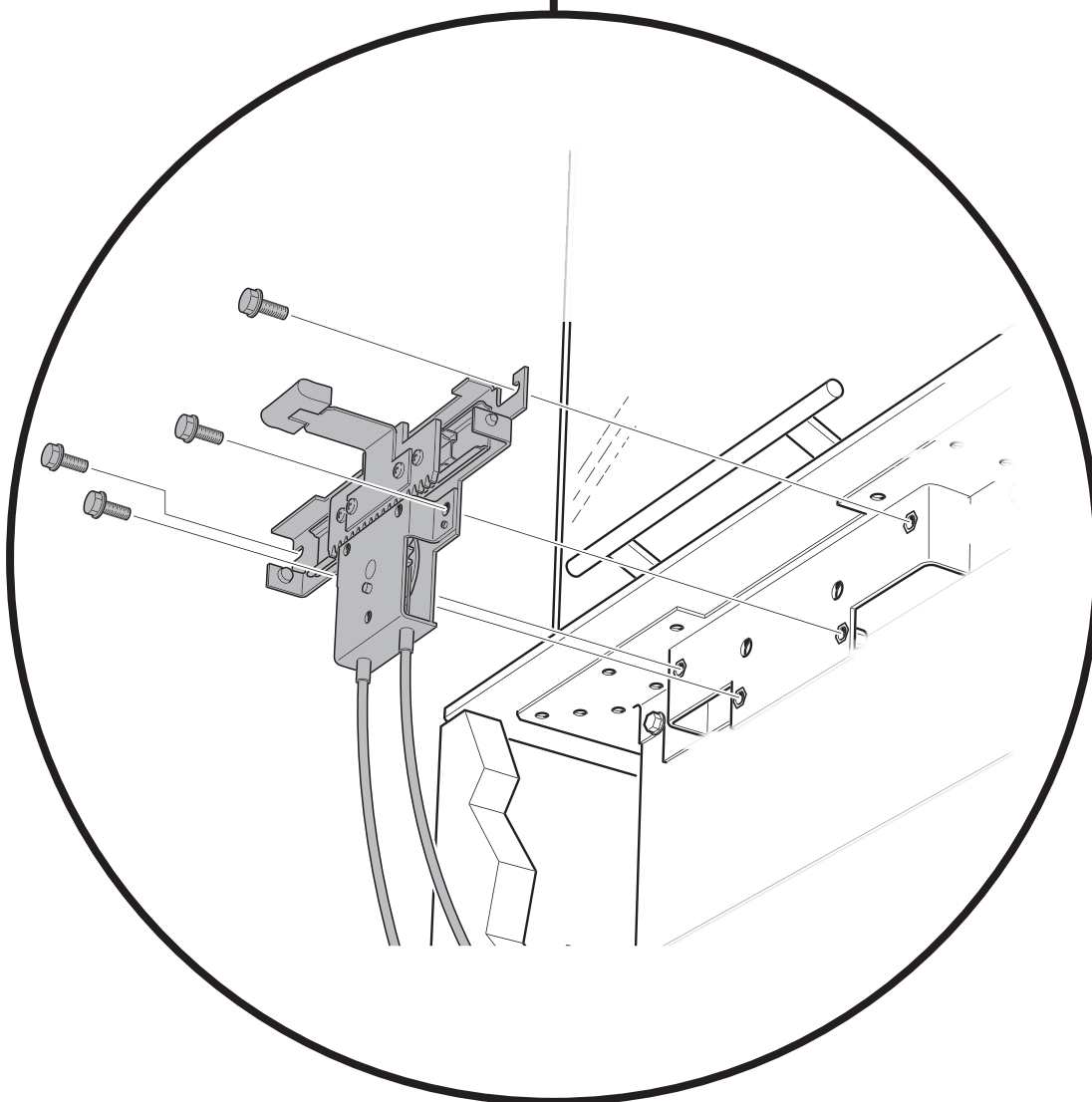
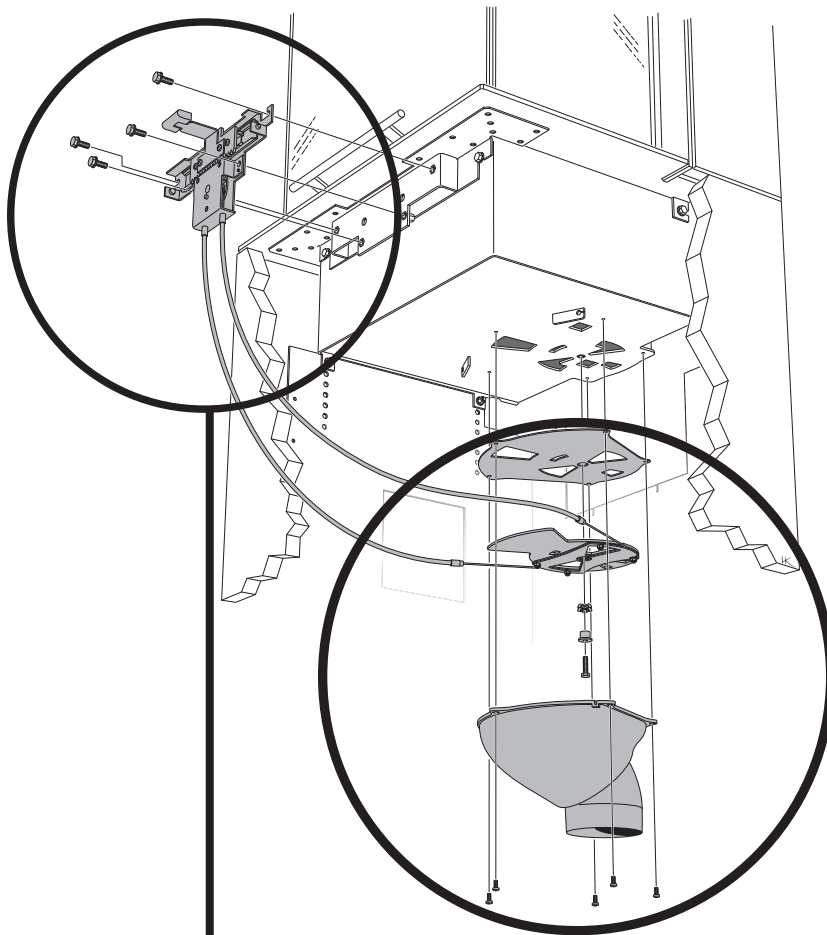
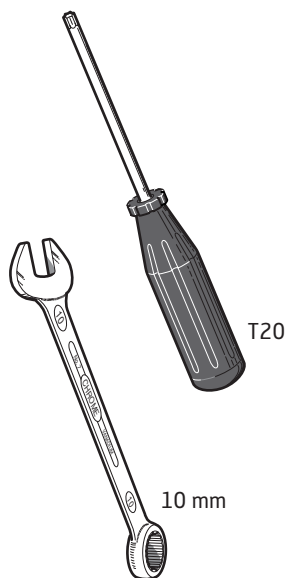
## 5 Replace Guillotine mechanism

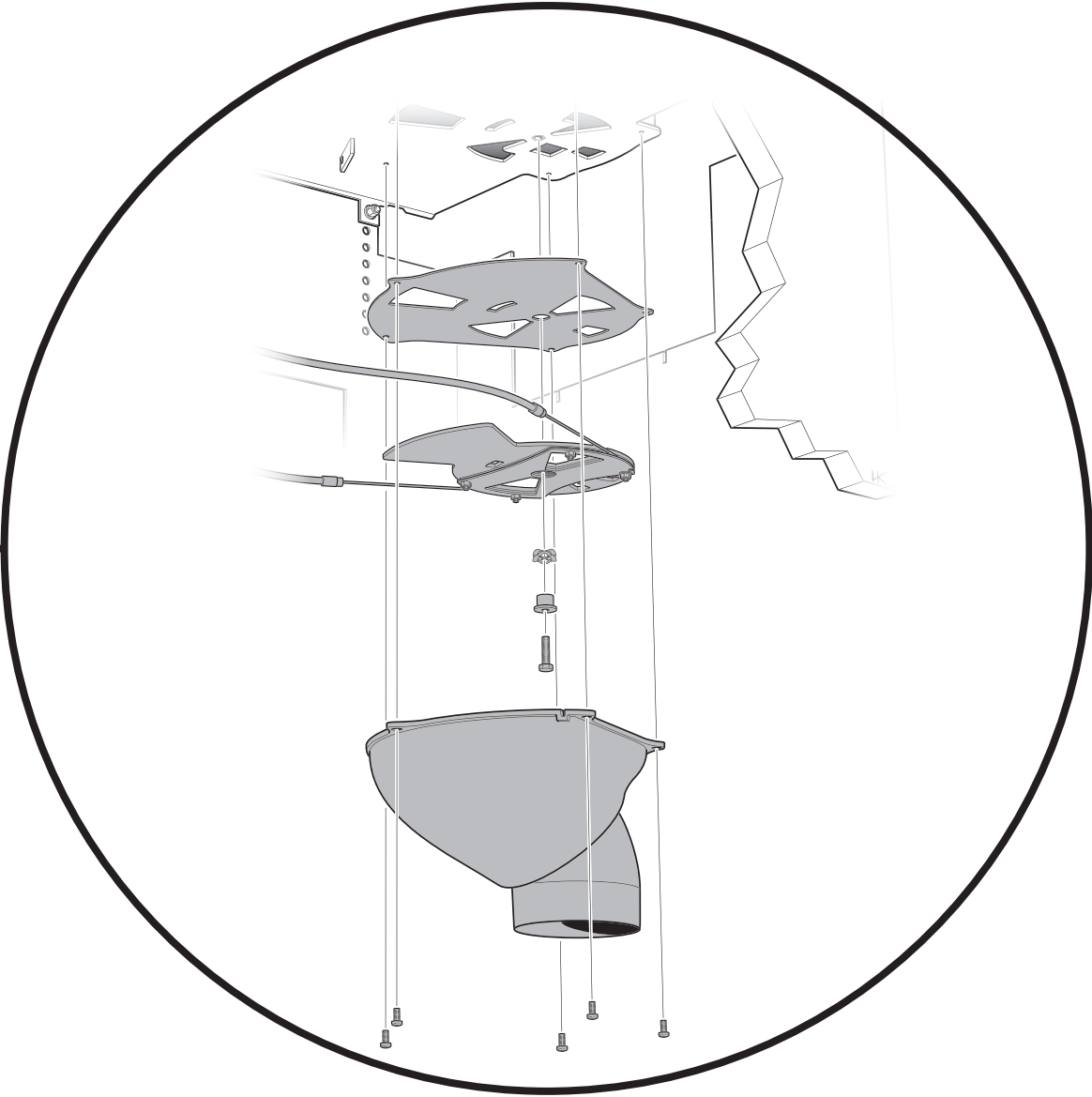
- First:
- 1 Replace side glass
  - 2 Replace door
  - 4 Replace gasket back

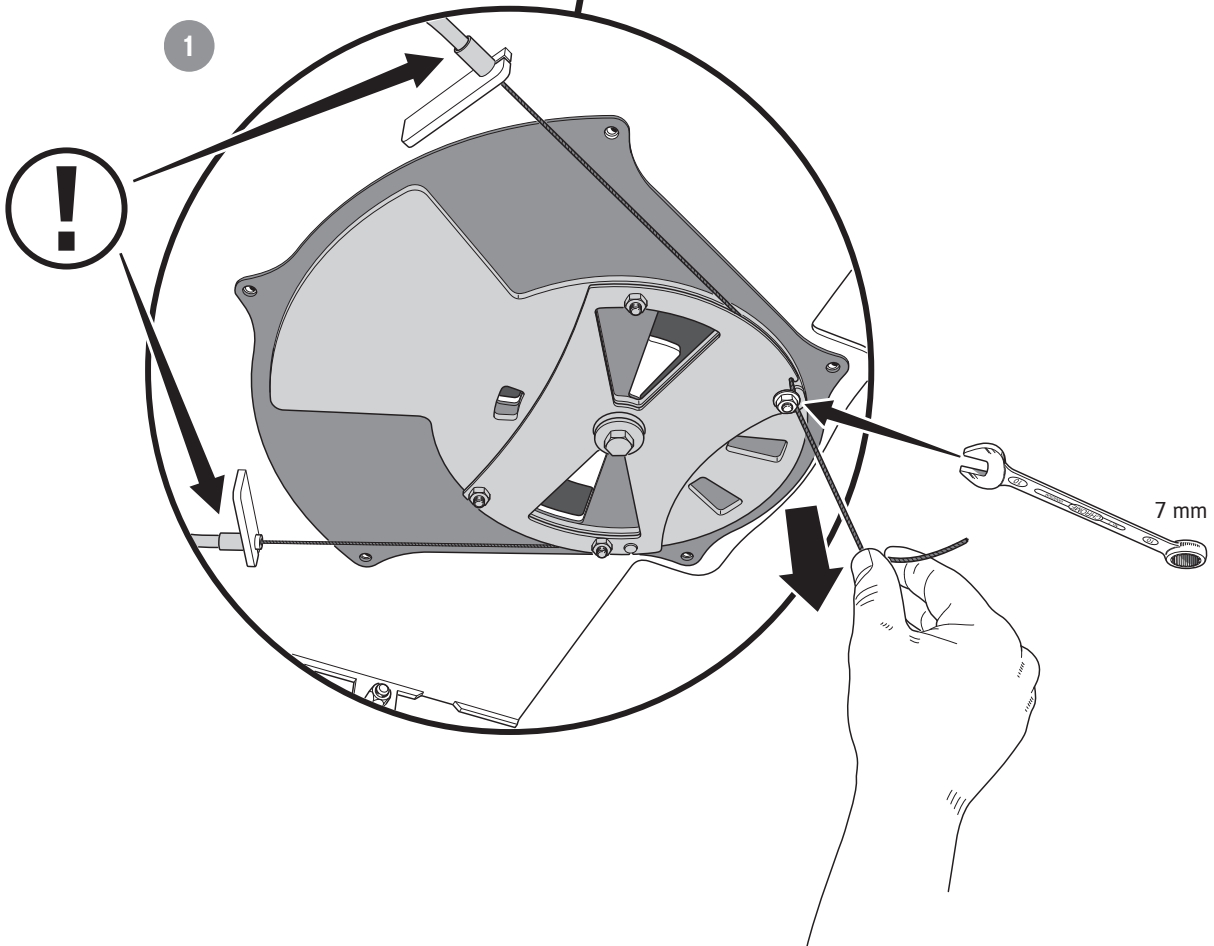
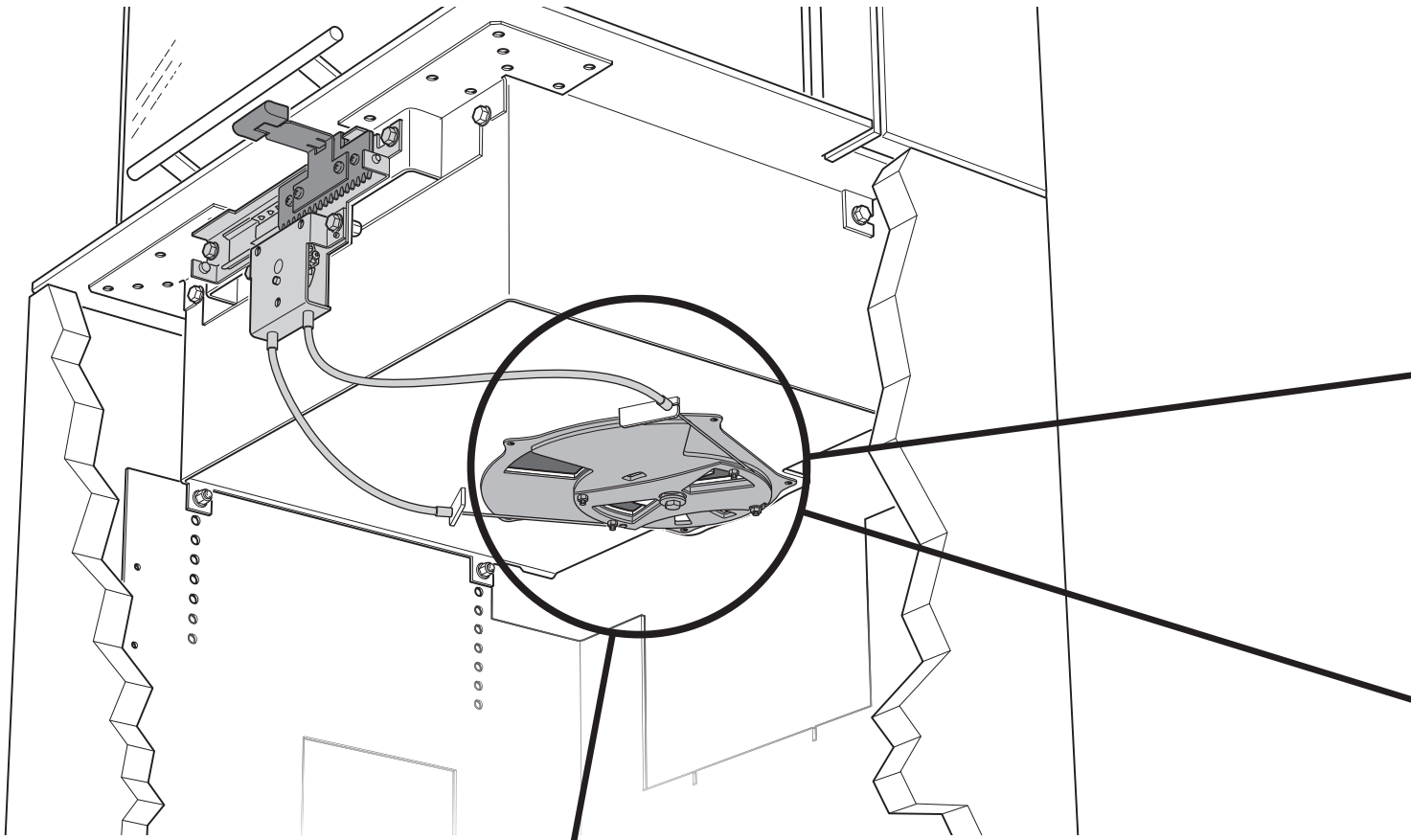


  
Insex 4  
(Allen key)

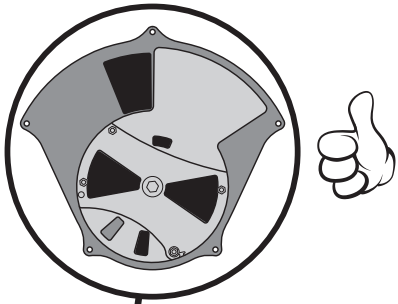
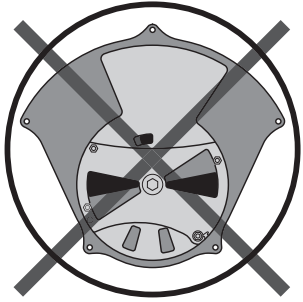
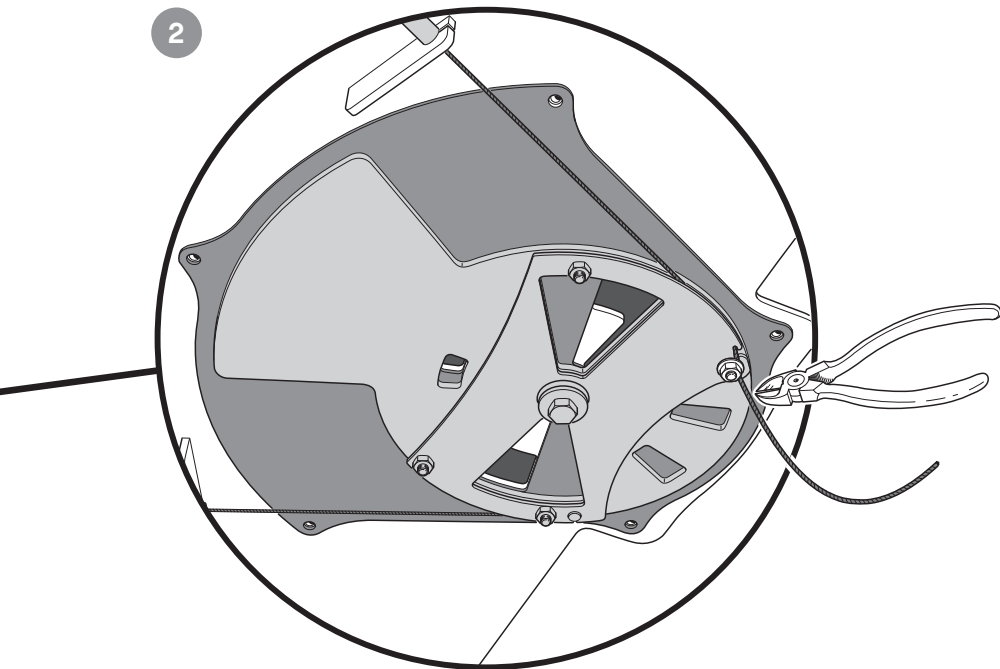


**6** Replace damper

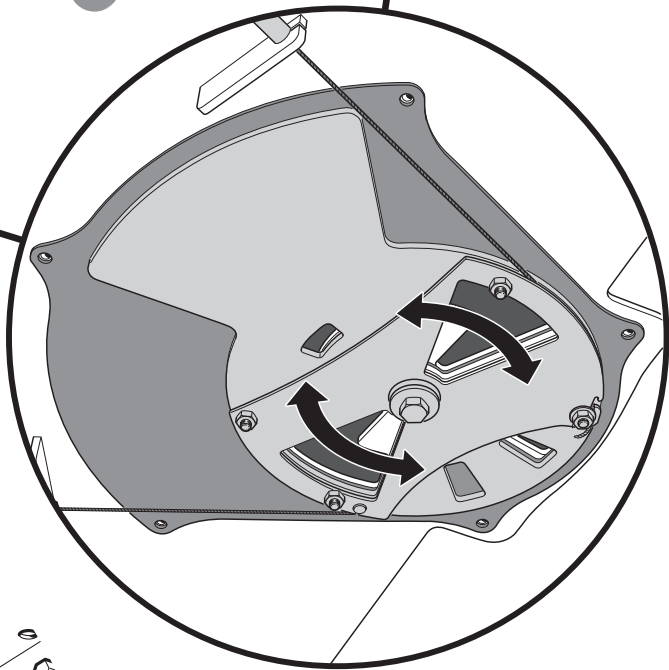




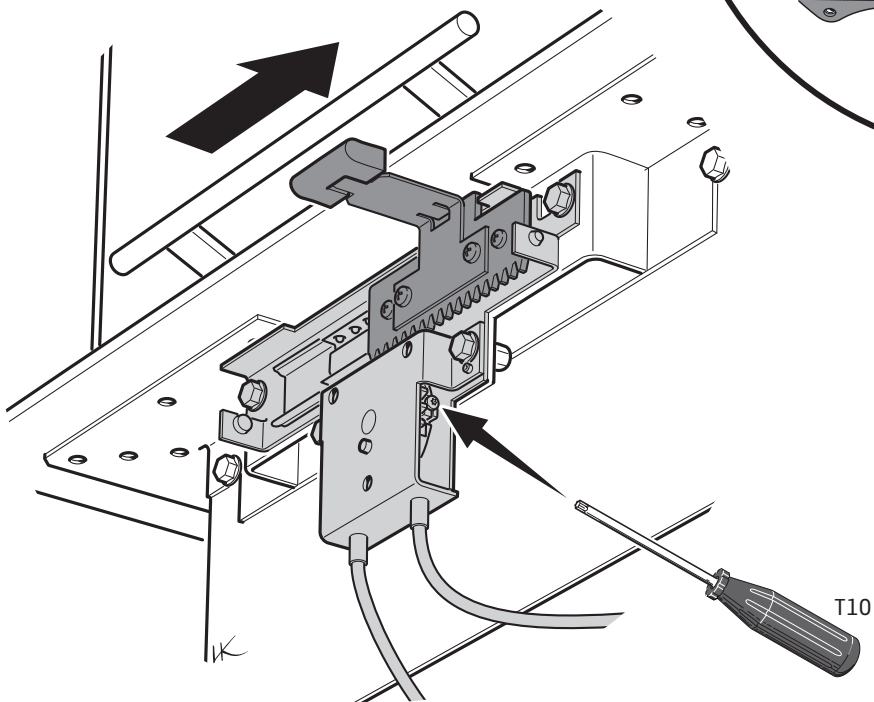
2



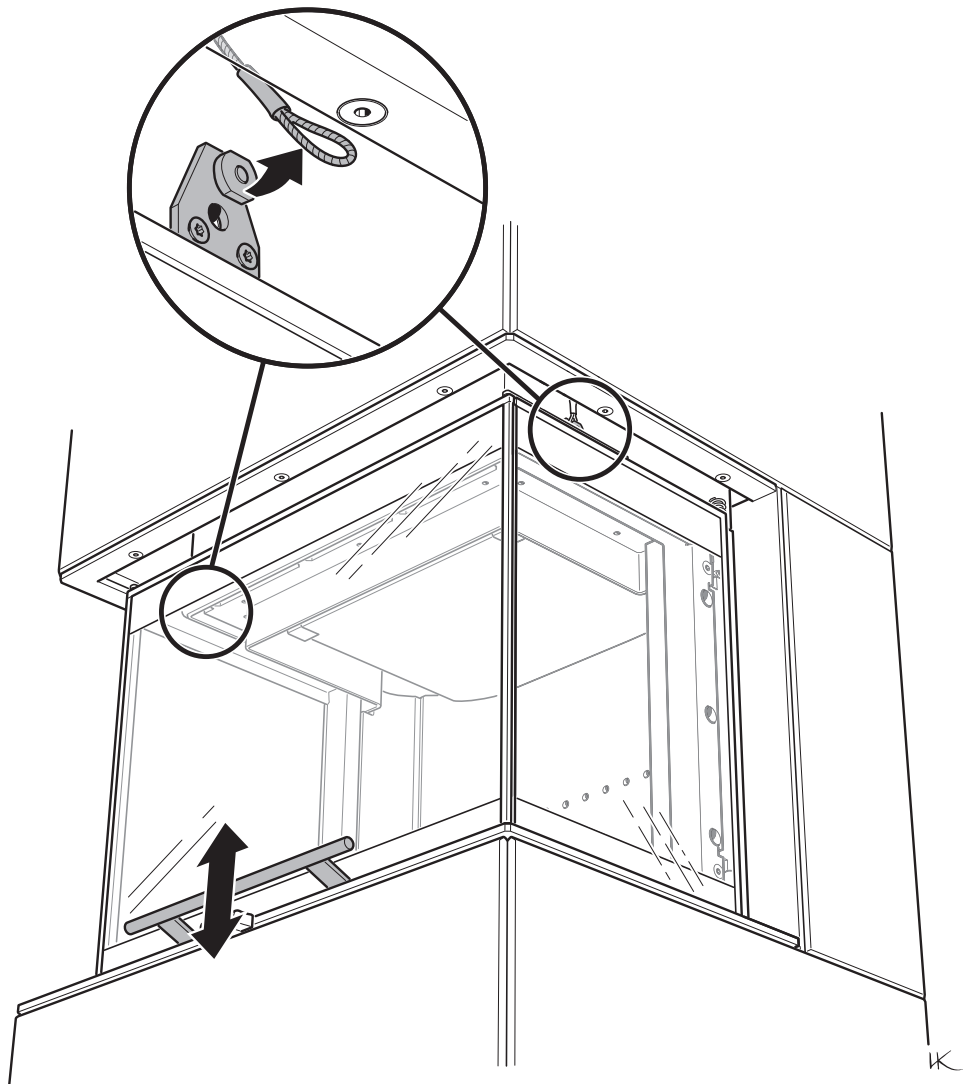
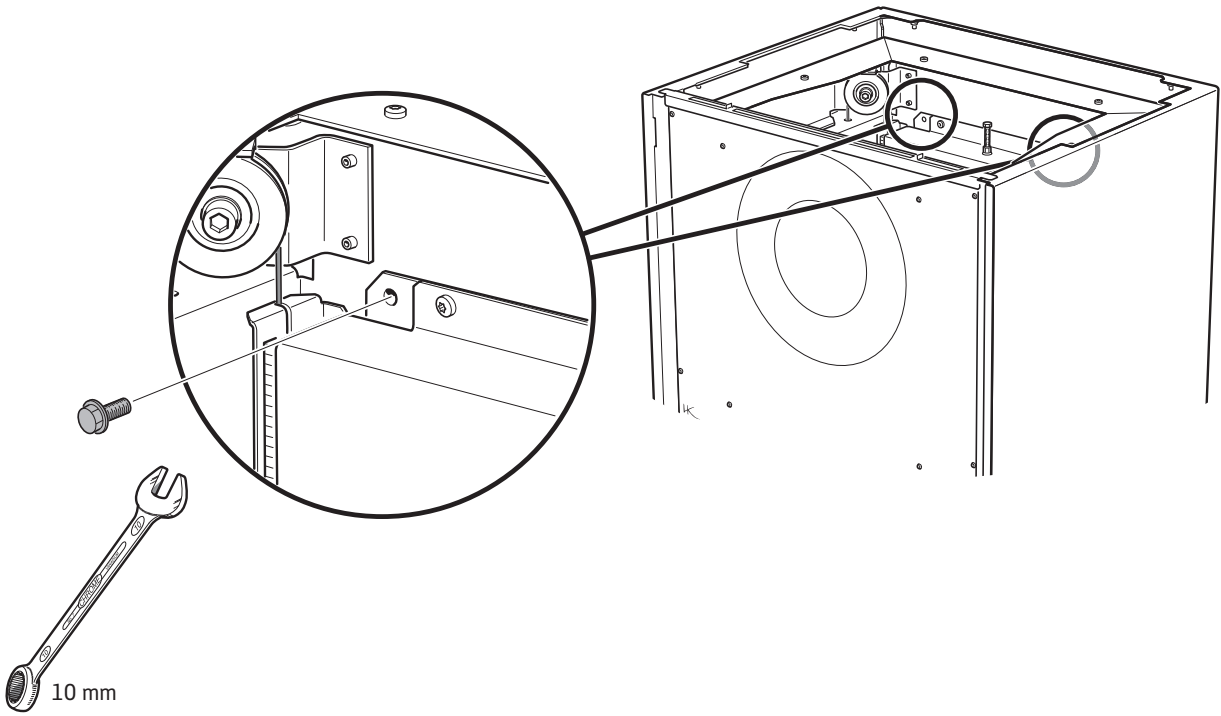
3



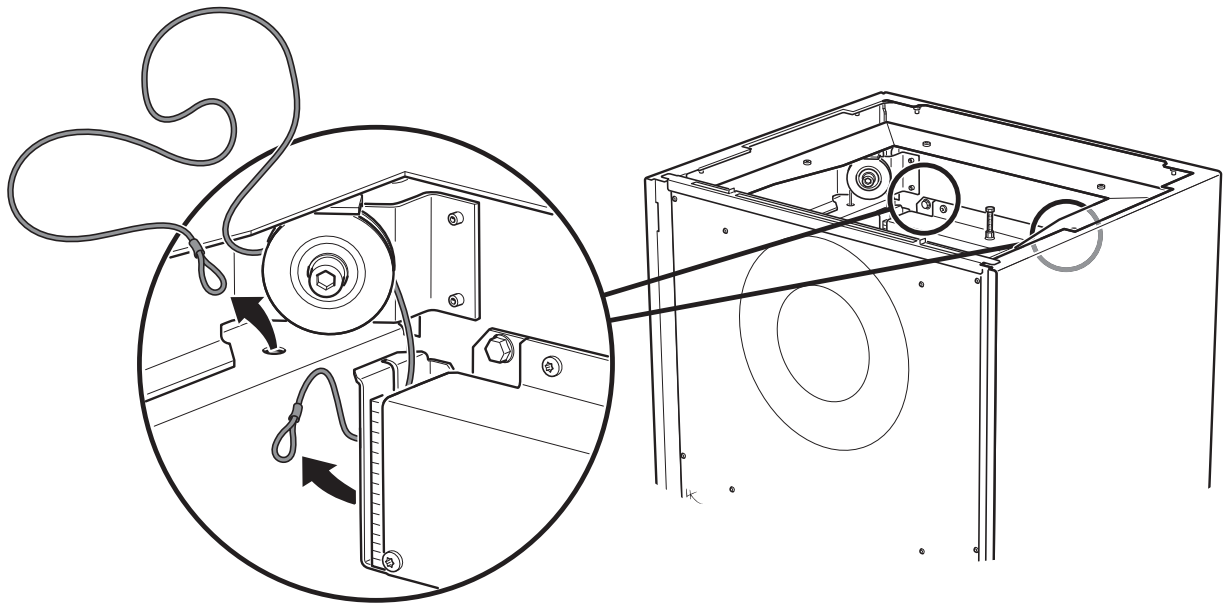
4



IK

7 Replace wire









# *Contura*

NIBE AB · Box 134 · SE-285 23 Markaryd · Sweden  
[contura.eu](http://contura.eu)

Contura reserves the right to change dimensions and procedures described in these instructions at any time without special notice. The current edition can be downloaded from [www.contura.eu](http://www.contura.eu)