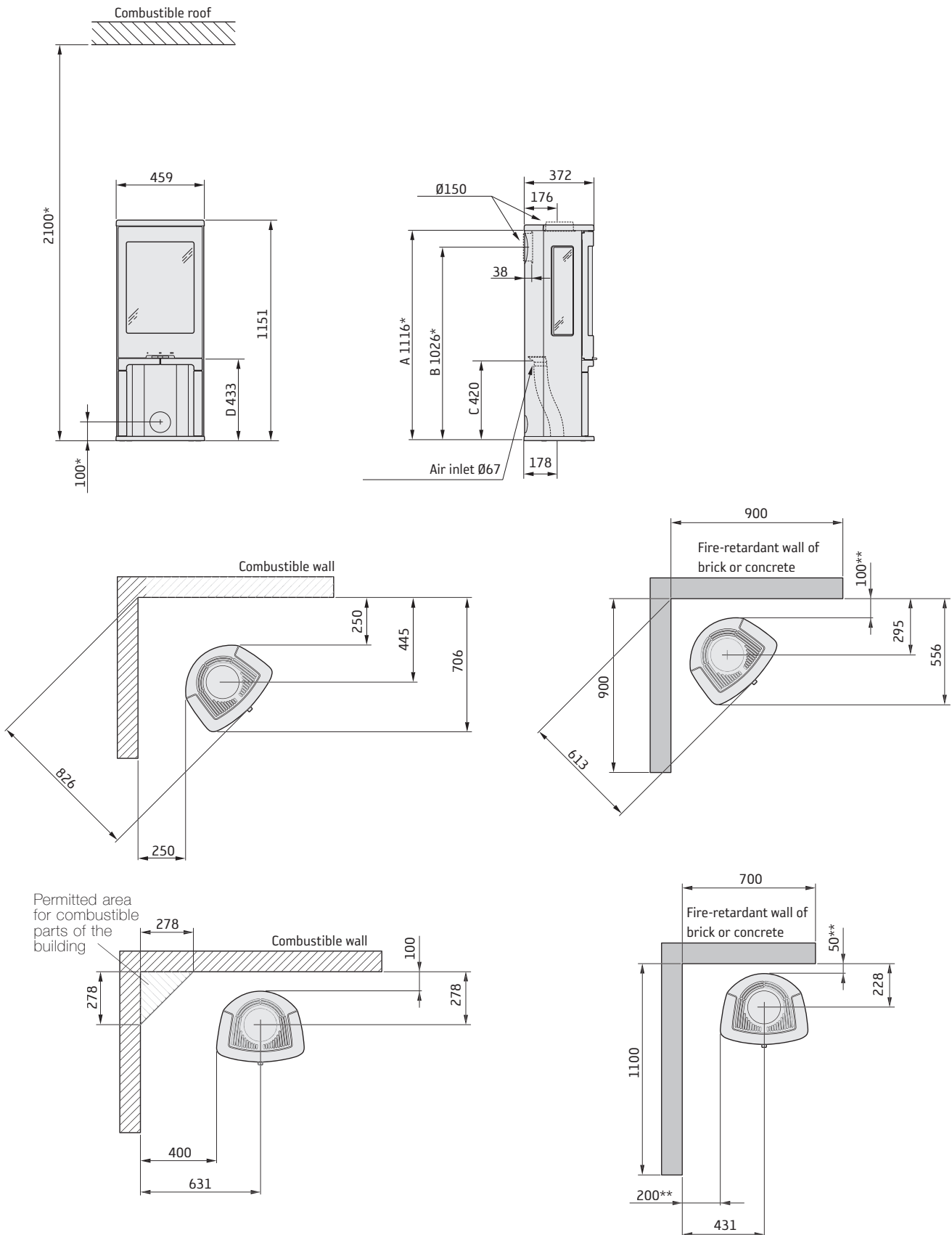


# 750, 750A

- A = height from floor to chimney connection upwards
- B = height from floor to c/c chimney connection rear
- C = height from floor to air inlet
- D = height from floor to lower edge of hatch



\* If the stove is placed on a hearth plate made of glass for example (accessory), the height from the floor is affected by a distance corresponding to the thickness of the hearth plate. Also applies to separate glass hearth plates (accessory).

\*\* We recommended the same side distance as to combustible walls to prevent discolouration of painted non-flammable walls.