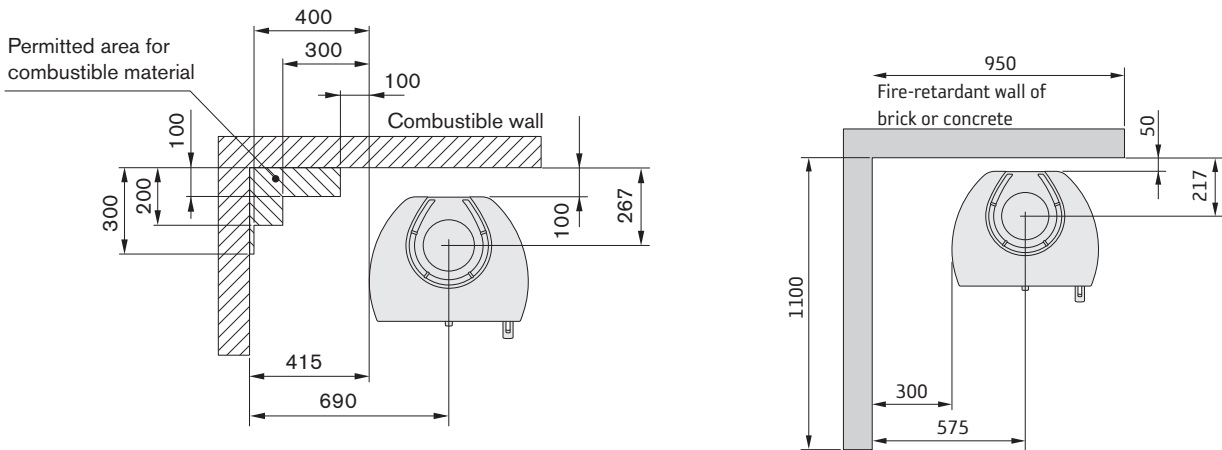
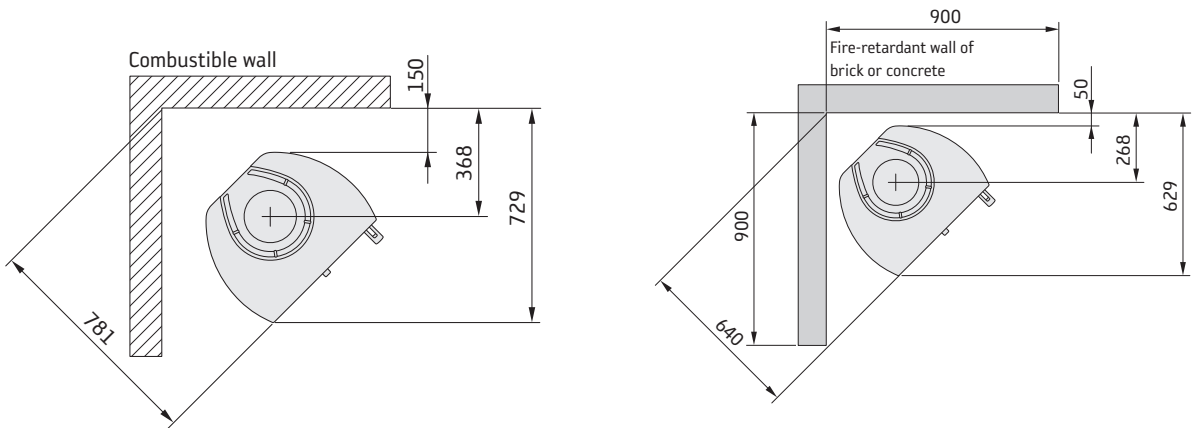
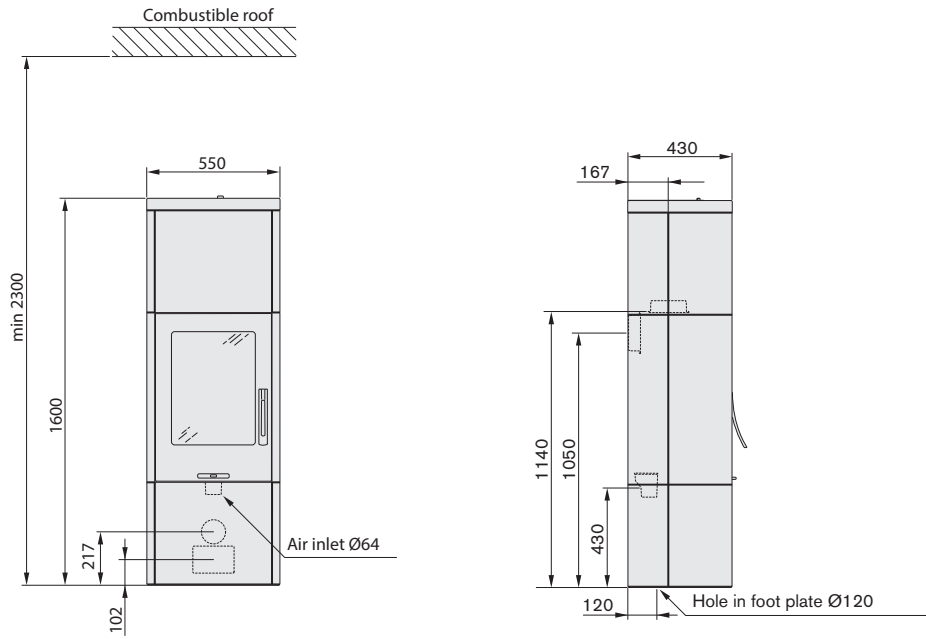
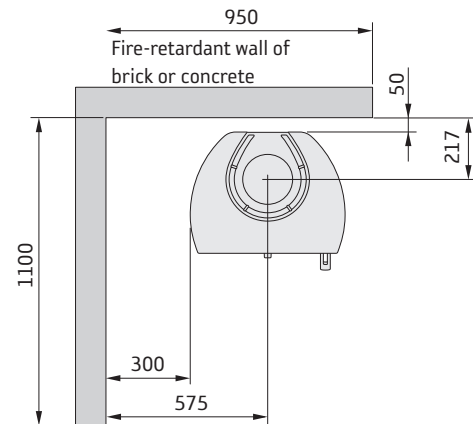
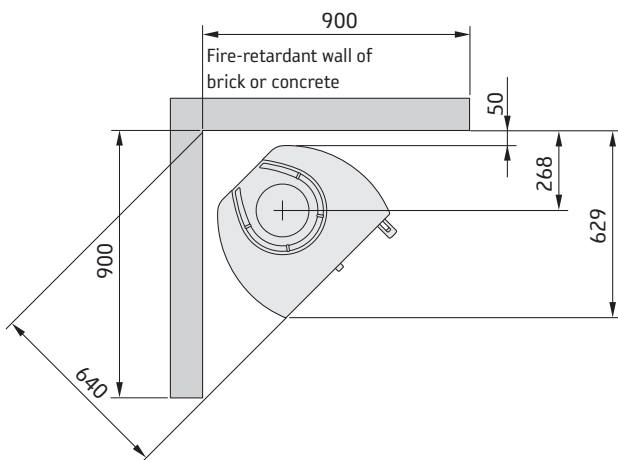
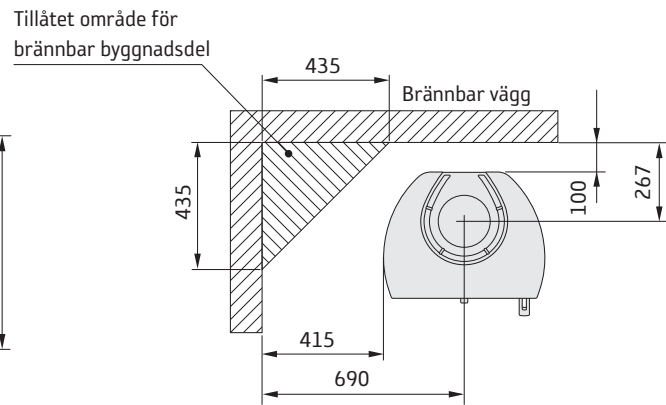
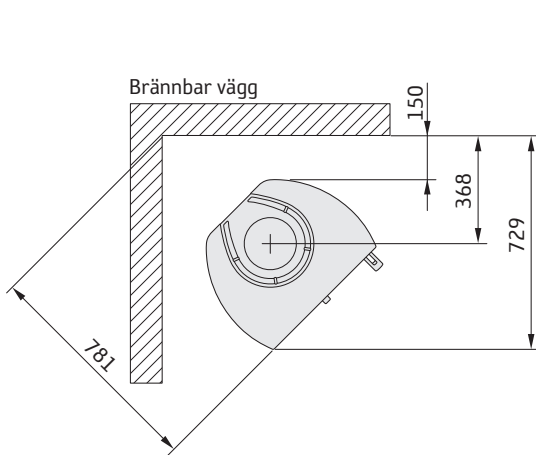
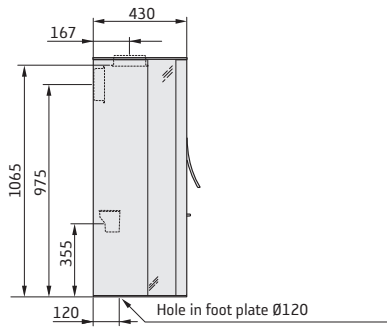
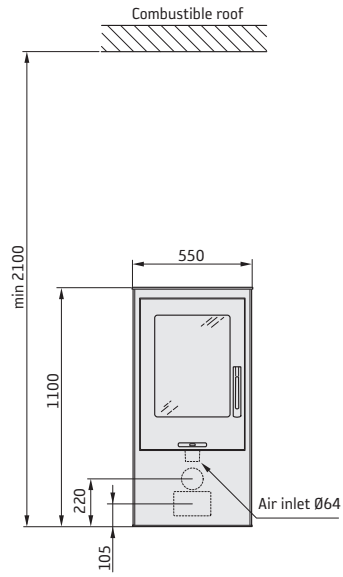


# 34T



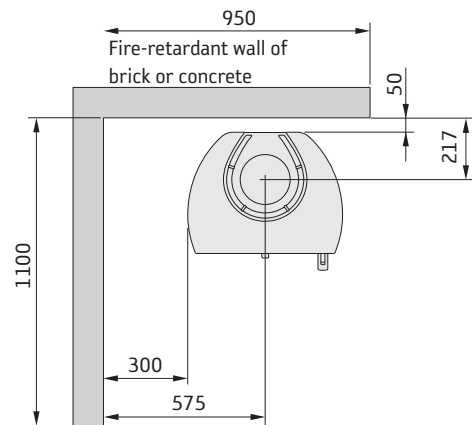
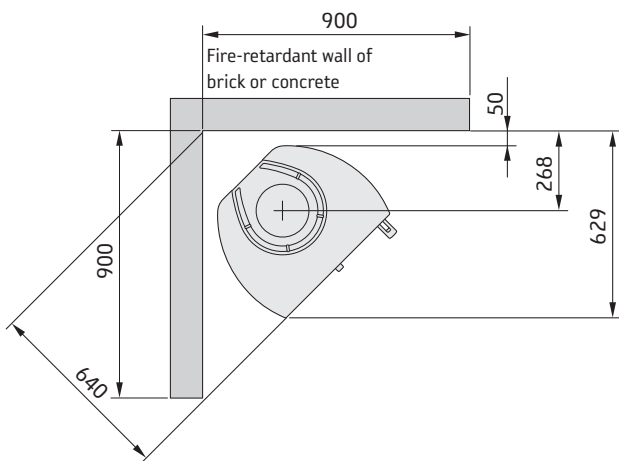
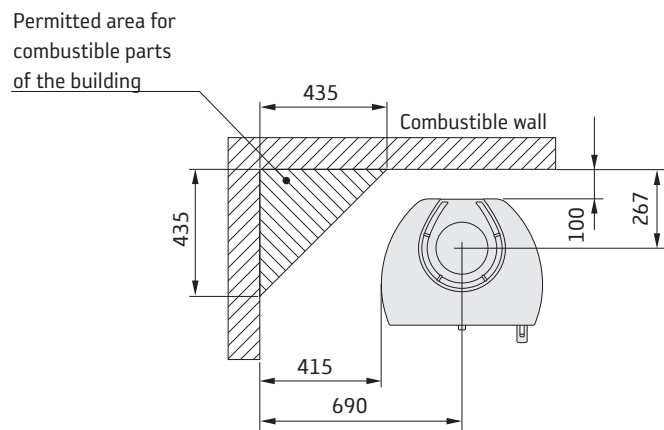
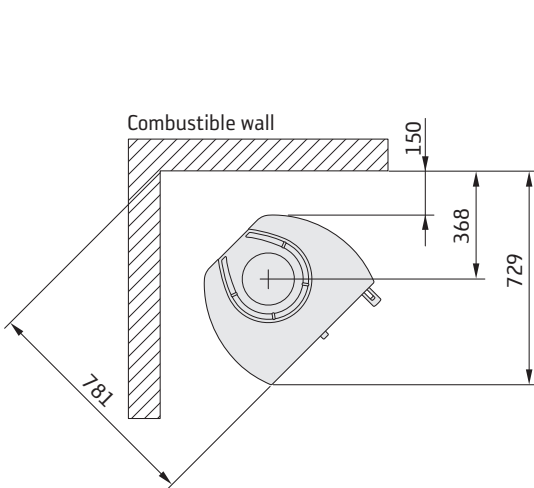
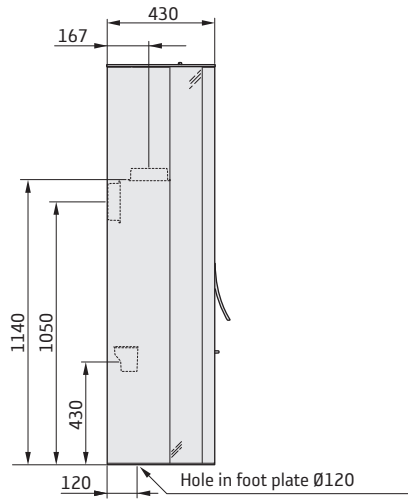
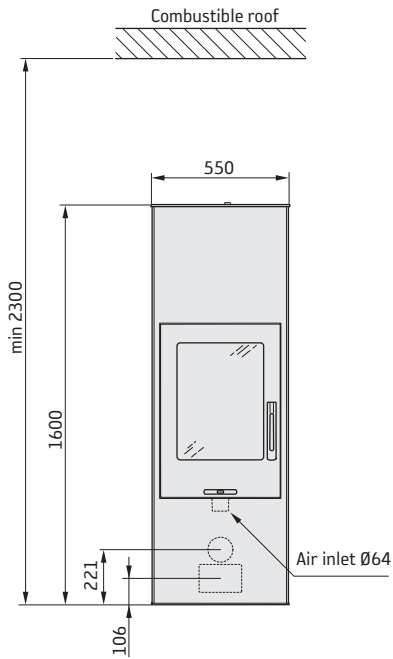
\*To prevent discolouration of painted fire walls, we recommend the same side distance as to combustible walls.

# 35/35T low



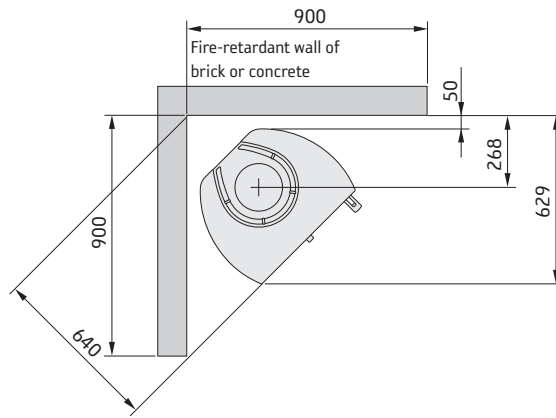
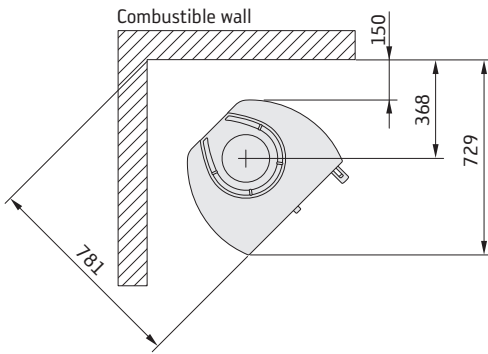
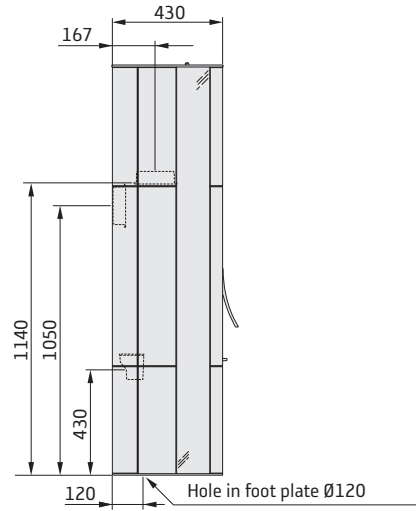
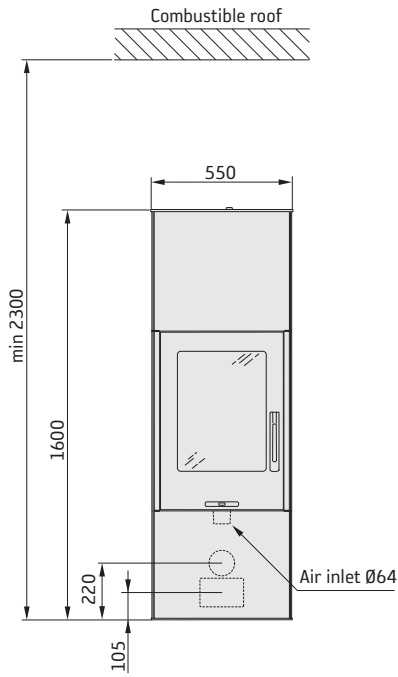
\*To prevent discolouration of painted fire walls, we recommend the same side distance as to combustible walls.

# 35 high

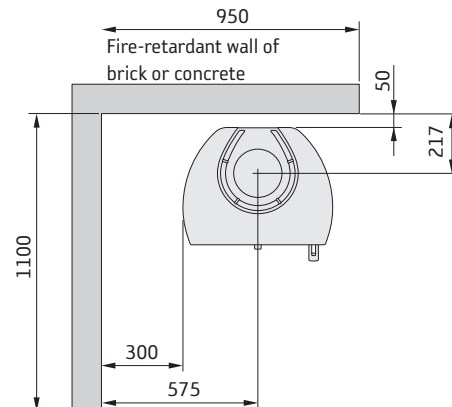
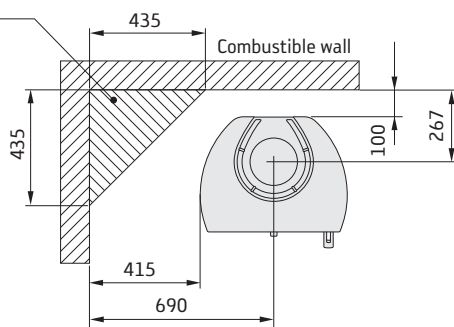


\*To prevent discolouration of painted fire walls, we recommend the same side distance as to combustibile walls.

# 35T high



Permitted area for combustable parts of the building



\*To prevent discolouration of painted fire walls, we recommend the same side distance as to combustable walls.