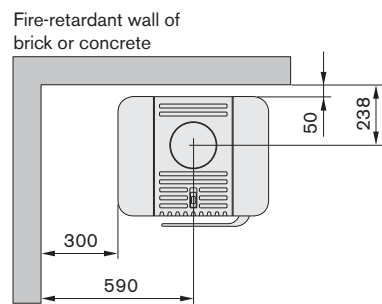
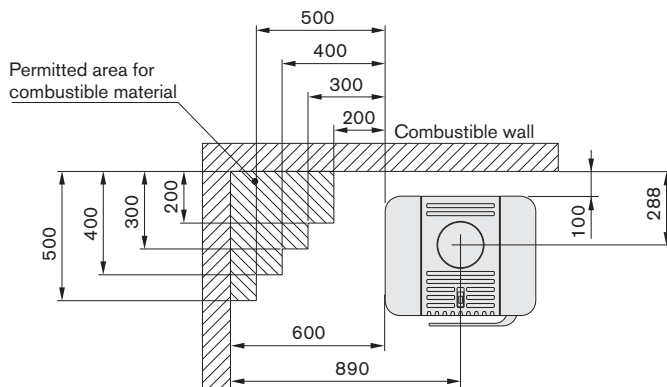
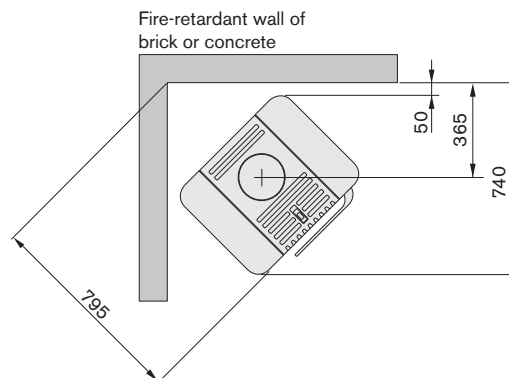
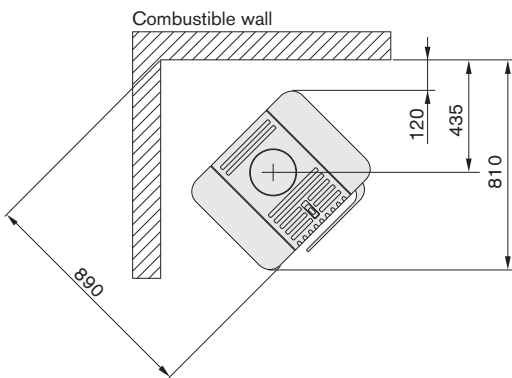
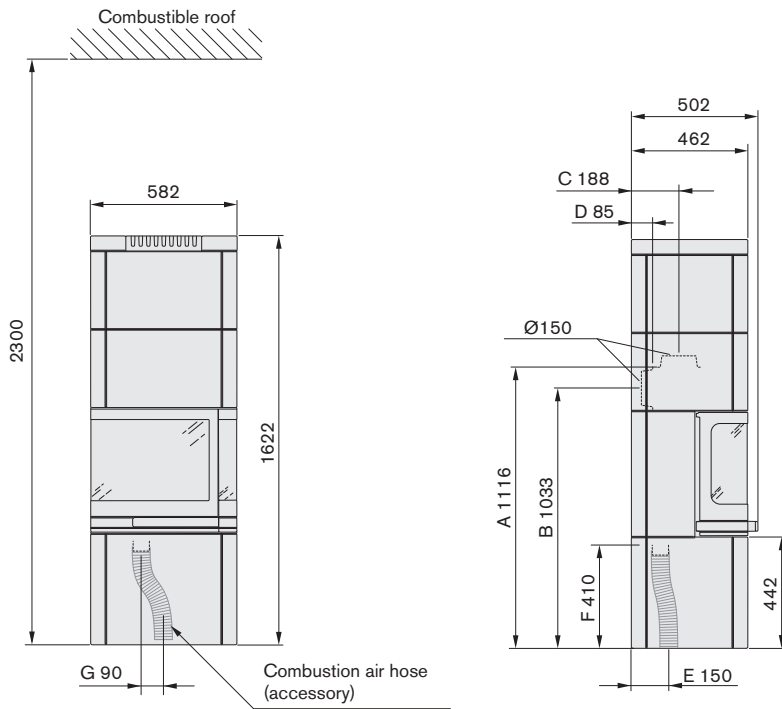


26K high, 26T high

- A = height from floor to chimney connection upwards
- B = height from floor to c/c chimney connection rear
- C = distance from back to c/c chimney connection upwards
- D = distance from back to chimney connection rear
- E = distance from back to hole in guide plate
- F = height from floor to air inlet connector (410 mm)
- G = distance to hole in guide plate



*To prevent discolouration of painted fire walls, we recommend the same side distance as to combustable walls.

