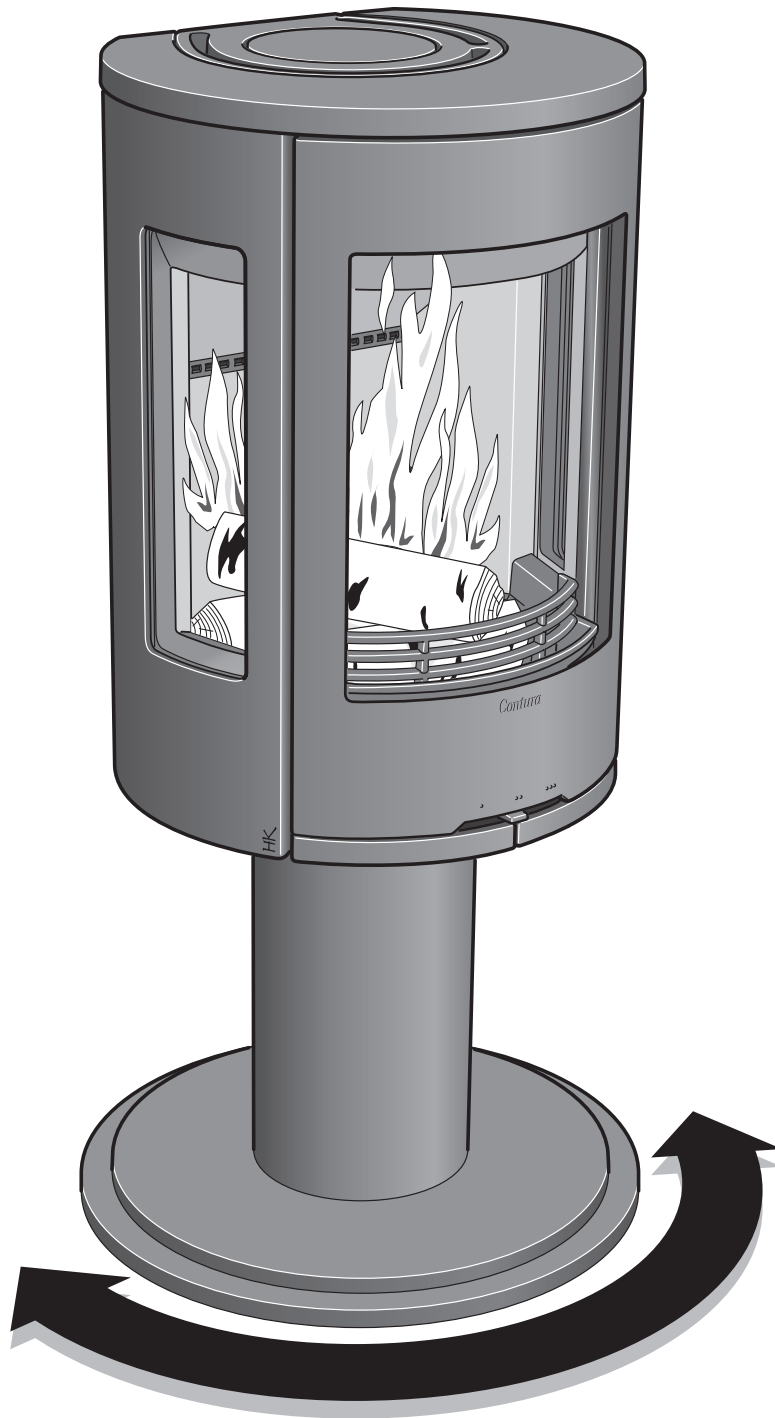


# Installation instruction



Turntable  
C500/C600

*Contura*



## General

These instructions explain how to install a stove on a turntable base. Read these installation instructions carefully before installation. The turntable enables you to rotate the stove to the desired viewing position. Depending on the installation alternative chosen, the stove may be adjusted to any position within a 90° or 180° wide angle. If the stove is placed free-standing in the centre of a room away from a combustible wall, it is also possible to rotate the stove through a full 360°. The axis of rotation is a notional line that rises from the centre of rotation of the turntable itself, up through the body of the stove and through the centre of the sleeve that connects the top of the stove to the flue above.

For direct supply of combustion air from outdoors through the turntable a separate outdoor air connection is required (accessory). Connection is carried out in conjunction with the installation of the turntable according to the instructions provided with the outdoor air connection.

The turntable is suitable for the following models:

Contura 510, 520T, 550, 550A, 556, 586, 560K, 560T, 570, 580, 585, 590, 590T.

Contura 620T, 630, 630T, 635, 650, 655, 660K, 660T.



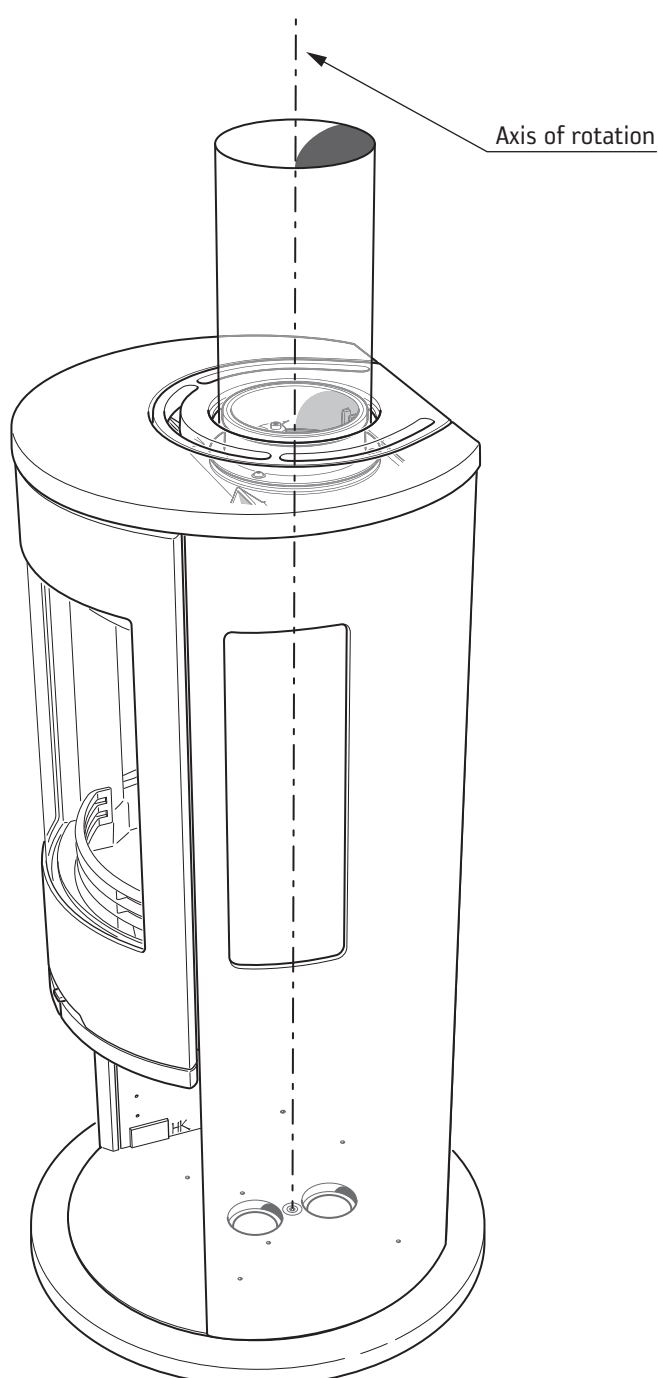
The owner of the house is personally responsible for ensuring compliance with the mandatory safety requirements and must have the installation approved by a qualified inspector. Be aware of the strong heat radiated through the hatch glass. Placing combustible material closer than the safe distance indicated may cause a fire.

## Safety zone

No combustible constructional or decorative element must come within the prescribed safety zone at any time. Note that the size of the safety zone varies depending on the type of installation and the angle of rotation. Follow the instructions and check the safety zone is free when the turntable is rotated.

## Floor plate

Always bear in mind how the stove will be rotated when calculating the size of the floor plate required. For information about the size of the floor plate, please refer to the installation instructions supplied with the stove itself. It is always essential that the surface on which the floor plate stands is flat and level under all circumstances.



## Installation distance to combustible walls

The distances between stove and wall must always be at least as great as those specified in the diagrams below. Measurements are given in mm. Follow the instructions on page 52 for correct location of the turntable.

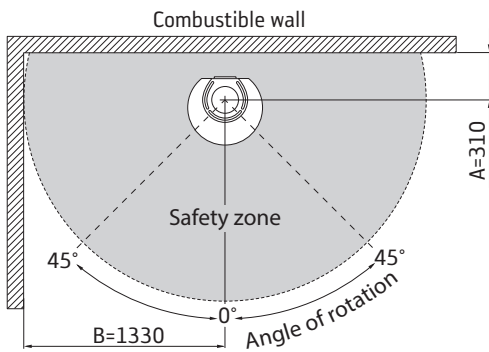
When connecting combustion air through the turntable, the centre of the supply air hole in the floor ( $\varnothing 100$ ) must be at the same distance as the turntable's axis of rotation. Installation dimensions, A and B, refer to measurement from wall to axis of rotation.

### Non-combustible wall

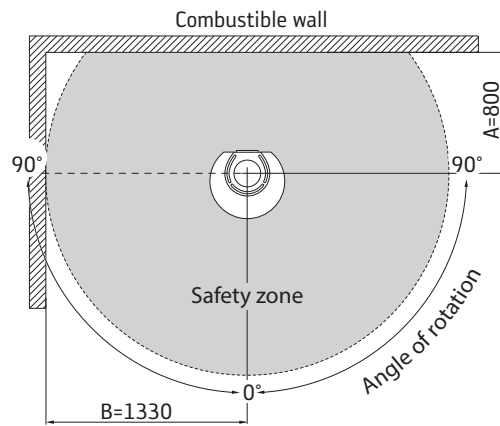
The gap between the stove and a non-combustible wall, classed as a fire-wall, may be as little as 50 mm. When installing against a non-combustible wall, always ensure that the turntable can rotate freely. The eccentric rotation can affect the free rotation. Note that heat radiation can discolour painted walls.

### Contura 510, 520, 520T, 590T

Angle of rotation 90°

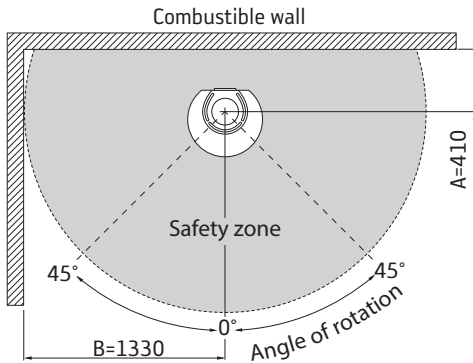


Angle of rotation 180°

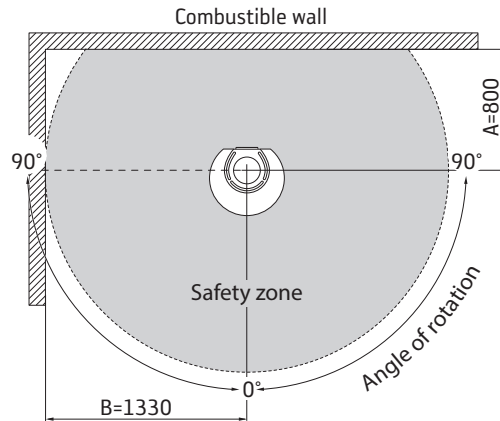


### Contura 556, 556T, 586, 596, 596T

Angle of rotation 90°

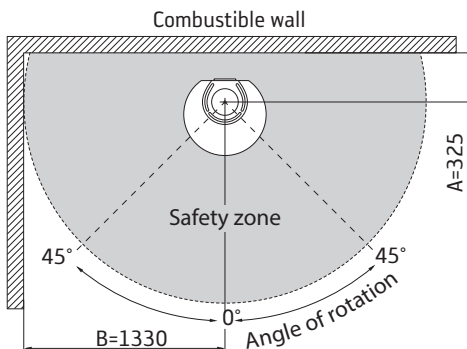


Angle of rotation 180°

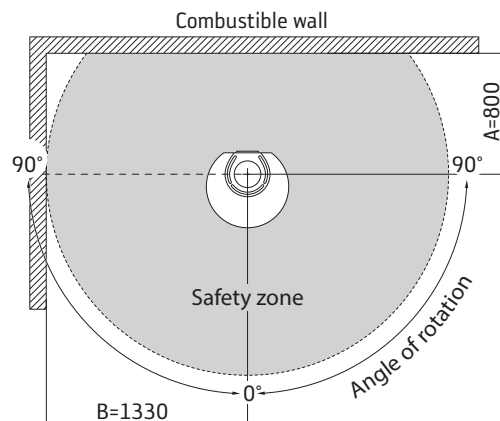


### Contura 620T, 630, 630T, 635, 650, 655, 660K, 660T

Angle of rotation 90°

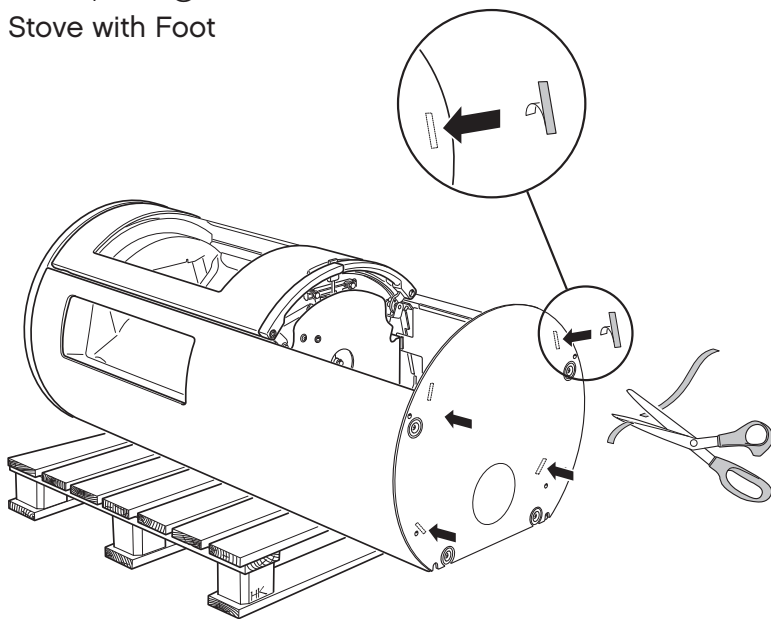


Angle of rotation 180°



# Adapting the stove

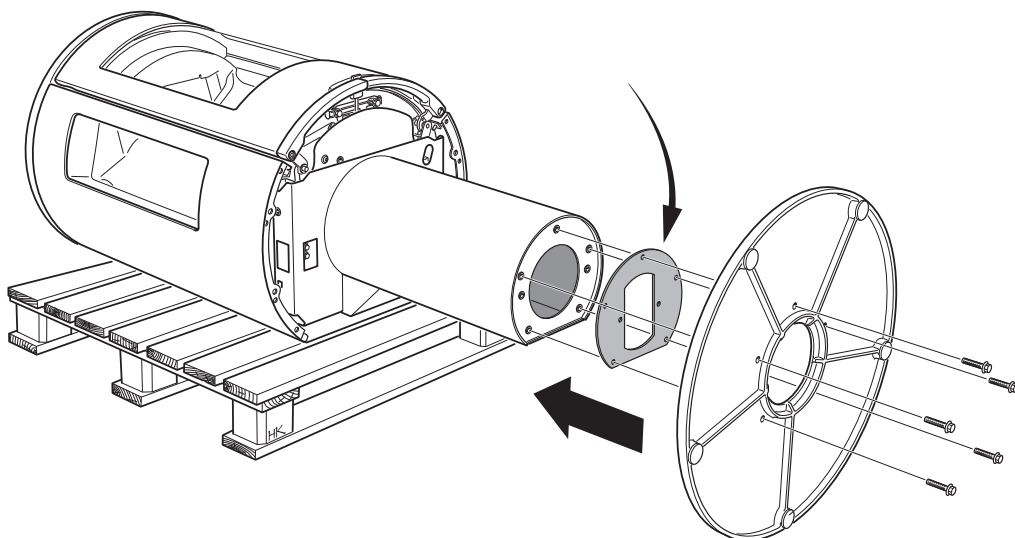
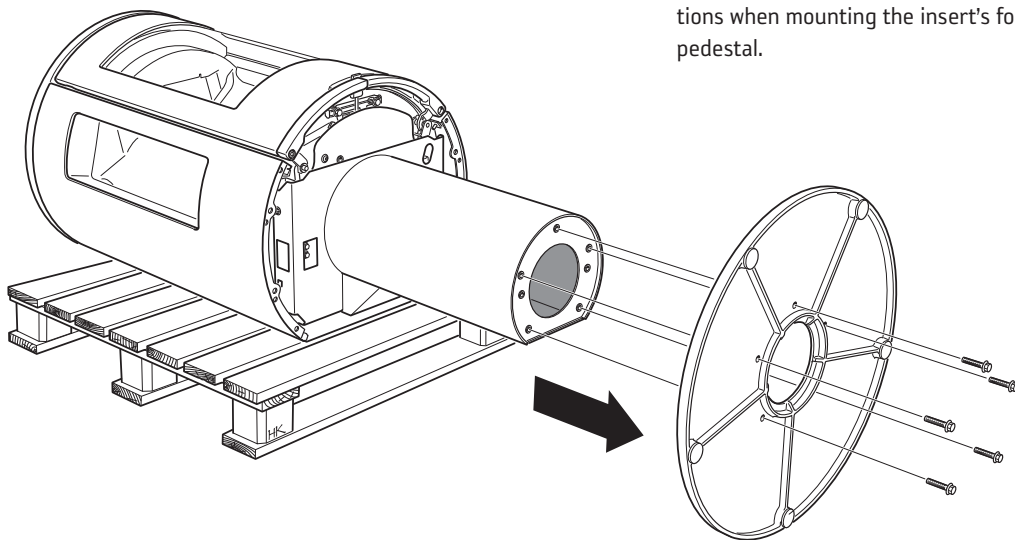
## Stove with Foot



## Stove with Pedestal



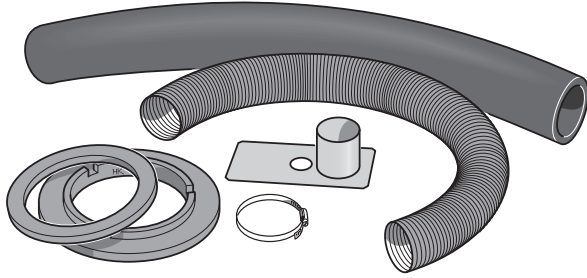
Follow the stove's installation instructions when mounting the insert's foot pedestal.



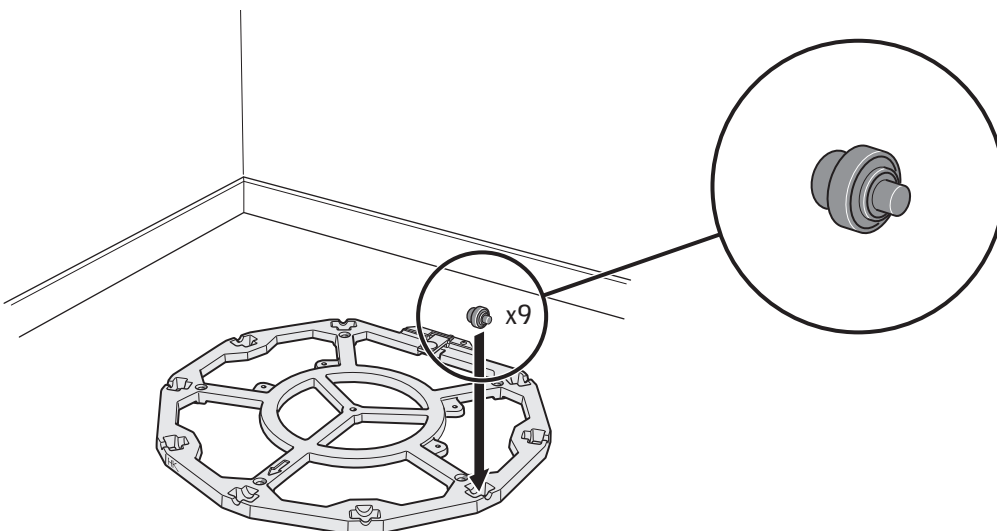
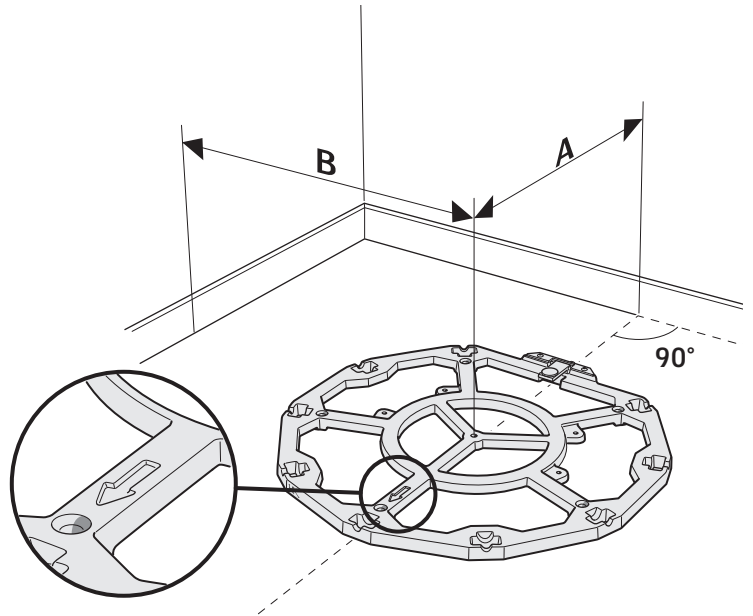
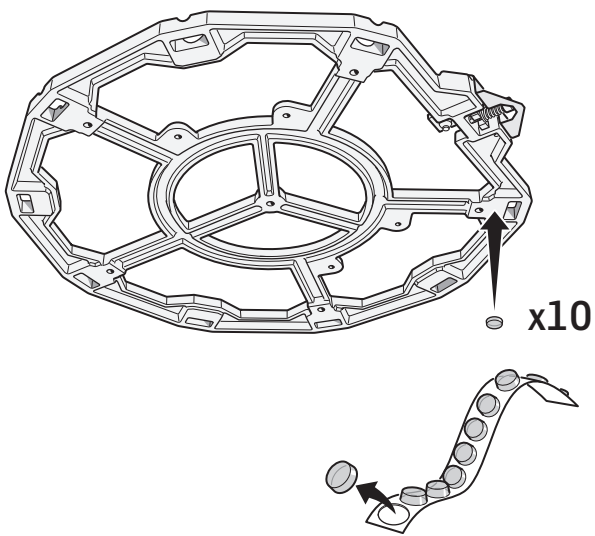
## Positioning and Installation

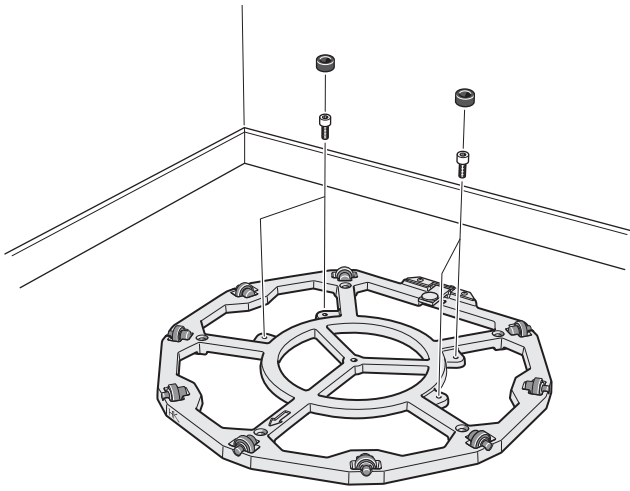
The bottom section of the turntable is positioned so that installation dimensions A and B are met. Note that A and B are different depending on the model and angle of rotation. The bottom section is positioned on a secure, flat surface. If possible, the bottom section can be secured in the floor surface using screws. The arrow

on the bottom section marks the stove's neutral position where it can be turned an equal amount in both directions. If the turntable/stove is to be connected to a supply air duct in the floor, an outdoor air connector (accessory) is required.

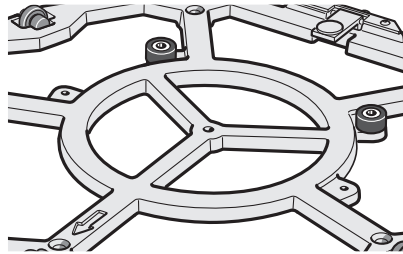
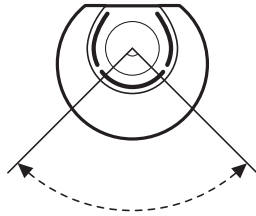


Outdoor air connection (accessory)

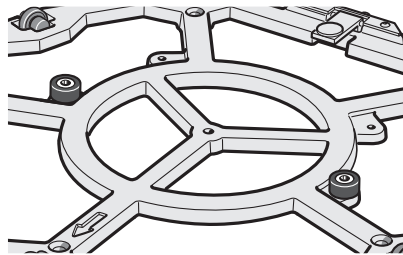
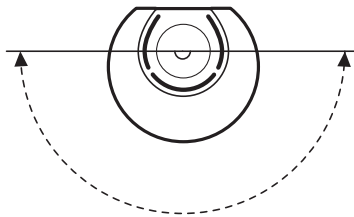




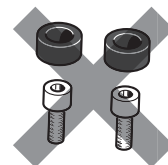
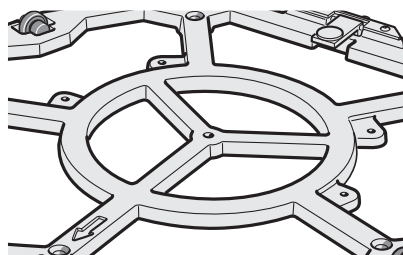
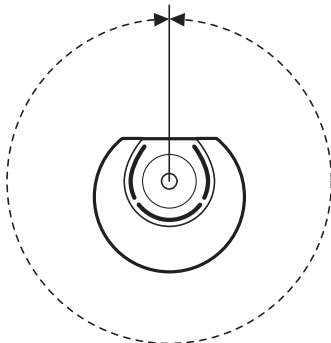
90°

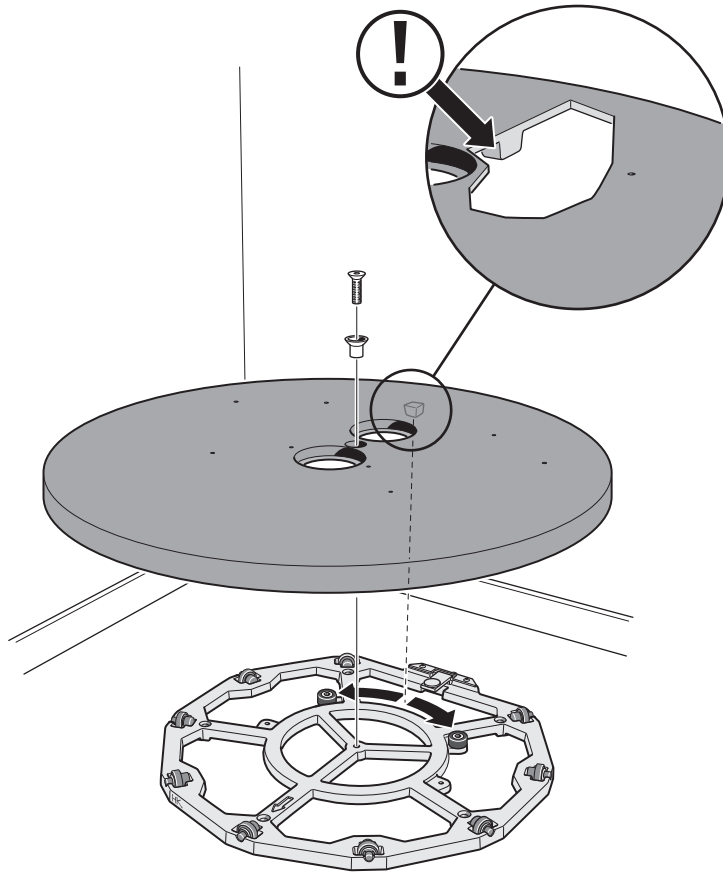


180°

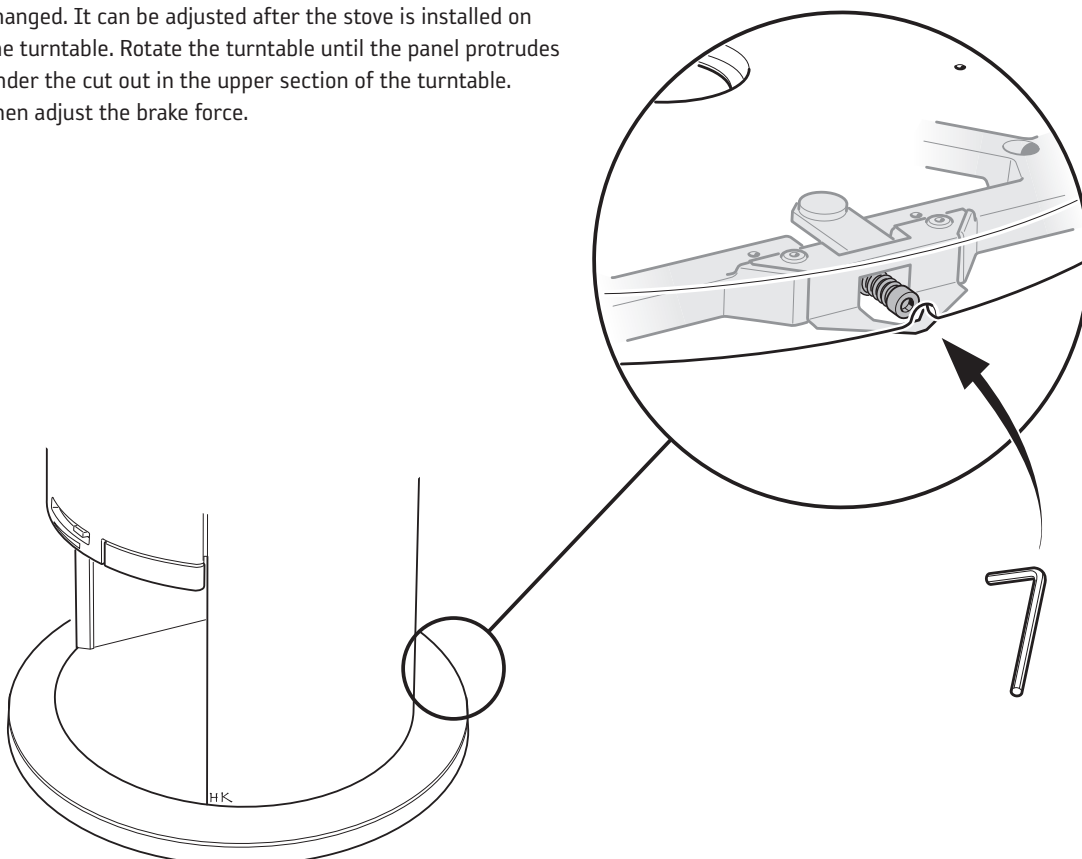


360°





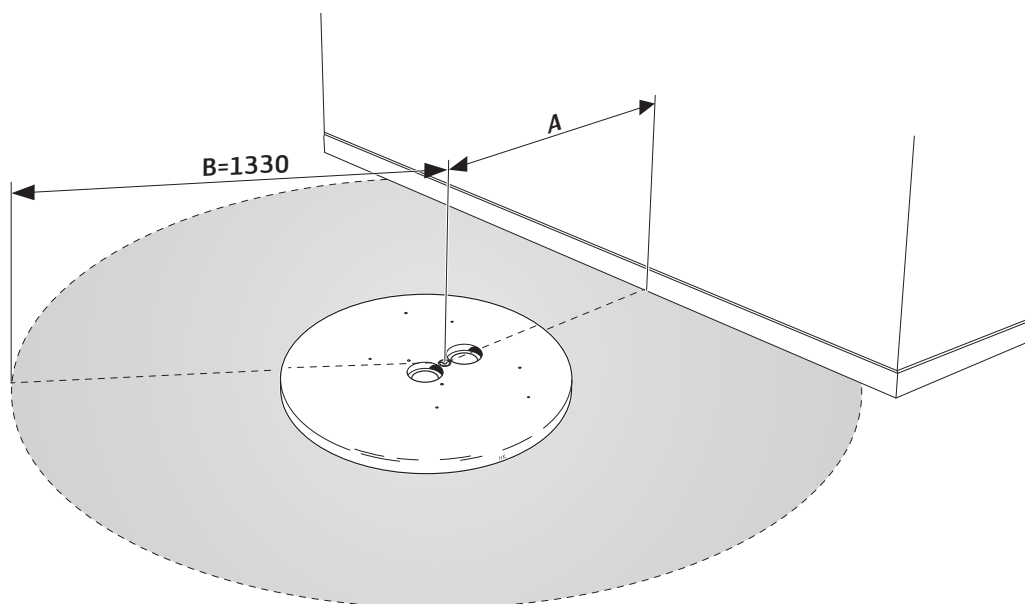
The turntable brake is preset and should not normally be changed. It can be adjusted after the stove is installed on the turntable. Rotate the turntable until the panel protrudes under the cut out in the upper section of the turntable. Then adjust the brake force.





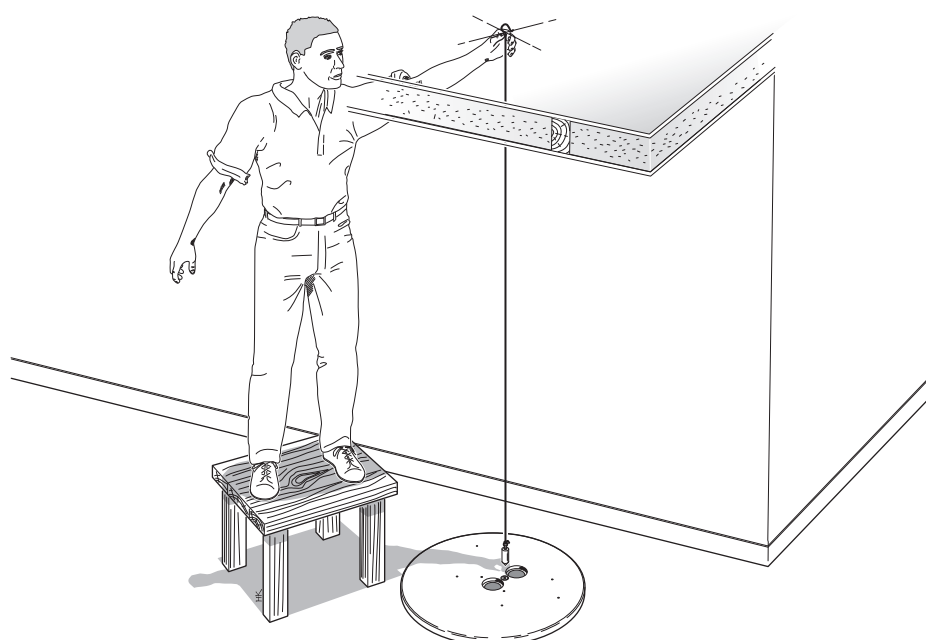
## Checking safety zone

Check that the axis of rotation of the turntable is the correct distance from combustible walls, check that A and B are met according to page 2. Also check that there is no combustible material in the safety zone.



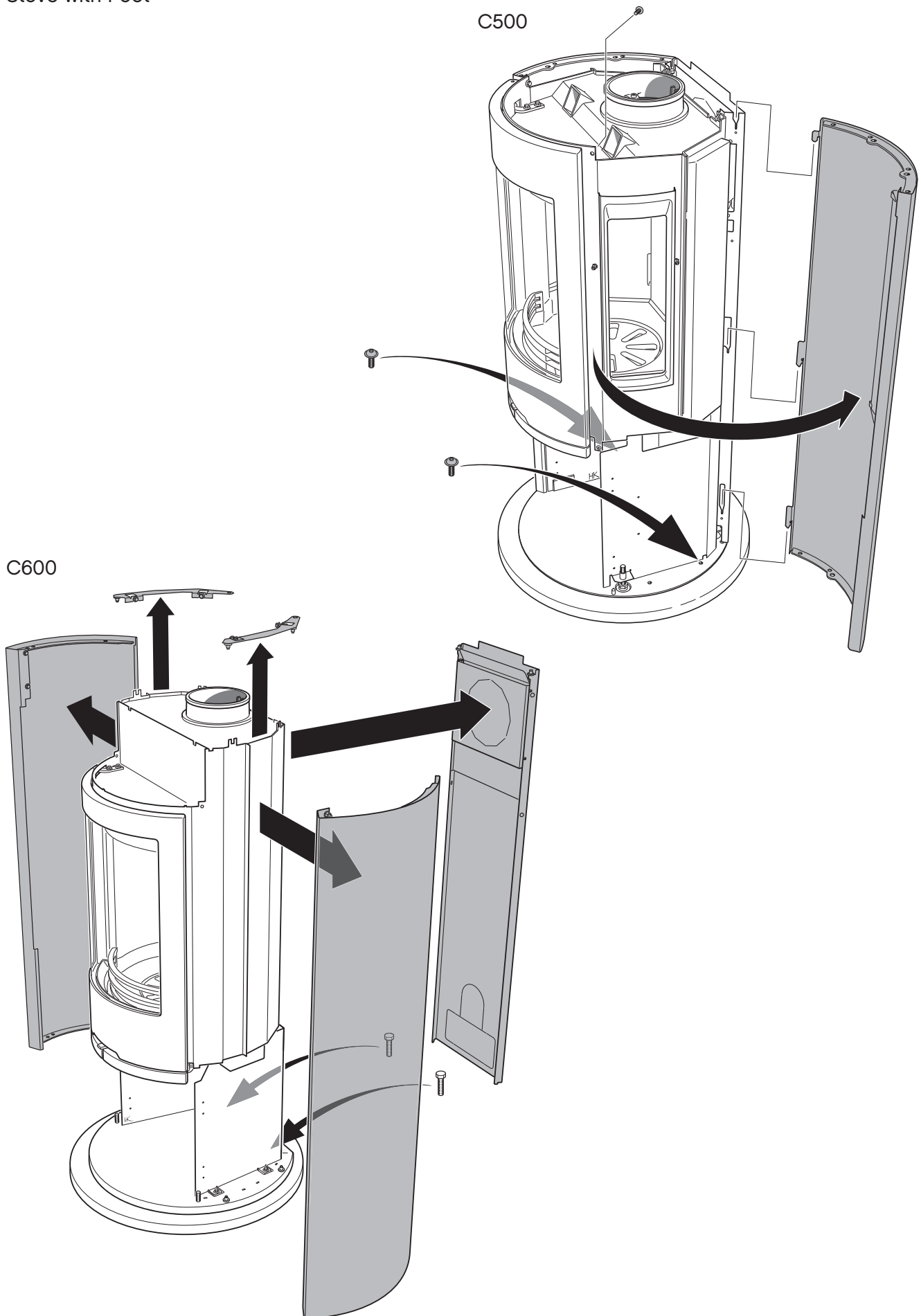
## Making hole for chimney

Make the marking for hole in the ceiling when the turntable has been positioned. Work from the centre axis of the turntable.

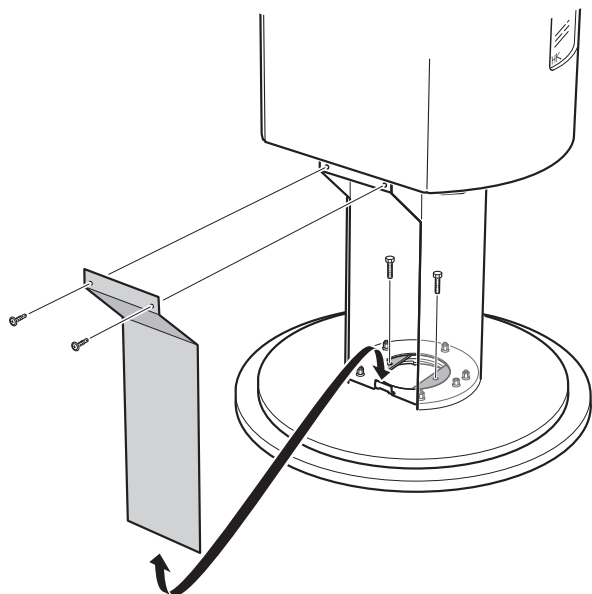


# Assembling the stove

## Stove with Foot

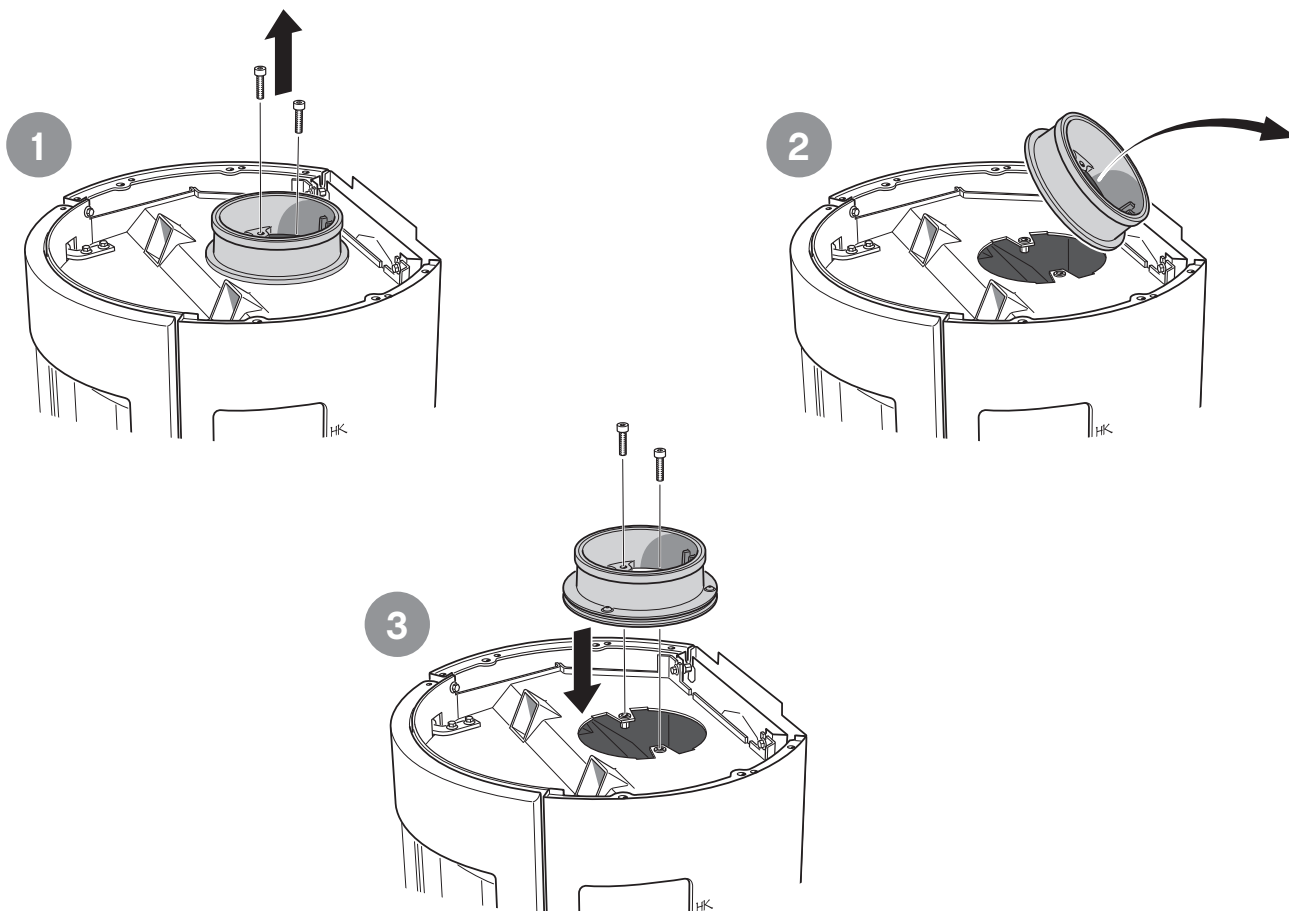


## Stove with Pedestal



## Installing rotating collar

Unscrew the two screws holding the factory installed collar and replace it with the rotating collar, carried on bearings, supplied with the turntable.



811071 IAV SE-EX Turntable 2010 C500/C600-3  
2017-05-30

*Contura*

NIBE AB · Box 134 · SE-285 23 Markaryd · Sweden  
[www.contura.eu](http://www.contura.eu)