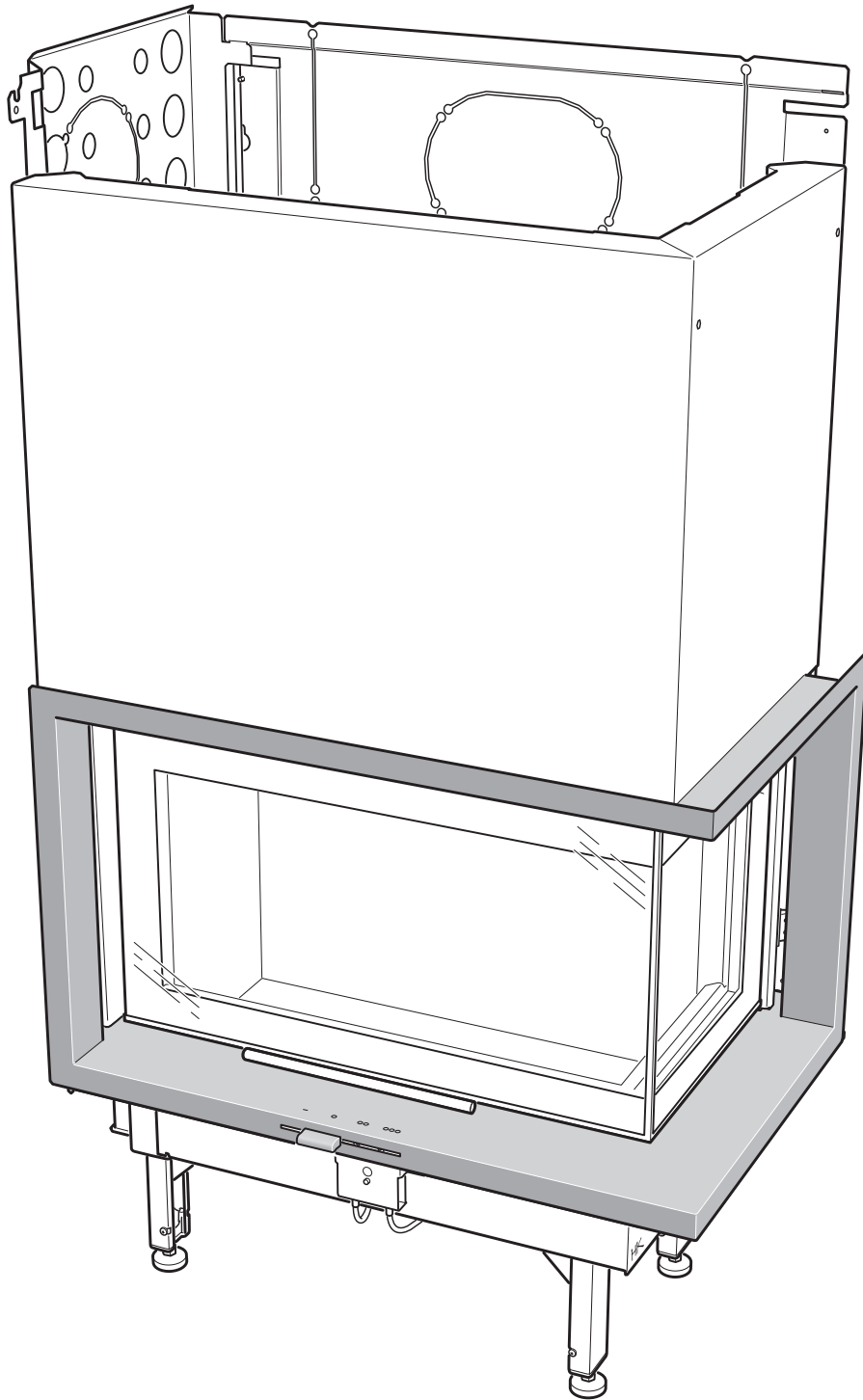
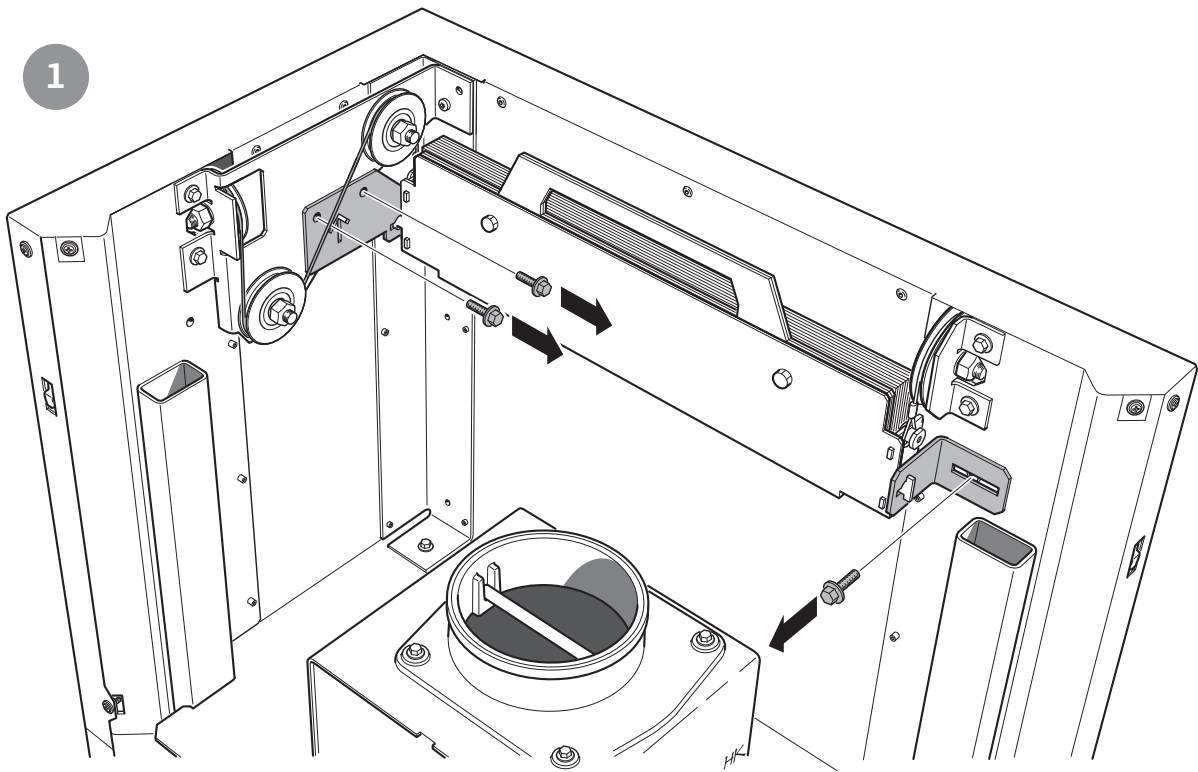
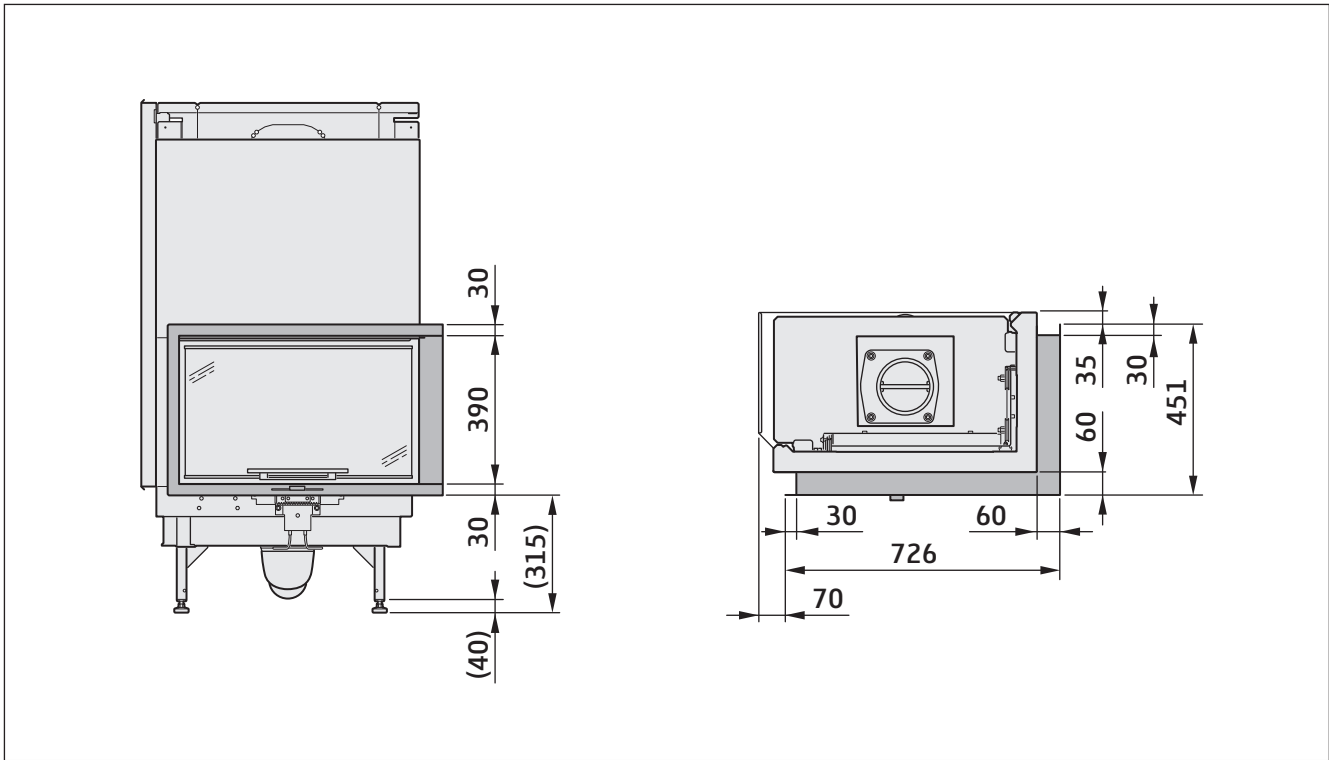


# Installation instruction

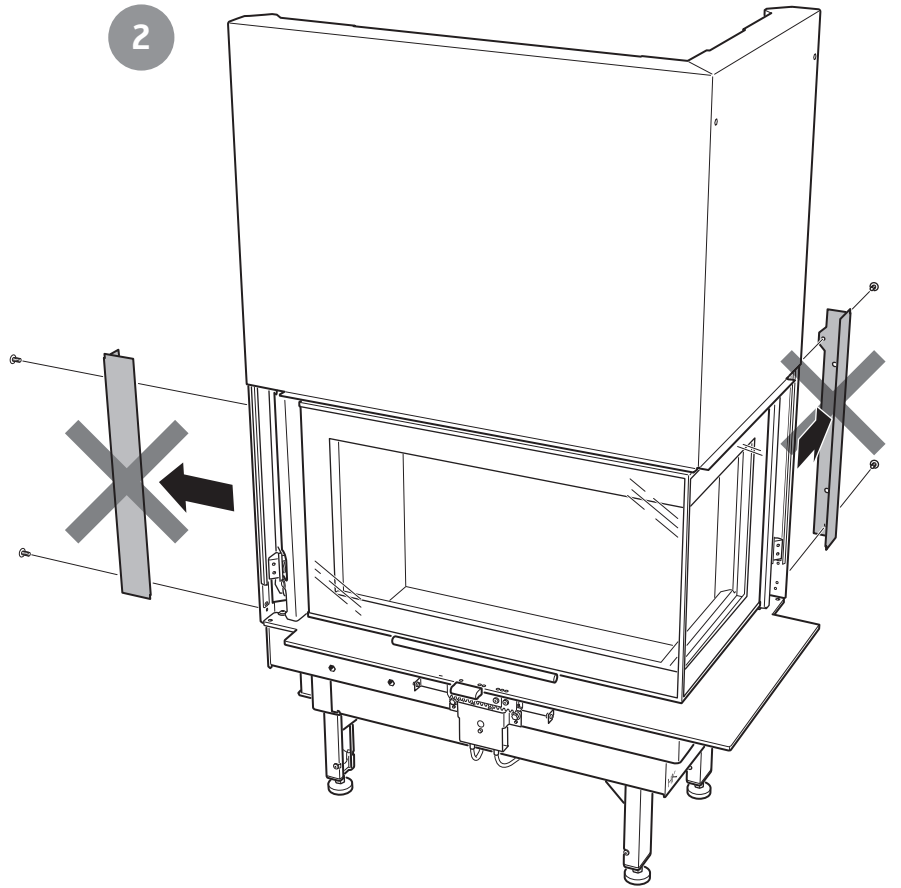


C i40

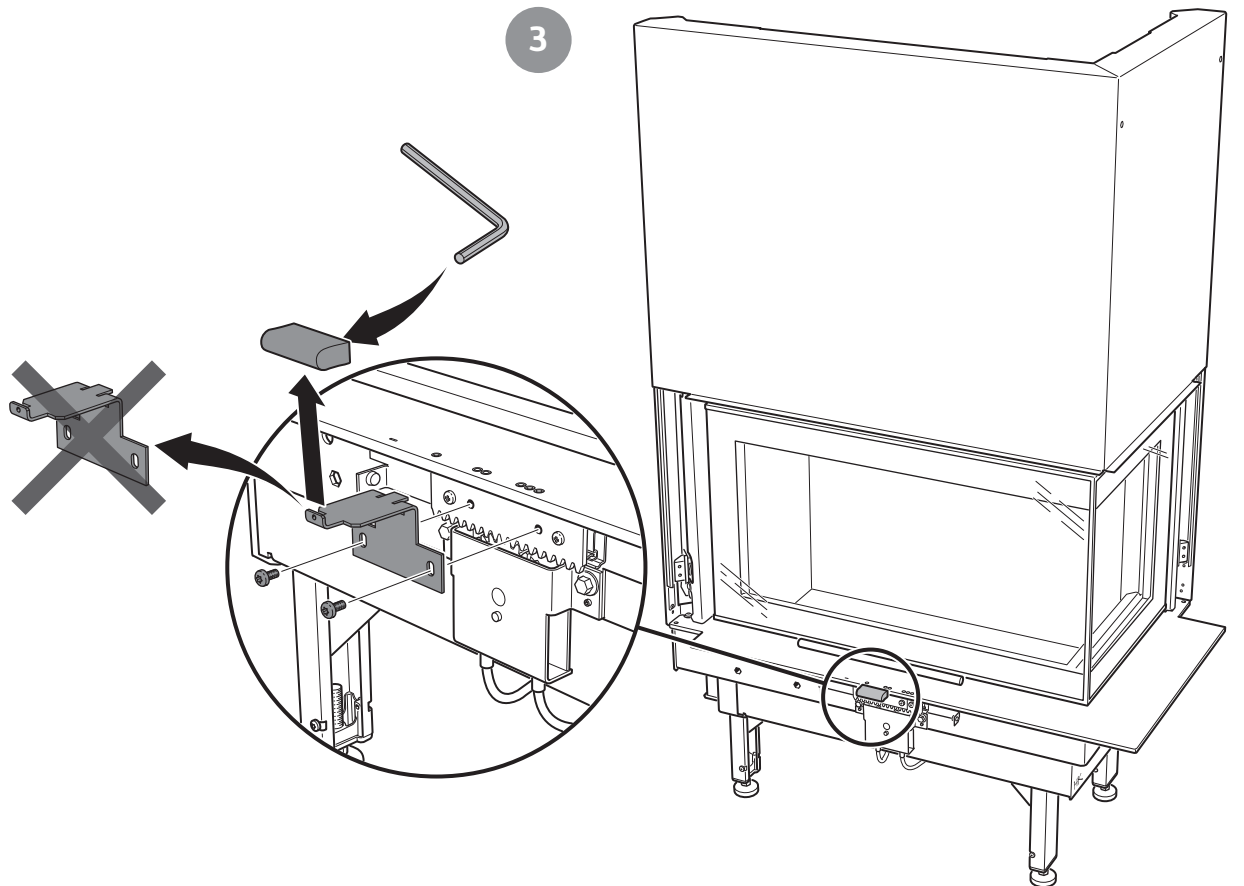
***Contura***

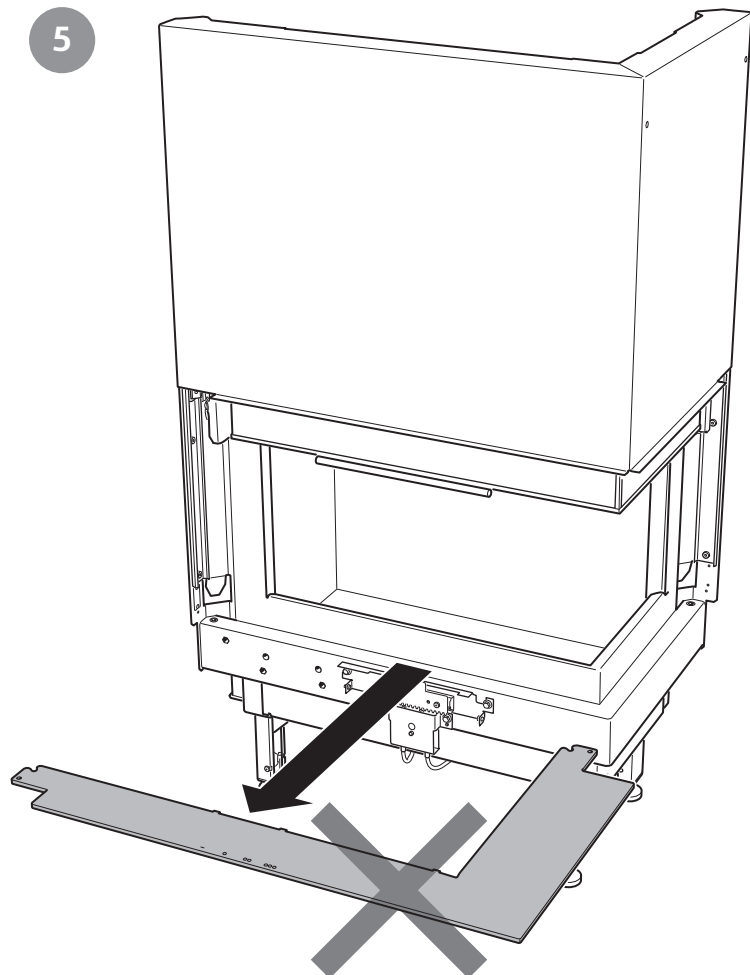
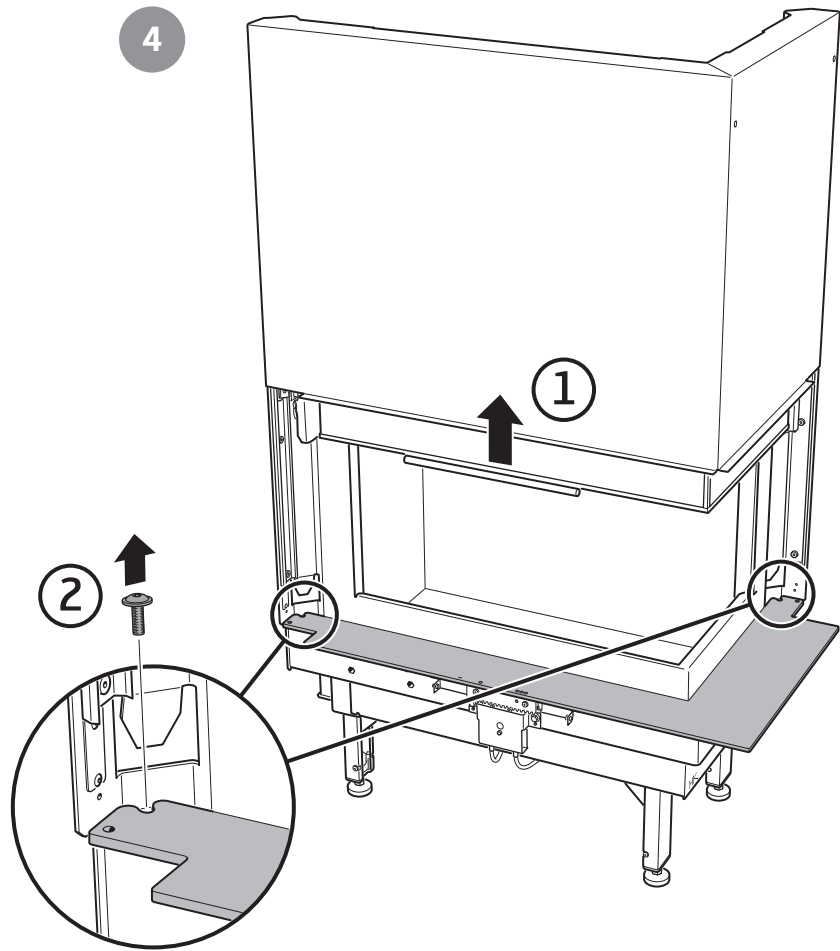


2

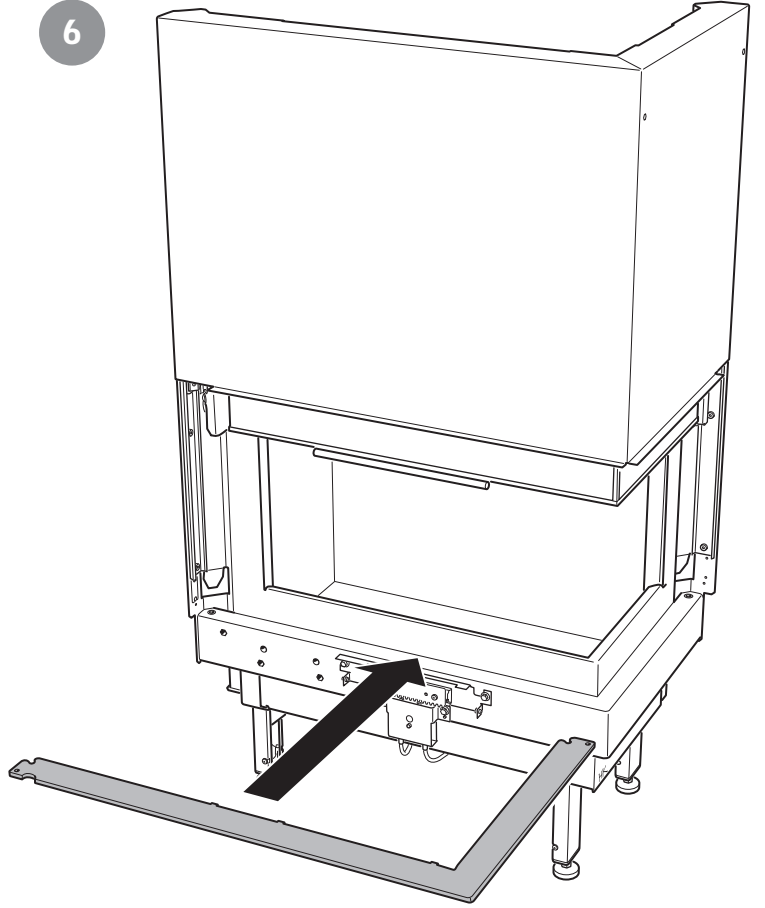


3

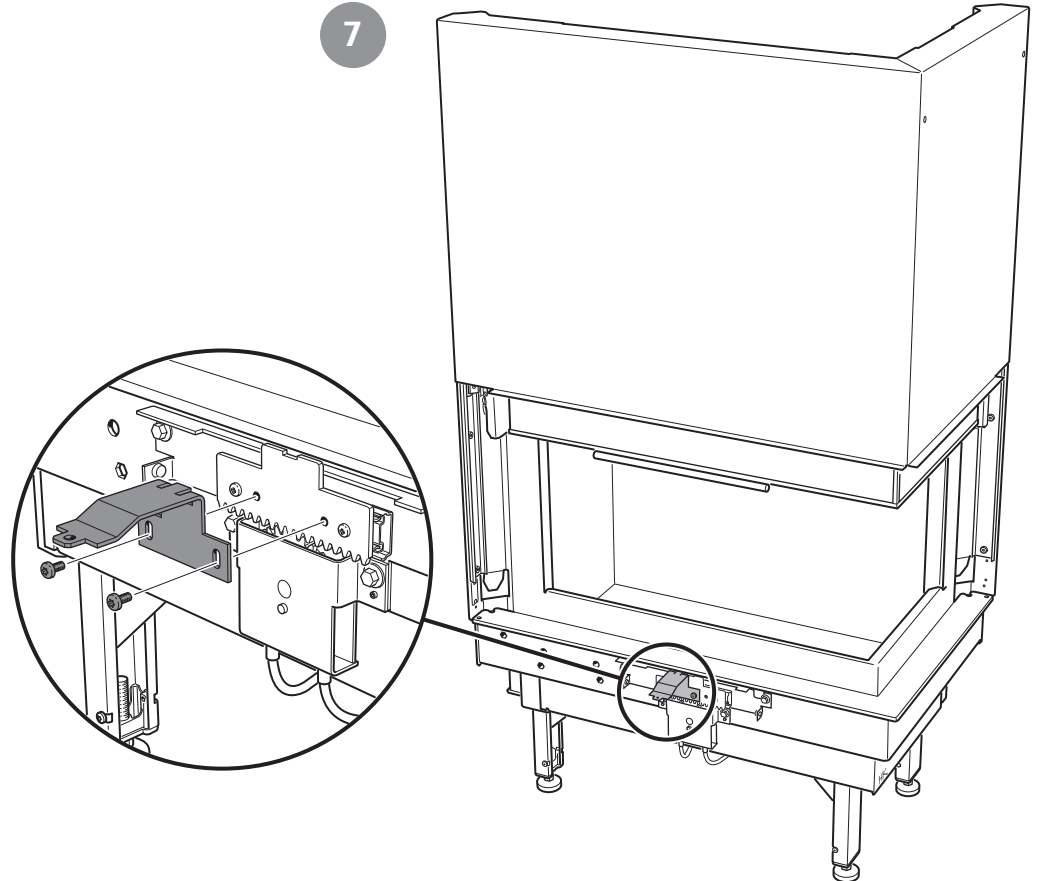




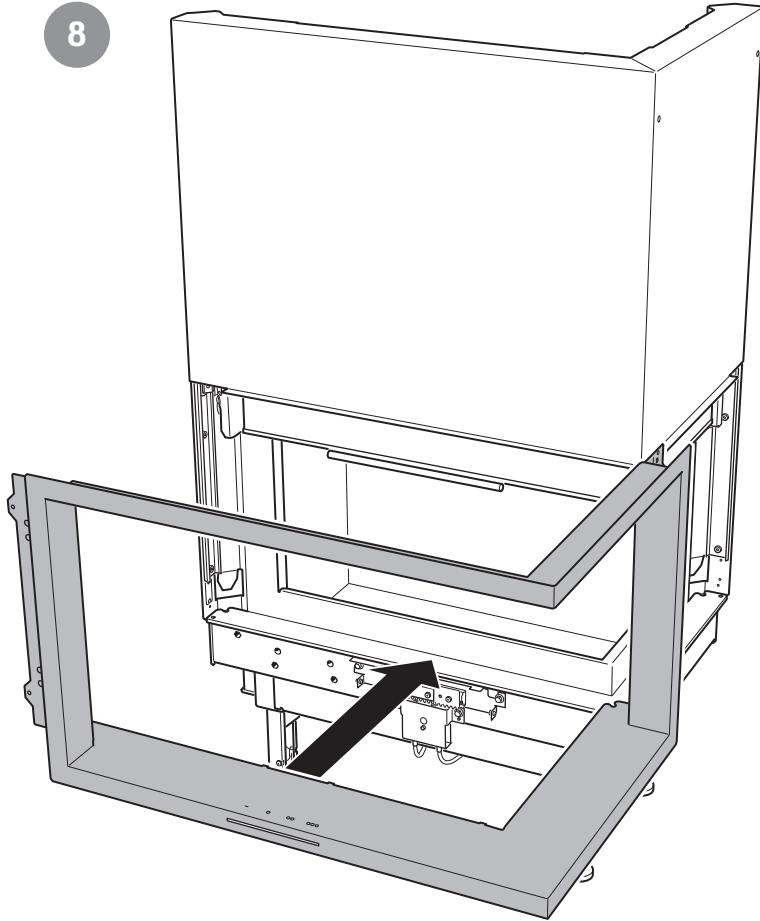
6



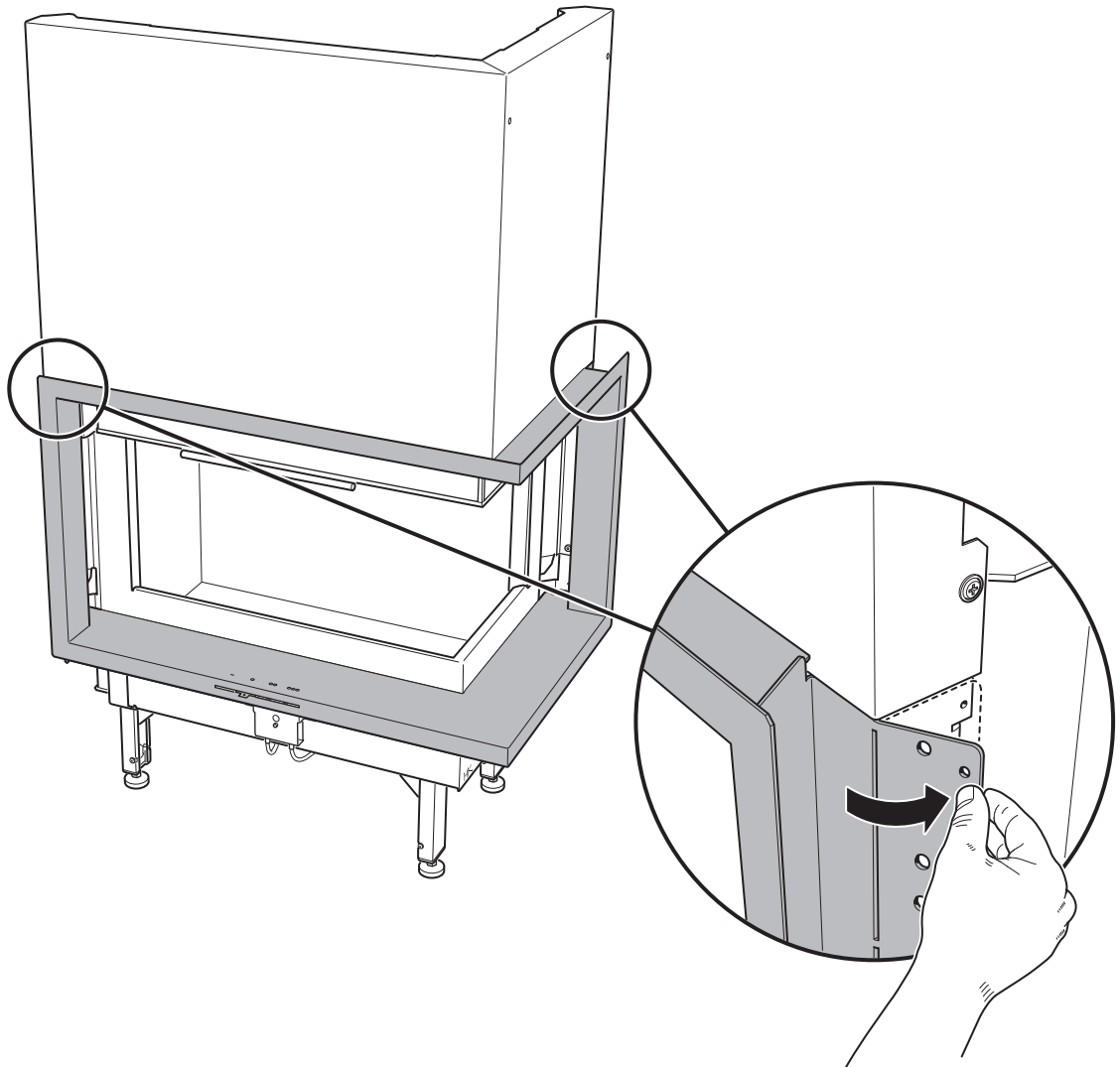
7

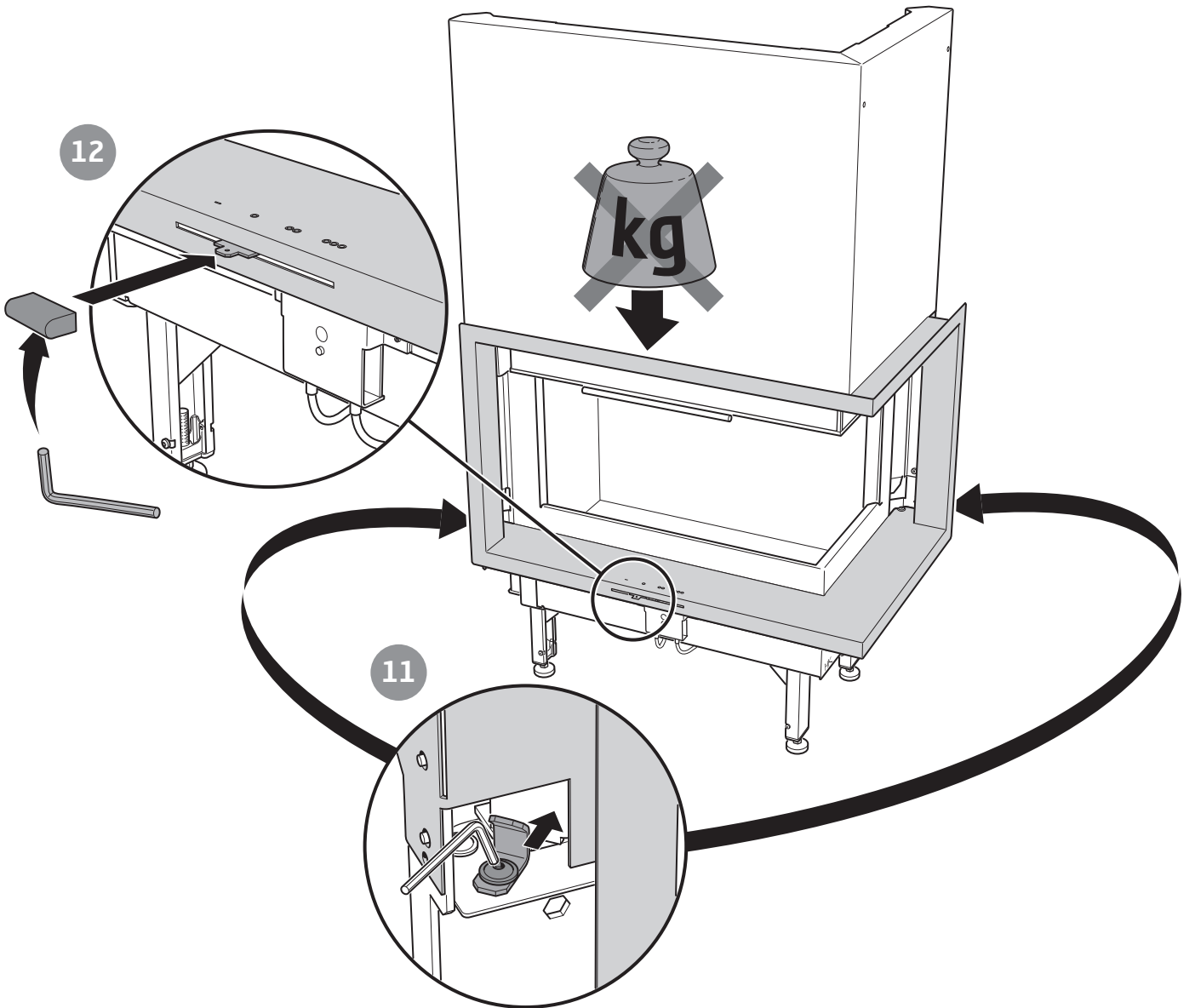
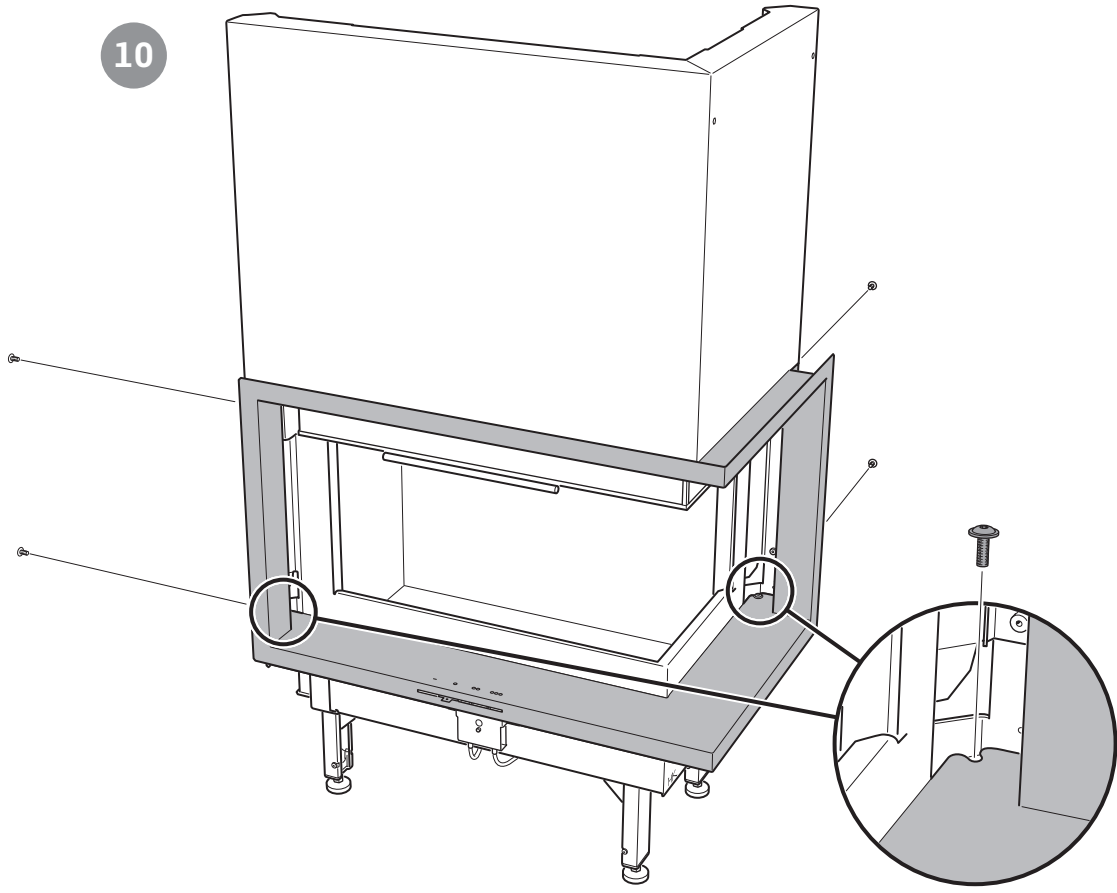


8



9





# *Contura*

NIBE AB · Box 134 · SE-285 23 Markaryd · Sweden  
[www.contura.eu](http://www.contura.eu)

Contura reserves the right to change dimensions and procedures described in these instructions at any time without special notice. The current edition can be downloaded from [www.contura.eu](http://www.contura.eu)

811220 MAV Luckram Ci40-6  
2016-03-24