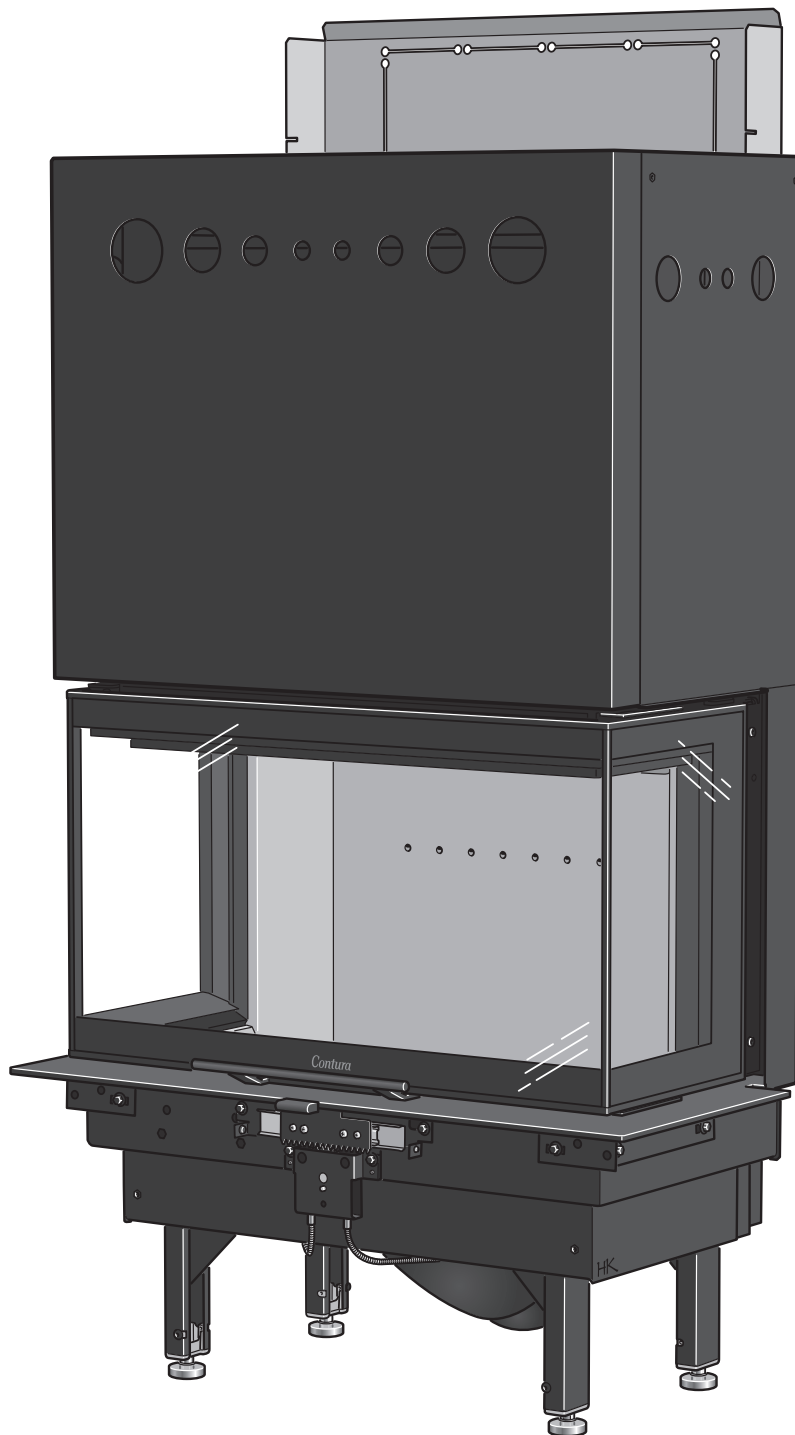


Service Manual

CI50



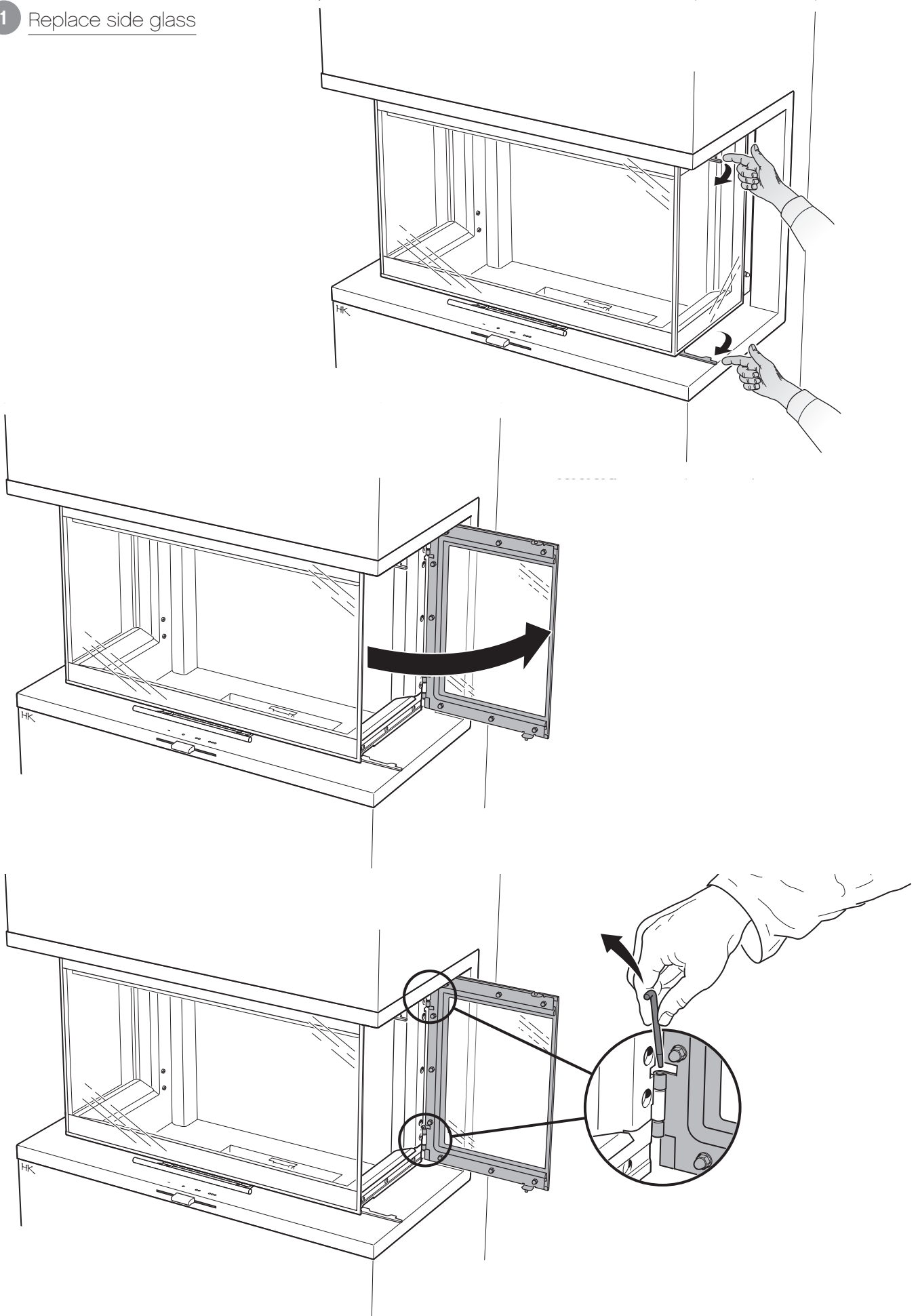
298250
998306
058507

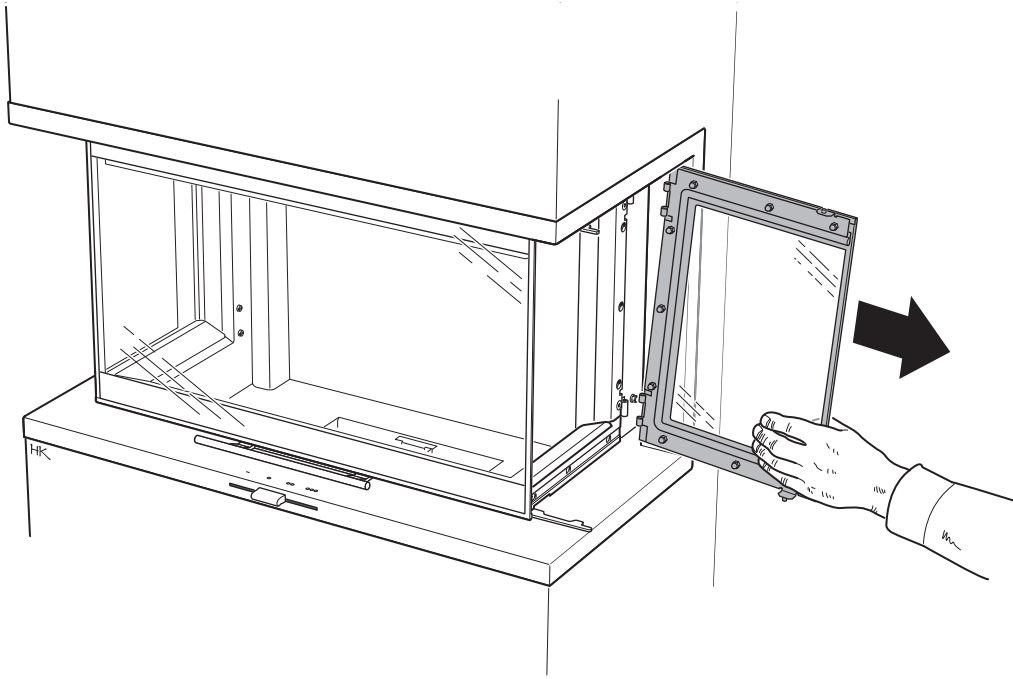
Contura

Table of contents

1. Replace side glass	3
2. Replace front glass	4
3. Replace gasket door	6
4. Replace gasket back	11
5. Replace door	13
6. Assemble Door lining	16
7. Replace Guillotine mechanism	18
8. Replace damper	20

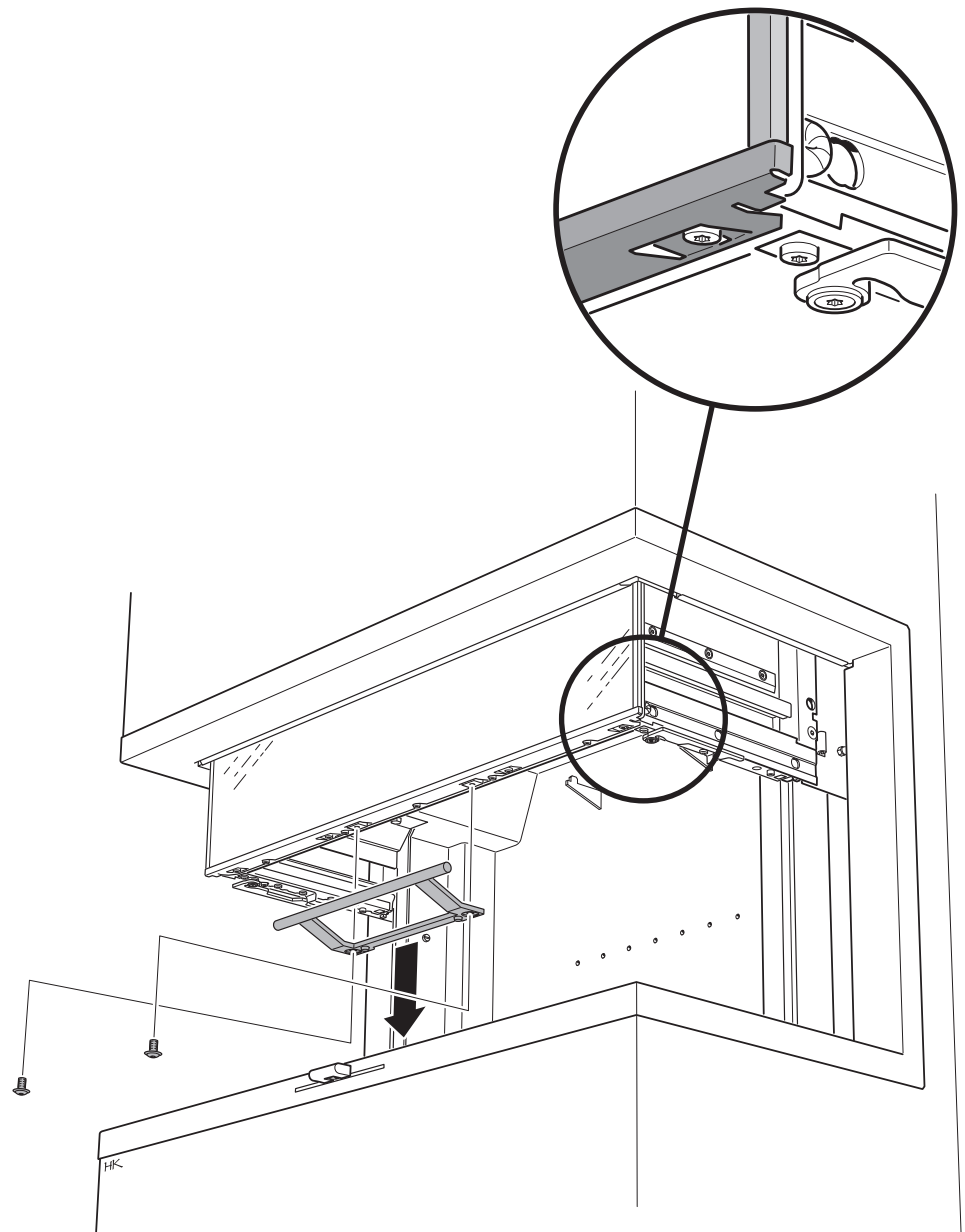
1 Replace side glass

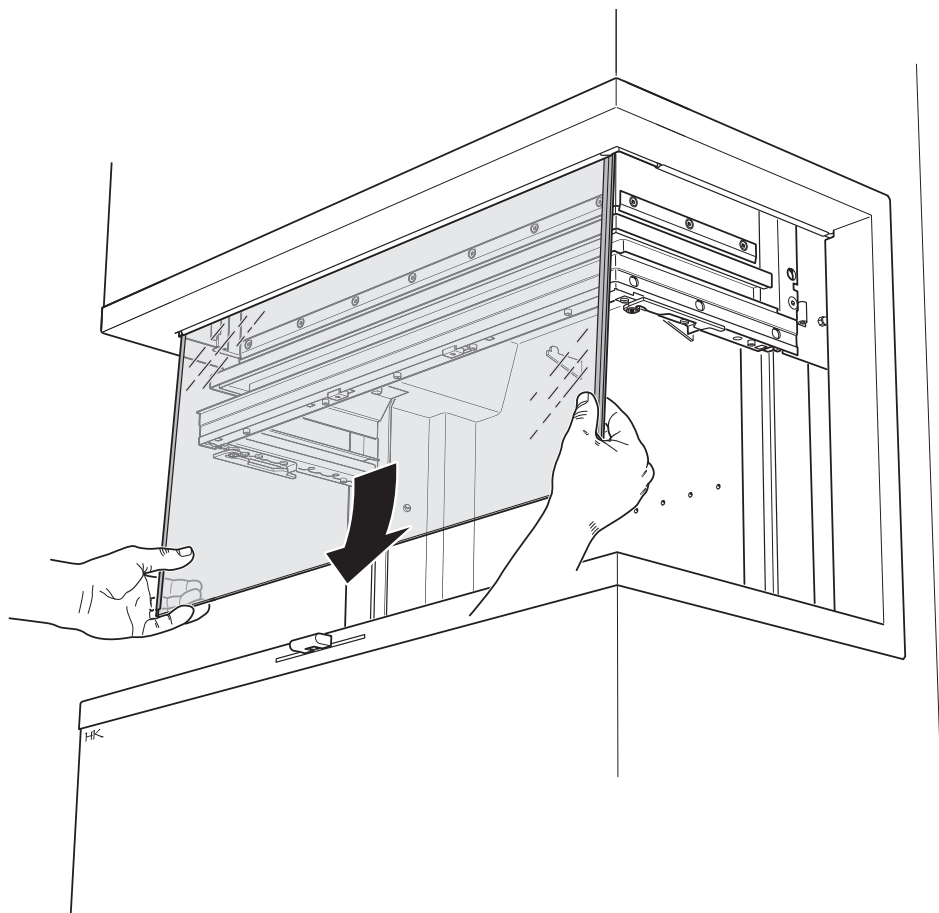
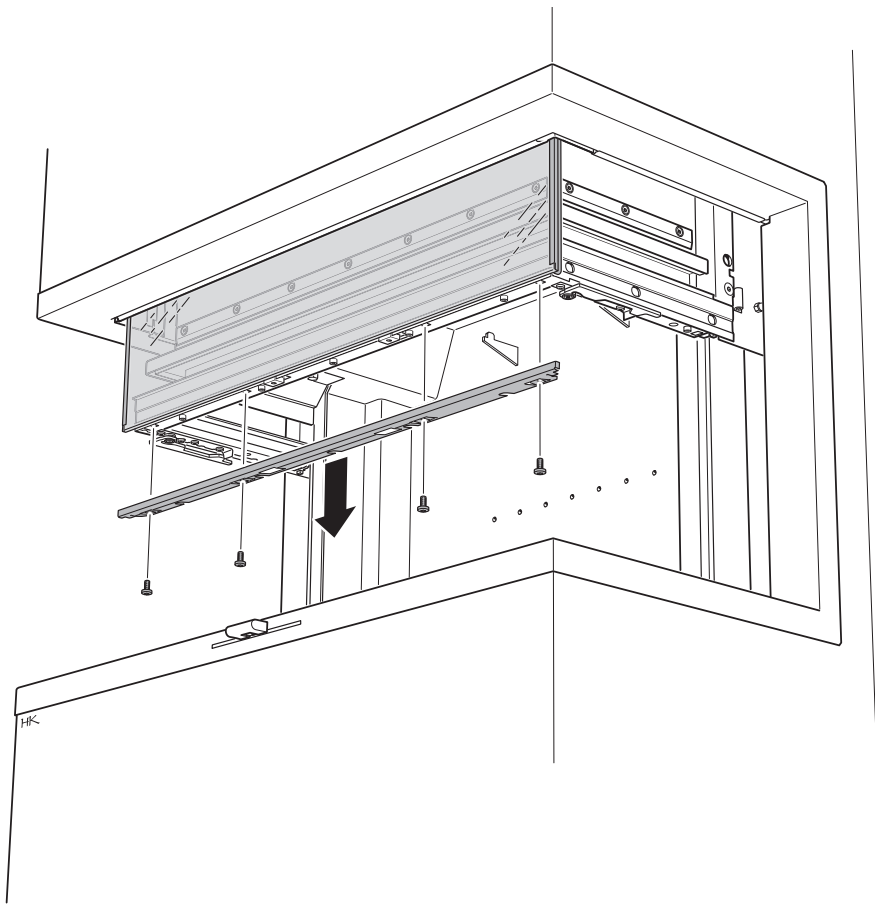




2 Replace front glass

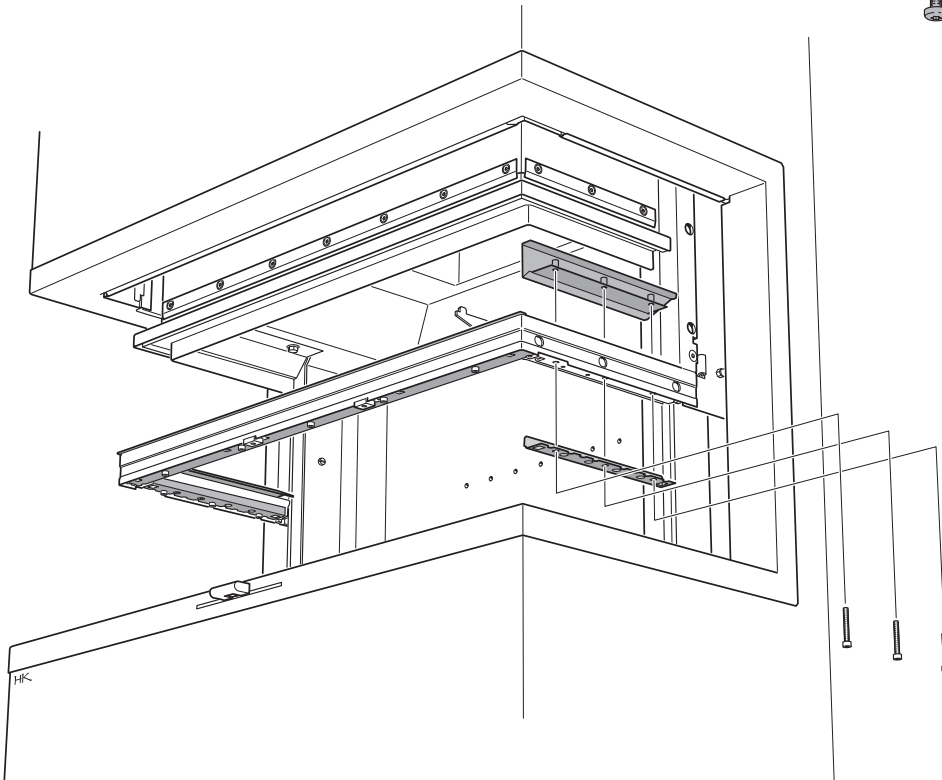
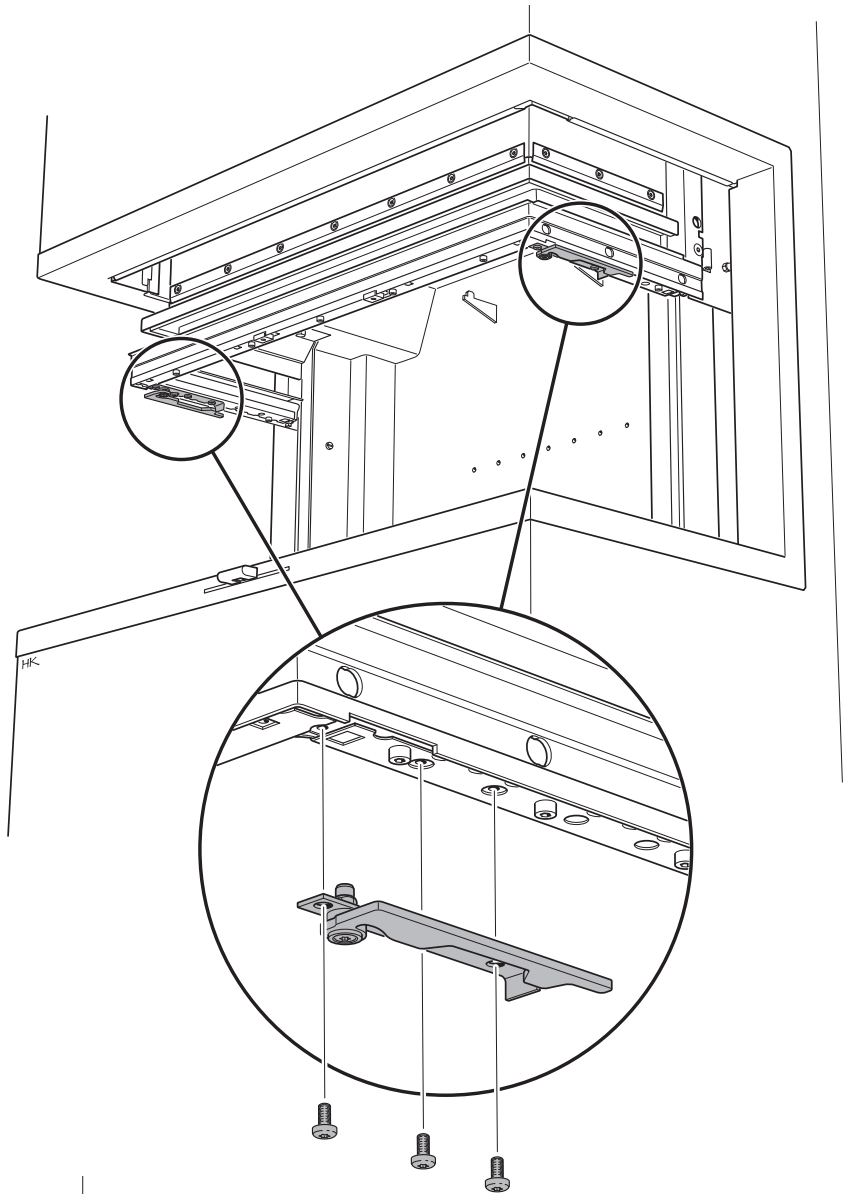
First: 1 Replace side glass

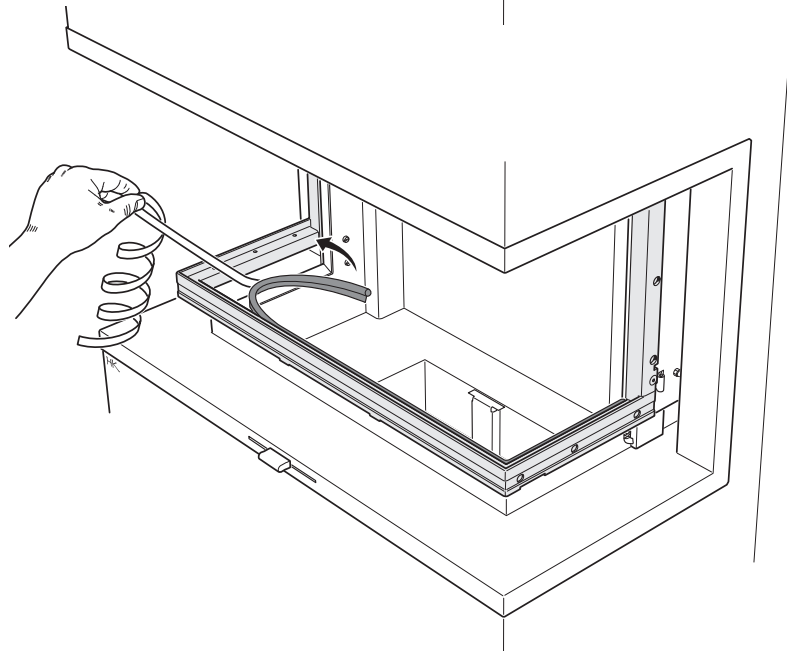
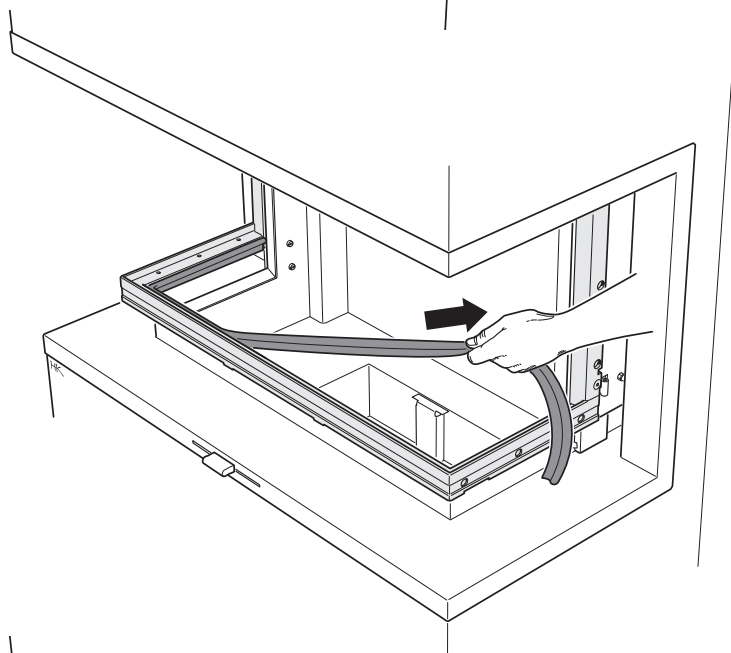
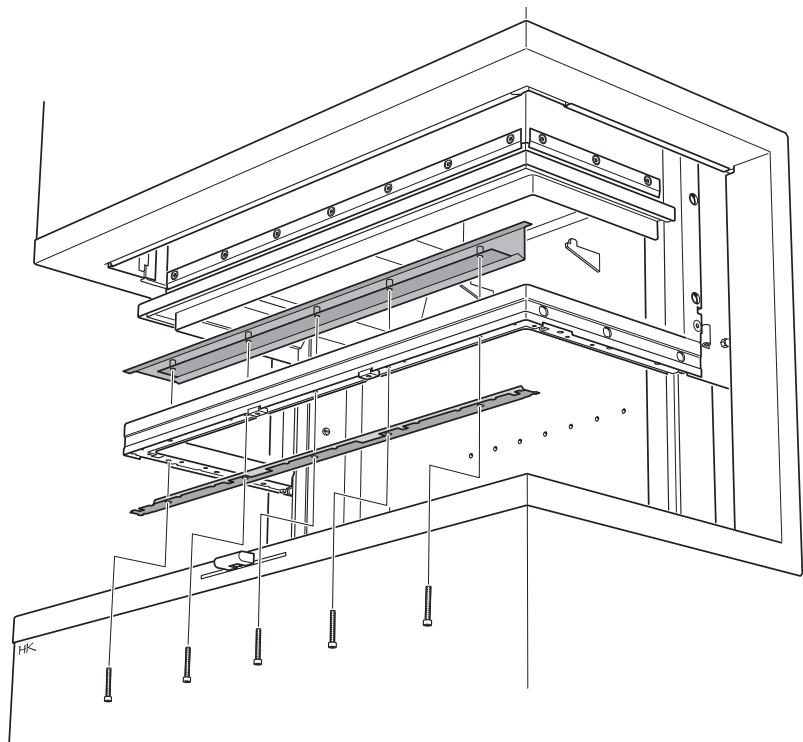


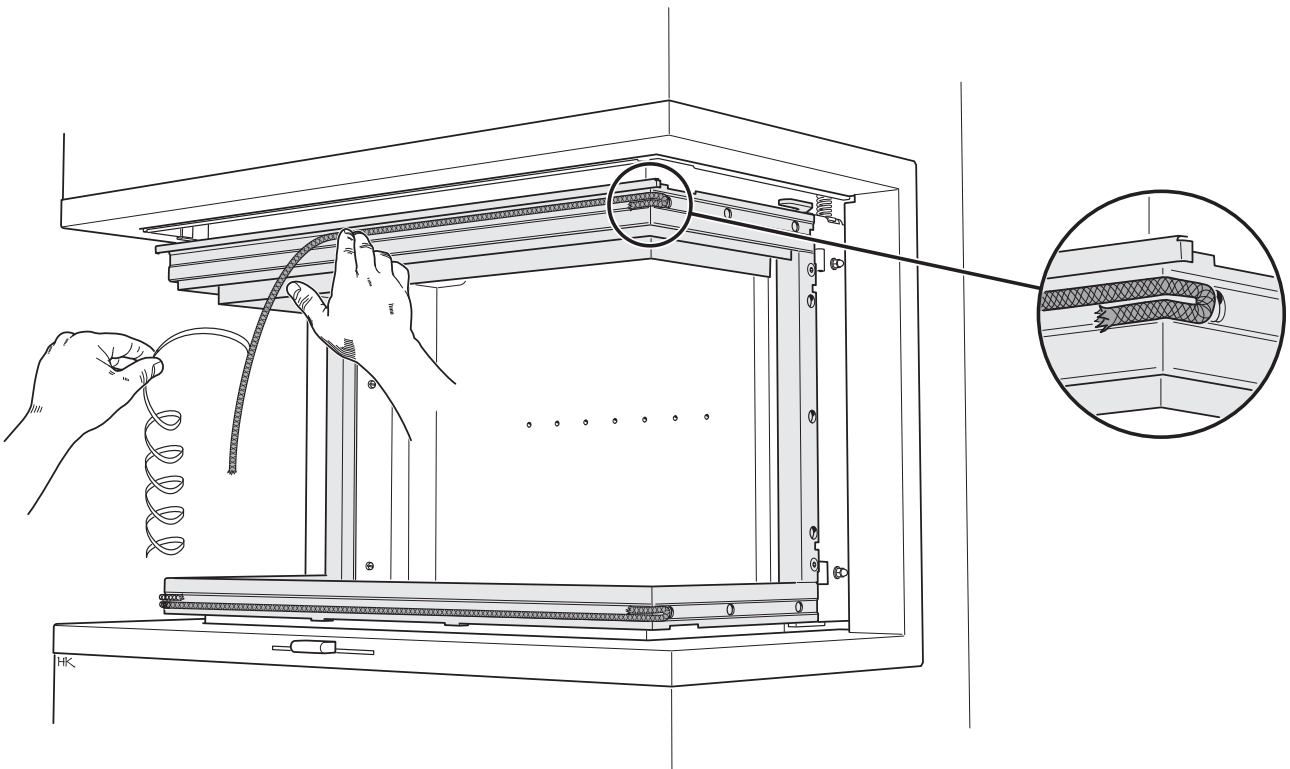
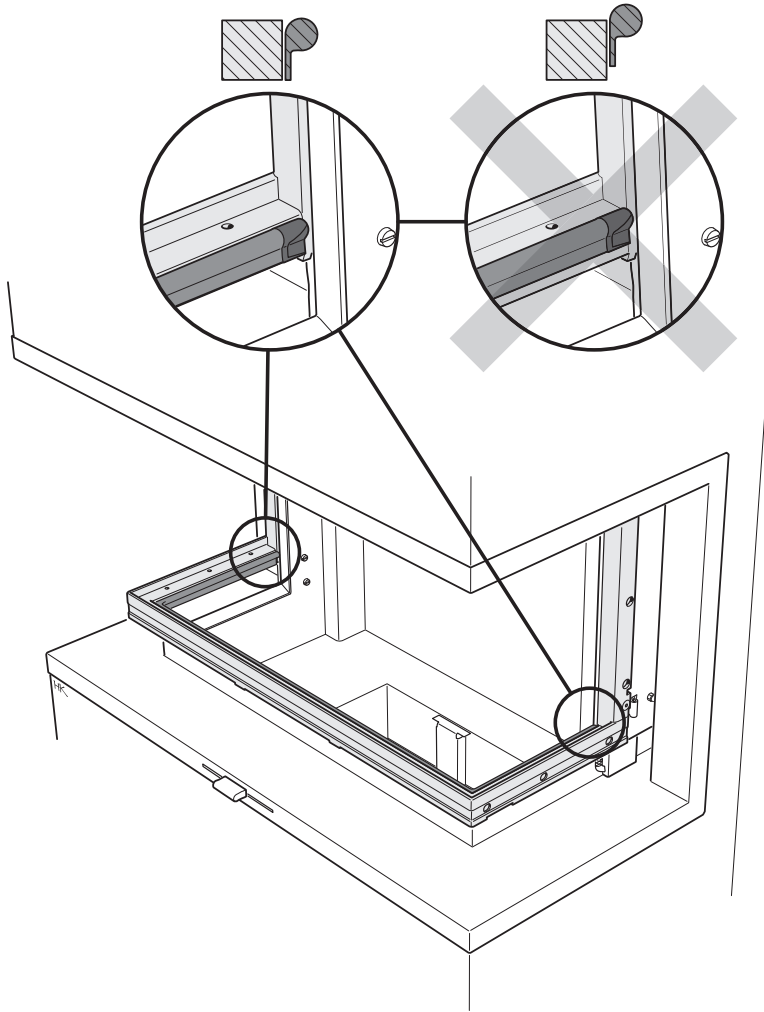


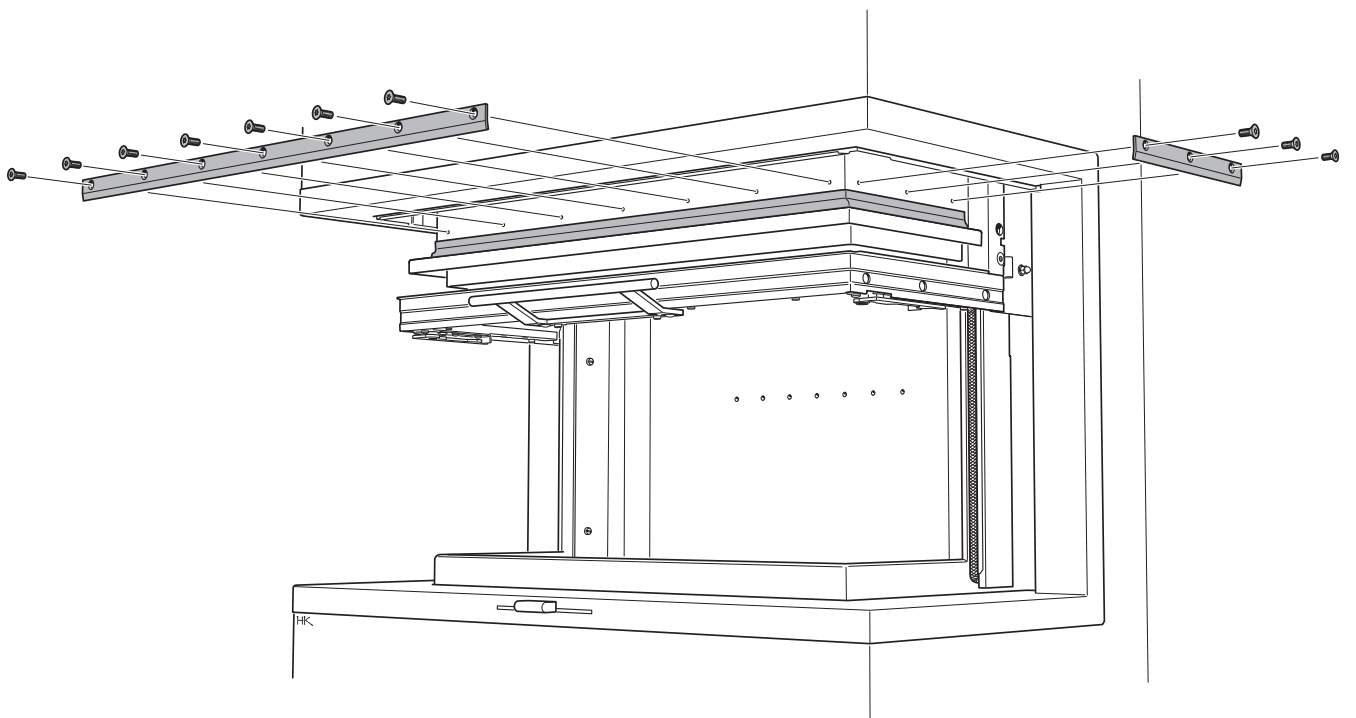
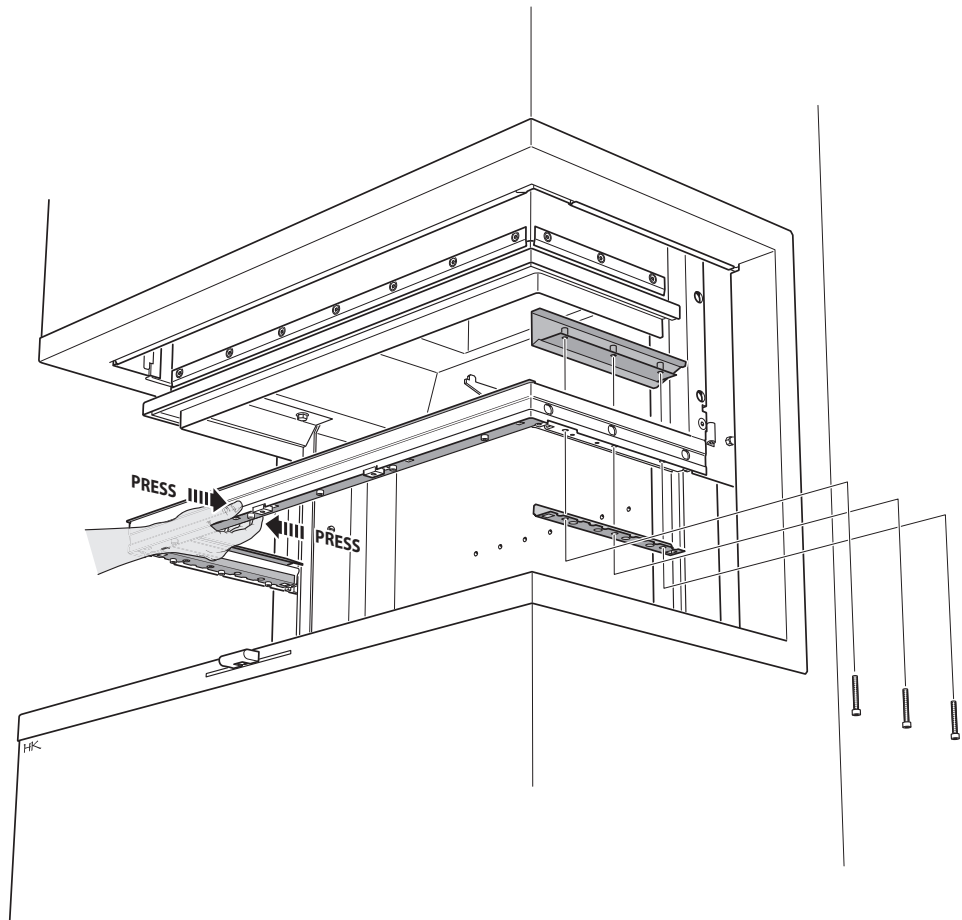
3 Replace gasket door

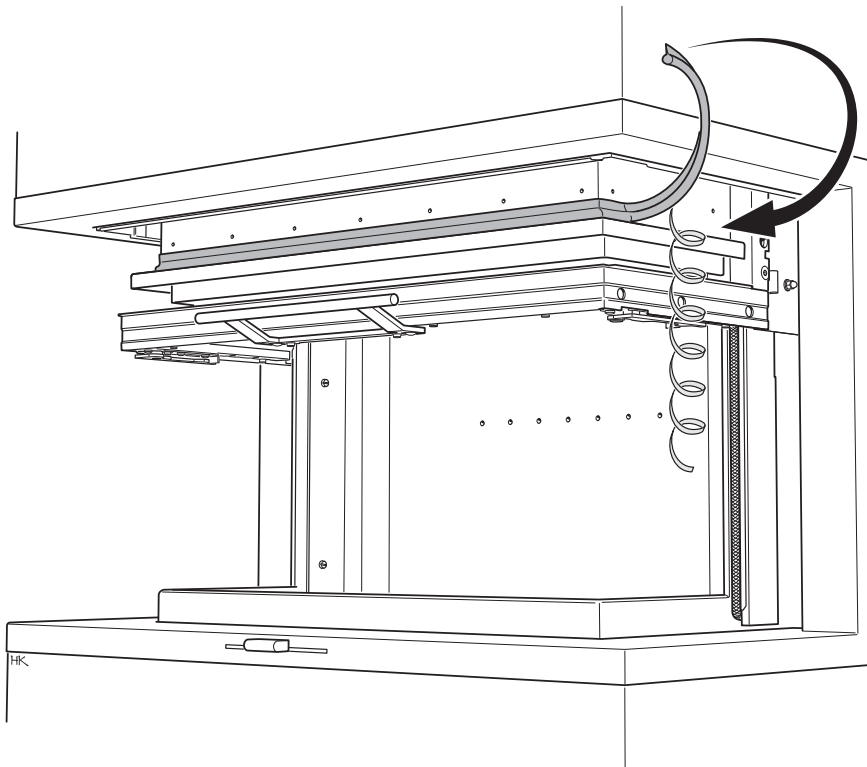
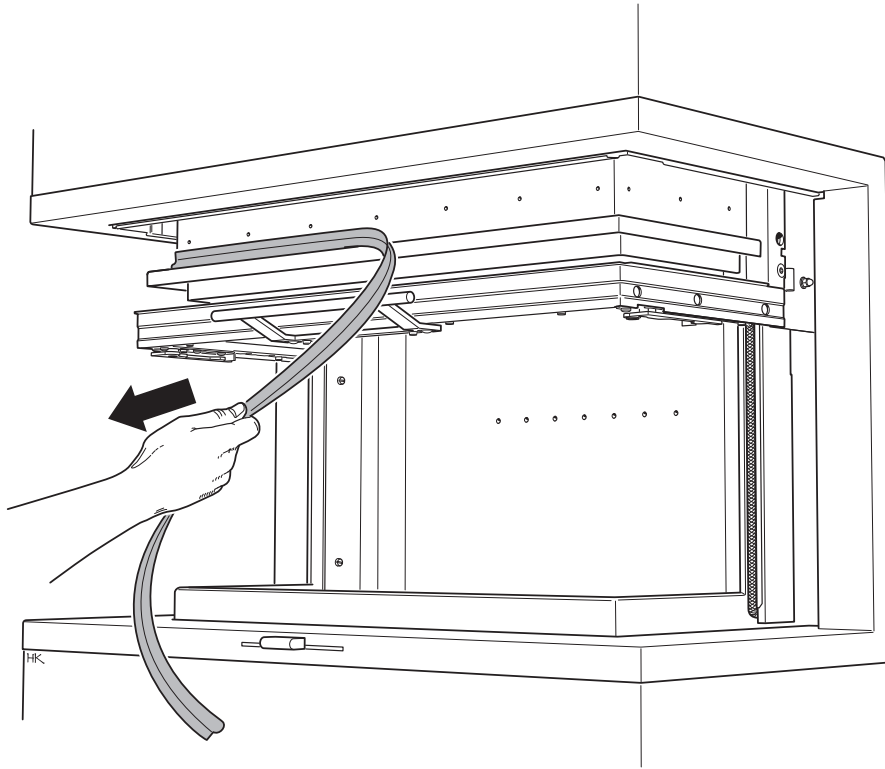
- First:
- 1 Replace side glass
 - 2 Replace front glass



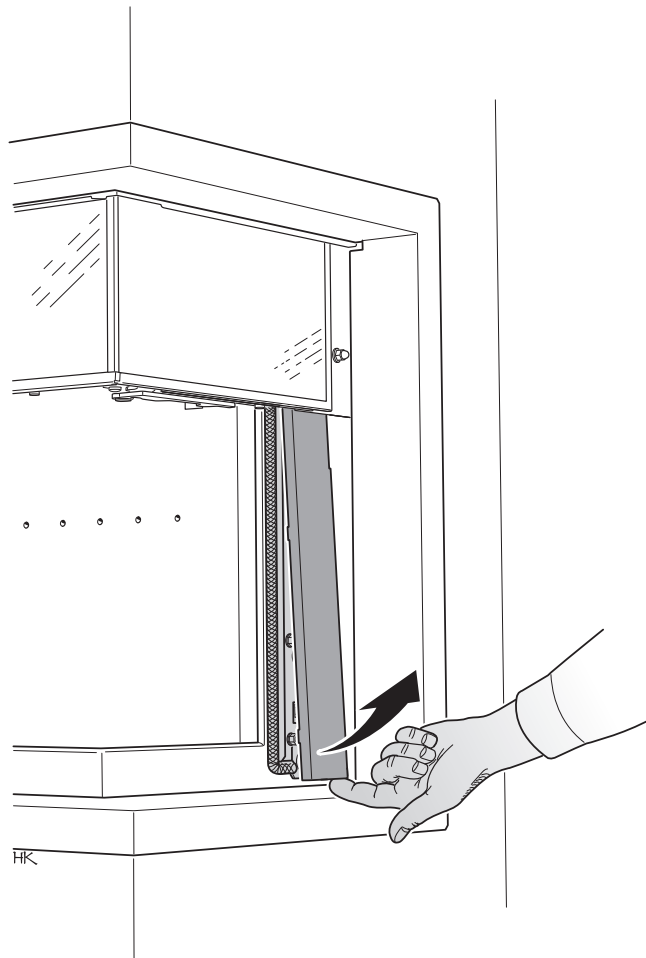
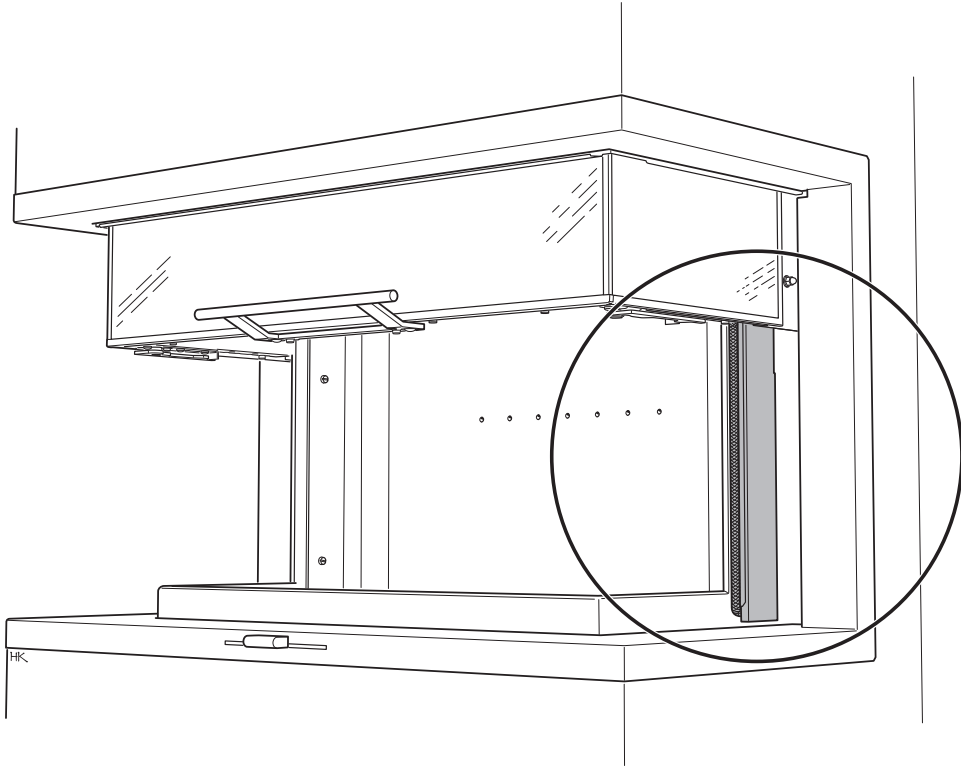


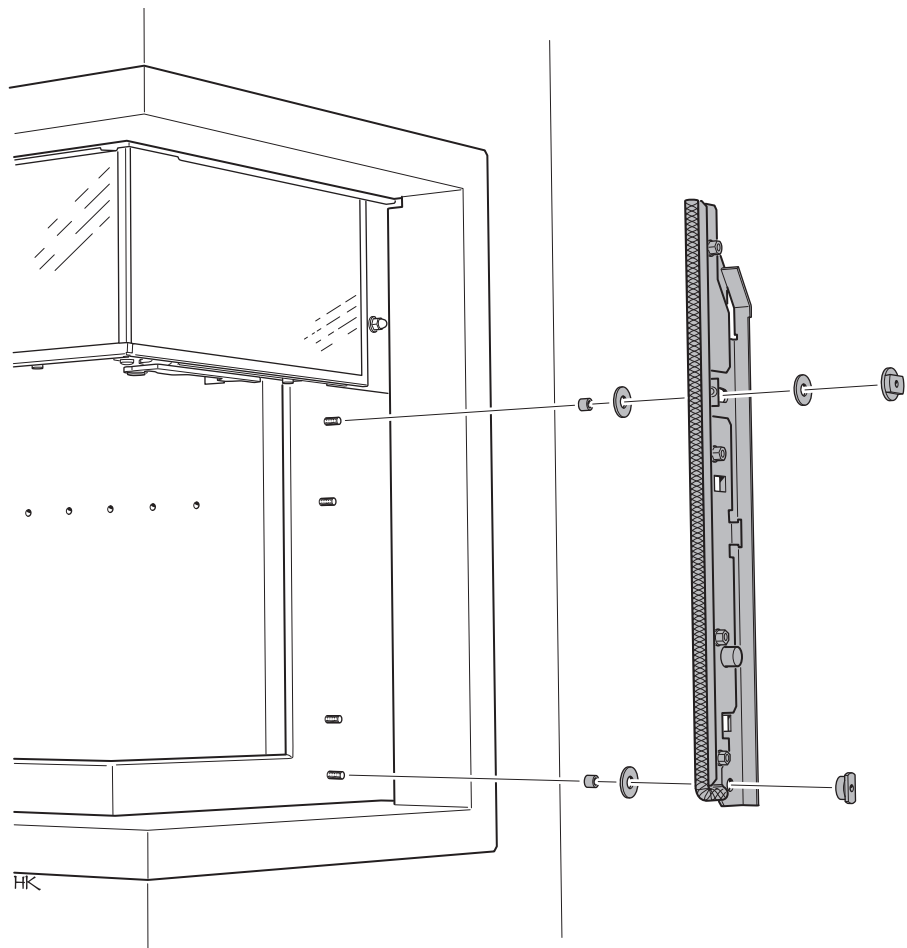
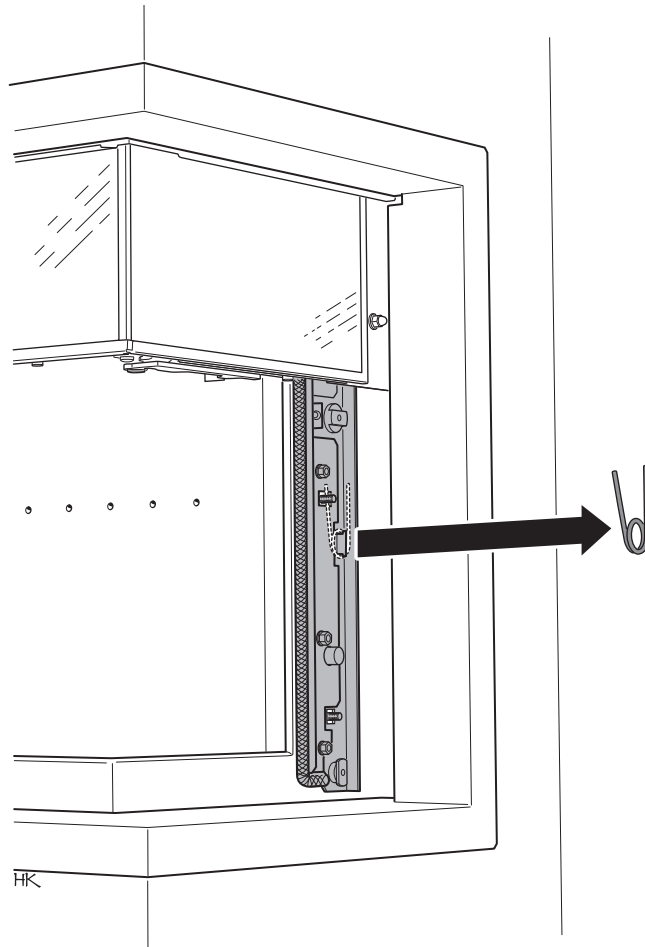




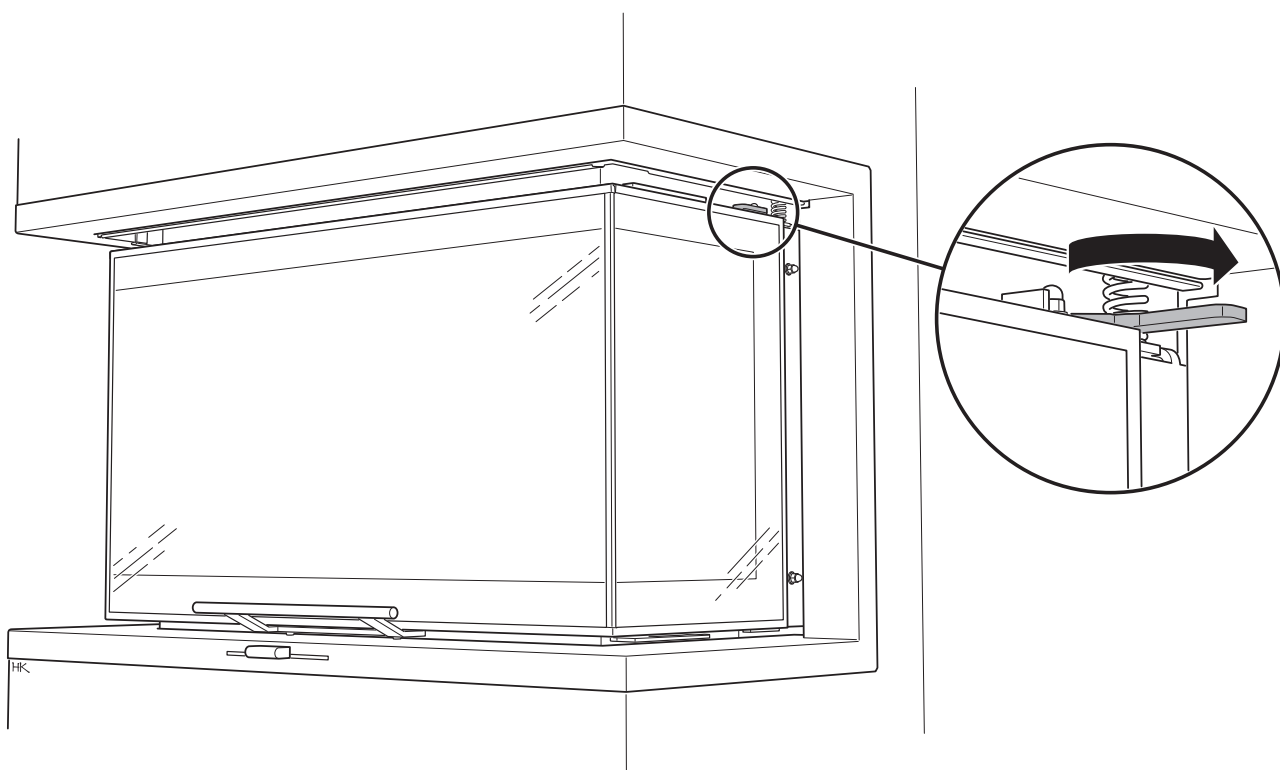
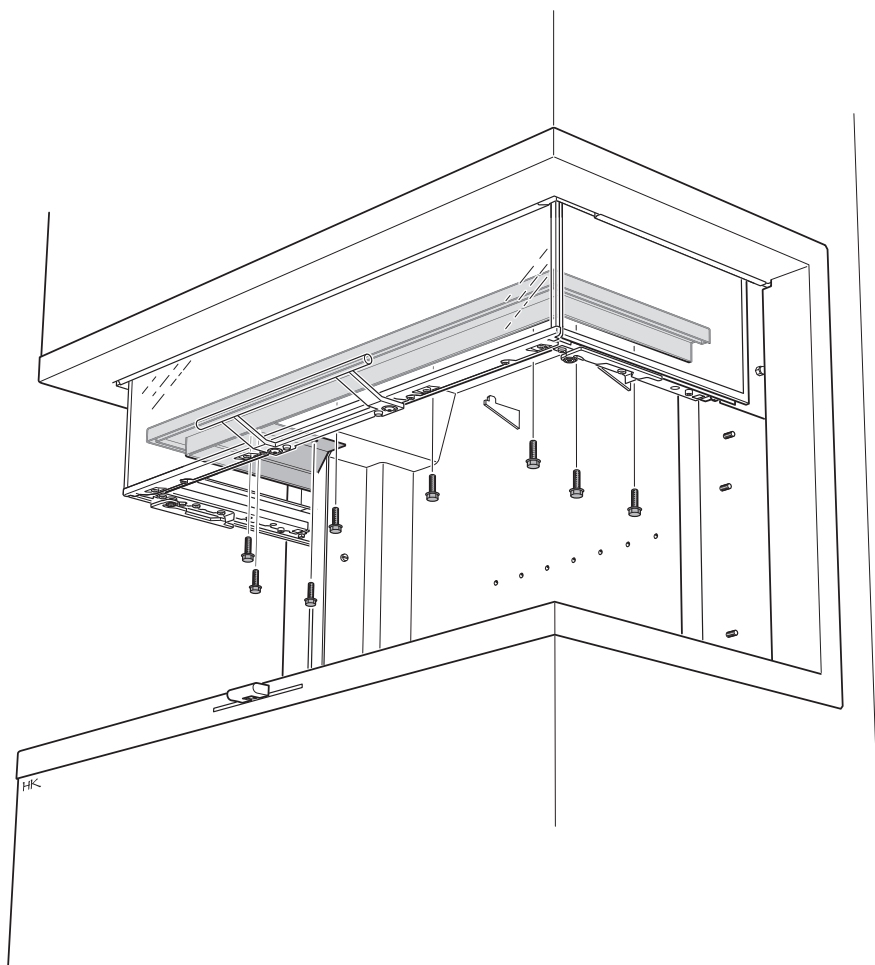


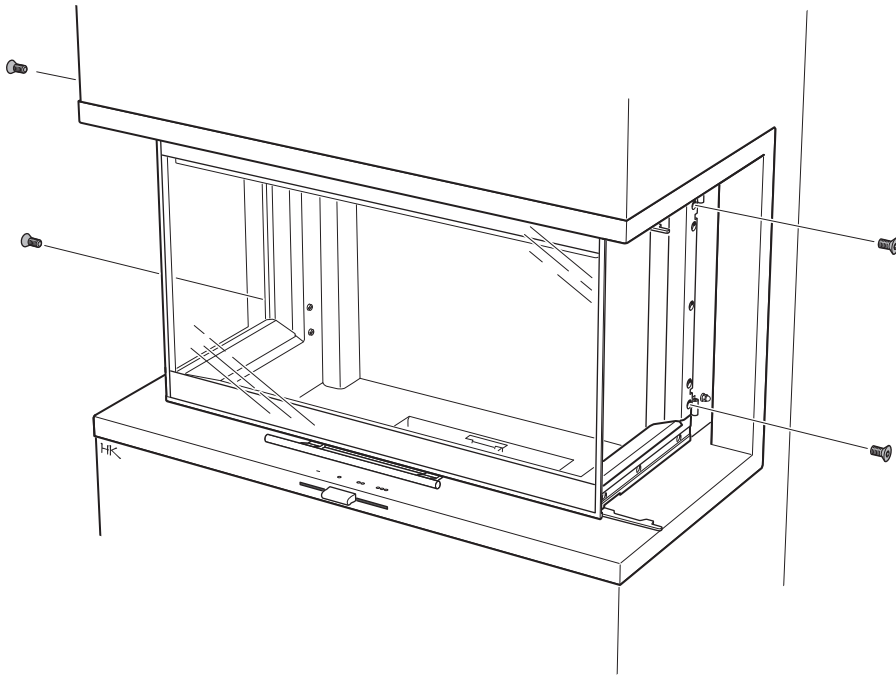
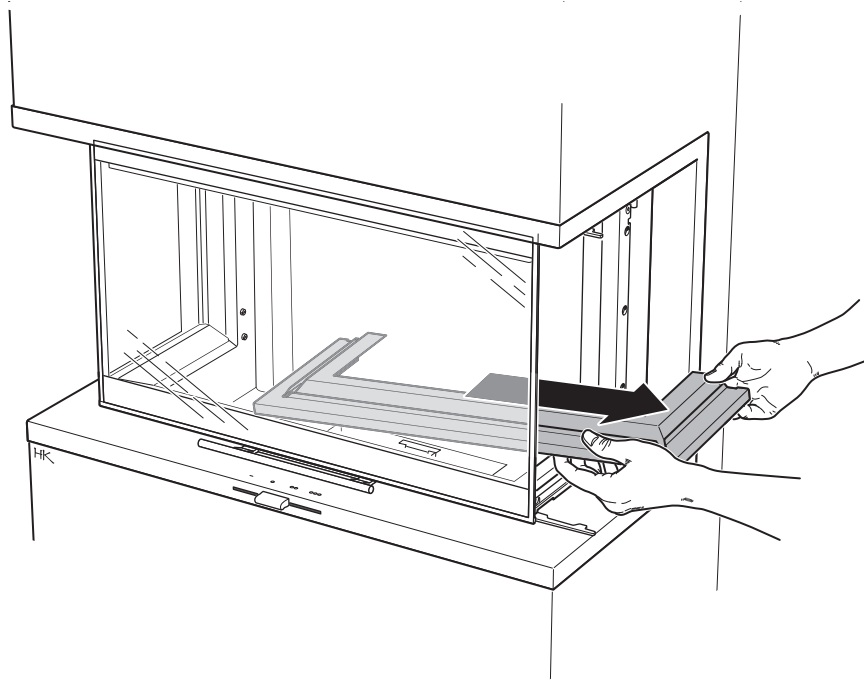
4 Replace gasket back

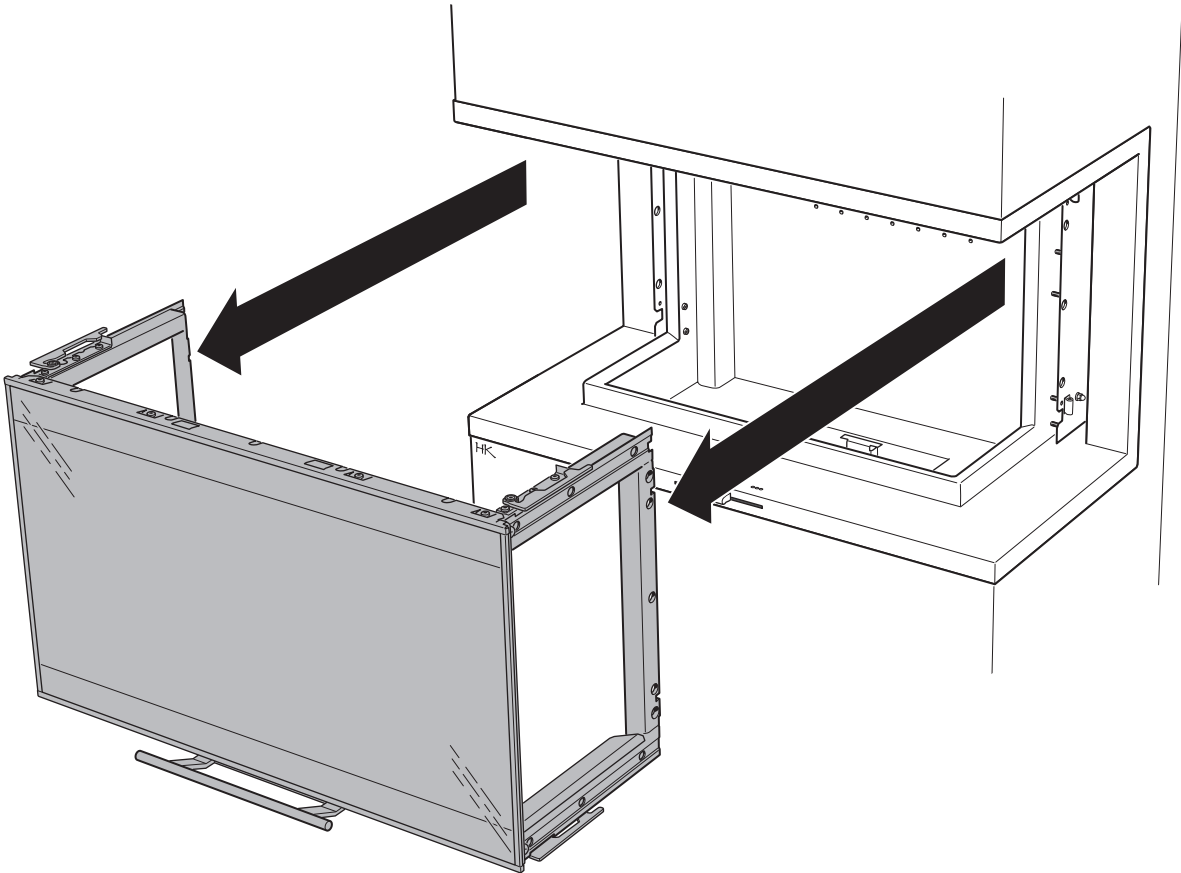




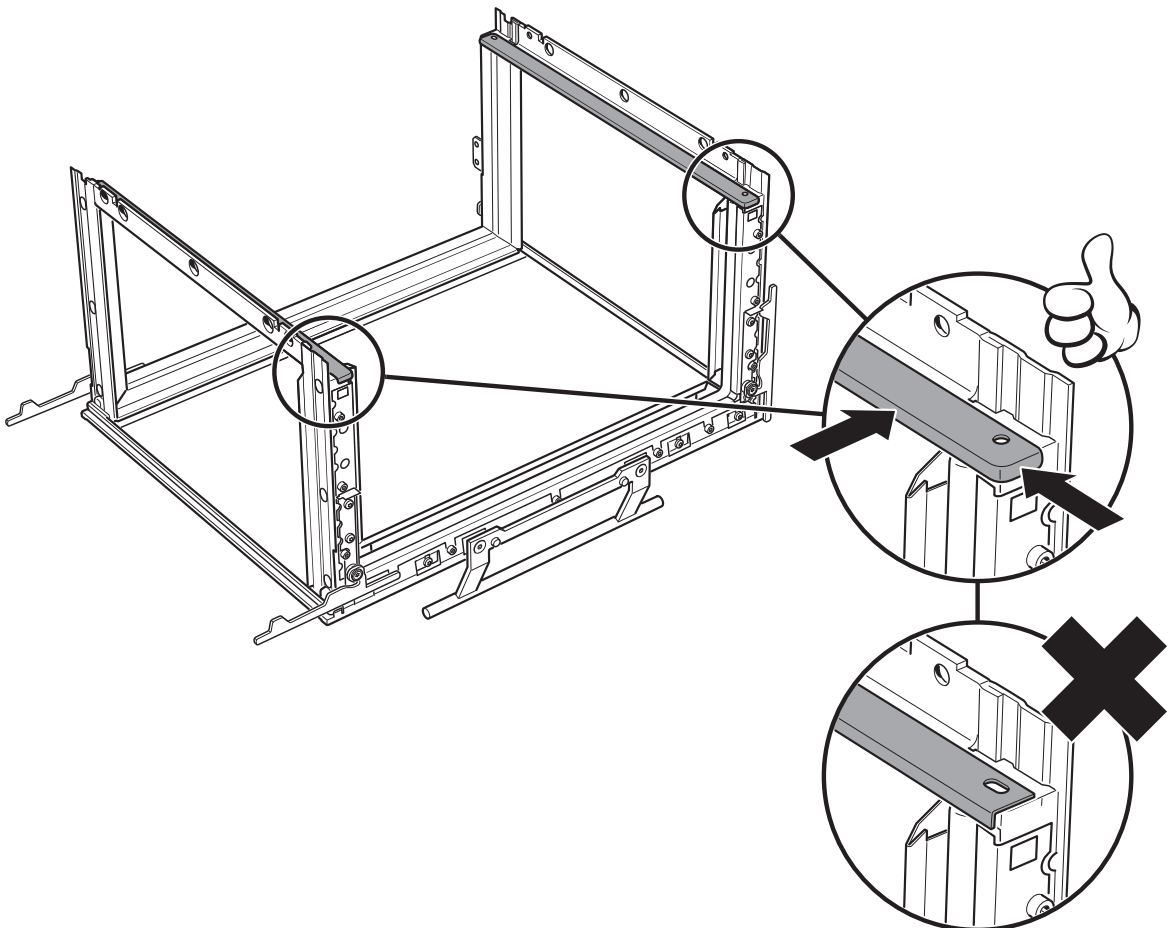
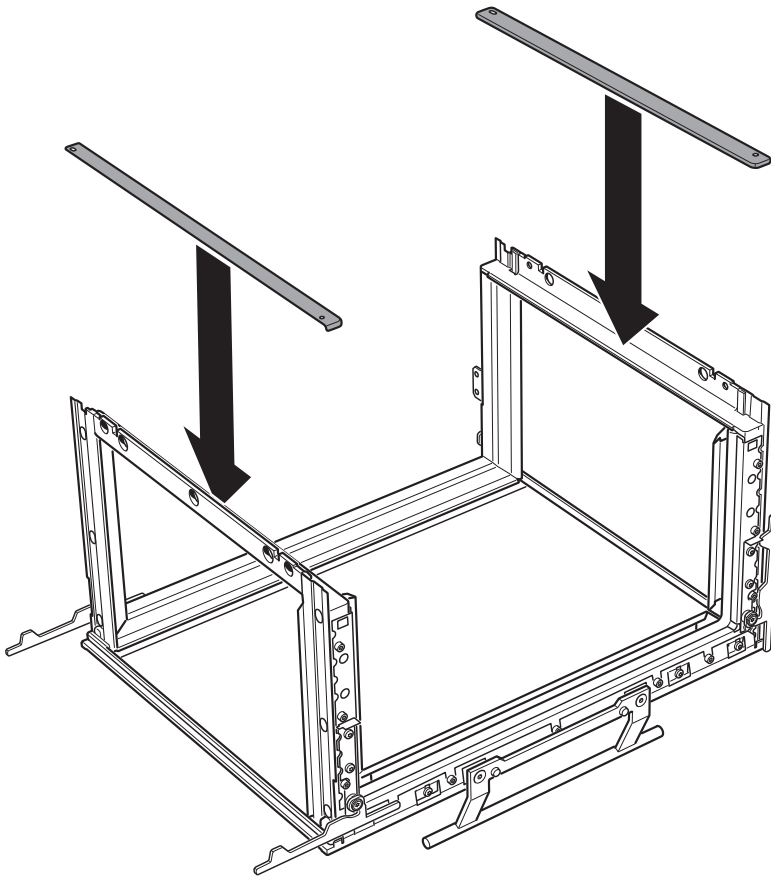
5 Replace door

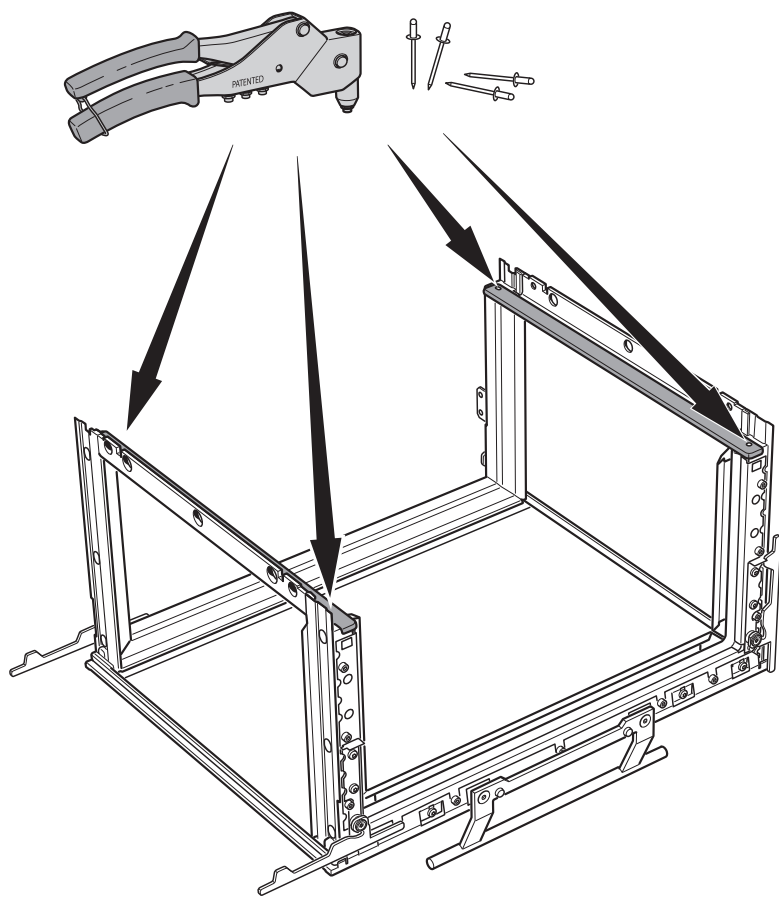
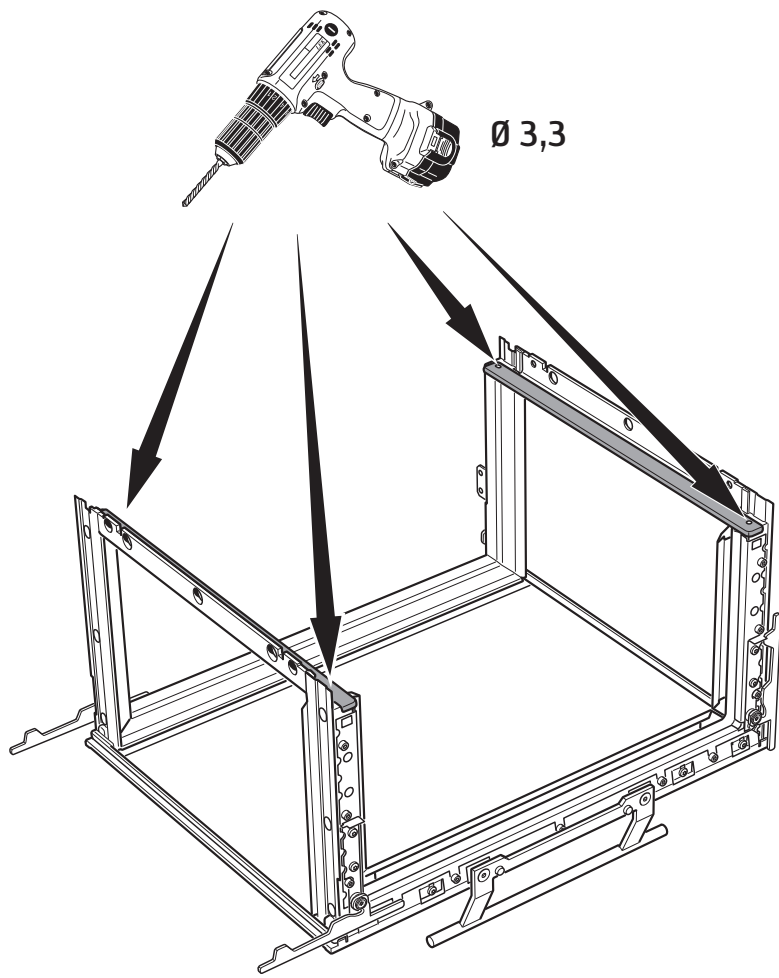






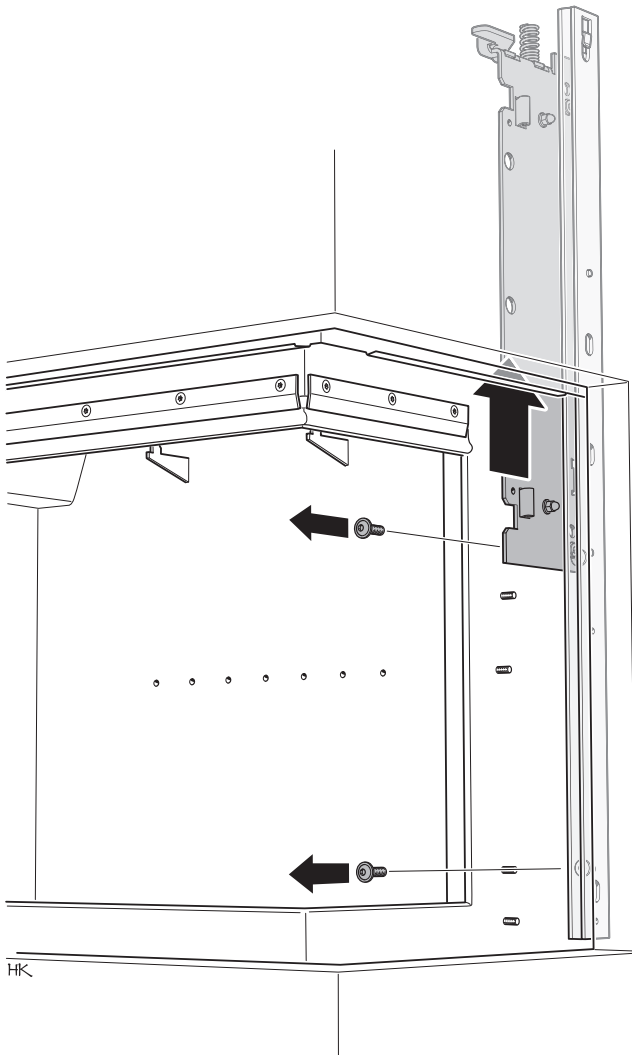
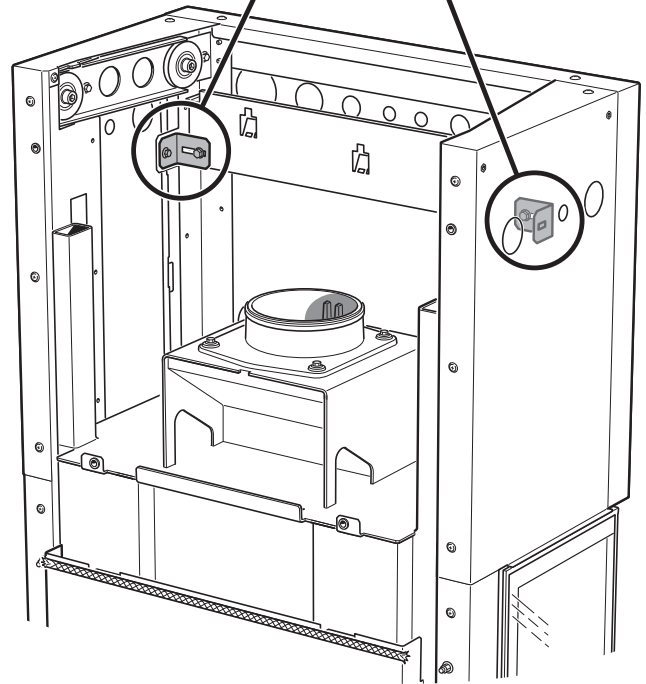
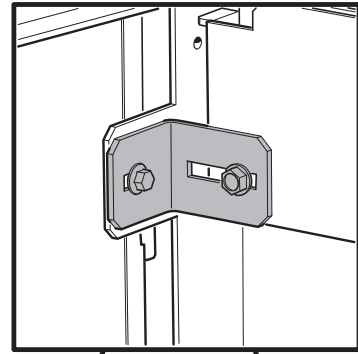
6 Assemble Door lining

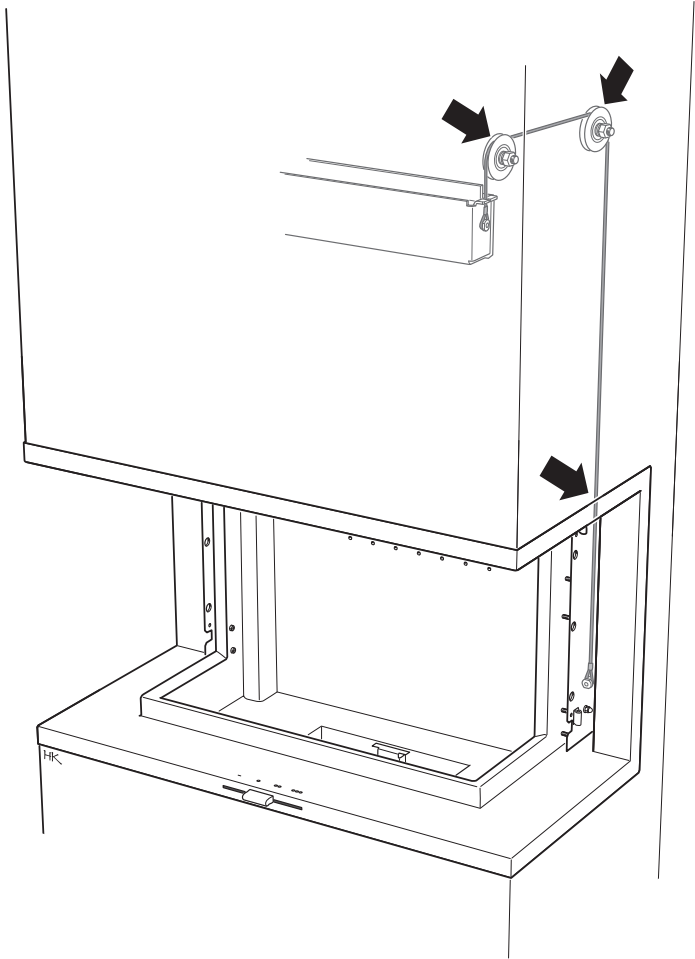
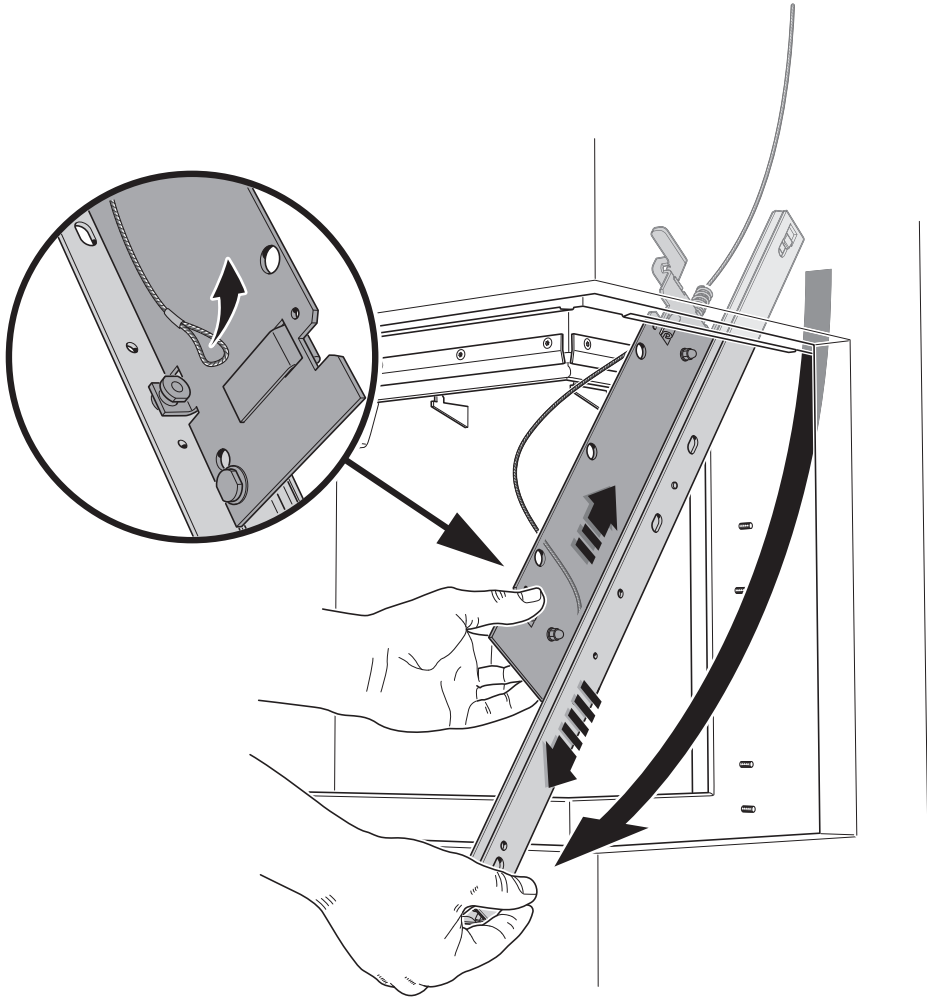


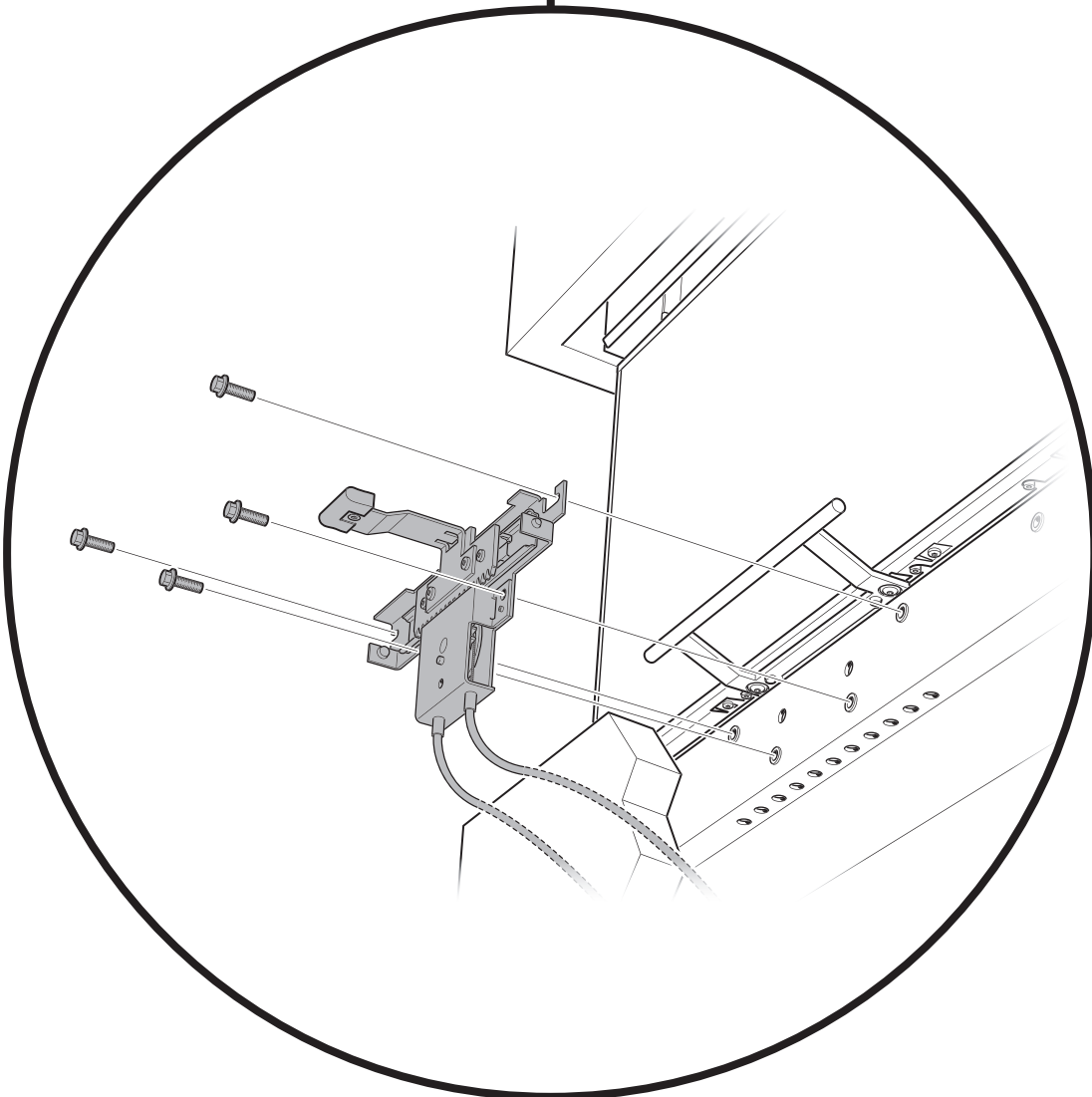
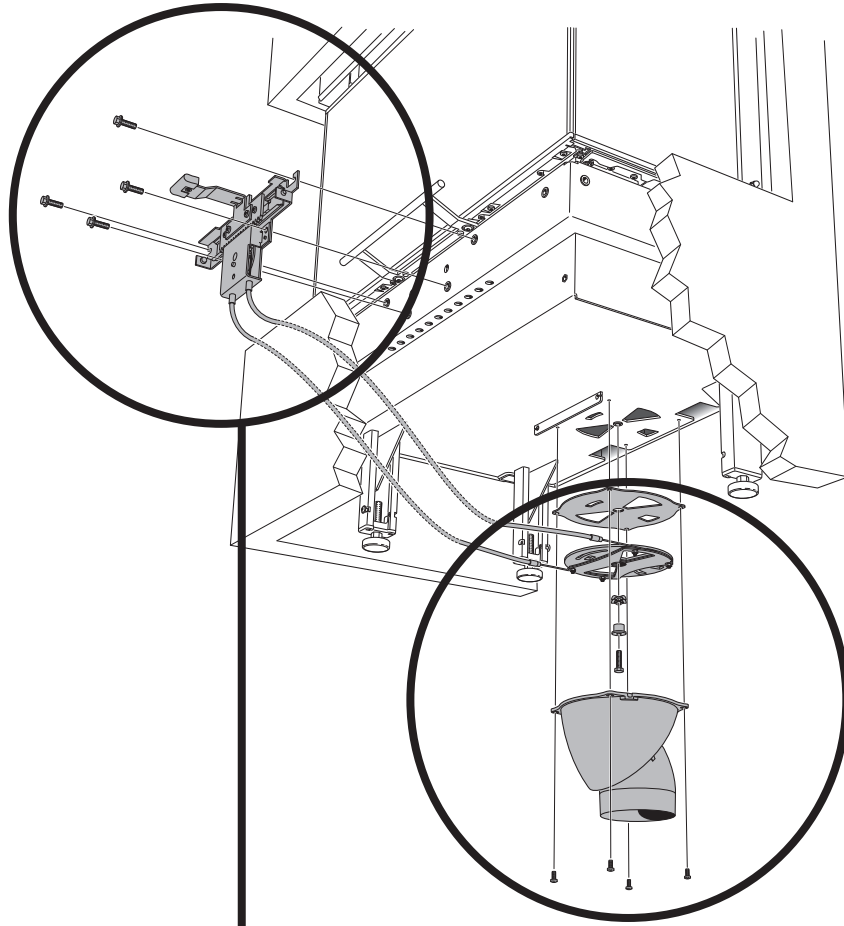


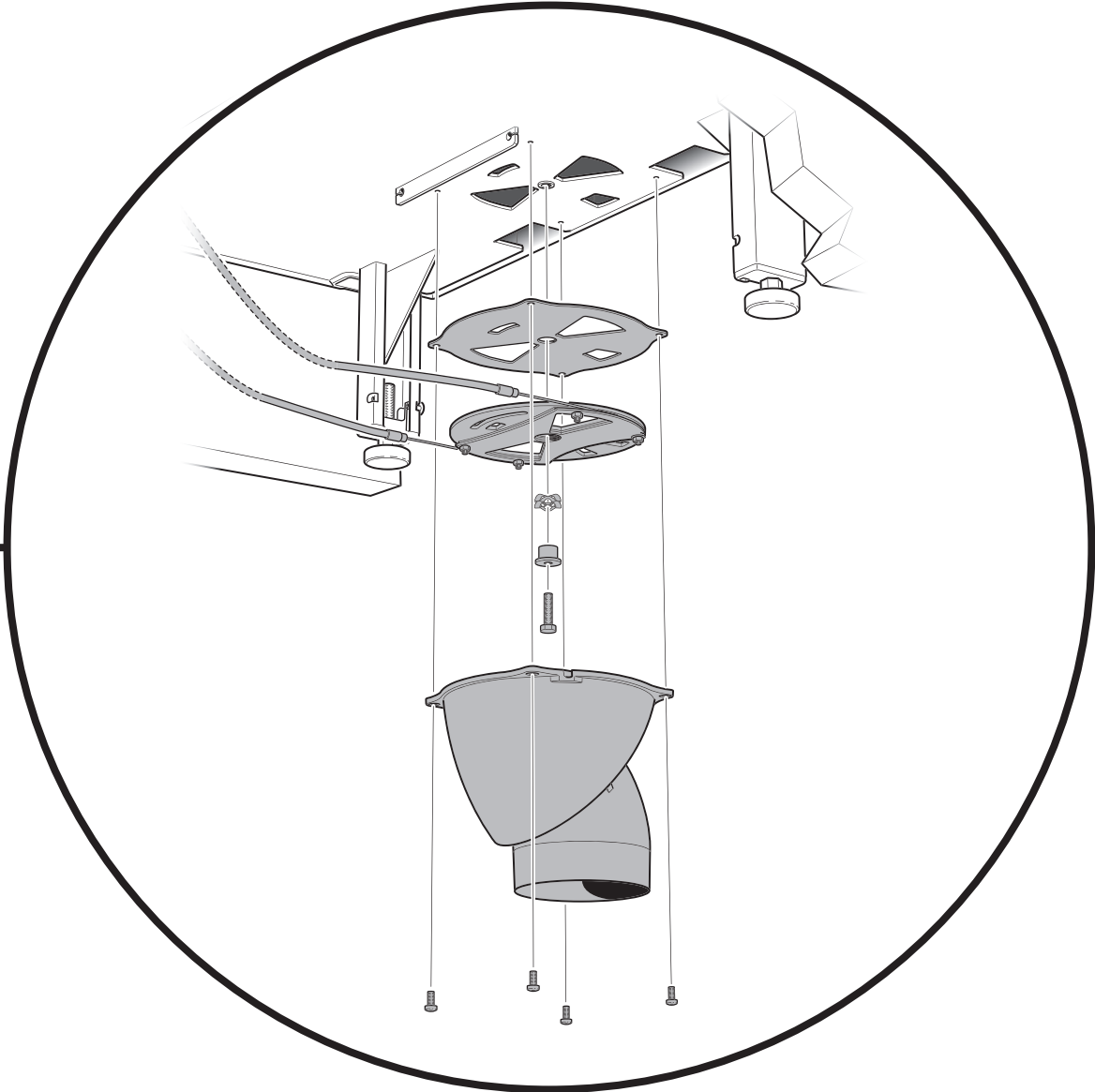
7 Replace Guillotine mechanism

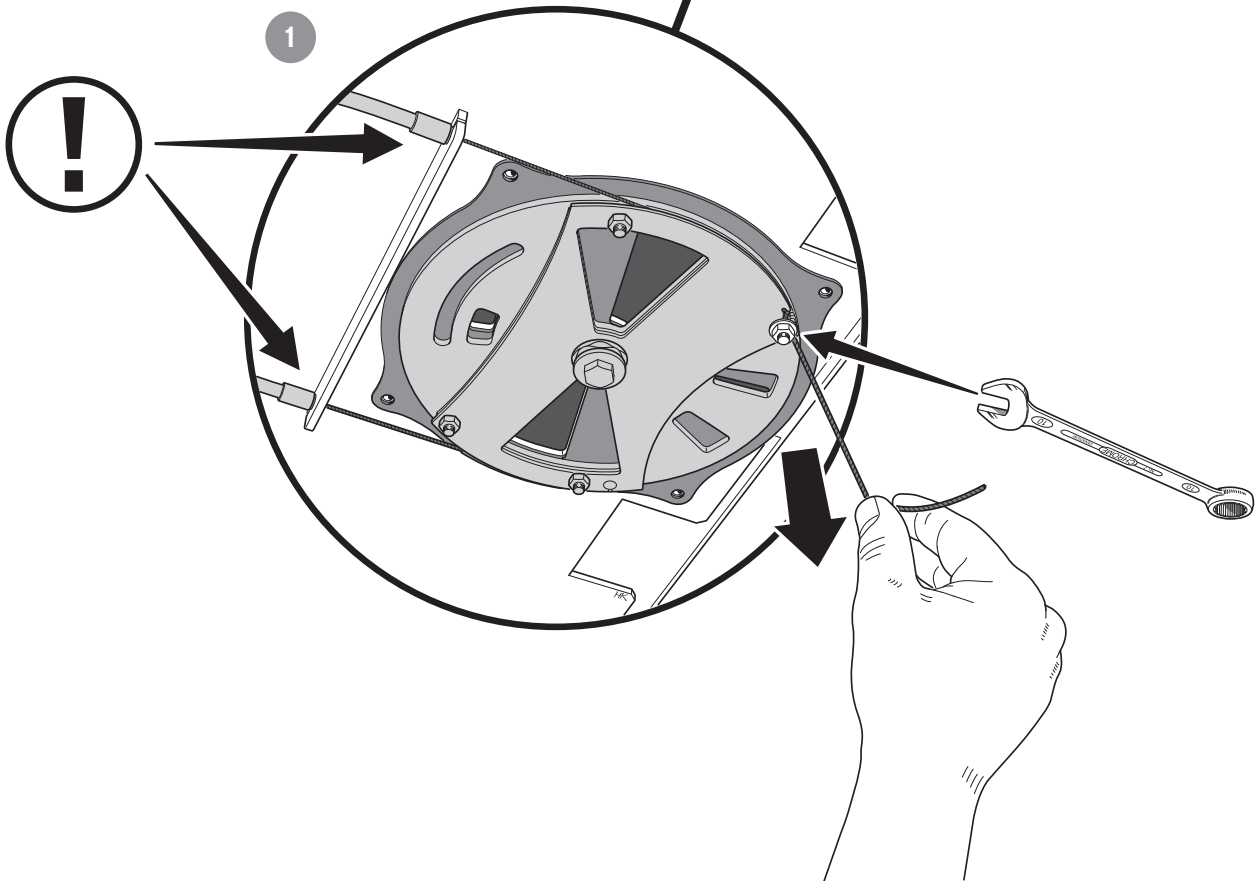
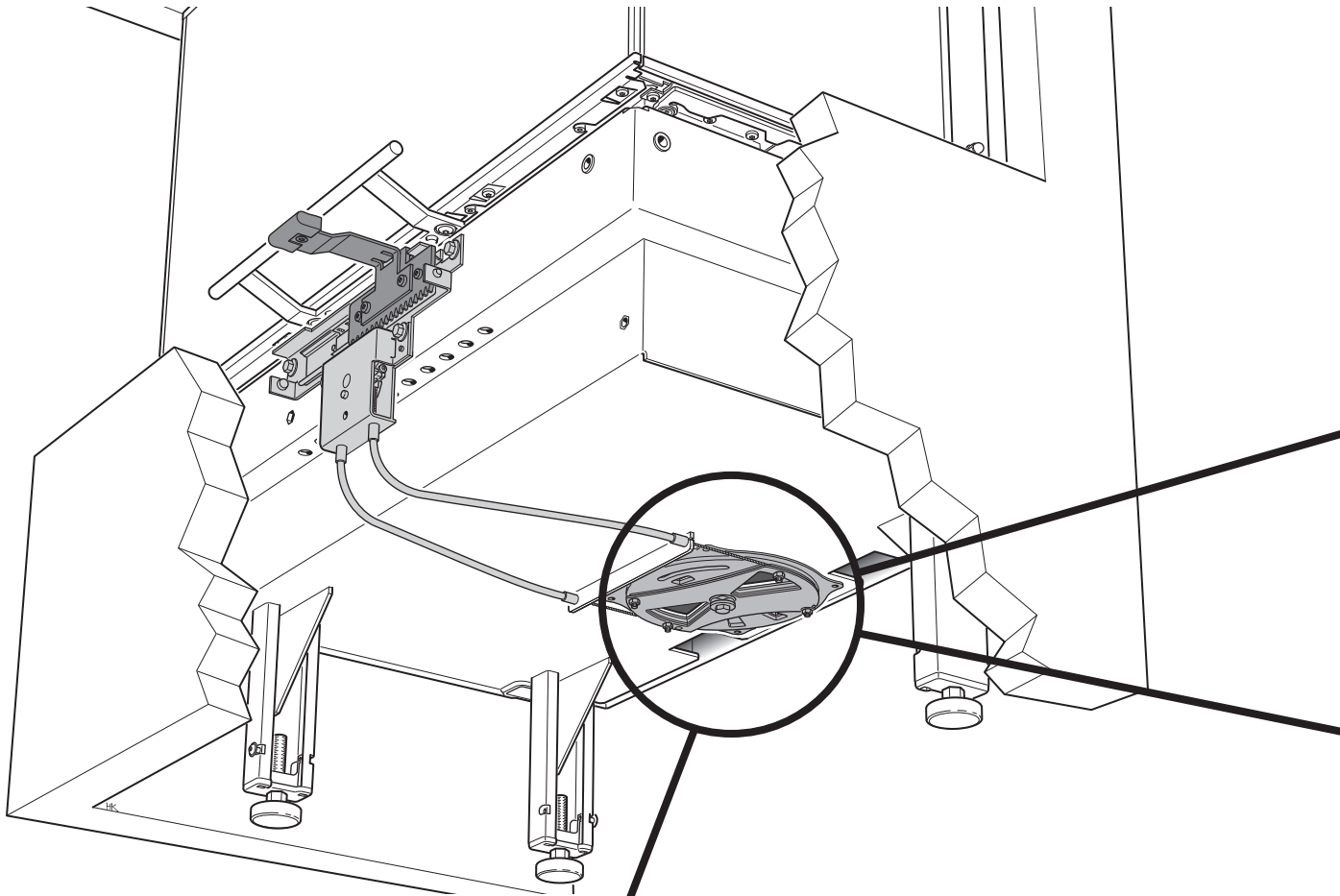
- First:
- 1 Replace side glass
 - 4 Replace gasket back
 - 5 Replace door



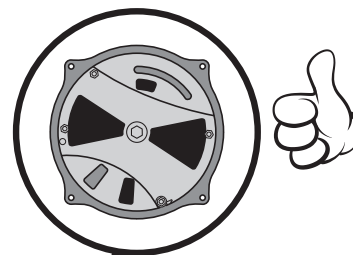
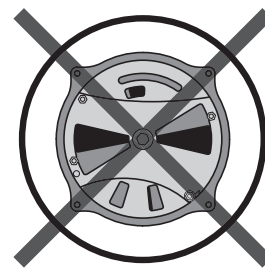
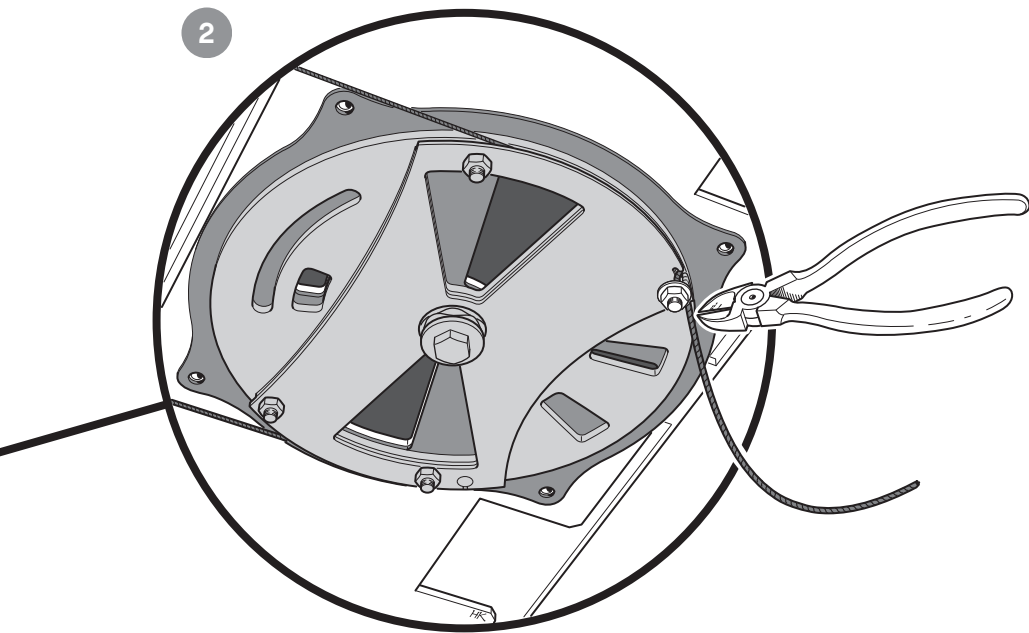


8 Replace damper

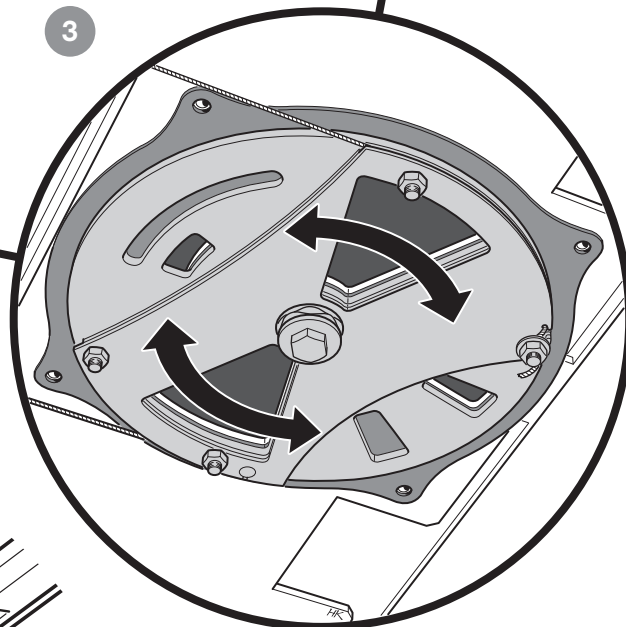




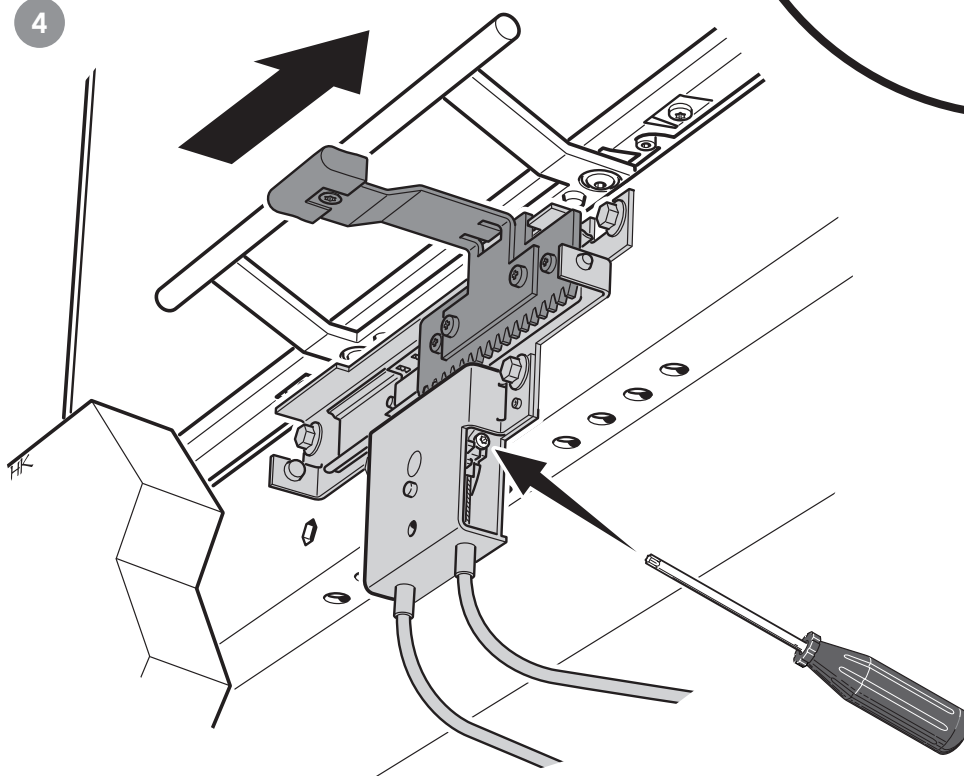
2



3



4



Contura

NIBE AB · Box 134 · SE-285 23 Markaryd · Sweden
contura.eu

Contura reserves the right to change dimensions and procedures described in these instructions at any time without special notice. The current edition can be downloaded from www.contura.eu