

Installation instruction



Ci51

Contura

Declaration of performance according
to Regulation (EU) 305/2011
No. Ci51-CPR-150821-SE-2

Contura

PRODUCT

Product type Insert lit with solid biofuels
Type designation Contura i51
Manufacturing number See rating plate on the insert
Intended area of use Heating of rooms in residential buildings
Fuel Wood

MANUFACTURER

Name NIBE AB / Contura
Address Box 134, Skulptörvägen 10
SE-285 23 Markaryd, Sweden

CHECKS

According to AVCP System 3
European standard EN 13240:2001/AC:2006, EN-13240:2001/A2:2004/AC:2007
Test institute Rein-Ruhr Feuerstätten Prüfstelle, NB 1625,
has checked declared performance and issued test report no. RRF-40 15 4068

DECLARED PERFORMANCE

Essential characteristics	Performance	Harmonised technical specification
Reaction to fire	NPD	EN 13240:2001/AC:2006, EN-13240:2001/A2:2004/AC:2007
Minimum distance to combustible material	Rear: 0 mm Side: 700 mm Follow the given conditions in the installation instructions.	
Risk of falling embers	Pass	
Emissions from combustion	CO 0,08%	
Surface temperatures	Pass	
Cleaning options	Pass	
Mechanical durability	Pass	
Emissions of hazardous substances	Pass	
Nominal output	8 kW	
Efficiency	80%	
Flue gas temperature in connector at nominal output	334°C	

The undersigned is responsible for the manufacture and conformity with the declared performance.



Niklas Gunnarsson, Business area manager NIBE STOVES
Markaryd, August 21, 2015



A warm welcome to Contura.

A warm welcome to the Contura family. We hope you will get a great deal of pleasure from your new insert. As a new owner of a Contura insert, you have secured a product with timeless design and long service life. Contura also has a combustion process that is both environmentally friendly and efficient, for the best heat production.

Read through these installation instructions carefully before installation. Read how to best light your stove in the lighting instructions.

List of Contents

Technical specifications	116
Chimney	117
Supply of combustion air	118
Installation distance	119
Placement and adjustment of the insert	121
Installing the surround	125
Assembling grate and top	133

NOTE:

Report the installation of a fireplace to your local authority.

The owner of the house is personally responsible for ensuring compliance with the mandatory safety requirements and must have the installation approved by a qualified inspector. Your local chimney sweep must also be informed about the installation as this will affect the routines for regular chimney-sweeping services.

WARNING!

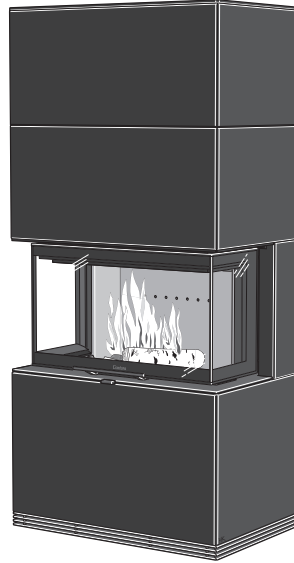
The insert becomes very hot

During operation, certain surfaces of the insert become very hot and can cause burn injuries if touched. Also, take heed of the strong heat radiated through the door glass. Placing flammable material closer than the safe distance indicated may cause a fire. Smoulder combustion can cause quick gas ignition with the risk of damage to property and personal injury.

Technical specifications

Model	i51	Log box (option)
Output	6-11 kW	
Nominal output	8 kW	
Efficiency	80 %	
Weight (kg)	210	50
Powerstone (option):	+ 100 kg	
Width (mm)	770	400
Depth (mm)	500	500
Height (mm)	1650	500

Connector diameter Ø150 mm ext.



General

This manual contains instructions about how to assemble and install the Contura i51. More information about the insert is available in the separate installation instructions.

To ensure the function and safety of the firebox, we recommend that installation is carried out by an authorised technician. Our Contura agents can recommend a suitable installer; information regarding our agents is available at www.contura.eu

Instructions for lighting are also supplied with the insert. Read them carefully and keep them safe for future use.

Application to local authority

Before installing a firebox or erecting a chimney, it is necessary for you to make an application for permission to your local authority. Ask your local authority for advice regarding regulations and the application.

Structural support

If the firebox is to be positioned on a wooden joist, a structural engineer should evaluate the load capacity of the floor. When the gross weight exceeds 400 kg, reinforcement of the wooden joists is usually necessary.

Floor plate

Due to the risk of falling embers, a flammable floor must be protected by a hearth plate. It must extend at least 300 mm all the way around. The hearth plate can consist of natural stone, concrete, metal or glass. A glass hearth plate is available as an accessory for these models.

Walls behind

If your Contura i51 is to be installed against a combustible wall, the wall must be protected by a firewall or by the integrated protective screen, which is available as an option in some markets. The following material requirements are made of the firewall: The building material must not be combustible.

The thermal conductivity coefficient λ must be a maximum of 0.14 W/mK. The thickness of the building material must always be at least 100 mm. In cases where the building material's insulation properties are given as a U-Value, this must be a maximum of 1.4 W/m²K.

List of suitable materials:

Aerated concrete	$\lambda = 0.12-0.14$
Vermiculite	$\lambda = 0.12-0.14$
Calcium silicate	$\lambda = 0.09$

Contact your chimney sweep for advice in choice of other materials. Remember that even a non-combustible wall may require protection if it is a load bearing wall or has combustible material behind it.

Chimney

The stove is type approved in accordance with EN 13240 and the values obtained are presented in the Performance declaration, external diameter of the connection is $\varnothing 150$ mm.

The firebox requires a draft in the chimney of at least -12 Pa. The draft is affected both by the length and area of the chimney, and by how well sealed it is. Minimum recommended chimney length is 3.5 m and a suitable cross-sectional area is $150\text{-}200\text{ cm}^2$ ($\varnothing 140\text{-}160$ mm). Note that a flue with sharp bends and horizontal routing reduces the draught in the chimney. The maximum horizontal flue is 1 m, on the condition that the vertical flue length is at least 5 m.

Carefully check that the chimney is sealed and that there is no leakage around soot hatches and flue connections.

Make sure that the connector gasket does not work loose when the connection pipe is placed on the connector. If further sealing material is required, heat-resistant sealant may be used.

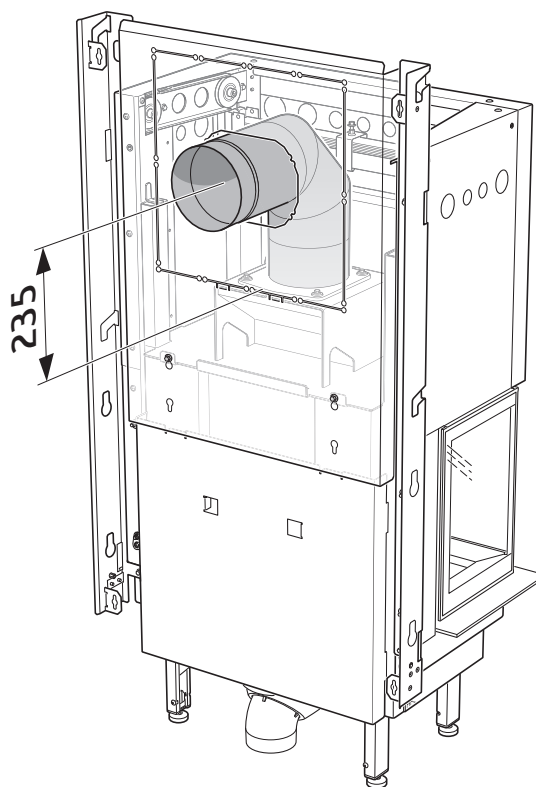
It must be possible to sweep the full length of the flue and the soot hatches must be easily accessible.

If two fireplaces are connected to the same chimney flue, the stove must be equipped with self-closing door, see insert instructions.

Rearward connection

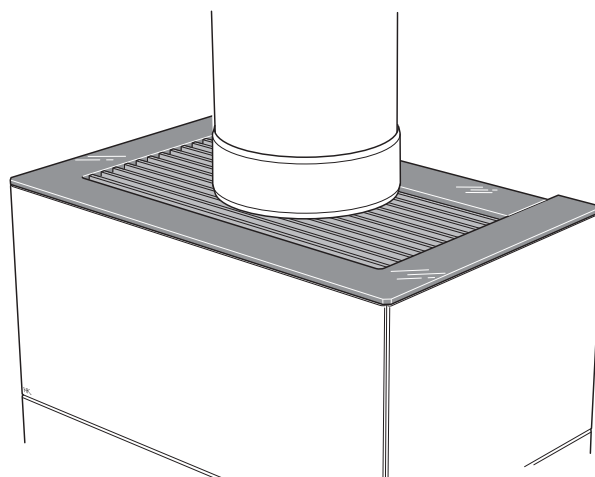
If a protective screen is selected, this must be installed before making the chimney connection.

For the rearward connection it is recommended to use a $45^\circ+45^\circ$ angle with soot hatch and with the centre 235 mm above the connector.



Top connection

Create an opening in the top grate by using the shorter grate profiles, see page 133. Cover the gap with a cuff.



Supply of combustion air

Supply of combustion must be provided. Combustion air can be provided directly via a duct from outside, or indirectly via a vent in the outer wall of the room where the stove is placed. The amount of combustion air that is used for combustion is approx. 25 m³/h.

Some installation alternatives are shown below. The air duct connection on the stove has an external diameter of Ø100 mm.



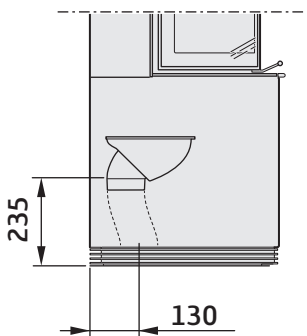
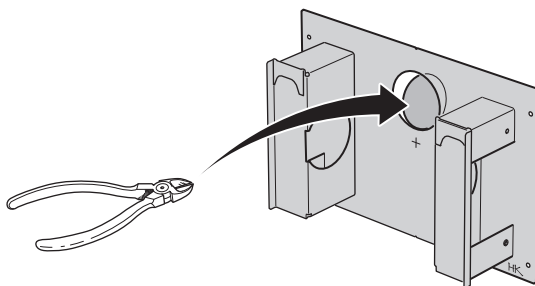
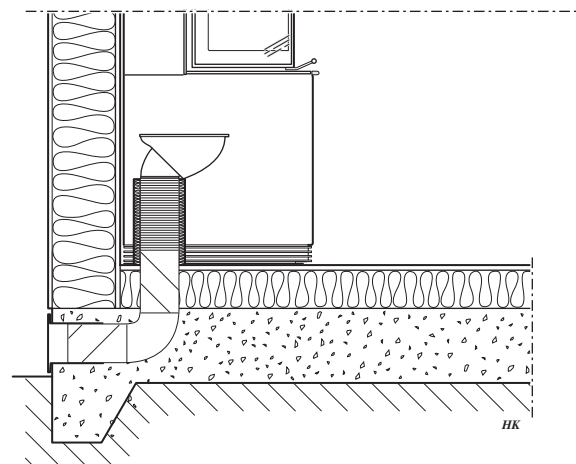
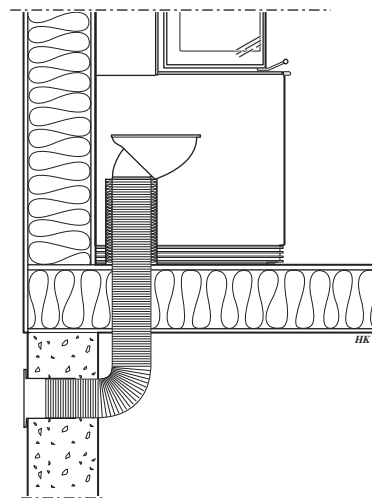
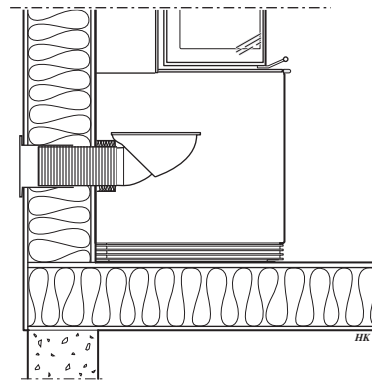
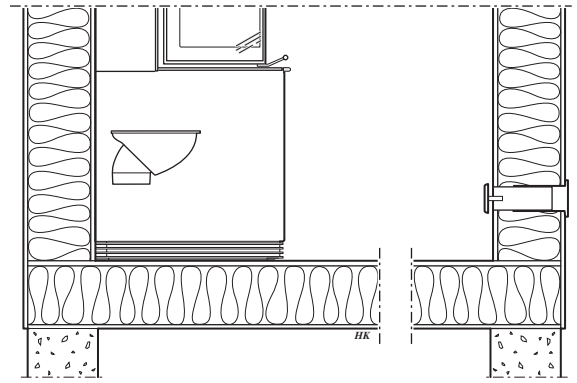
Turn the connector to ensure an air supply!

In hot areas, the duct should be insulated with 30 mm mineral wool covered with a moisture inhibitor (aluminium tape). It is important that the lead-in, between the pipe and the wall (or floor), is sealed using jointing compound.

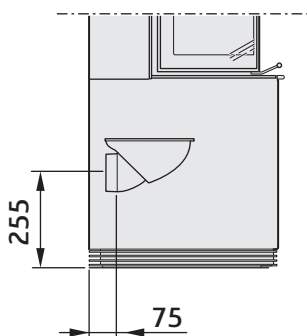
A 1 m length of condensation-insulated ducting for combustion air is available as an accessory.

Knockout

To insert the combustion air hose through the floor panel, remove the knockout.



Supply down



Supply rear

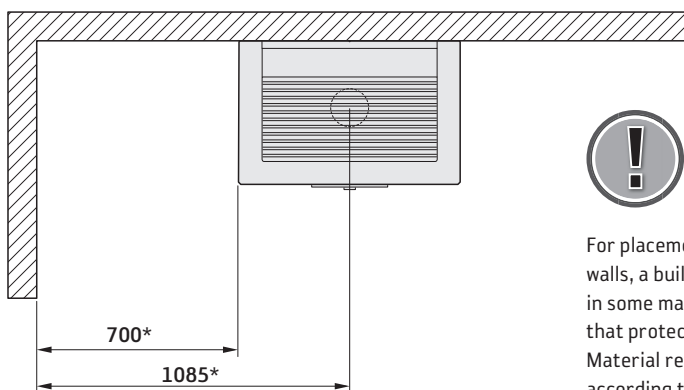
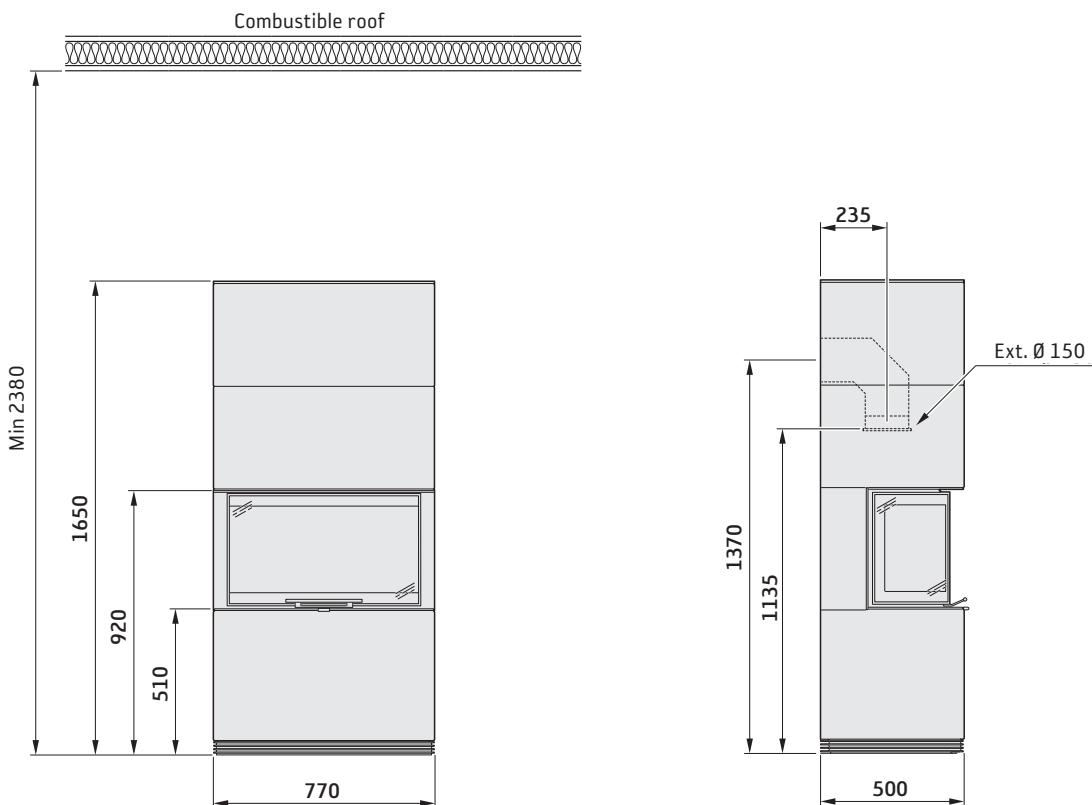
Installation distances

Ci51

Important!

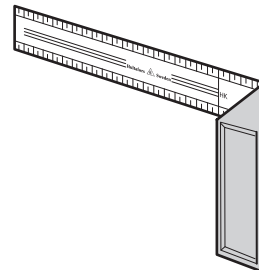
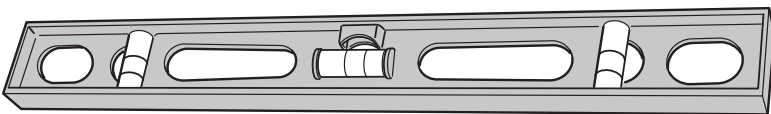
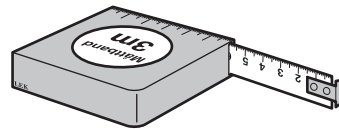
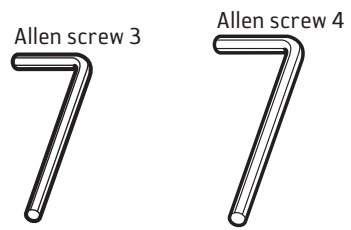
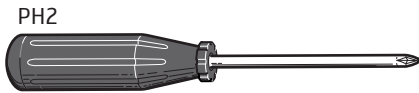
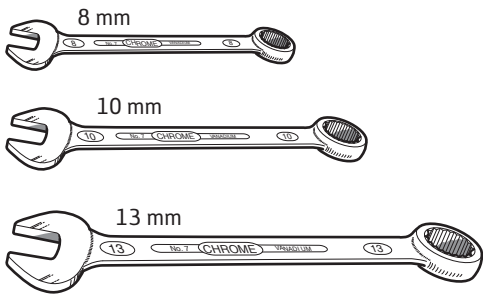
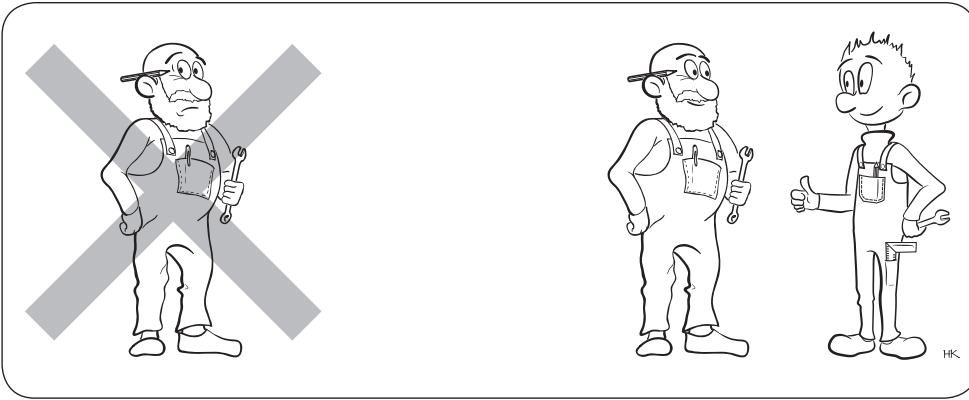
The dimension diagrams only show the minimum permitted installation distances for the stove. When connecting to a steel flue, also note the safety distance requirements of

the flue. The minimum distance to combustible parts of the building or interior decoration in front of the stove must be at least 1.5 m.




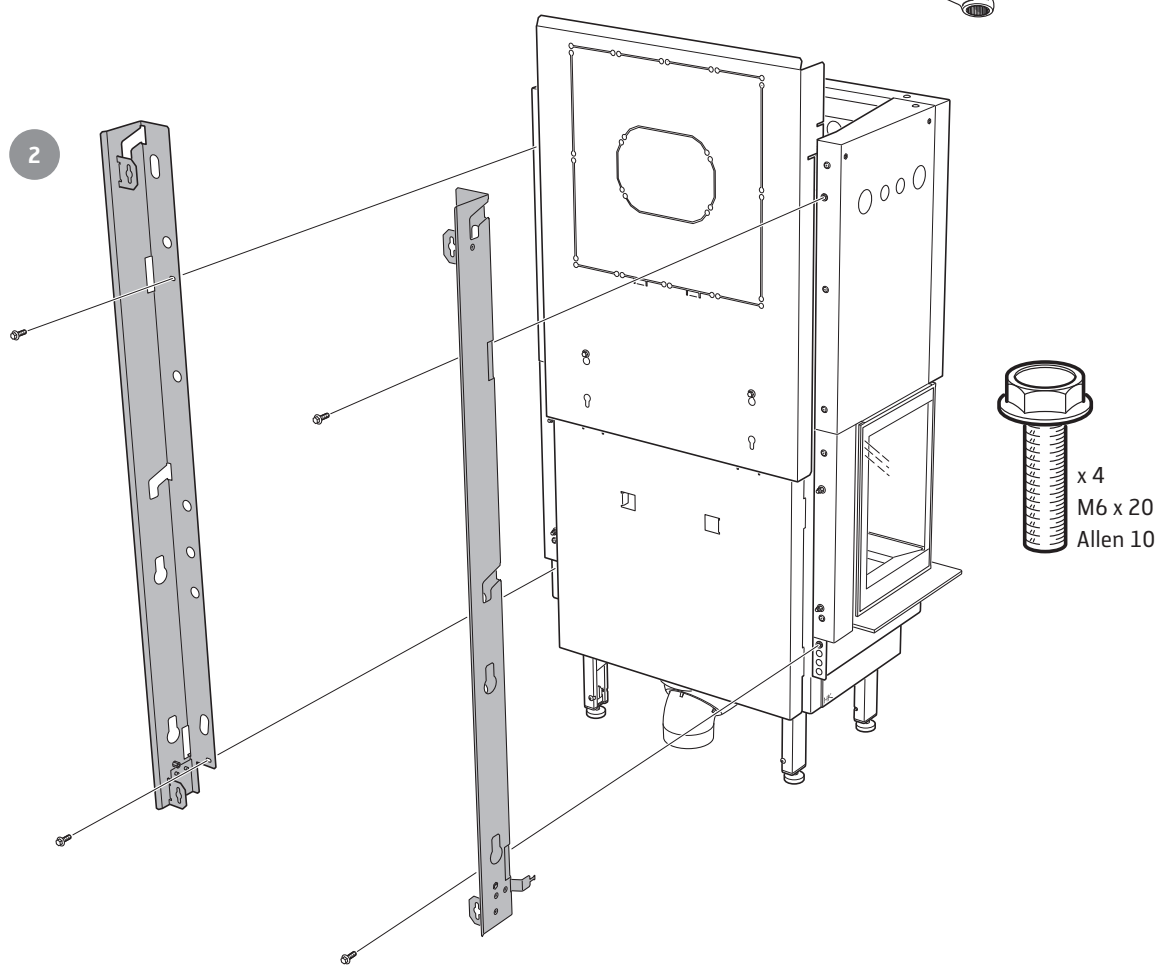
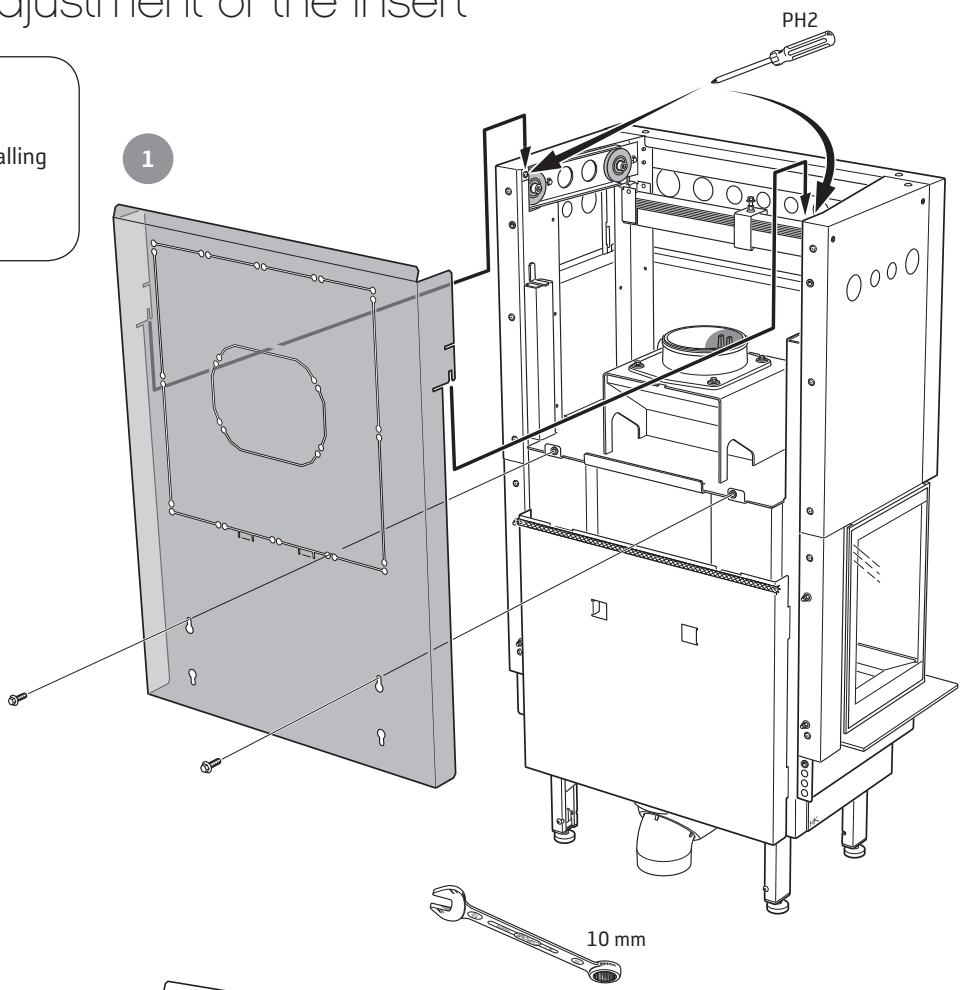
For placement against combustible rear walls, a built-in protective screen (option in some markets), or an external firewall that protects the wall behind is required. Material requirements for firewalls according to the section "Walls behind" on page 116

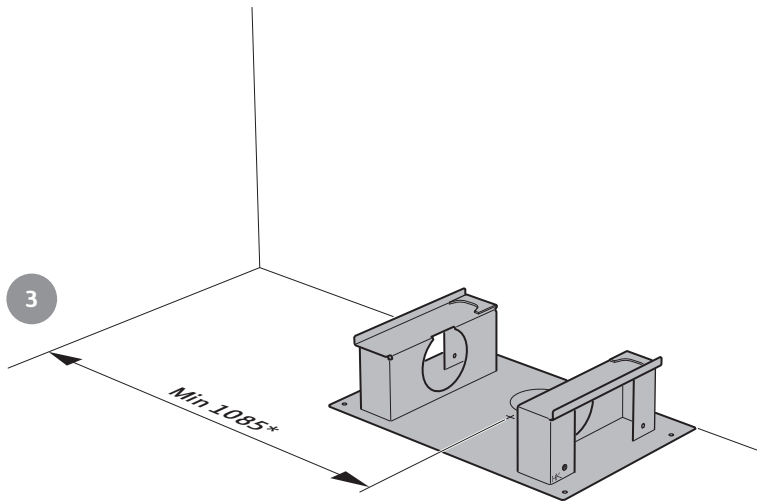
*Optional protective screen, see separate instruction



Placement and adjustment of the insert

 If the protective screen is selected – read these instructions before installing the insert or chimney.





The cross in the floor panel indicates the location of the flue gas output.

Position the floor section and check that the minimum permitted distance to combustible material is kept. Measure to the centre of the floor section.

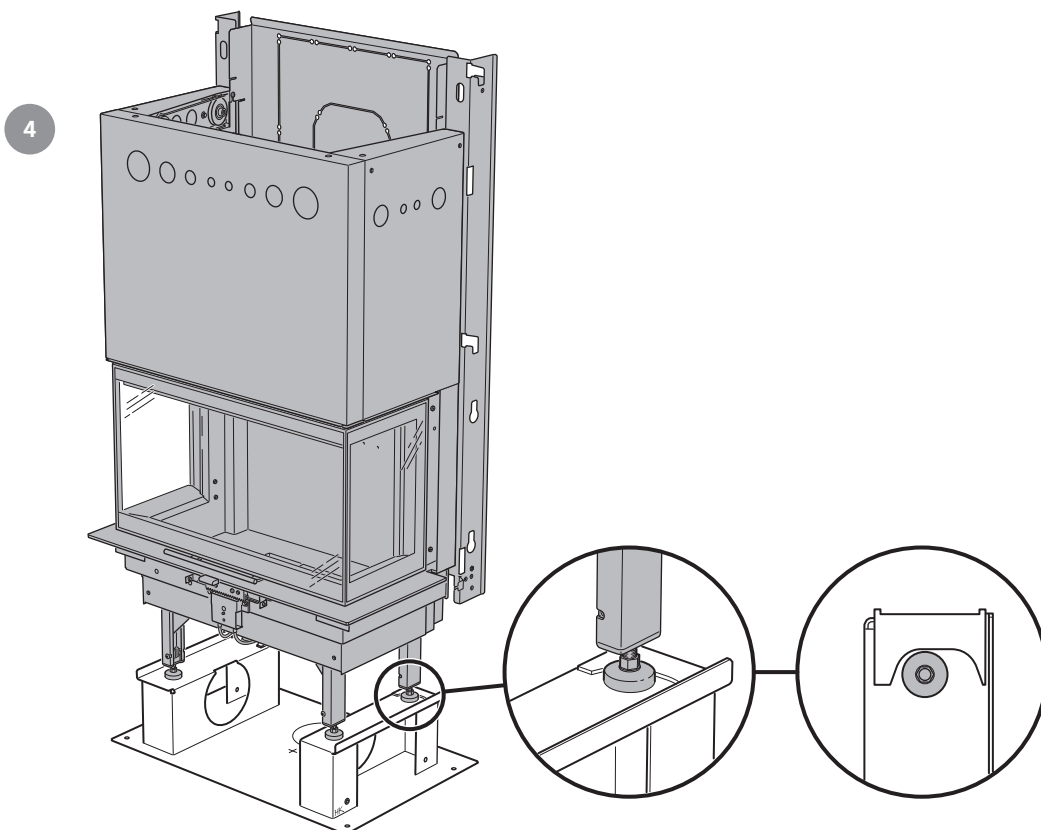
The rear edge of the floor section will align with the complete rear edge of the surround.

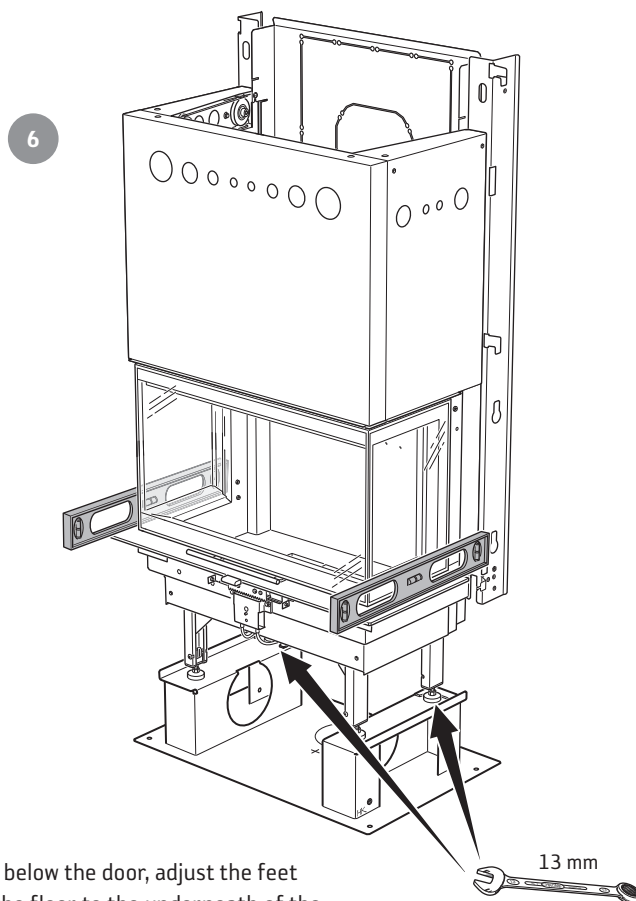
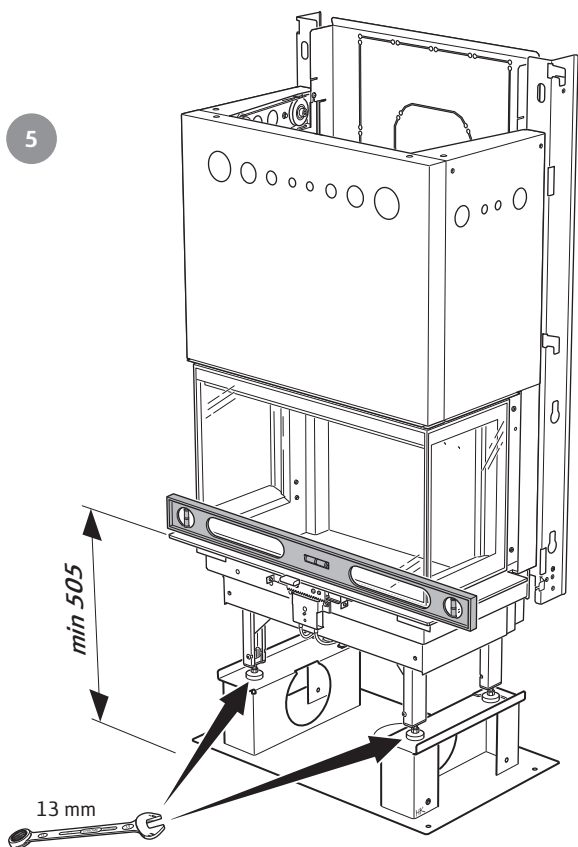
*Optional protective screen, see separate instruction



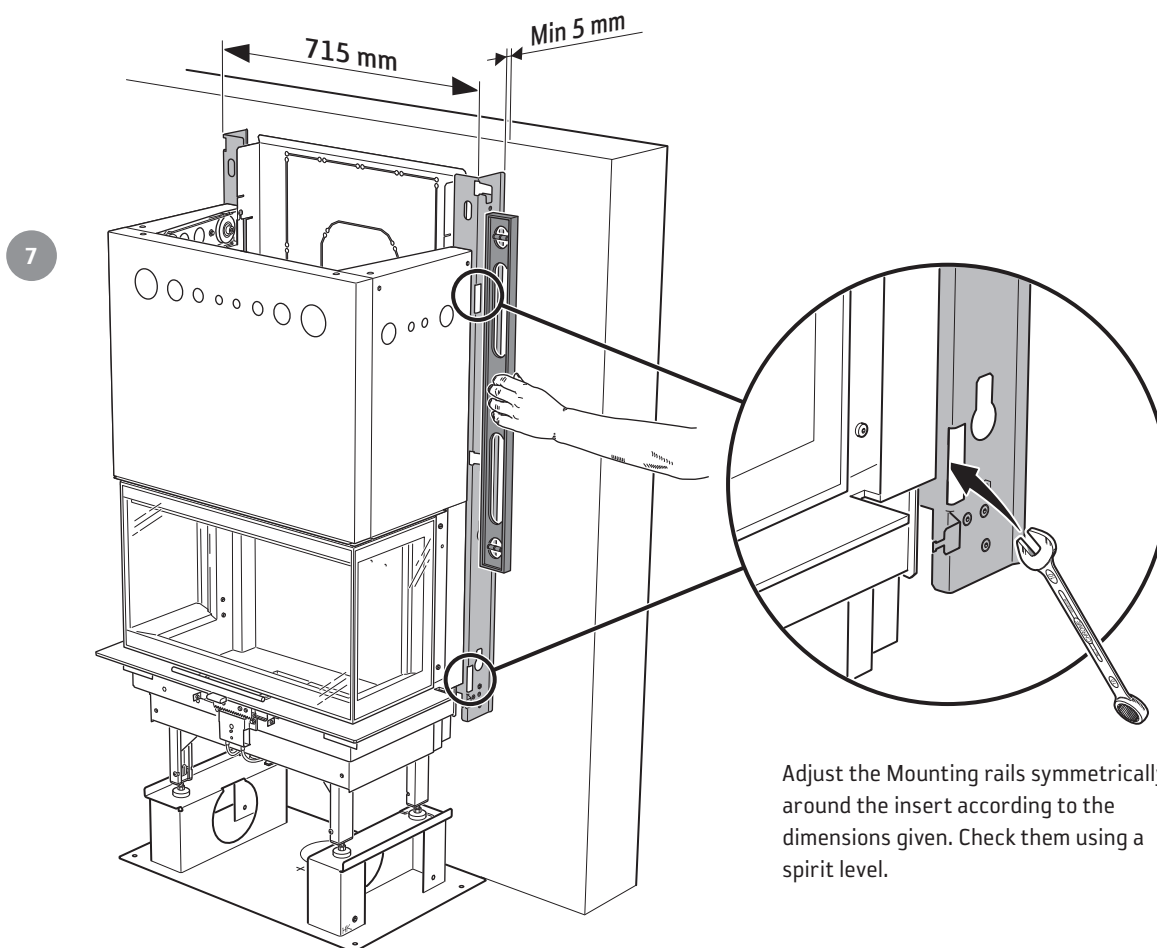
The stove can be positioned tight to the wall behind.

When installing against non-vertical walls and to facilitate installation it is recommended that a small gap is left between the wall and stove. Lay the floor section a slight distance from the wall behind, and align the position of the holes in the ceiling for the chimney lead-in with the same dimensions.

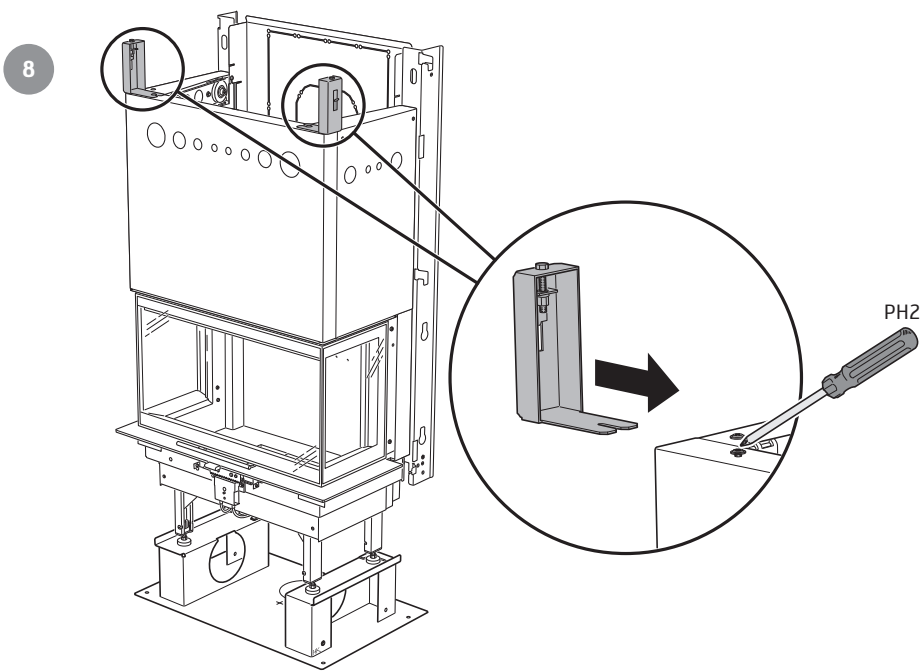




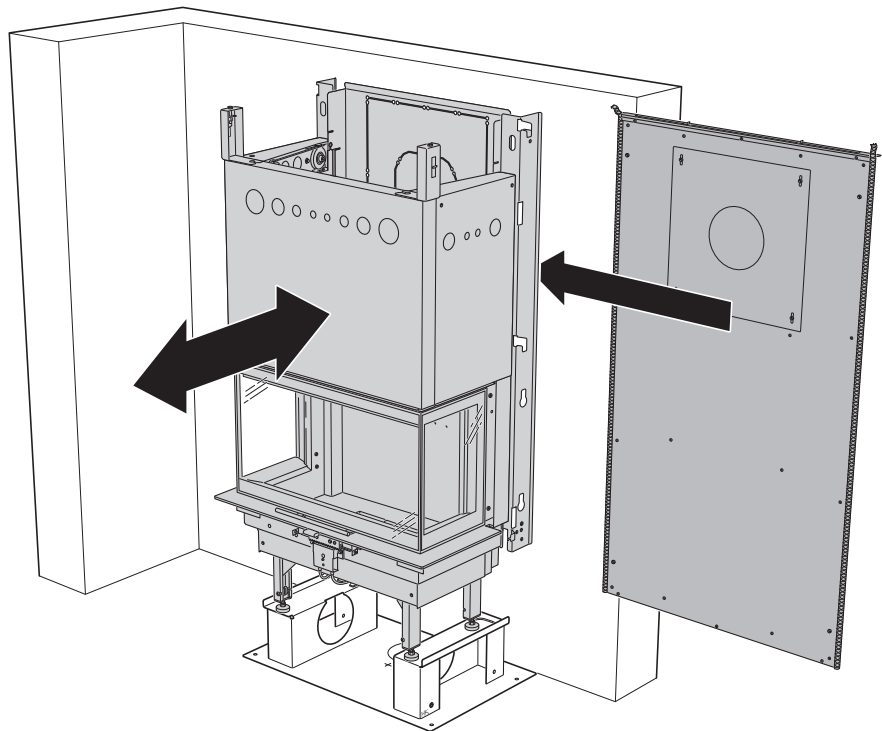
Place a spirit level on the moulding below the door, adjust the feet until the smallest dimension from the floor to the underneath of the moulding is 505 mm all the way around. Move the spirit level to the sides and check that it is straight.



Adjust the Mounting rails symmetrically around the insert according to the dimensions given. Check them using a spirit level.



9



The protective screen must be installed before the chimney.

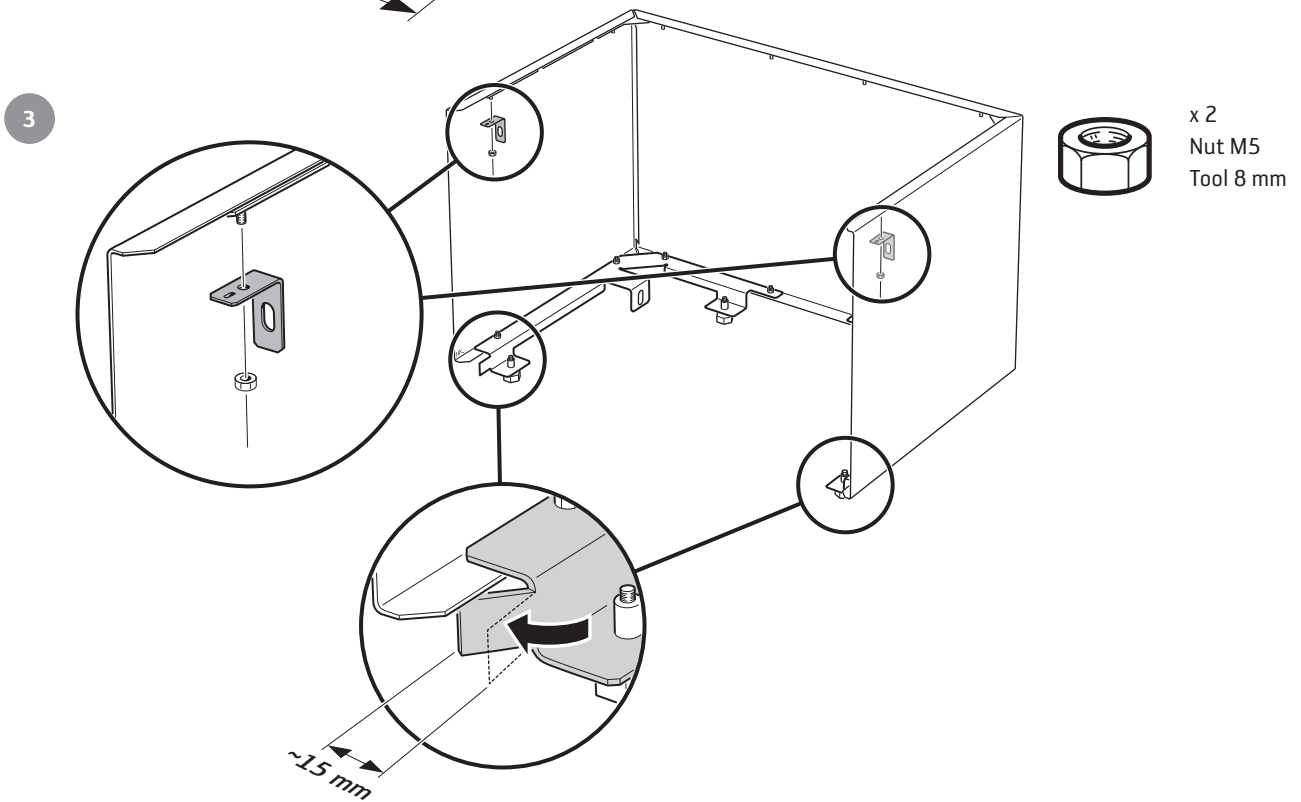
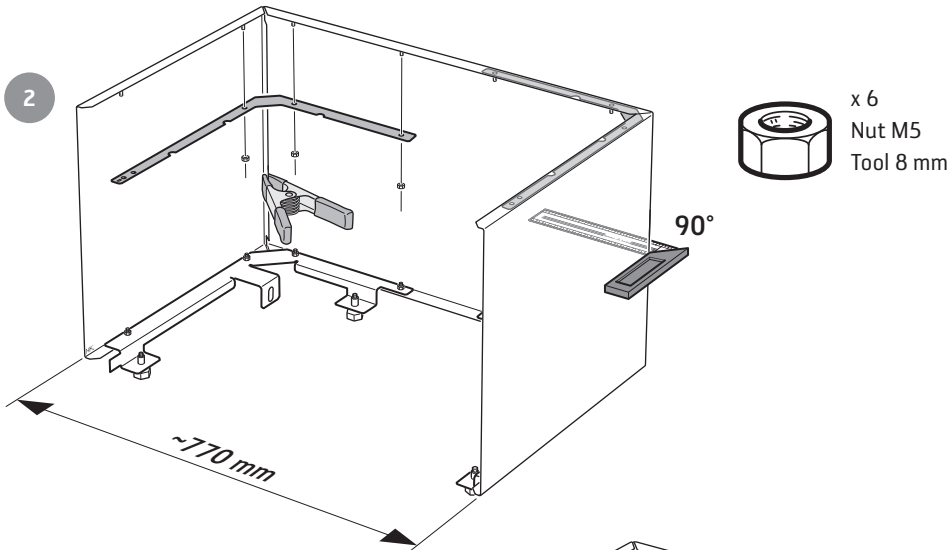
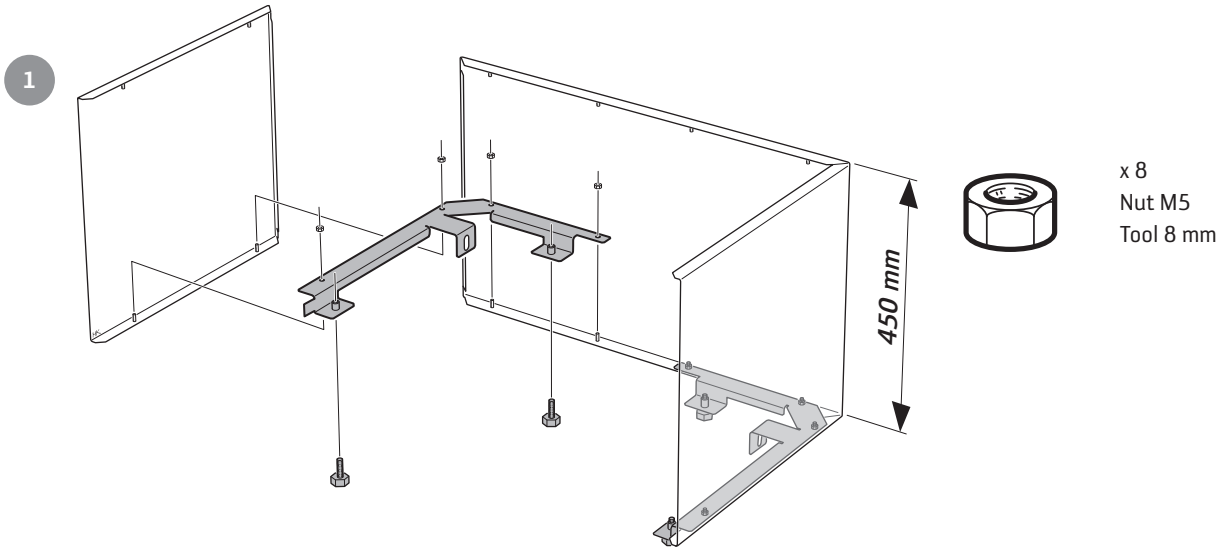


Check that the transport locking device of the counterweight is removed according to the insert instructions before assembling the surround.

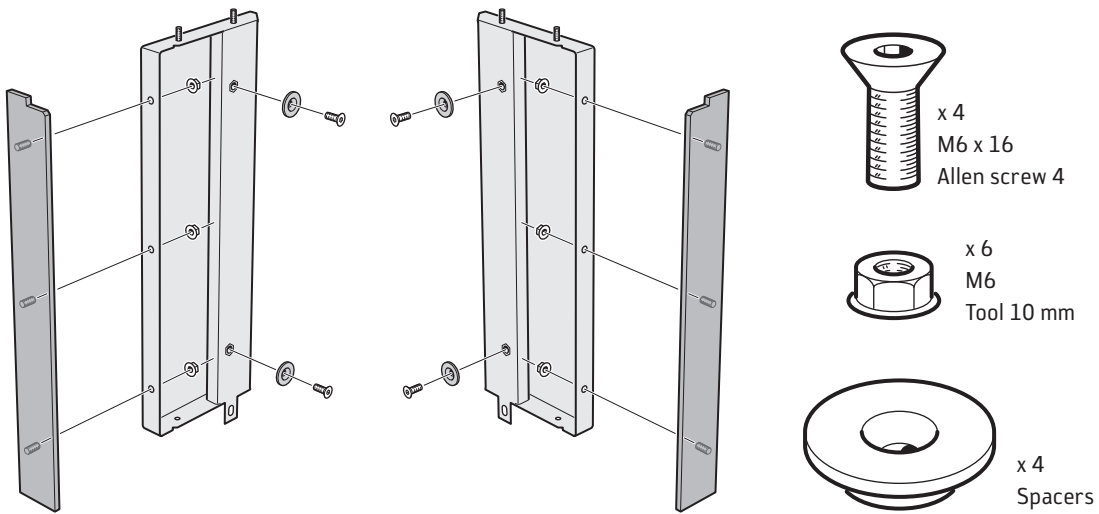
- With protective screen as option – now connect according to separate instructions.
- Connect chimney – upwards or rearwards, follow the chimney manufacturer's instructions.
- With Powerstone as option – position the heat tank according to the insert's instructions.
- With combustion air hose as option – now connect according to separate instructions.

Installation of surround

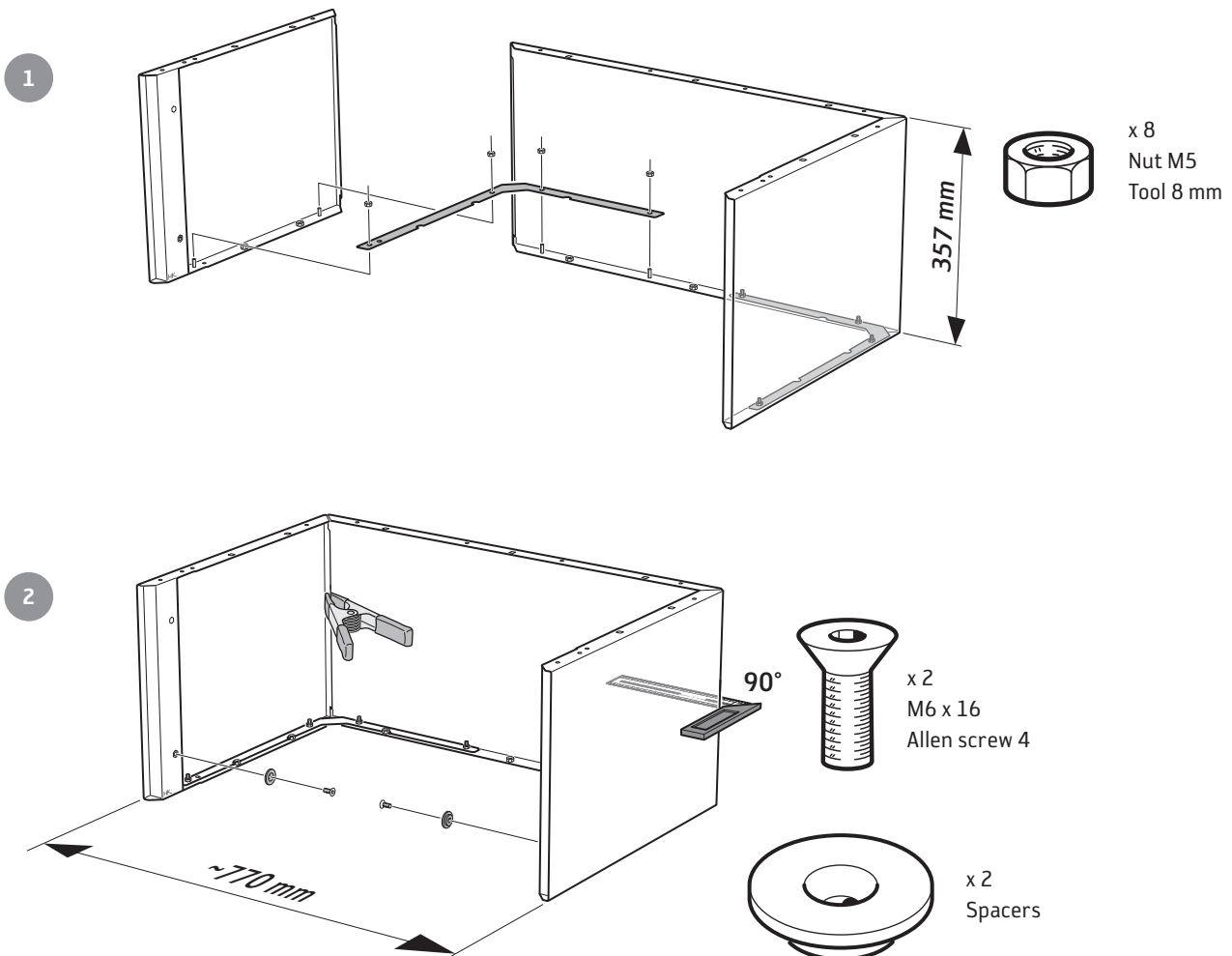
Pre-installation of lower cover - section 1.



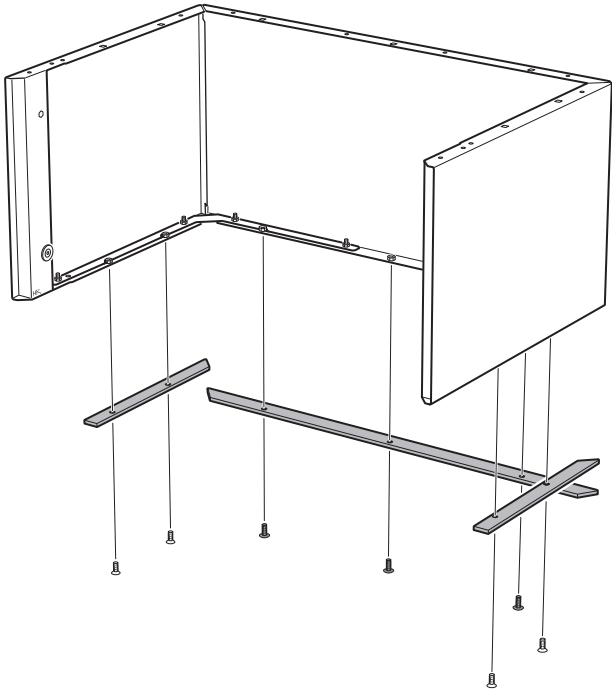
Pre-installation of side panels - section 2



Pre-installation of upper cover - section 3



3

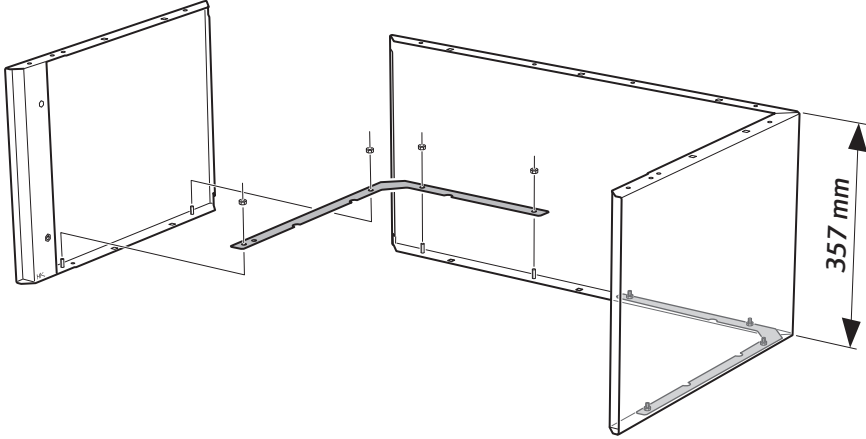


x 7
M6
Tool 10 mm

x 7
M6 x 16
Allen screw 4

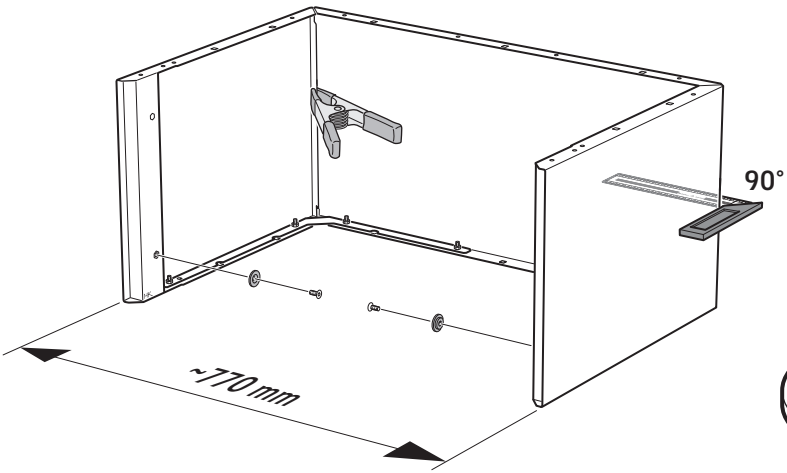
Pre-installation of upper cover - section 4

1



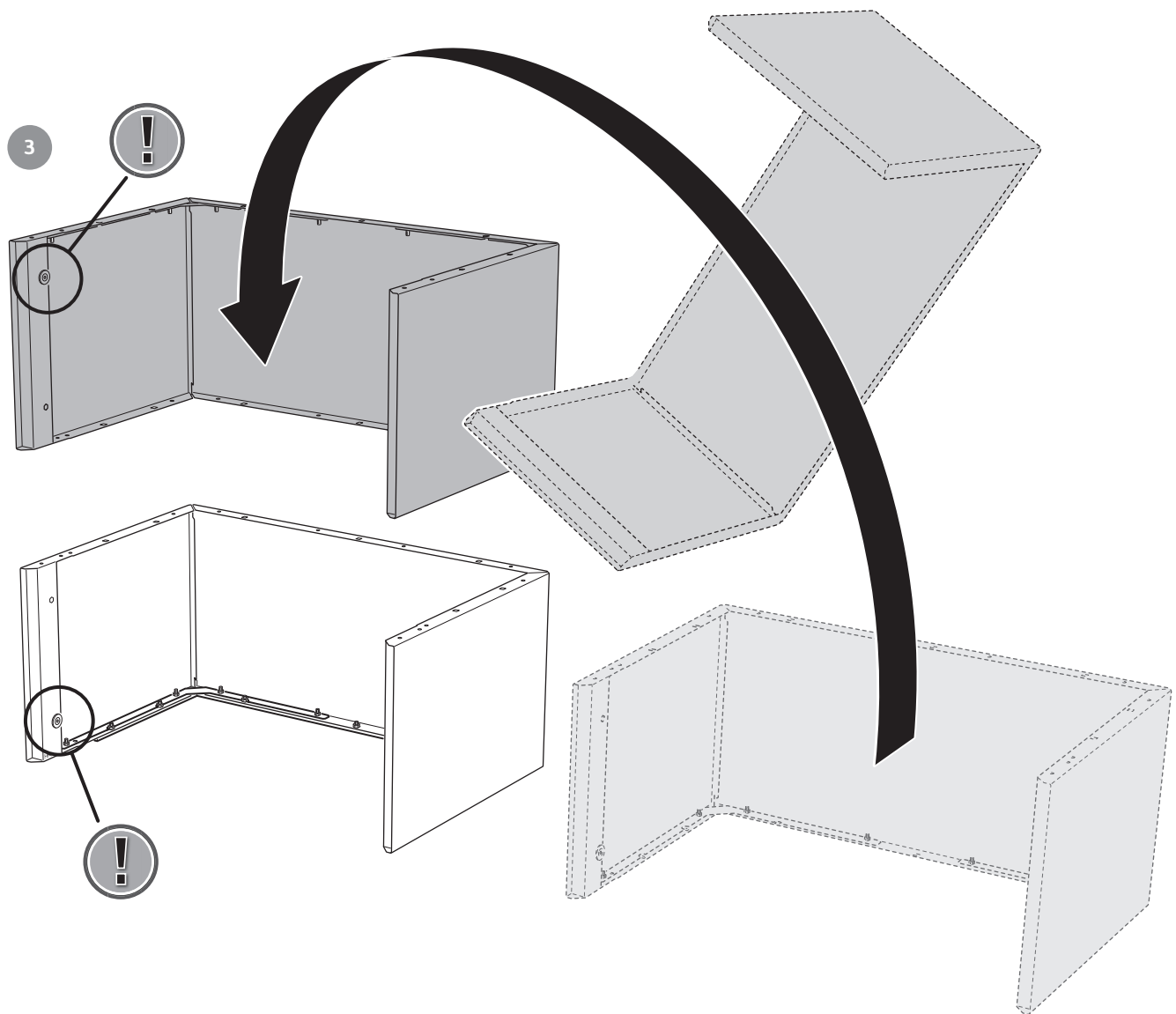
x 8
Nut M5
Tool 8 mm

2



x 2
M6 x 16
Allen screw 4

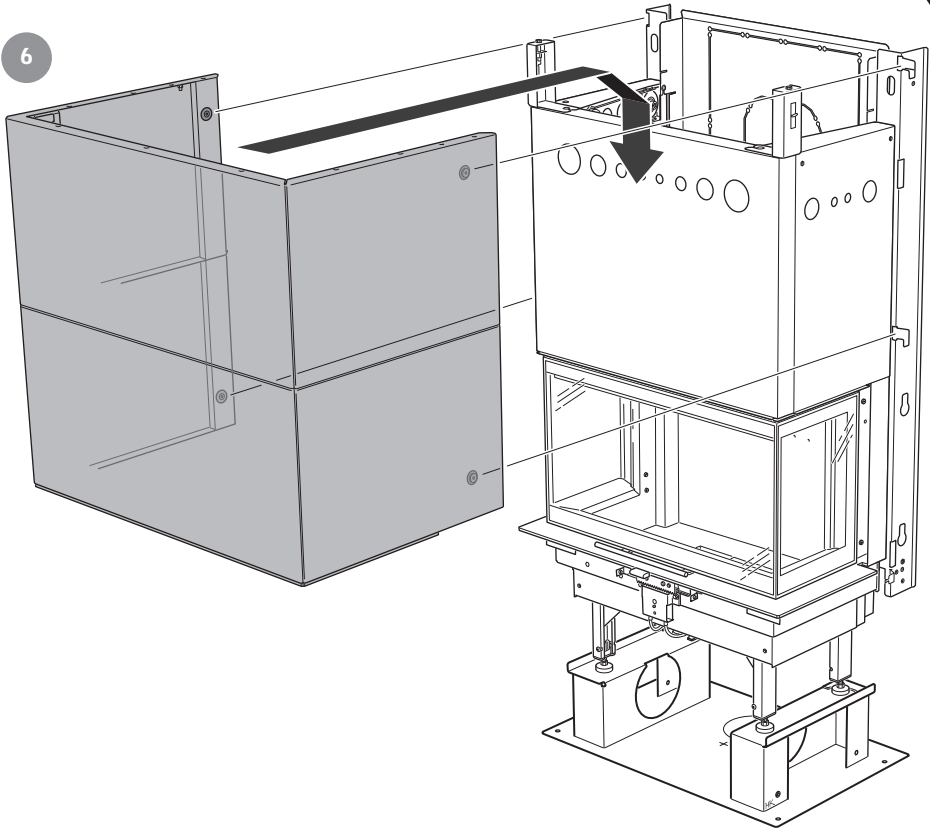
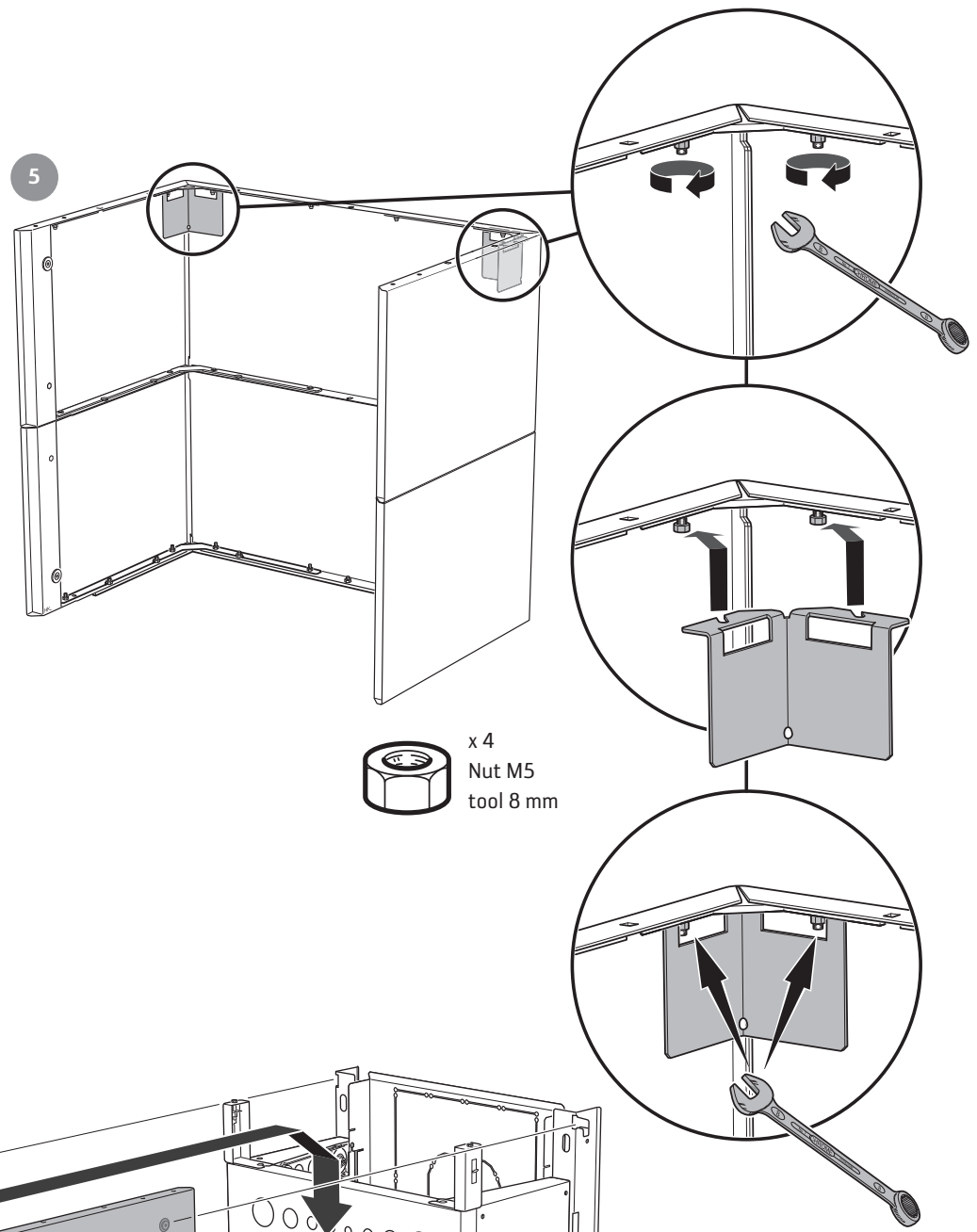
x 2
Spacers



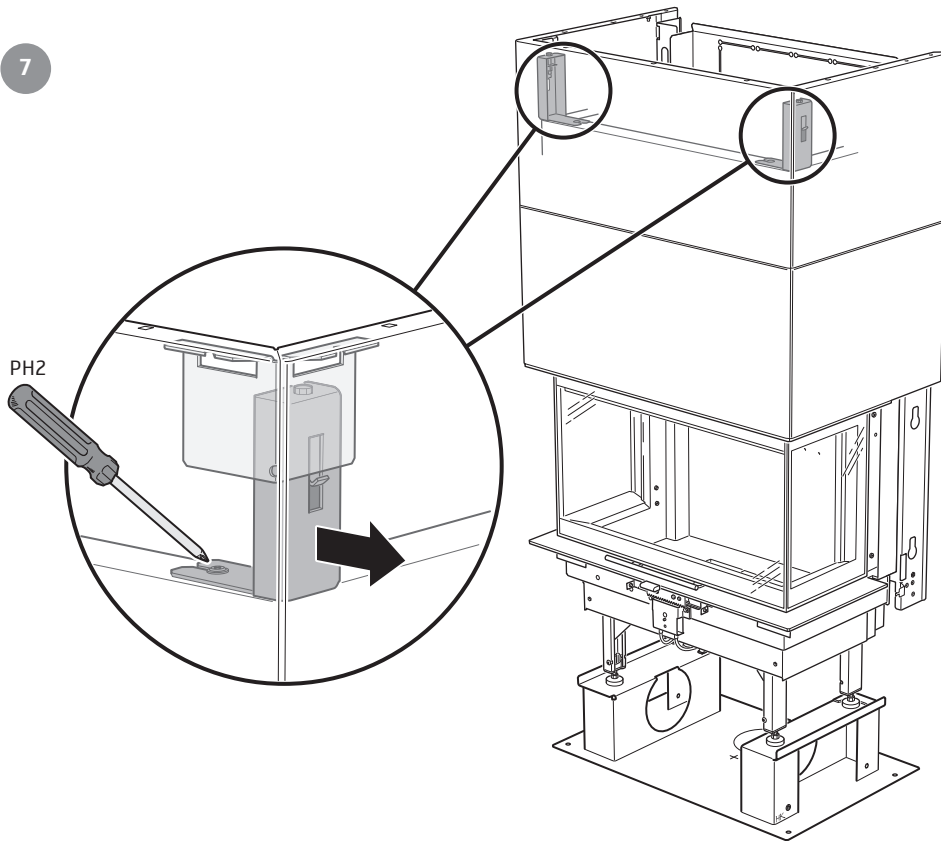
x 8
M5 x 12
Allen screw 3



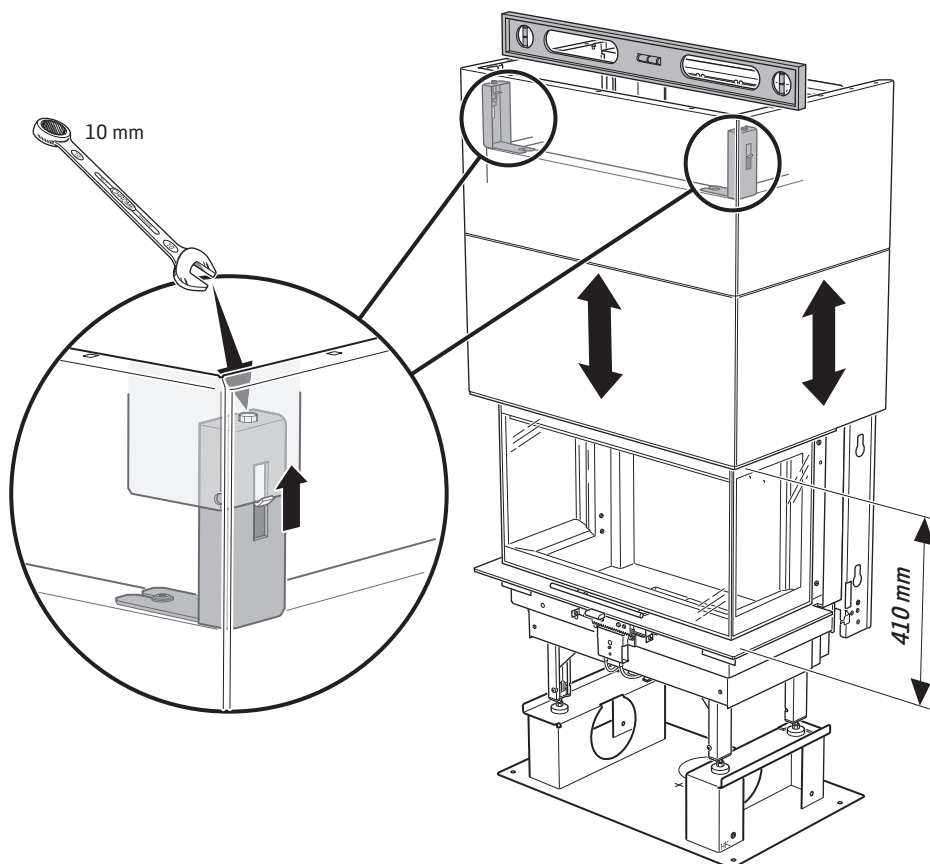
x 8
Nut M5
Tool 8 mm



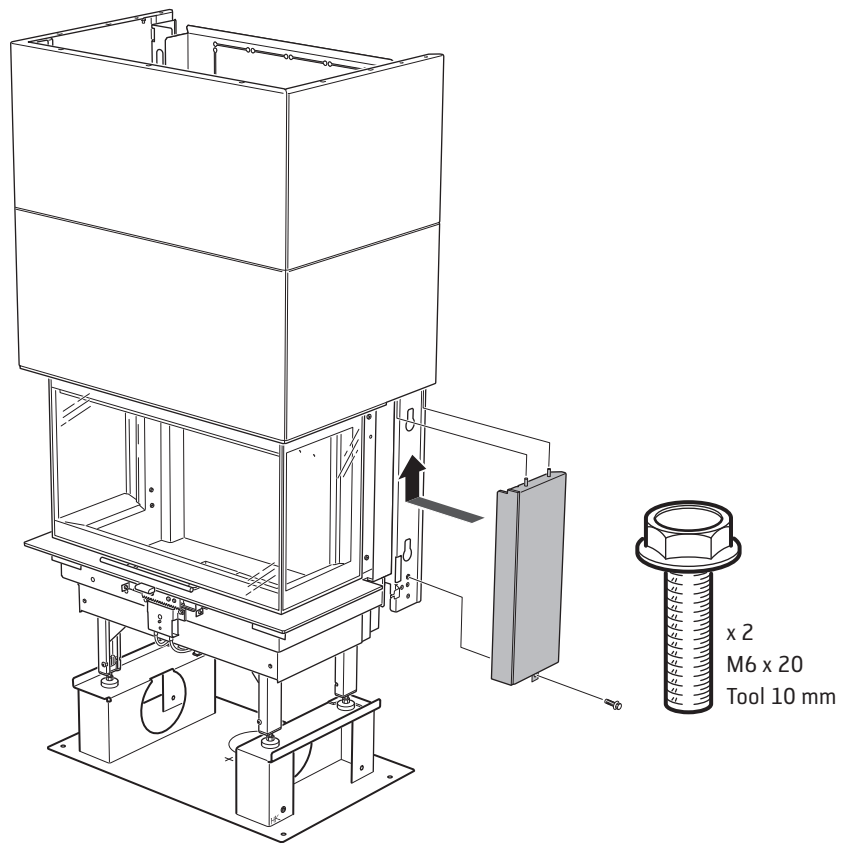
7



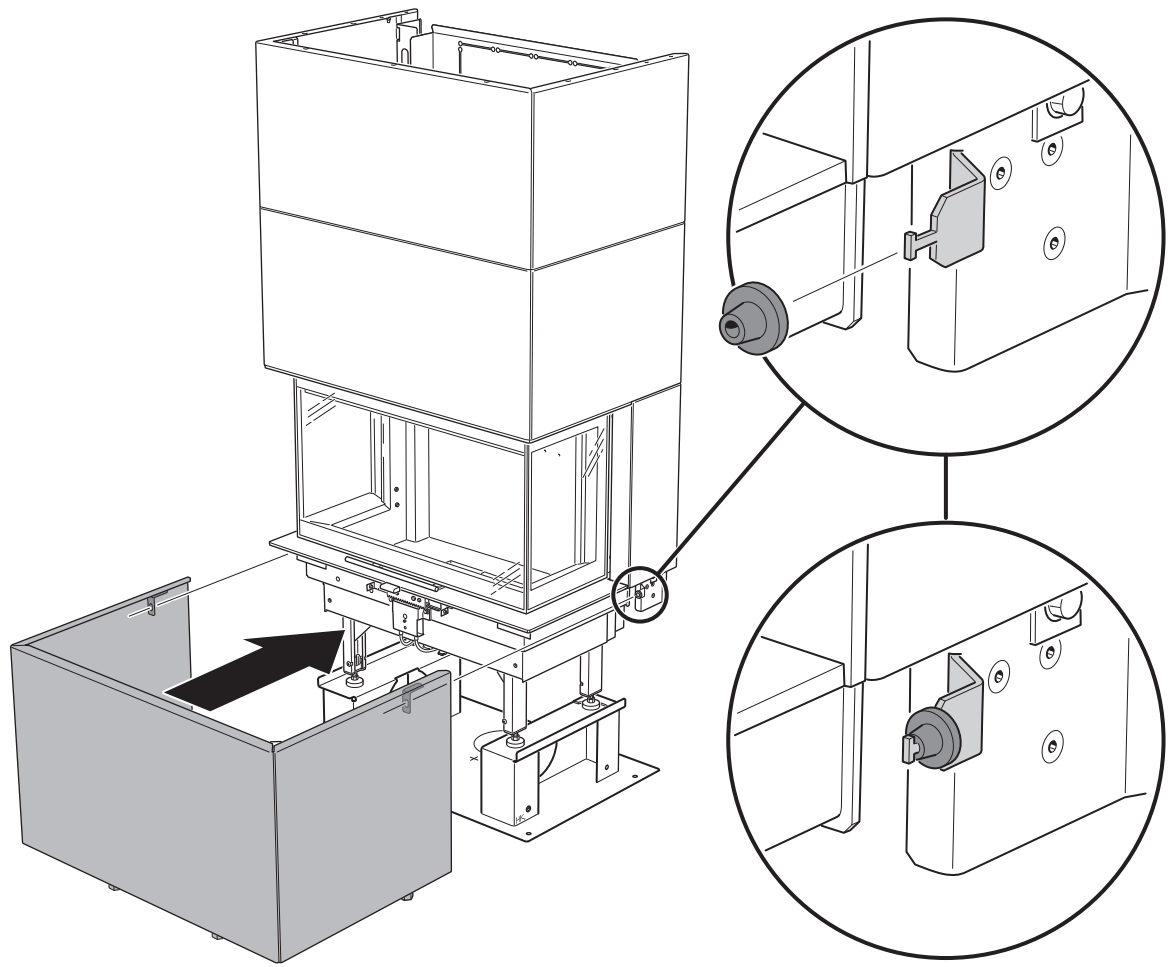
8



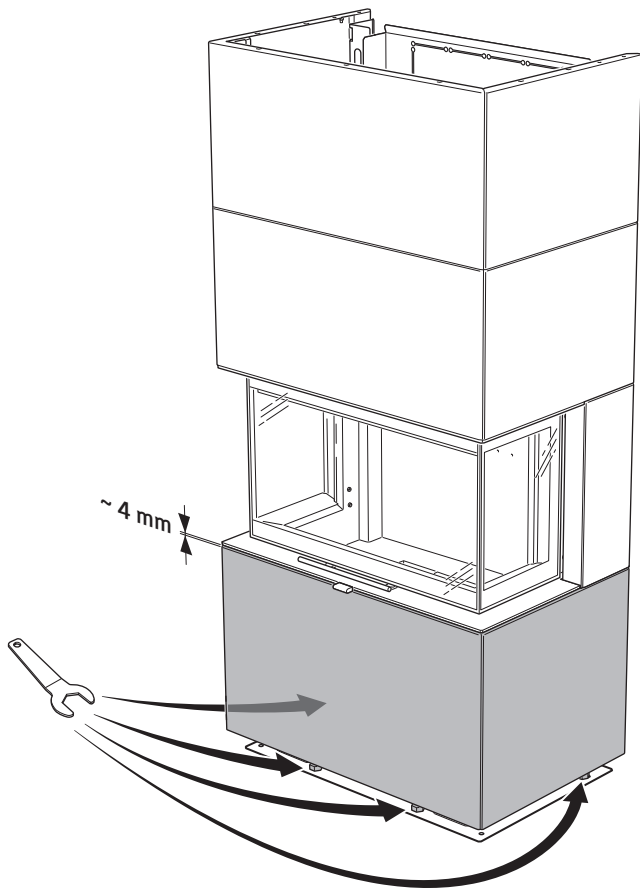
9



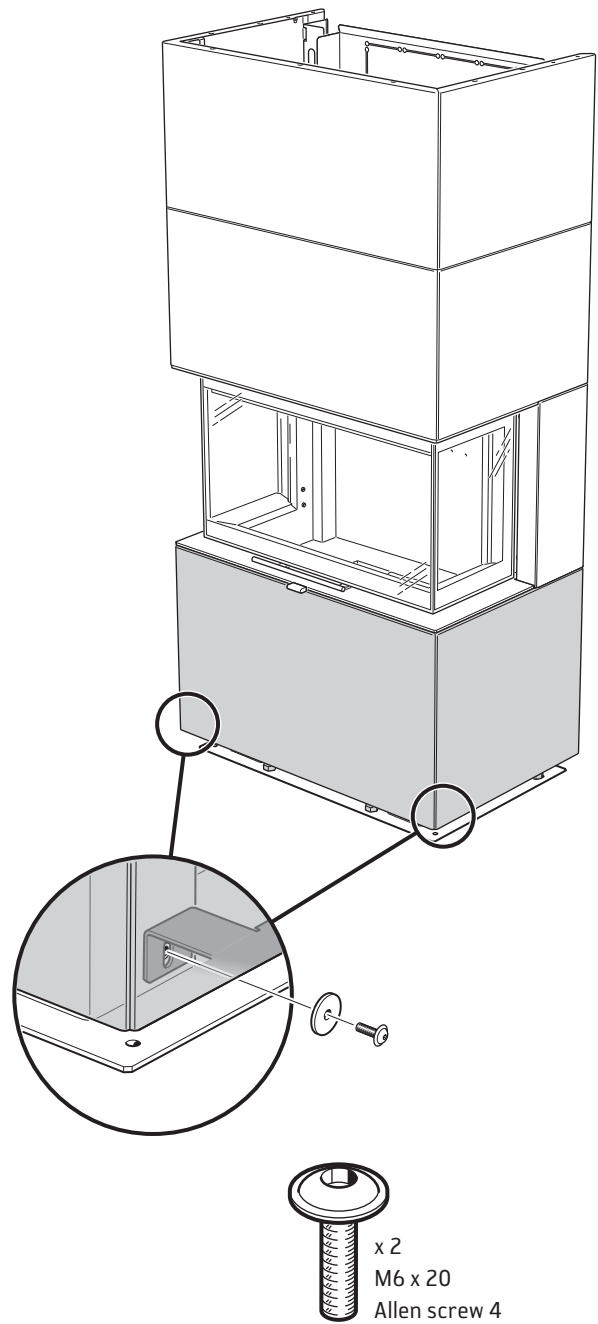
10



11

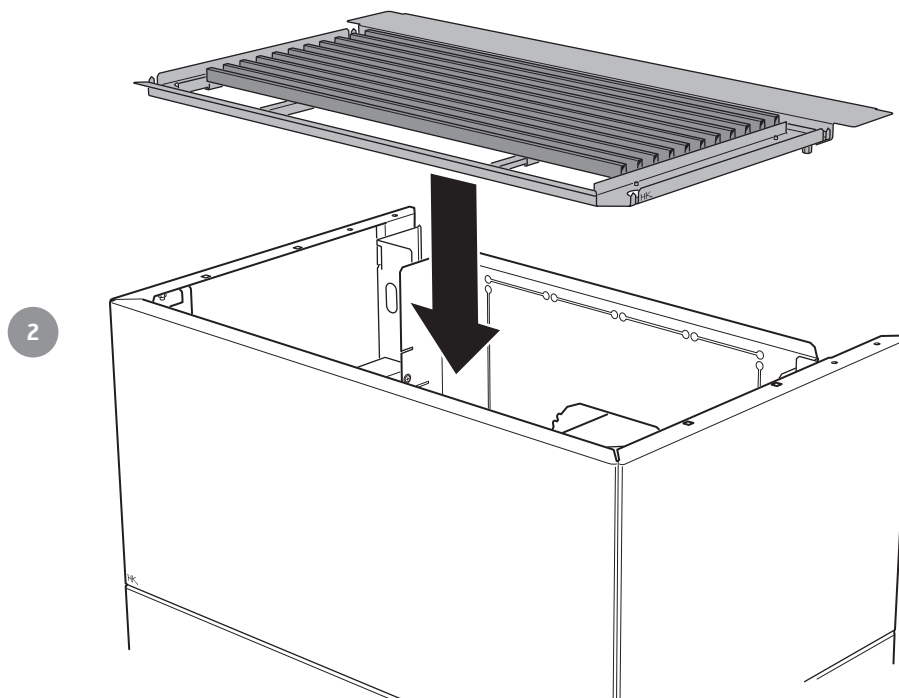
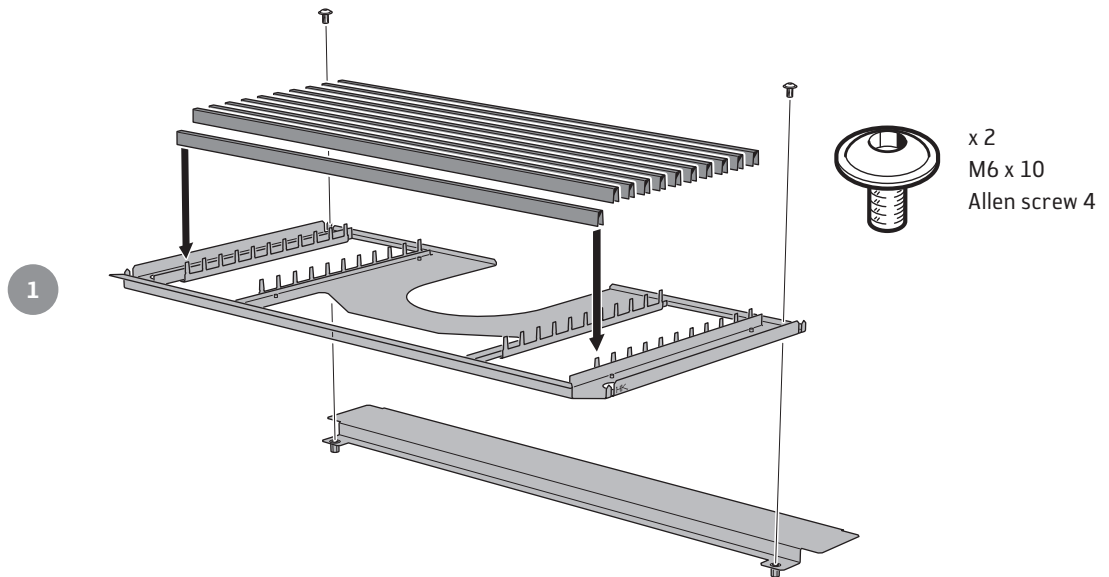


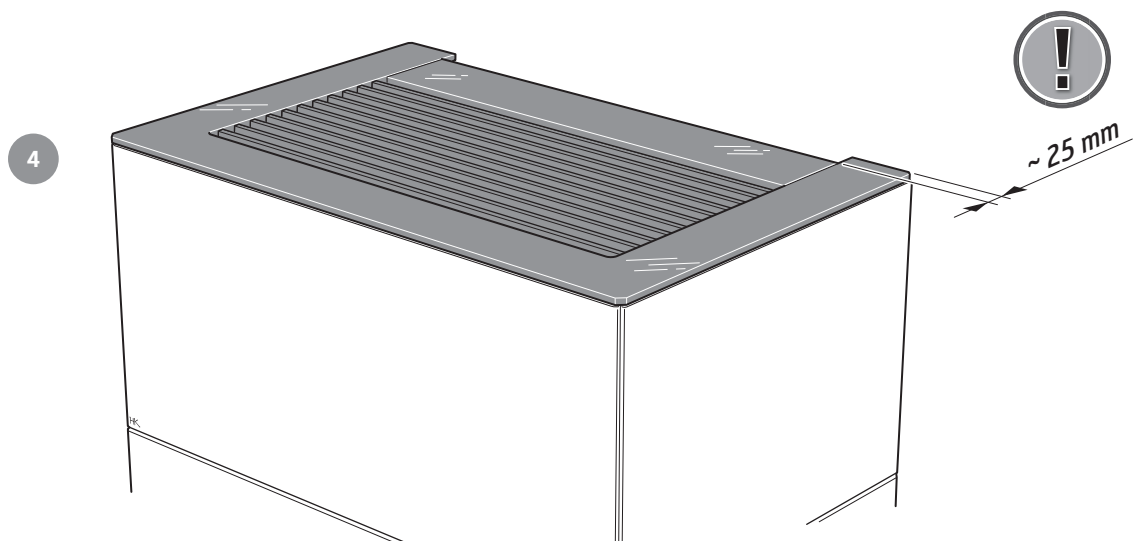
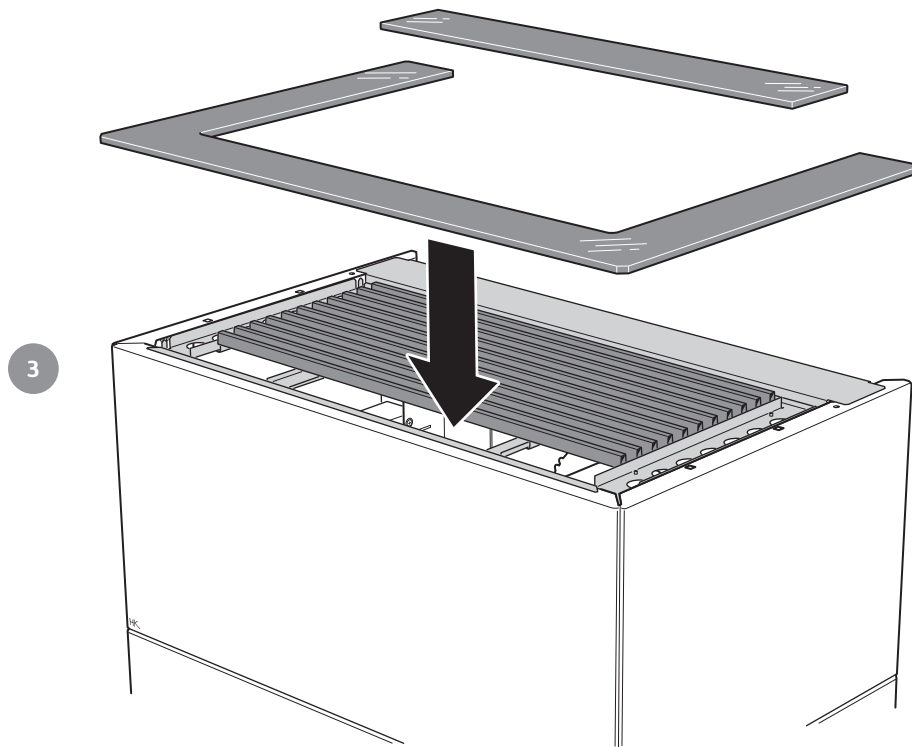
12



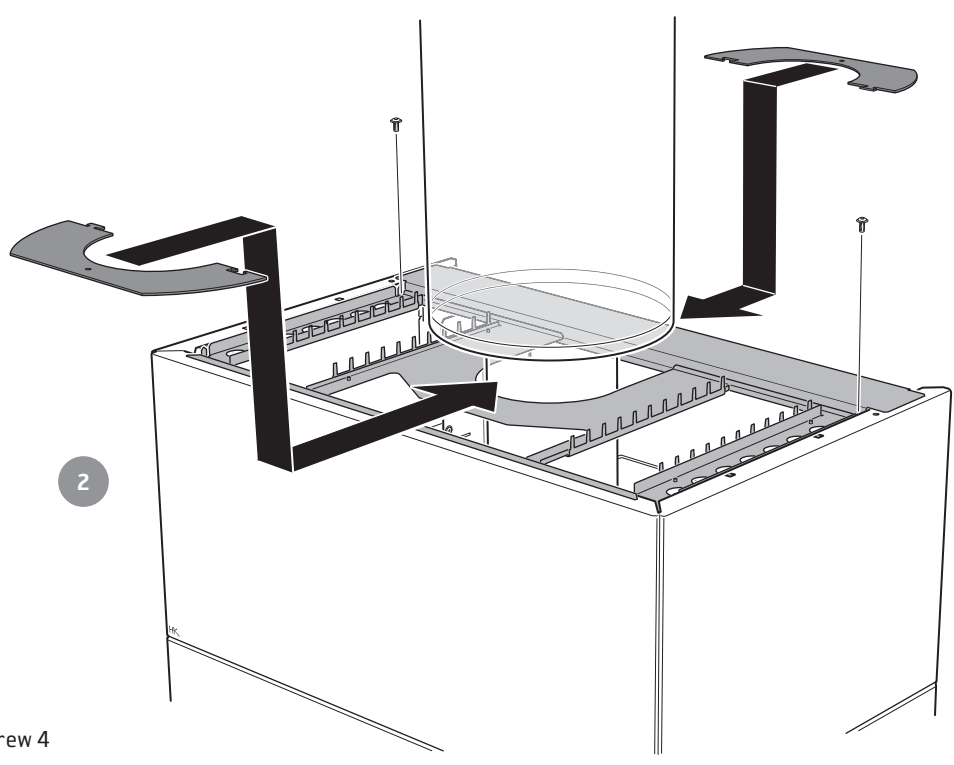
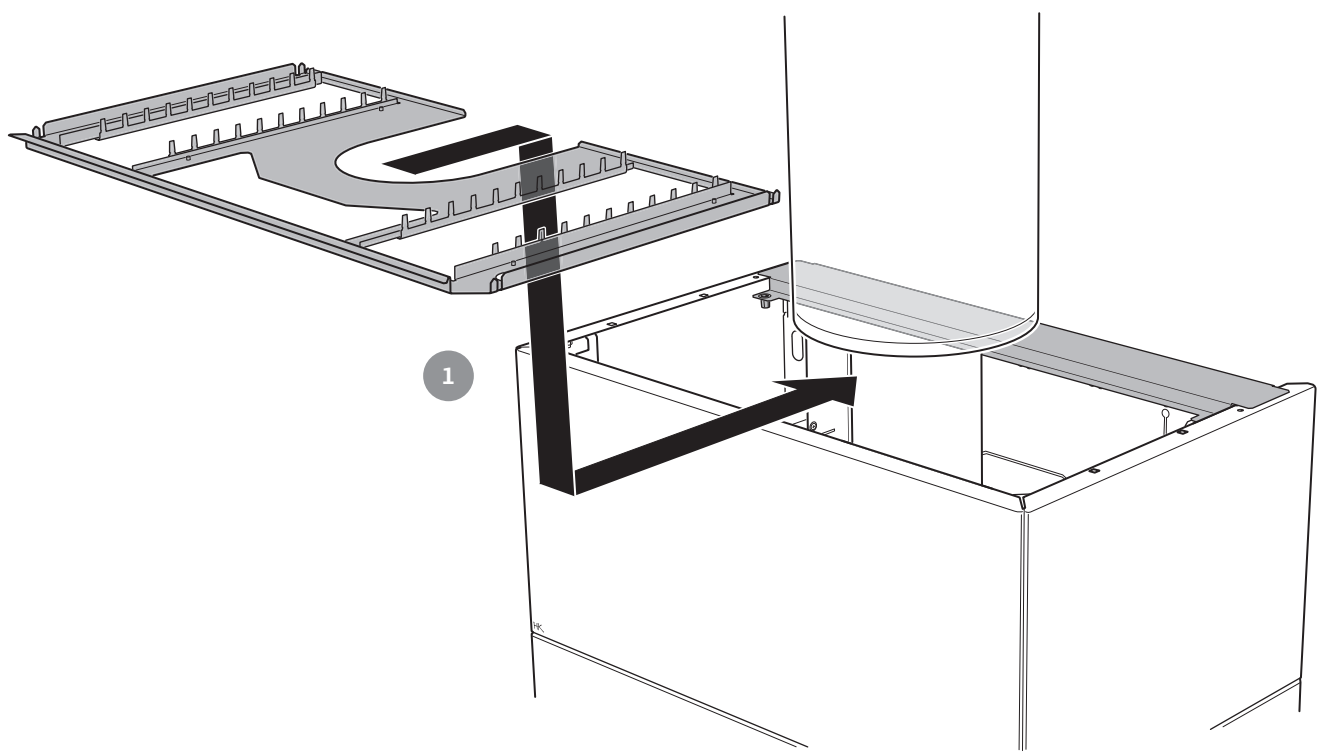
Assembling grate and top

For rear connection

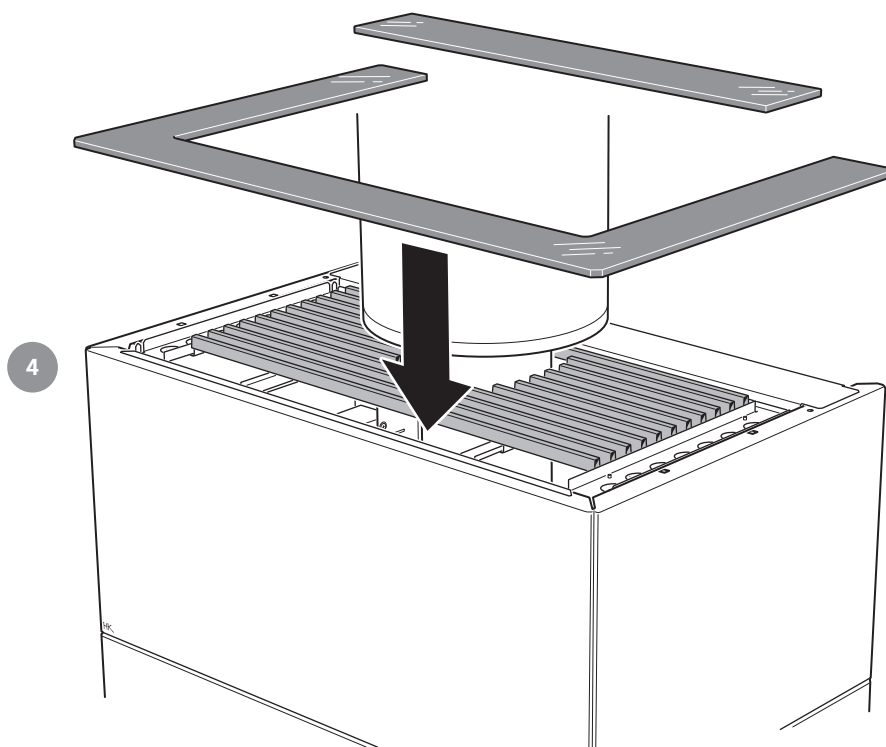
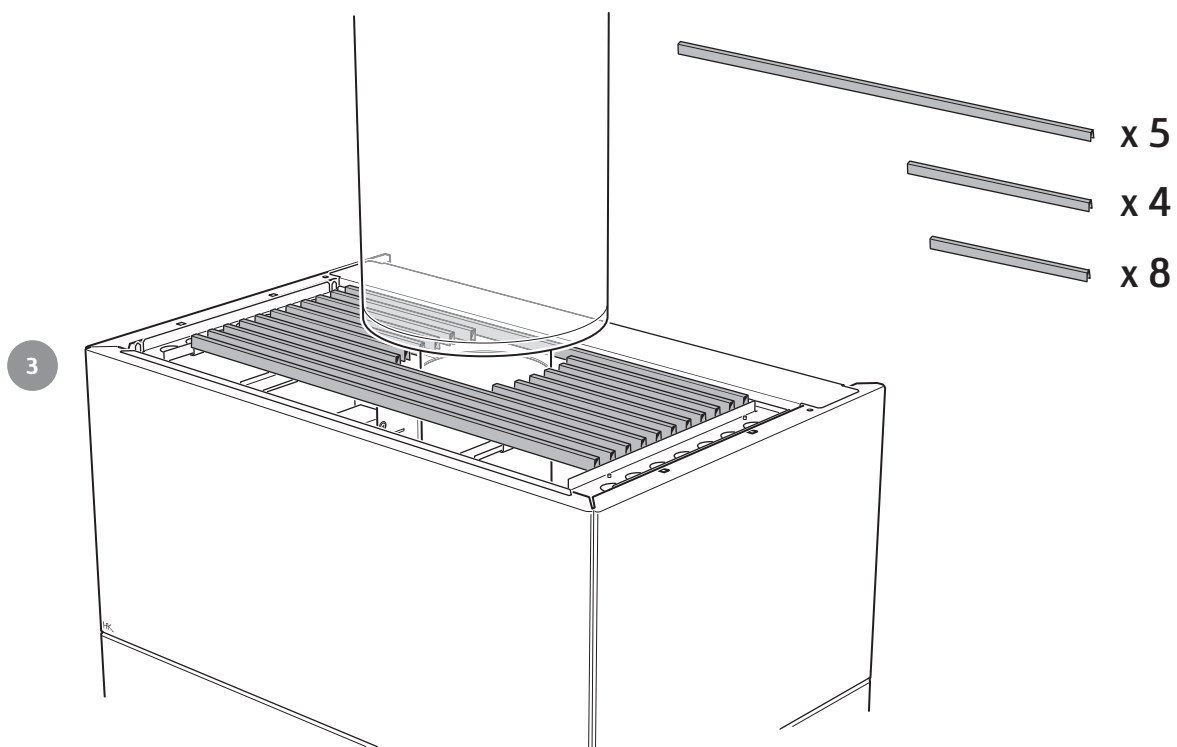


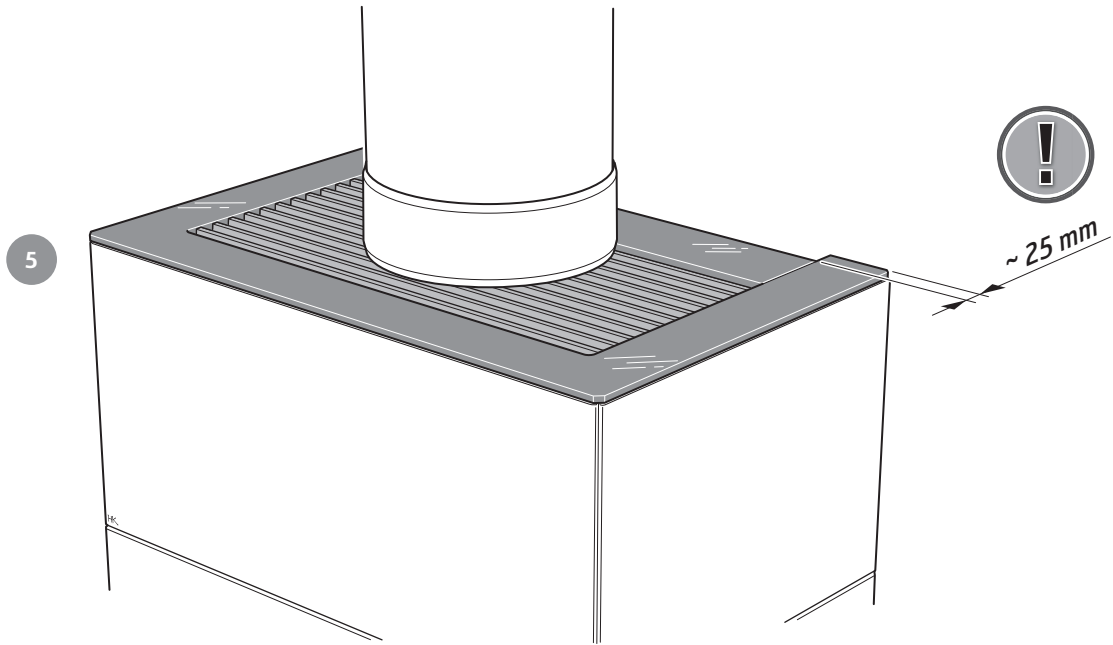


For top connection

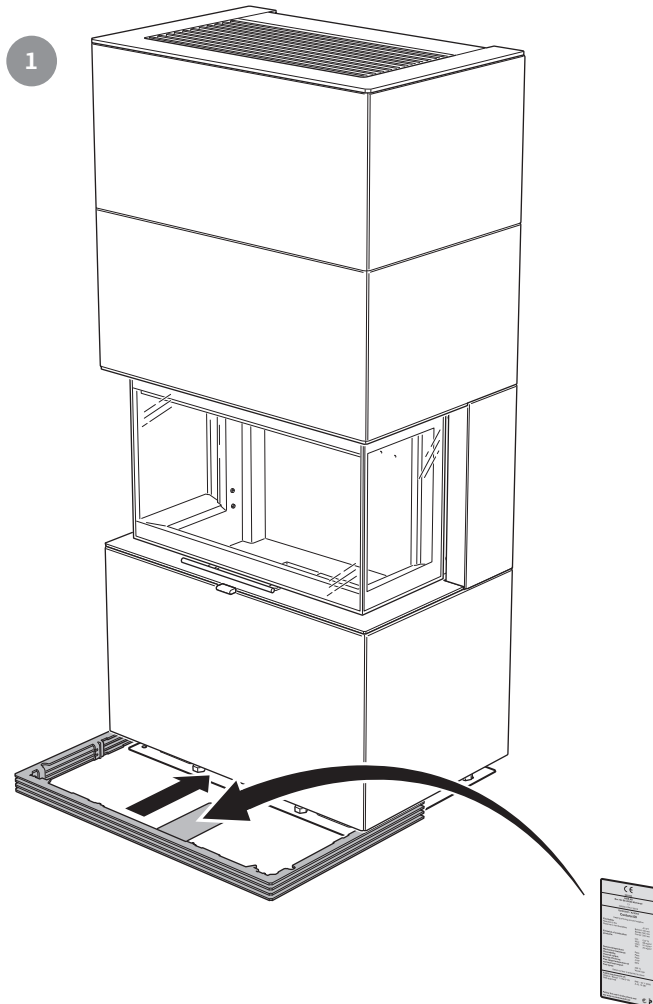


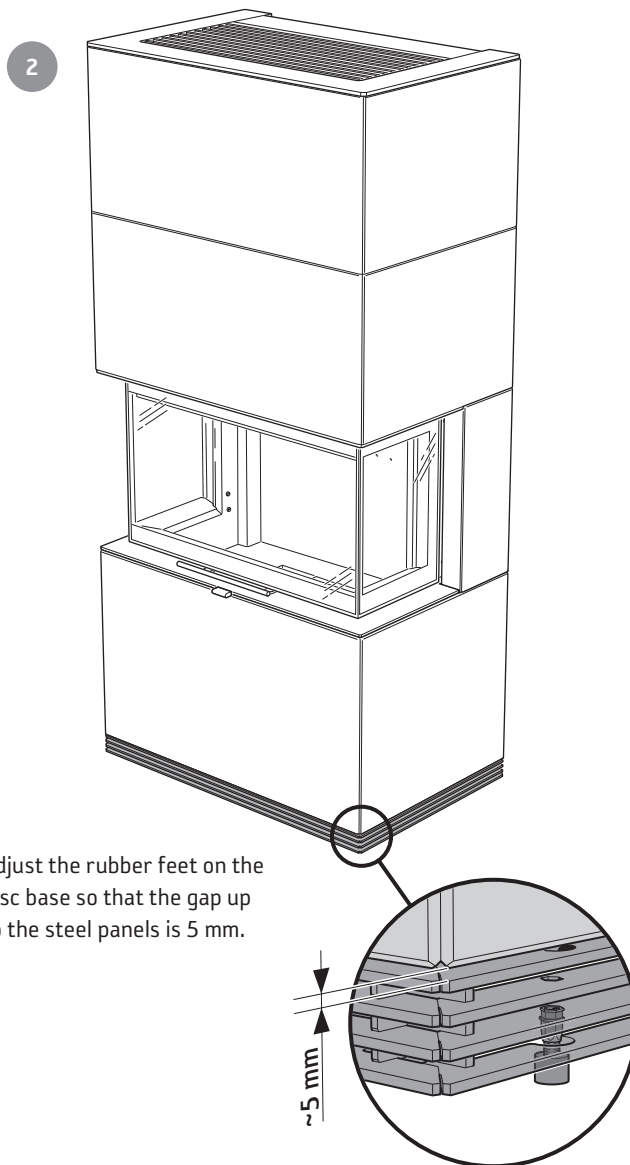
x 2
M6 x 10
Allen screw 4





Disc base





Final inspection of the installation

It is extremely important that the installation is inspected by an authorised inspection body before the stove is used. Also read the "Lighting instructions" before lighting for the first time.



811269 IAV SE-EX Ci51 Plåt-6
2019-11-19

Contura

NIBE AB · Box 134 · SE-285 23 · Markaryd · Sweden
www.contura.eu

Contura reserves the right to change dimensions and procedures described in these instructions at any time without special notice. The current edition can be downloaded from www.contura.eu