

Installation Instructions

For use in GB and IE only



Ci4 FS

Contura

DECLARATION OF PERFORMANCE

No. Ci4FS-CPR-130619-SE-1

Contura

PRODUCT

Product type Stove lit with solid biofuels
 Type designation Contura i4 FS
 Manufacturing number See rating plate on the stove
 Intended area of use Heating of rooms in residential buildings
 Fuel Wood / (Coal briquettes)

MANUFACTURER

Name NIBE AB / Contura
 Address Box 134, Skulptörvägen 10
 SE-285 23 Markaryd, Sweden

CHECKS

According to AVCP System 3
 European standard EN 13240:2001 / A2:2004
 Test institute Rein-Ruhr Feuerstätten Prüfstelle, NB 1625,
 has checked declared performance and issued test report no. RRF-29 11 2751

DECLARED PERFORMANCE

Essential characteristics	Performance	Harmonised technical specification
Reaction to fire	A1 WT	EN 13240:2001 / A2:2004
Minimum distance to combustible material	100 mm to rear 300 mm to side According to the given conditions in the installation instructions	
Risk of falling embers	Approved	
Emissions from combustion Wood / (Coal briquettes)	CO 0.10% / (0.21%) NOx 108 mg/m ³ / (NPD) OGC 107 mg/m ³ / (NPD) PM 36 mg/m ³ / (10 mg/m ³)	
Surface temperatures	Approved	
Cleaning options	Approved	
Mechanical durability	Approved	
Emissions of hazardous substances	Approved	
Nominal output	4 kW / (4 kW)	
Efficiency	78% / (76%)	
Flue gas temperature in connector at nominal output	310°C / (270°C)	

The undersigned is responsible for the manufacture and conformity with the declared performance.



Niklas Gunnarsson, Business area manager NIBE STOVES
 Markaryd, 1st July 2013



A warm welcome to Contura.

A warm welcome to the Contura family. We hope you will get a great deal of pleasure from your new stove. As a new owner of a Contura stove you have secured a product with timeless design and long service life. Contura also has combustion that is both environmentally friendly and efficient for the best heat production.

Read through these installation instructions carefully before installation. Read how to best light your stove in the lighting instructions.

Table of contents

Technical data	4
Installation distance to walls Classic	5
Installation distance to walls Modern	6
Prior to installation	7
Supply of combustion air	8
Heat retaining - Powerstone	8
Smoke control area	9
Adjusting and connecting	10
Removing the loose components	11

NOTE!

Report the installation of a stove to your local authority.

The owner of the house is personally responsible for ensuring compliance with the mandatory safety requirements and must have the installation approved by a qualified inspector. Your local chimney sweep must also be informed about the installation as this will affect the routines for regular chimney-sweeping services.

WARNING!

The stove becomes very hot

During operation, certain surfaces of the stove become very hot and can cause burn injury if touched. Be aware of the strong heat radiated through the door glass. Placing flammable material closer than the safe distance indicated may cause a fire. Smouldering can cause quick gas ignition with the risk of damage to property and personal injury.

Technical data

Output	3-5 kW
Nominal output	4 kW
Efficiency level	Up to 80%

Model	Classic
Weight (kg)	85
Width (mm)	479
Depth (mm)	408
Height (mm)	642

Model	Modern
Weight (kg)	81
Width (mm)	492
Depth (mm)	368
Height (mm)	660

The connector's inner diameter is $\varnothing 126$ mm
 Type approved in accordance with:
 European standard EN-13240

DEFRA exempted

The stove can be used in
 Smoke Control Areas.

General

In this manual you will find instructions about how your Contura i4 FS shall be installed. Before you start the installation it is important that you read this instruction carefully and fully understand the requirements. All European, national and local standards and regulations needs to be fulfilled when the appliance is installed.

To guarantee the function and safety of the stove we recommend that it is installed by a professional. Our Contura agents can recommend a suitable installer.

The room or space containing a stove shall have a permanent air supply sufficient to ensure proper combustion, to determine correct amount of air supply use current edition of Building Regulations.

Remember to use only for the appliance recommended fuel as wood logs or smokeless fuel as anthracite or manufactured smokeless fuel briquettes. Do not ever burn bituminous coal, "petro-coke" or other petroleum based fuels!

Building application

Before installing a stove or erecting a chimney it is necessary for you to apply for planning permission from your local authority. Ask your local authority for advice regarding building regulations and the application.

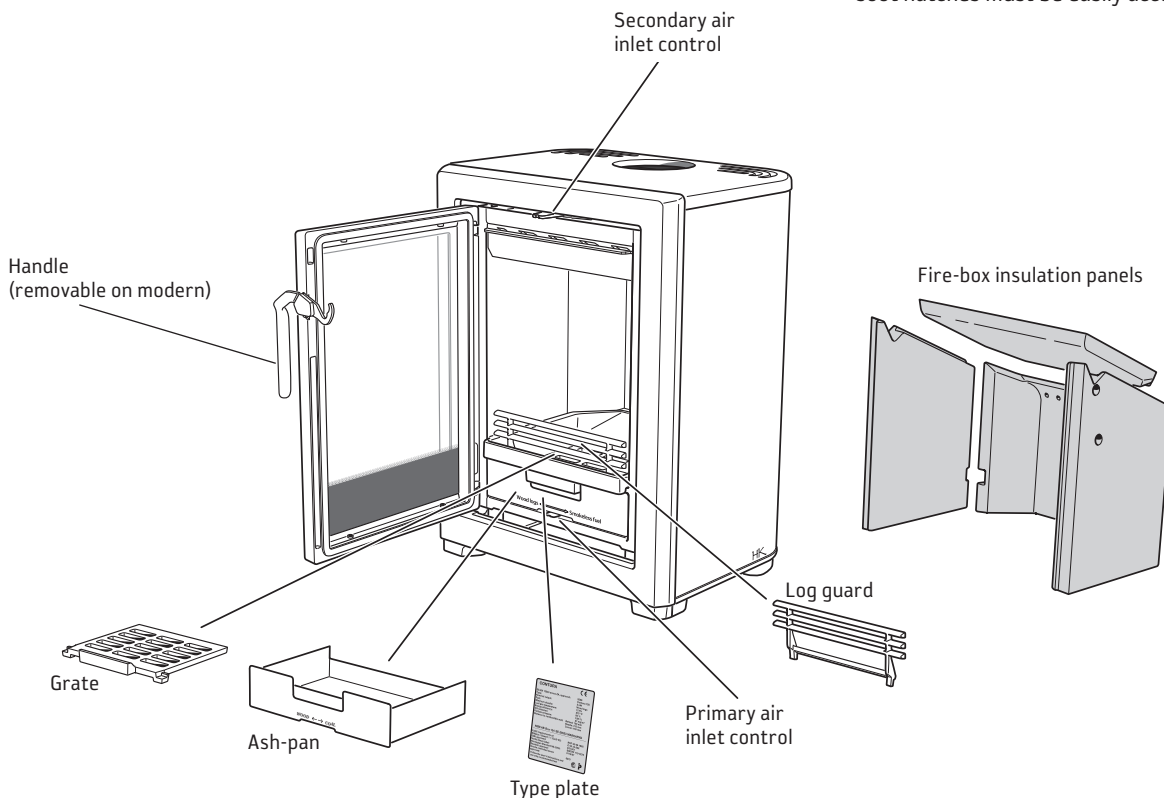
Chimney

Note! The stove installation and connection to a chimney must be accomplished with the current edition of Building Regulations. We recommend that you consult a local chimney sweep before the installation to make sure that the chimney is in good condition.

The stove is type approved and must be connected to a chimney dimensioned for at least 350°C. The connector on the appliance is suitable for pipes with diameter of 125 mm. The stove can be loaded with maximum 100 kg of chimney.

A flexible flue liner or steel flue certified for use with solid fuel is highly recommended. The stove requires a chimney draught that creates a negative pressure of 20-25 Pa in the firebox. The draught is affected both by the length and area of the chimney, and by how well sealed it is. Minimum recommended chimney length is 3.5 m and a suitable cross section area is 120-175 cm² (125-150 mm in diameter). Carefully check that the chimney is sealed and that there is no leakage around soot hatches and flue connections.

Note that a flue with sharp bends and horizontal routing reduces the draught in the chimney. Maximum horizontal flue is 1 m, on the condition that the vertical flue length is at least 5 m. It must be possible to sweep the full length of the flue and the soot hatches must be easily accessible.

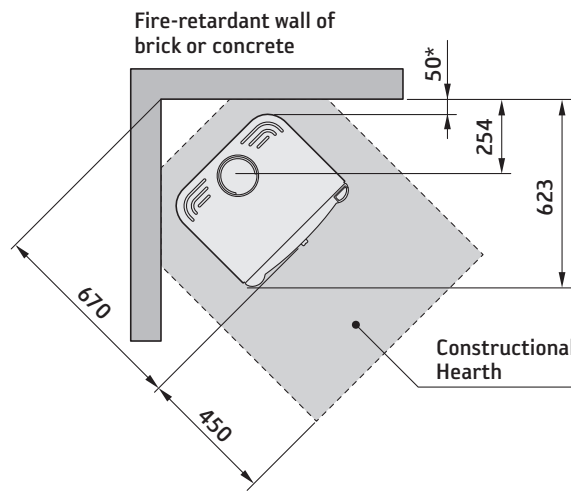
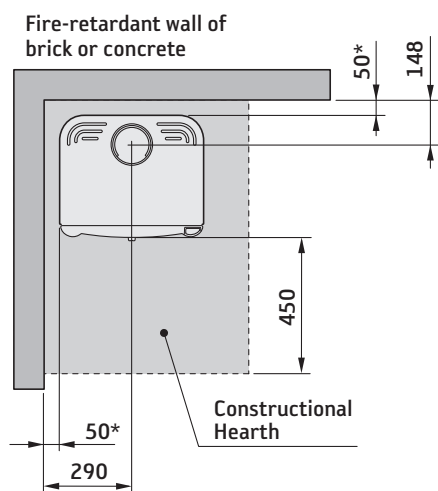
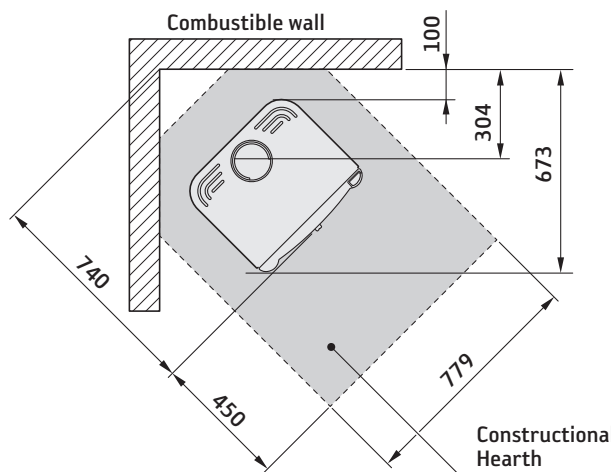
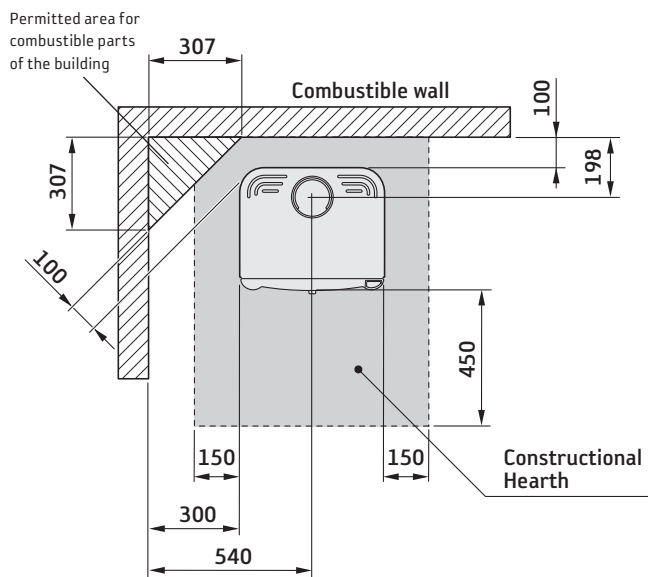
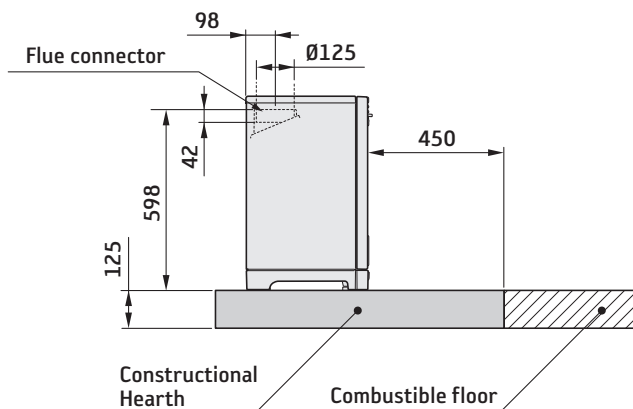
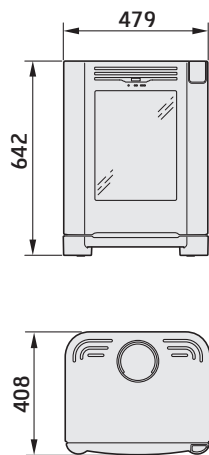


Installation distance to walls

Ci4 FS Classic

Move the stove in position and check that the minimum installation distances given in the diagrams are met. The minimum distance in front of the stove opening to combustible parts of the building or interior decoration must be at least 1 m. The appliance must stand on a constructional hearth which meet the building regulations and has

minimum dimension as shown in the diagram. Always check that the building has enough bearing capacity for the hearth, stove and chimney. When top connecting a steel flue please refer to the relevant manufacturer's installation instructions. Observe the safety distances to combustible material that steel flues require.



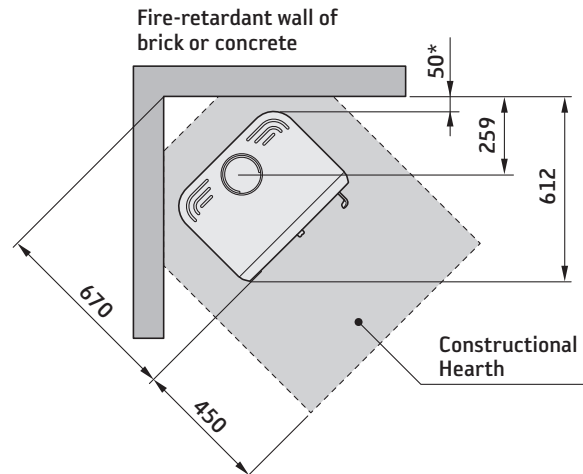
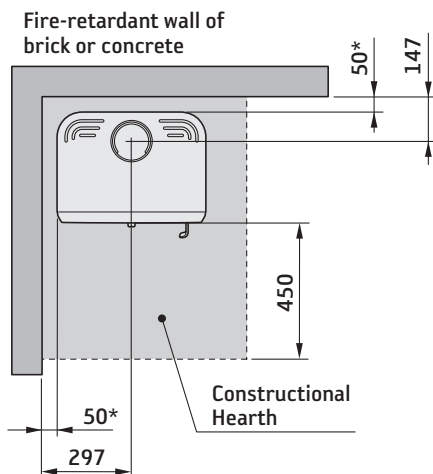
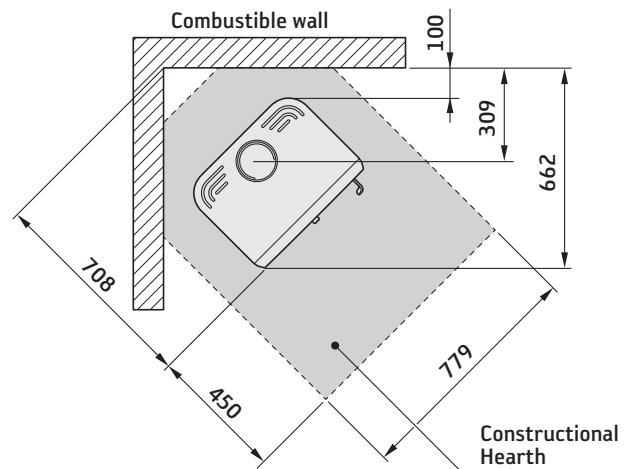
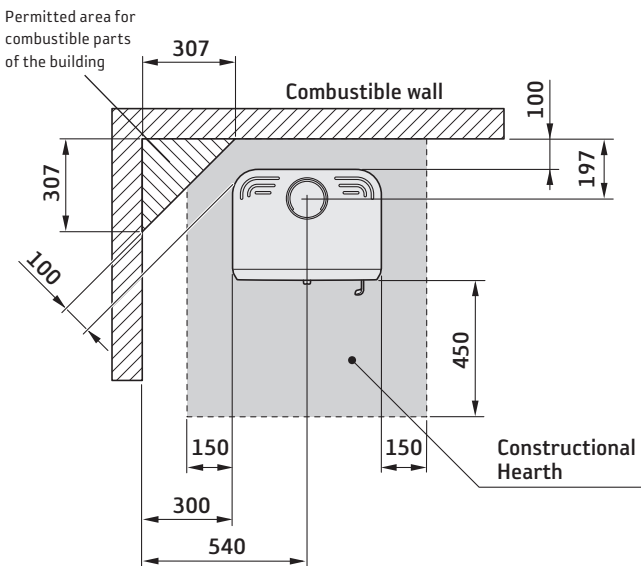
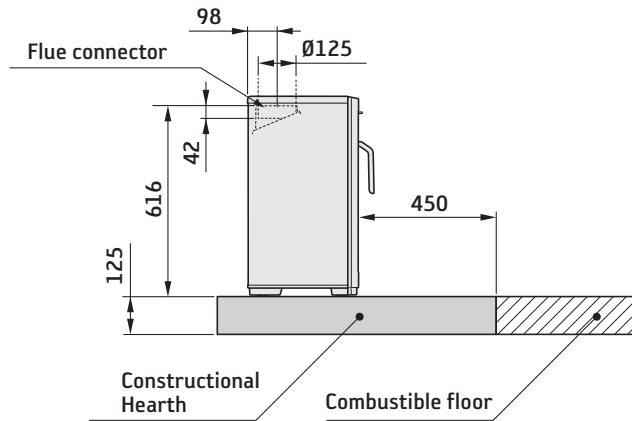
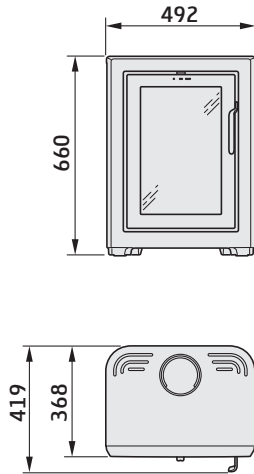
* To prevent discolouration of painted non-flammable walls we recommend that the same side distance as to combustible walls is used.

Installation distance to walls

Ci4 FS Modern

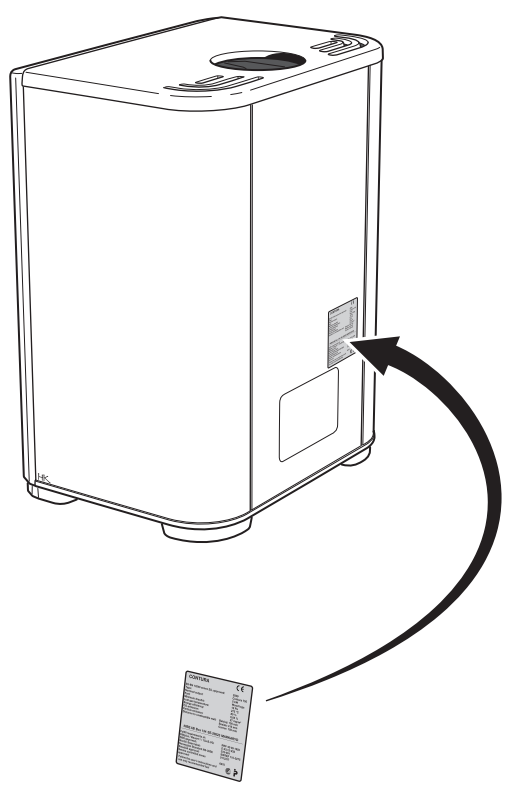
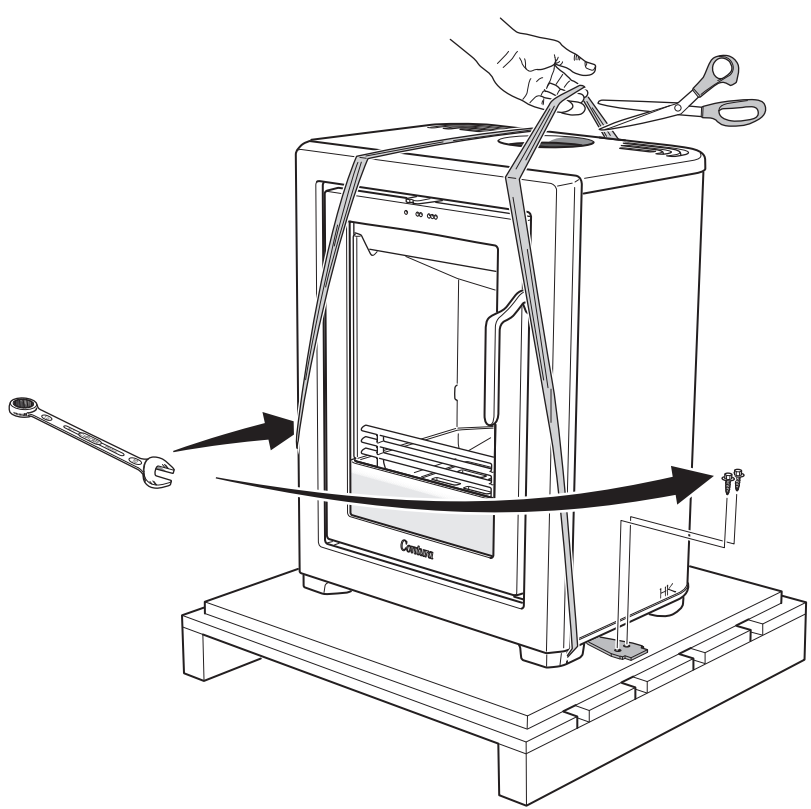
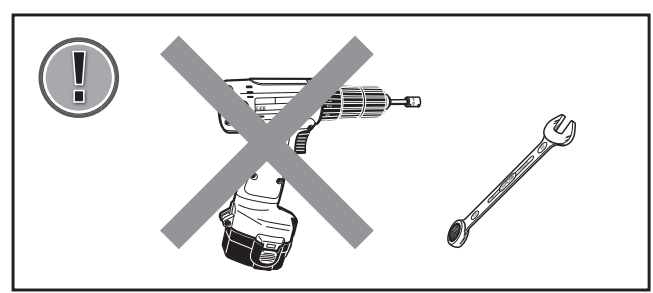
Move the stove in position and check that the minimum installation distances given in the diagrams are met. The minimum distance in front of the stove opening to combustible parts of the building or interior decoration must be at least 1 m. The appliance must stand on a constructional hearth which meet the building regulations and has

minimum dimension as shown in the diagram. Always check that the building has enough bearing capacity for the hearth, stove and chimney. When top connecting a steel flue please refer to the relevant manufacturer's installation instructions. Observe the safety distances to combustible material that steel flues require.



* To prevent discolouration of painted non-flammable walls we recommend that the same side distance as to combustible walls is used.

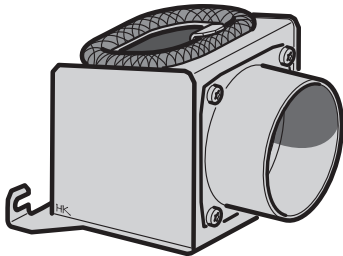
Prior to installation



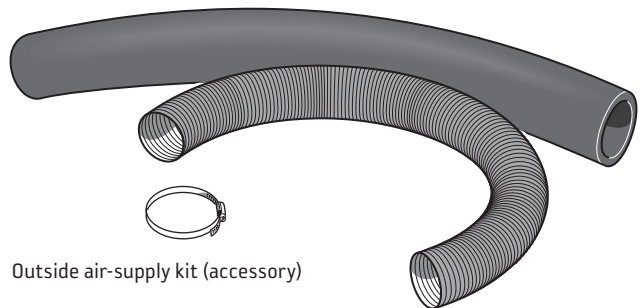
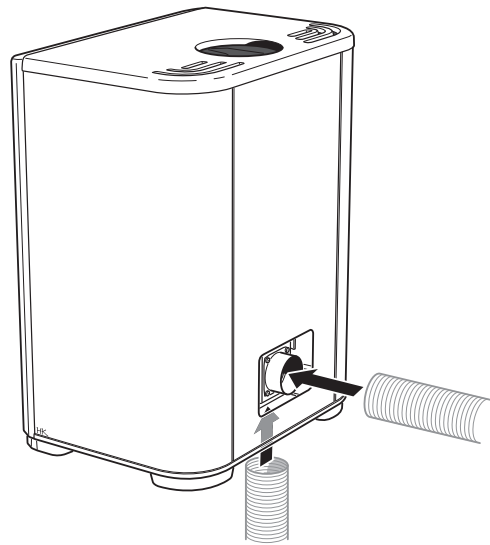
Supply of combustion air

When a stove is installed in a room, the demand for air supply to the room increases. Air can be provided indirectly via a vent in the outer wall or via a duct from the outside that is connected to the stove. The amount of air needed for combustion is approximately 20m³/h.

Install supply air connector (accessory) and outside air-supply kit (accessory) before chimney installation.
Assembly instruction is found together with the accessory.



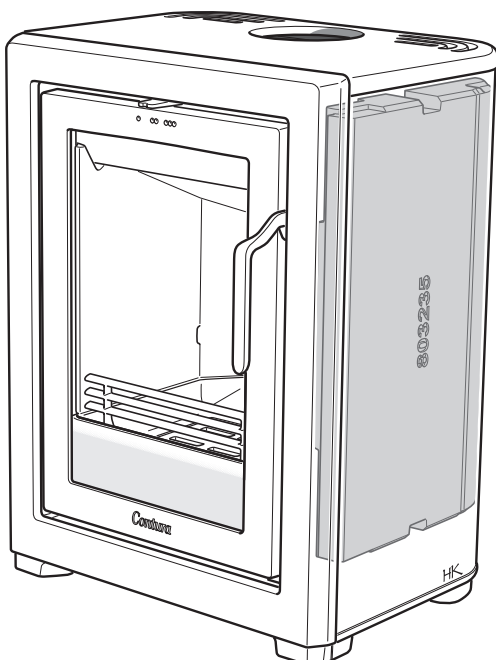
Supply air connector (accessory)



Outside air-supply kit (accessory)

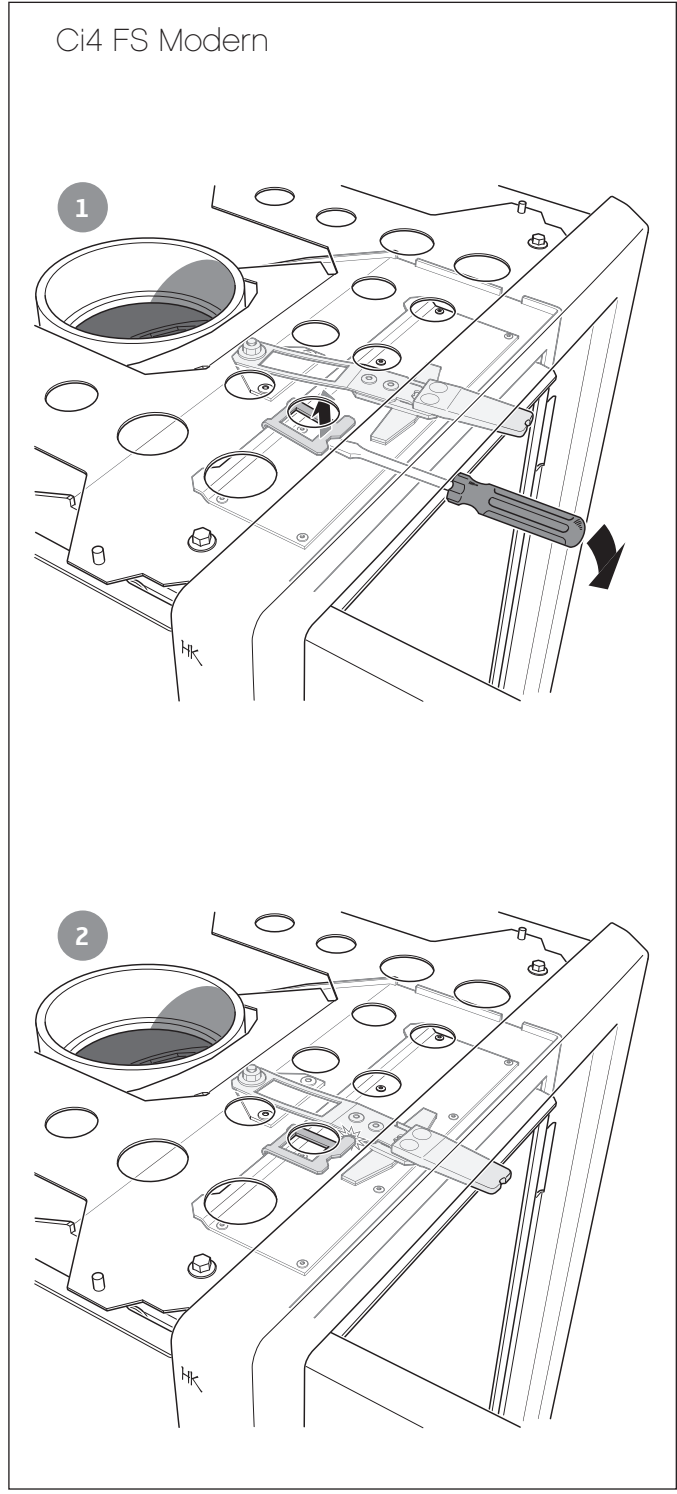
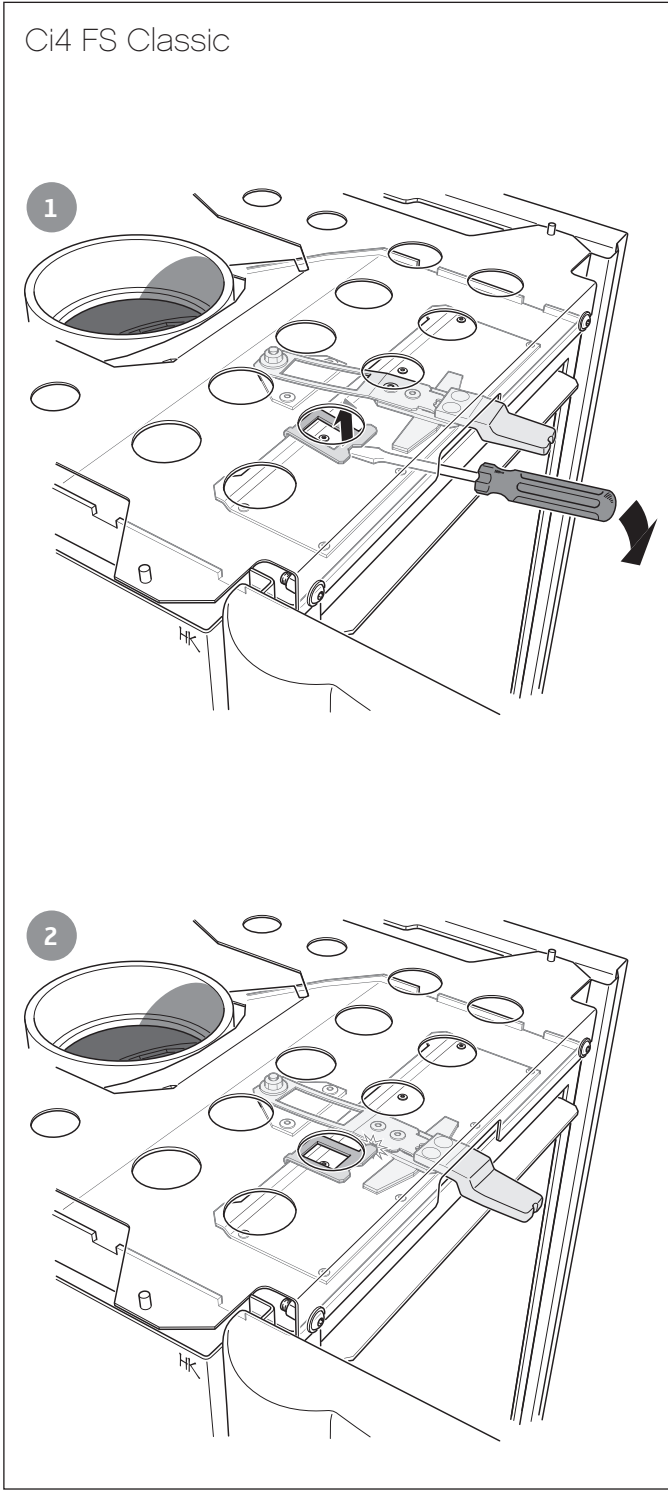
Heat retaining – Powerstone

Place heat retaining Powerstone, before chimney installation (accessory).
Assembly instruction is found together with the accessory.



Smoke control area

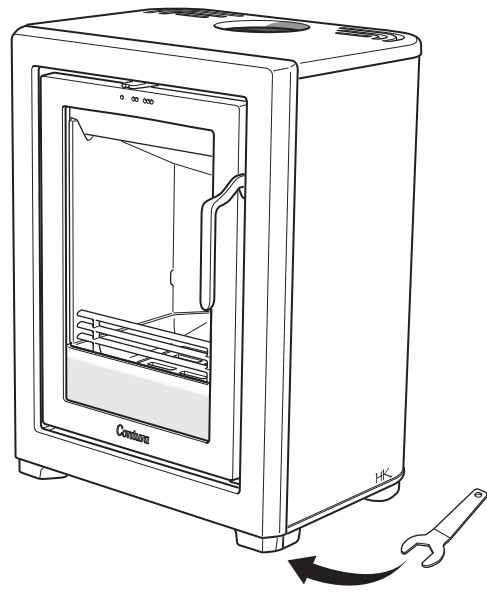
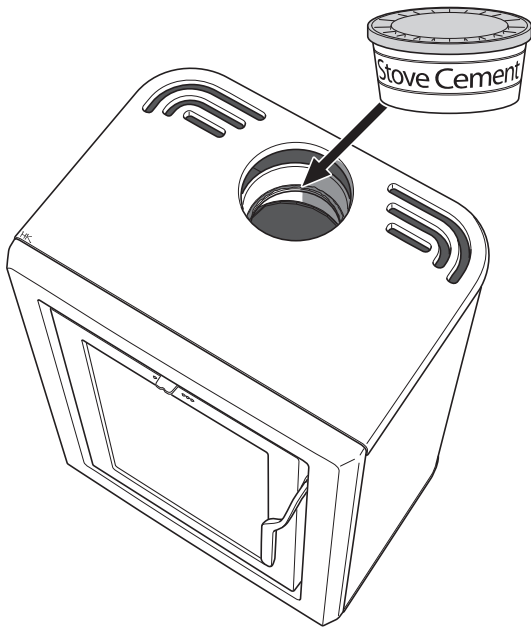
In smoke control areas it is mandatory to stop the damper from closing completely. In other areas it's optional.



Adjusting and connecting

Adjusting the stove

- Position the stove on the hearth plate.
- Adjust the height of the four adjustable feet until the stove is horizontal.

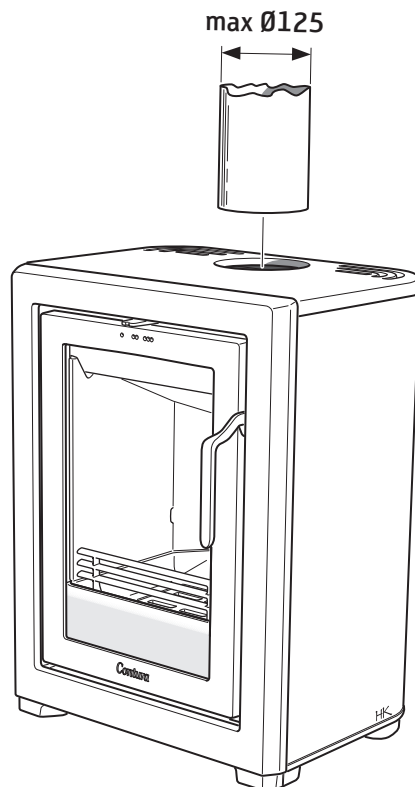


After the stove has been adjusted and positioned according to the installation distances, connection to the chimney is carried out.

Put stove cement inside the flue connection and press the pipe into the connection.

Continue the chimney installation according to the chimney installation instructions.

max Ø125



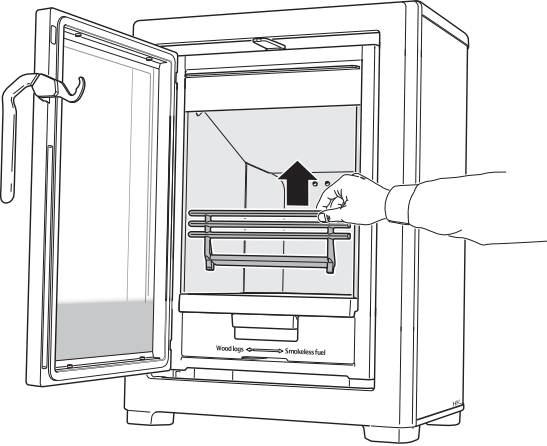
Final inspection of the installation

It is very important that the installation is inspected by an authorised chimney sweep before the stove is used. Also read the "Operating instructions", before lighting for the first time.

Removing the loose components

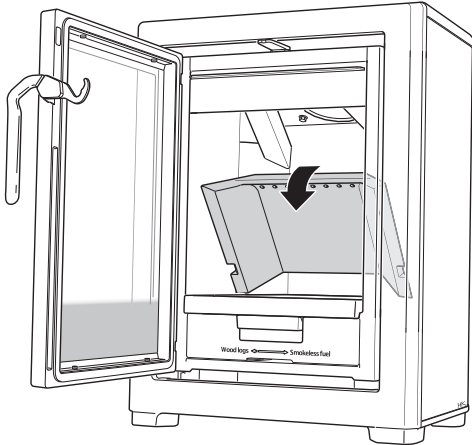
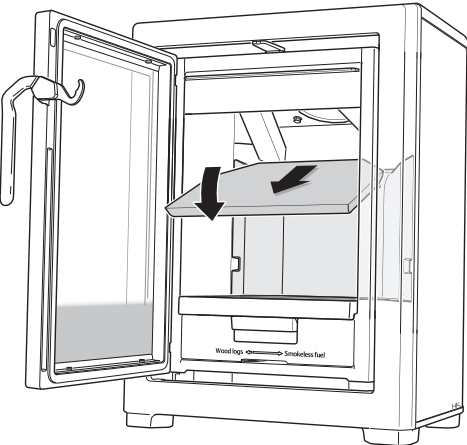
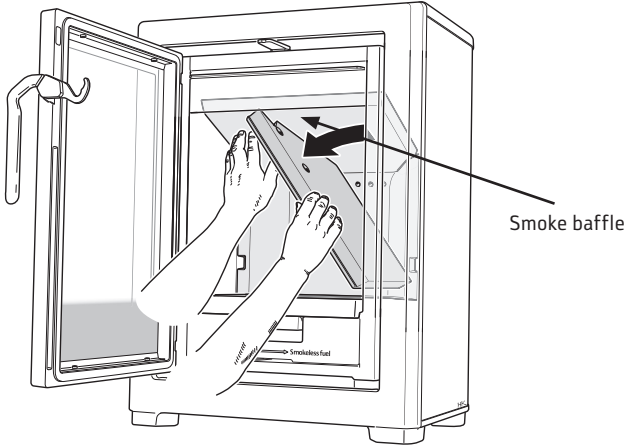
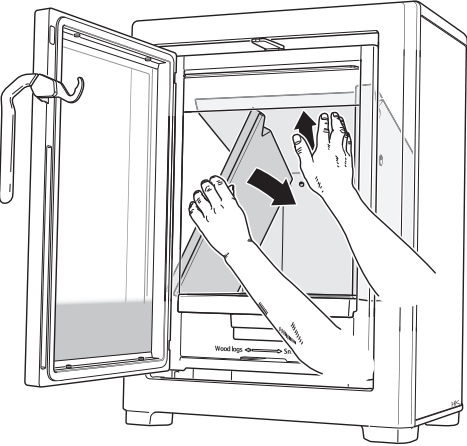
Fire bars

Lift the fire bars straight up, clean the ash from the guide groove in the stove base plate before repositioning it in position.



Fire box surround

When sweeping, the smoke baffle must be lifted out, this can be done when one side has been dismantled.



811191 IAV Ci4 FS GB-3
2021-11-23

Contura

NIBE AB · Box 134 · 285 23 Markaryd · Sweden
contura.eu

Contura reserves the right to change dimensions and procedures described in these instructions at any time without special notice. The current edition can be downloaded from www.contura.eu