

Contura

690 Style

690G Style



SE

Fakta	3
Installationsavstånd	4
Prestandadeklaration	5
EU-försäkran om överrenskommelse	6
Montering	39

DE

Fakten	7
Installationsabstände	8
Leistungsdeklaration	9
EU-Konformitätserklärung	10
Montage	39

NO

Fakta	11
Installasjonsavstand	12
Ytelseserklæring	13
EU-samsvarserklæring	14
Montering	39

FR

Données Techniques	15
Distances d'installation	16
Déclaration des performance	17
Déclaration de conformité UE	18
Montage	39

GB

Facts	19
Installation distances	20
Declaration of performance	21
EU Declaration of Conformity	22
Assembly	39

DK

Fakta	23
Installationsafstand	24
Præstationserklæring	25
EU-overensstemmelseklæring	26
Montering	39

FI

Tiedot	27
Asennusetäisyys	28
Suoritusasoilmoitus	29
EU-vaatimustenmukaisuusvakuutus	30
Asennus	39

IT

Dati Tecnici	31
Distanze di sicurezza	32
Dichiarazione di prestazione	33
Dichiarazione di Conformità UE	34
Montaggio	39

NL

Gegevens	35
Installatieafstand	36
Prestatieverklaring	37
EU-conformiteitsverklaring	38
Monteren	39

Facts



3-9 kW



1650 mm



540 mm



495 mm



133 kg

Nominal effect	6 kW
Efficiency	86 %
Flue gas mass flow	4,7 g/s

Type approved in accordance with:

European standard EN-13240
NS 3059 (Norway)
BImSchV.2 (Germany)
Art. 15a B-VG (Austria)
Clean Air Act. (UK)



The stove becomes very hot

During operation, certain surfaces of the stove become very hot and can cause burn injury if touched. Be aware of the strong heat radiated through the hatch glass. Placing flammable material closer than the safe distance indicated may cause a fire. Pyre lighting can cause quick gas ignition with the risk of damage to property and personal injury.

Installation by authorised technician

This manual contains instructions about how the stoves must be assembled and installed. To ensure the function and safety of the stove, we recommend that the installation is carried out by an authorised technician. Contact one of our dealers who can recommend suitable technicians.

Building application

These main instructions may give guidance which would contravene national building regulations. Please refer to supplementary instructions or ask your local authority for advice regarding building regulations. Before installing a stove or erecting a chimney it is necessary for you to make a building application permission to your local authority. The owner of the house is personally responsible for ensuring compliance with the mandatory safety requirements and must have the installation approved by a qualified inspector. Your local chimney sweep must also be informed about the installation as this will affect the routines for regular chimney-sweeping services.

Structural support

Check that the wood joists are strong enough to bear the weight of the stove and chimney. The stove and chimney can usually be placed on a normal wooden joist in a single occupancy house if the total weight does not exceed 400 kg.

Hearth plate

Due to the risk of falling embers, a flammable floor must be protected by a hearth plate. It must extend 300 mm in front of the stove and 100 mm on each side of the stove, or have a 200 mm extension on each side of the opening. The hearth plate can consist of natural stone, concrete, metal plate or glass. A glass hearth plate is available as an accessory for these models.

Final inspection of the installation

It is extremely important that the installation is inspected by an authorised chimney sweep before the stove is used. Also read the "Lighting instructions", before lighting for the first time.

Connection to chimney

- The stove must be connected to chimneys dimensioned for a minimum flue gas temperature of 400°C.
- The external diameter of the connection sleeve is 150 mm.
- Normal chimney draw under nominal operation should be between 20-25 Pa close to the connector. The draft is affected both by the length and area of the chimney, and by how well sealed it is. The recommended minimum flue length is 3.5 m and its diameter should be Ø130 to Ø150 mm.
- A flue with sharp bends and horizontal routing reduces the draught in the chimney. Maximum horizontal flue is 1 m, on the condition that the vertical flue length is at least 5 m.
- It must be possible to sweep the full length of the flue and the soot hatches must be easily accessible.
- Carefully check that the chimney is sealed and that there is no leakage around soot hatches and flue connections. See page 40.

Supply of combustion air

When a stove is installed in a room, the demand for air supply to the room increases. Air can be provided indirectly via a vent in the outer wall or via a duct from the outside that is connected to the connector on the underneath of the stove. The amount of air needed for combustion is 15 m³/h.

The connector for the combustion air has an external diameter of 67 mm. When duct routing further than 1 m the pipe diameter must be increased to 100 mm and a correspondingly larger wall vent must be selected.

In hot areas, the duct should be insulated with 30 mm mineral wool with a moisture inhibiting outer cover. It is also important to seal around the hole in the wall (or floor) of the lead-in using sealant.

A 1 m length of condensation insulated ducting for combustion air is available as an accessory.

Installation distances

C690 / C690G Style

WHEN INSTALLING TURNTABLE (OPTION) the following installation distances do not apply. See the separate turntable installation instructions.

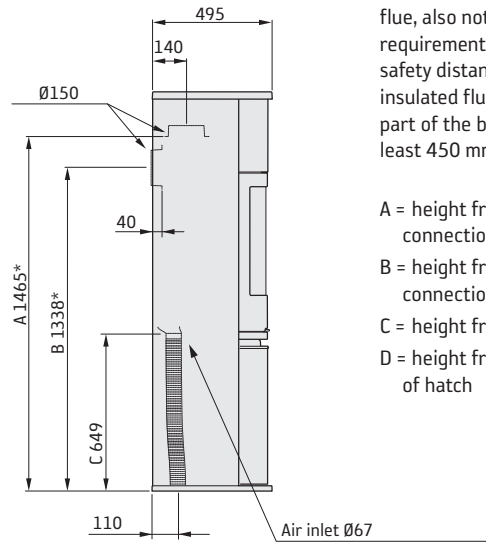
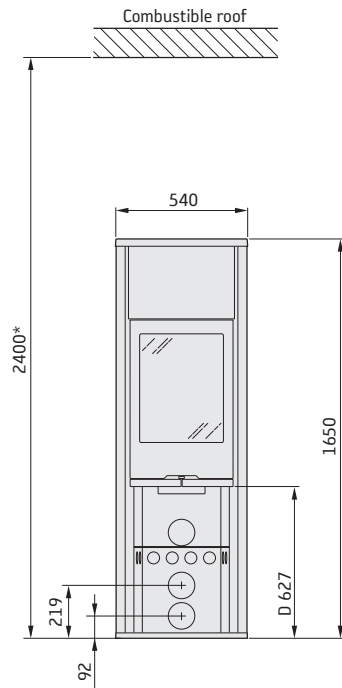


A separate glass hearth plate (accessory) increases the connection height to the chimney by 10 mm.

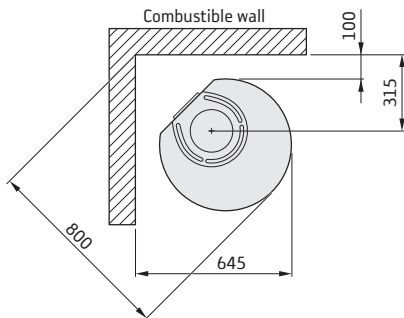
The minimum distance in front of the stove opening to combustible parts of the building or interior decoration must be at least 1,2 m.

The dimension diagrams only show the minimum permitted installation distances for the stove. When connecting to a steel flue, also note the safety distance requirements of the flue. The safety distance between an un-insulated flue and a combustible part of the building should be at least 450 mm.

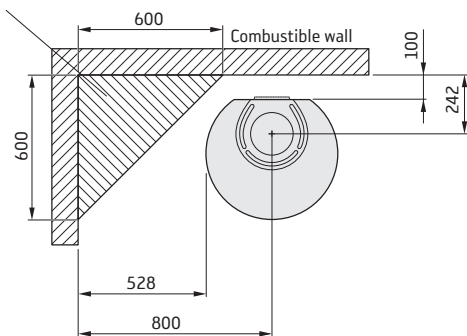
- A = height from floor to chimney connection upwards
- B = height from floor to c/c chimney connection rear
- C = height from floor to air inlet
- D = height from floor to lower edge of hatch



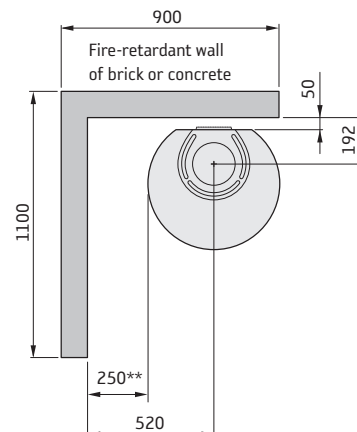
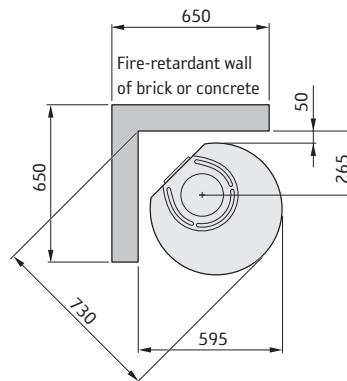
INSTALLATION AGAINST COMBUSTIBLE WALLS



Permitted area for combustible parts of the building



INSTALLATION AGAINST FIREWALLS



* If the stove is placed on a hearth plate made of glass for example (accessory), the height from the floor is affected by a distance corresponding to the thickness of the hearth plate, for a free standing glass hearth plate this is 10 mm.

** To prevent discolouration of painted non-flammable walls we recommend that the same side distance as to combustible walls is used.

Declaration of performance according to Regulation (EU) 305/2011

No. C690-CPR-220901

Contura

PRODUCT

Type Wood burning stove
Trade name Contura 690
Intended area of use Heating of rooms in residential buildings
Fuel Wood

MANUFACTURER

Name NIBE AB / Contura
Address Box 134, Skulptörvägen 10
SE-285 23 Markaryd, Sweden

VERIFICATION

According to AVCP System 3
European standard EN 13240:2001 / A2:2004 / AC:2007
Test institute Rein-Ruhr Feuerstätten Prüfstelle, NB 1625.

DECLARED PERFORMANCE

ESSENTIAL CHARACTERISTICS	PERFORMANCE	HARMONISED TECHNICAL SPECIFICATION
Fire safety	Pass	EN 13240:2001 / A2:2004 / AC:2007
Fire classification	A1	
Minimum distance to flammable materials	Rear: 100 mm Side: 528 mm Ceiling: 750 mm Front: 1200 mm Floor: 0 mm Corner: 100 mm	
Fire hazard due to burning fuel falling out	Pass	
Cleanability	Pass	
Emissions from combustion	CO: 1500 mg/ m ³ NOx: 200 mg/ m ³ OGC: 120 mg/ m ³ PM: 40 mg/ m ³	
Surface temperatures	Pass	
Temperature on the handle	Pass	
Mechanical resistance	Pass	
Temperature in the space for wood storage	Pass	
Nominal output	6,0 kW	
Efficiency	86,0%	
Flue gas temperature at nominal output	206°C	
Flue gas temperature in flue spigot	247°C	

The undersigned is responsible for the manufacture and conformity with the declared performance.



Niklas Gunnarsson, Business area manager NIBE STOVES
Markaryd, 1st September 2022



EU Declaration of Conformity

Manufacturer	NIBE AB / Contura
Address	Box 134, Skulptörvägen 10 285 23 Markaryd, Sweden
E-Mail	info@contura.se
Website	www.contura.eu
Telephone	+46 433 275100

Contura

THIS DECLARATION OF CONFORMITY IS ISSUED UNDER OUR SOLE RESPONSIBILITY FOR THE FOLLOWING PRODUCT:								
Trade name		Contura 600 Style-series 610 (A) / 620 (T) / 690 (A/T)						
Identification of product		www.contura.eu						
THE OBJECT OF THE DECLARATION DESCRIBED ABOVE IS IN CONFORMITY WITH -								
THE RELEVANT UNION HARMONIZATION LEGISLATION:				THE RELEVANT HARMONIZED STANDARDS:				
DIR 2009/125/EC		EN 13240:2001/A2:2004/AC:2007						
REG (EU) 2015/1185		CEN/TS 15883:2010						
REG (EU) 2015/1186								
REG (EU) 2017/1369								
REG (EU) 305/2011								
TECHNICAL DOCUMENTATION								
Indirect heating functionality:		No						
Direct heat output:		6,0 kW						
Energy Efficiency Index (EEI):		114,7						
Test report		RRF 40 17 4615, NB 1625						
FUEL	PREFERRED FUEL	OTHER SUITABLE FUEL	η_s (%)	EMISSIONS AT NOMINAL HEAT OUTPUT				
				PM	OGC	CO	NO _x	
mg/ Nm ³ (13% O ₂)								
Wood logs with moisture content $\leq 25\%$	Yes	No	76,0	40	120	1500	200	
Compressed wood with moisture content $<12\%$	No	Yes	76,0	40	120	1500	200	
Other woody biomass	No	No						
Non-wood biomass	No	No						
Anthracite and dry steam coal	No	No						
Hard coke	No	No						
Low temperature coke	No	No						
Bituminous coal	No	No						
Lignite briquettes	No	No						
Peat briquettes	No	No						
Blended fossil fuel briquettes	No	No						
Other fossil fuel	No	No						
Blended biomass and fossil fuel briquettes	No	No						
Other blend of biomass and solid fuel	No	No						
CHARACTERISTICS WHEN OPERATING WITH THE PREFERRED FUEL								
ITEM	SYMBOL	VALUE	UNIT	ITEM	SYMBOL	VALUE	UNIT	
HEAT OUTPUT				USEFUL EFFICIENCY, BASED ON NET CALORIFIC VALUE (NCV)				
Nominal heat output:	P_{nom}	6,0	kW	Useful efficiency at nominal heat output	$\eta_{th,nom}$	86,0	%	
AUXILIARY ELECTRICITY CONSUMPTION				TYPE OF HEAT OUTPUT/ROOM TEMPERATURE CONTROL				
At nominal heat output	el_{max}	-	kW	Single stage heat output, no room temperature control				Yes
At minimum heat output	el_{min}	-	kW	Two or more manual stages, no room temperature control				No
In standby mode	el_{sb}	-	kW	With mechanic thermostat room temperature control				No
				With electronic room temperature control				No
				With electronic room temperature control plus day timer				No
				With electronic room temperature control plus week timer				No
OTHER CONTROL OPTIONS								
				Room temperature control, with presence detection				No
				Room temperature control, with open window detection				No
				With distance control option				
Specific precautions for assembly, installation, or maintenance.		Fire protection and safety distances to combustible building materials must be observed under all circumstances. A sufficient supply of combustion air must always be guaranteed. Air suction systems can interfere with the combustion air supply.						

The undersigned is responsible for the manufacture and conformity with the declared performance.



Niklas Gunnarsson, Business area manager NIBE STOVES
Markaryd, January 1, 2022

**SE** Montering

Om insatsen behöver läggas ned för att förflyttas bör lösa delar demonteras. Demontering av eldstadsbeklädnad beskrivs i slutet av denna anvisning.

- 1 Galler
- 2 Rostertallrik
- 3 Lock till botten
- 4 Eldstadsbeklädnad (Vermiculit)
- 5 Typskylt
- 6 Brasbegränsare

FR Avant de procéder au montage

Les éléments non fixés devront être déposés si l'insert doit être couché pour être déplacé. Le démontage de l'habillage du foyer est décrite à la fin de ce document.

- 1 Grille
- 2 Grille de déchargement
- 3 Couverture de fond
- 4 Habillage du foyer (Vermiculite).
- 5 Plaque signalétique
- 6 Pare-bûches

FI Ennen asennusta

Jos tulipesä pitää siirtää kyljellään, irto-osat pitää irrottaa. Tulipesän verhoilun irrotus kuvataan ohjeen lopussa.

- 1 Säleikkö
- 2 Ruostumaton teräslautanen
- 3 Pohjakansi
- 4 Tulipesän verhoitus (vermikuliitti)
- 5 Tyypikilpi
- 6 Suojareunus

DE Vor der Montage

Wenn der Einsatz in liegender Position versetzt werden muss, sind lose Komponenten zu demontieren. Die Demontage der Brennraumauskleidung wird am Ende dieser Anleitung beschrieben.

- 1 Gitter
- 2 Rosteller
- 3 Bodenabdeckung
- 4 Brennraumauskleidung (Vermiculit)
- 5 Typenschild
- 6 Stehrost

GB Prior to installation

If the insert needs to be put down to be moved, loose components should be removed. Removal of the hearth cladding is described at the end of these installation instructions.

- 1 Grille
- 2 Grate disc
- 3 Base cover
- 4 Hearth cladding (Vermiculite)
- 5 Type plate
- 6 Fire bars

IT Prima del montaggio

Se è necessario smontare l'inserto per spostarlo, rimuovere prima i componenti liberi. La procedura di smontaggio del rivestimento del focolare è descritta alla fine delle presenti istruzioni.

- 1 Griglia
- 2 Griglia del braciere
- 3 Coperchio del fondo
- 4 Rivestimento interno del focolare (vermiculite).
- 5 Etichetta prodotto
- 6 Fermalegna

NO Før montering

Hvis innsatsen må legges ned for å flyttes, bør løse deler demonteres. Demontering av brennplater og hvelv er beskrevet mot slutten av denne veiledningen.

- 1 Gitter
- 2 Rist
- 3 Løkk til bunnen
- 4 Brennplater og hvelv (vermiculitt)
- 5 Typeskilt
- 6 Kubbestopper

DK Før opstilling

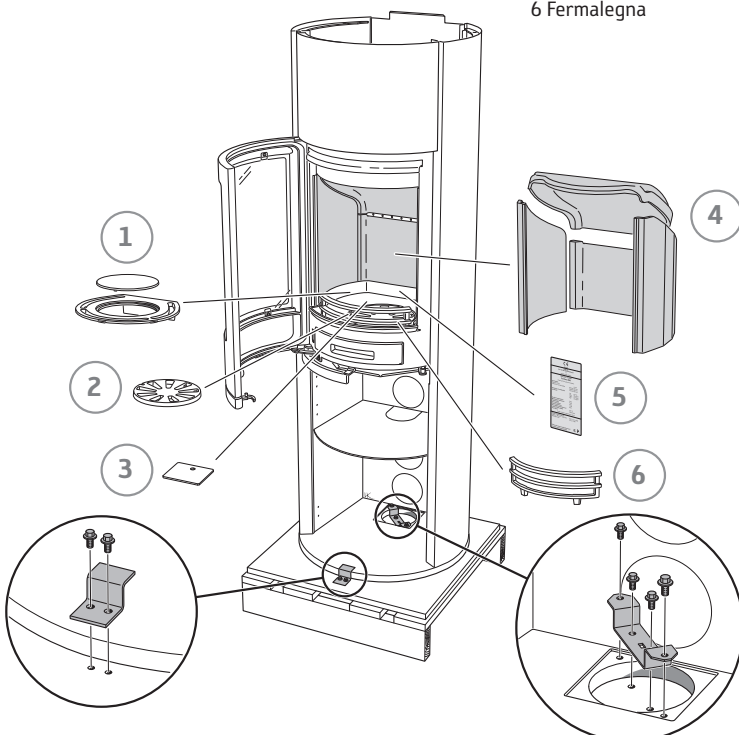
Hvis indsatsen skal lægges ned for at blive flyttet, bør løsdele afmonteres. Afmontering af ovnbeklædning beskrives i slutningen af denne vejledning.

- 1 Gitter
- 2 Rund askerist
- 3 Dæksel til bund
- 4 Ovnbeklædning (Vermiculite)
- 5 Typeskilt
- 6 Brændeholder

NL Voorafgaand aan montage

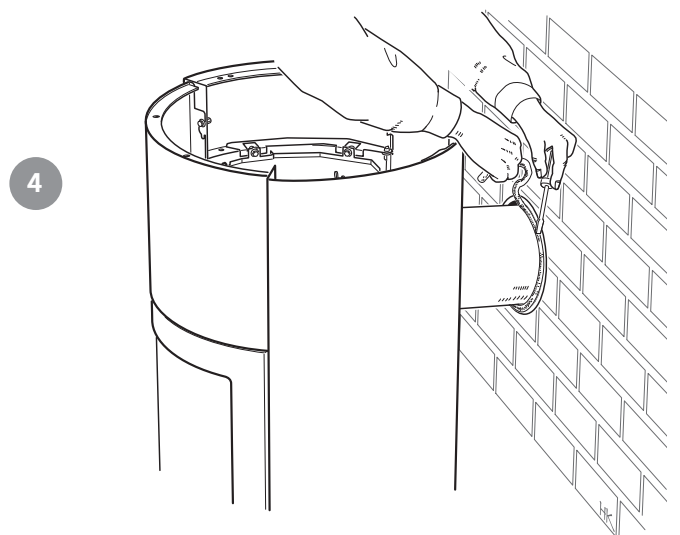
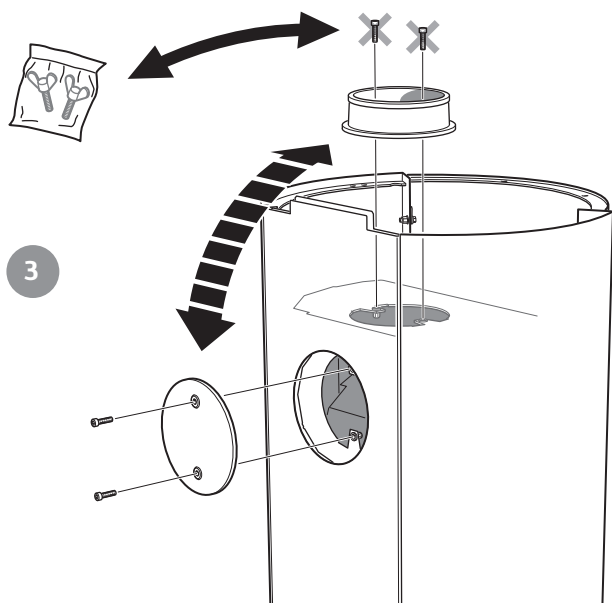
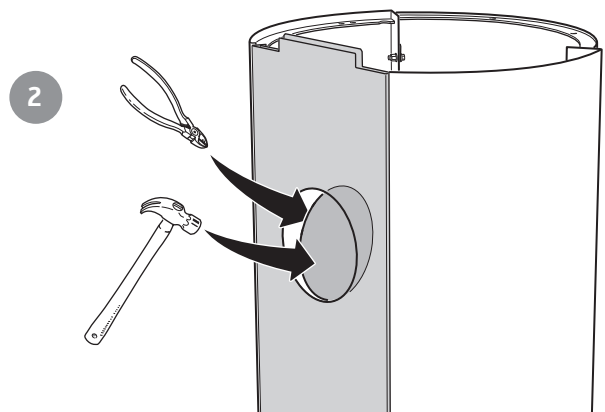
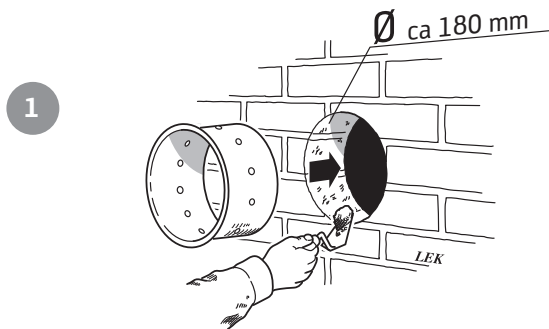
Als de inzet liggend moet worden verplaatst, moeten losse onderdelen worden gedemonteerd. De demontage van de haardbekleding wordt beschreven aan het eind van deze instructies.

- 1 Rooster
- 2 Roosterschijf
- 3 Deksel bodem
- 4 Haardbekleding (vermiculiet)
- 5 Typeplaatje
- 6 Houtvanger



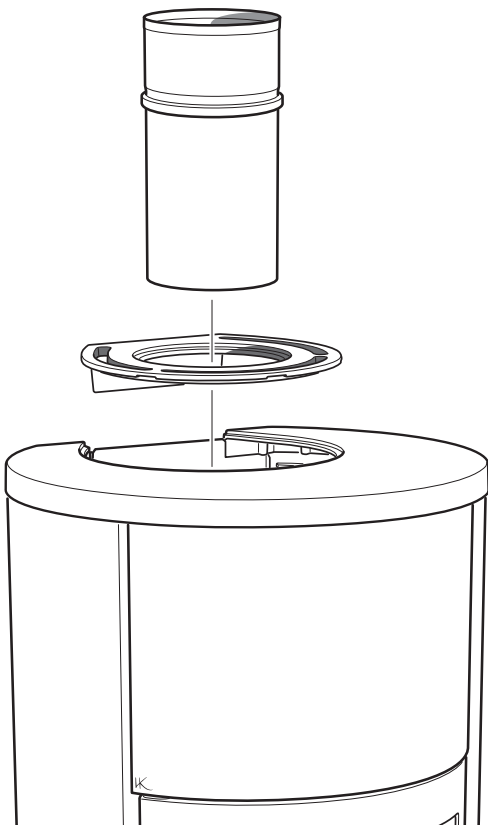


- SE Bakåtanslutning till murad skorsten
- DE Rückseitiger Anschluss an einen gemauerten Schornstein
- NO Bakmontering til murt skorstein
- FR Raccordement par l'arrière à une cheminée de maçonnerie
- GB Rear connection to a masonry chimney
- DK Tilslutning bagud til muret skorsten
- FI Liitäntä taaksepäin muurattuun savupiippuun
- IT Collegamento alla canna fumaria in muratura dal retro della stufa
- NL Achterwaartse aansluiting op een gemetselde schoorsteen



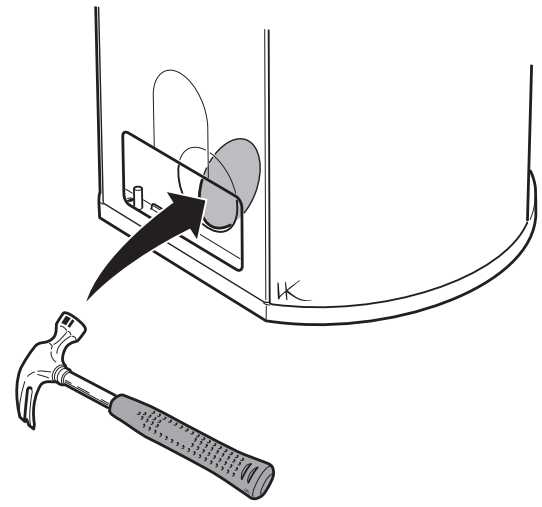


- SE** Toppanslutning till skorsten
Varmluftsgallret måste vara monterat innan skorstenen toppansluts.
- DE** Oberseitiger Anschluss an den Schornstein
Das Warmluftgitter muss montiert sein, bevor ein Schornsteinanschluss an der Oberseite erfolgt.
- NO** Toppmontering til skorstein
Varmluftsgitteret må være montert før skorsteinen topptilkobles.
- FR** Raccordement par le haut
Monter la grille d'air chaud avant le raccordement à la cheminée par le haut.
- GB** Top connection to the chimney
The hot air grille must be installed before chimney top connection.
- DK** Toptilslutning til skorsten
Varmluftristen skal være monteret, før skorstenen toptilsluttes.
- FI** Liitäntä ylöspäin savupiippuun
Lämminilmaritilä pitää asentaa ennen savupiipun liitäntää ylöspäin.
- IT** Collegamento alla canna fumaria dal piano della stufa
Prima di collegare la canna fumaria al piano della stufa, assicurarsi che la griglia dell'aria calda sia montata.
- NL** Bovenansluiting op een schoorsteen
Het heteluchtrooster moet zijn gemonteerd, voordat de schoorsteen op de bovenansluiting wordt aangesloten.

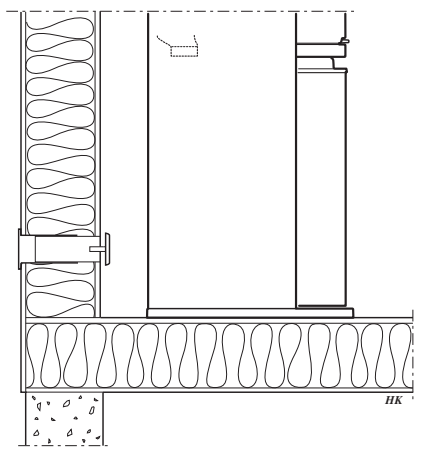




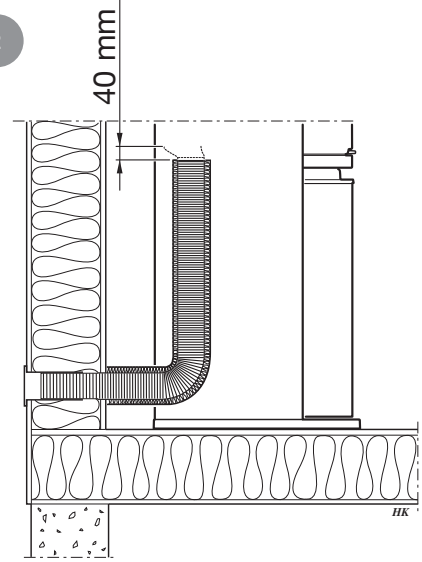
- SE Tilluft
- DE Zuluft
- NO Tilluft
- FR Arrivée d'air
- GB Supply
- DK Forbrændingsluft
- FI Tuloilma
- IT Alimentazione dell'aria
- NL Toevoerlucht



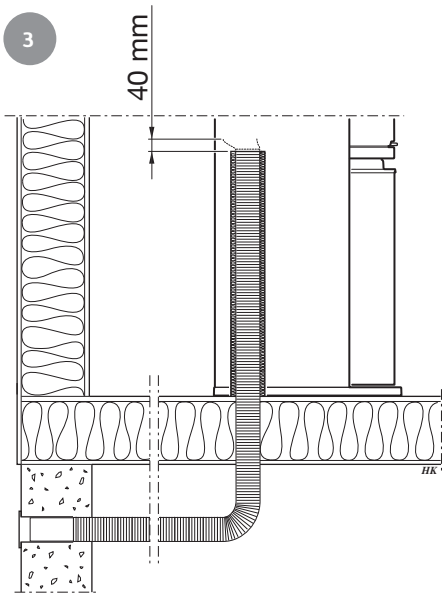
1



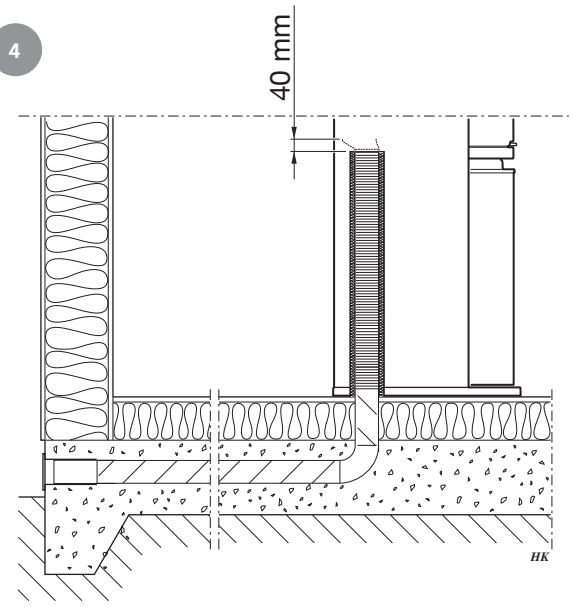
2

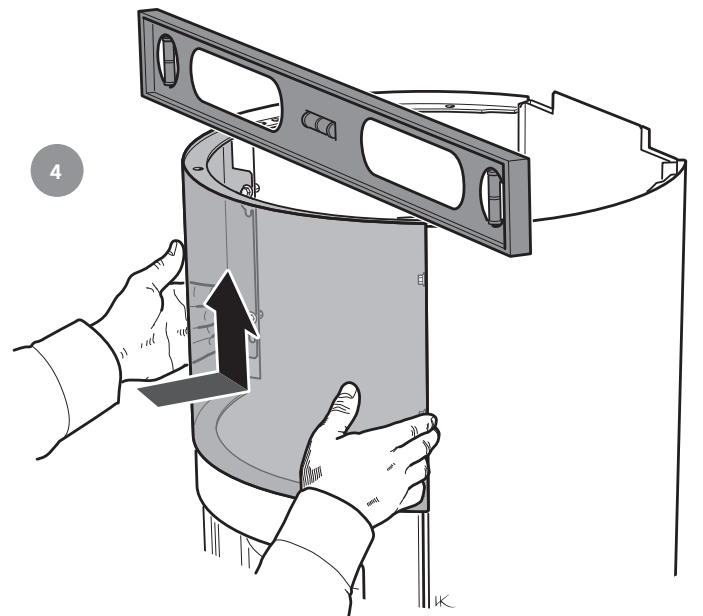
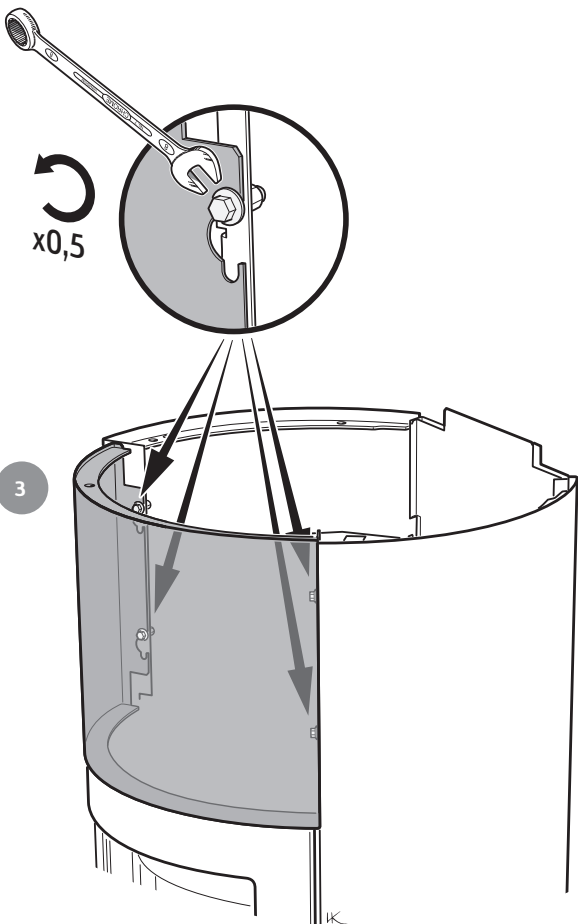
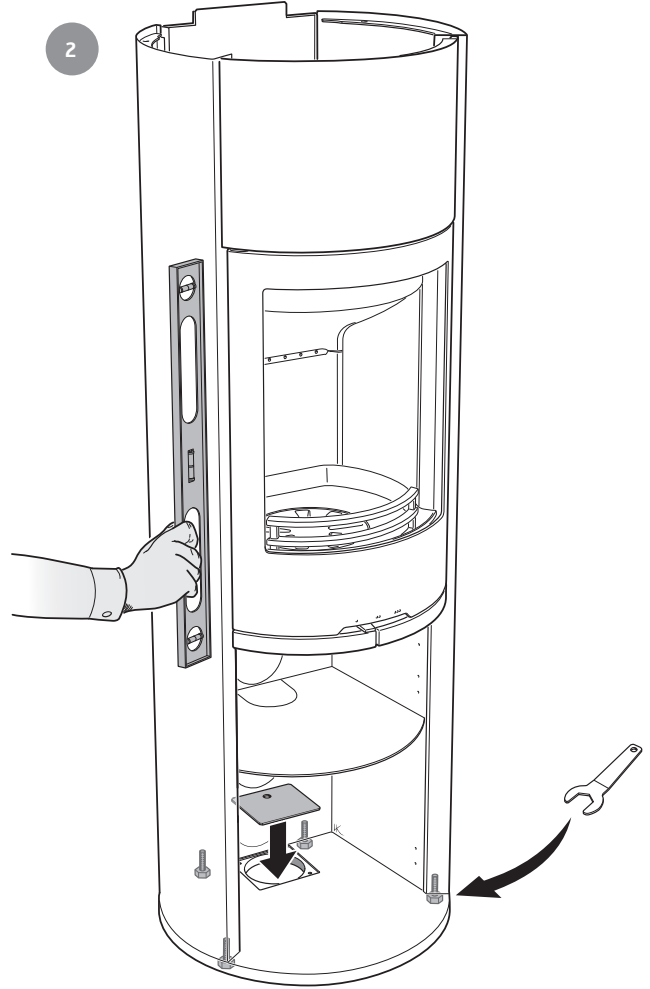
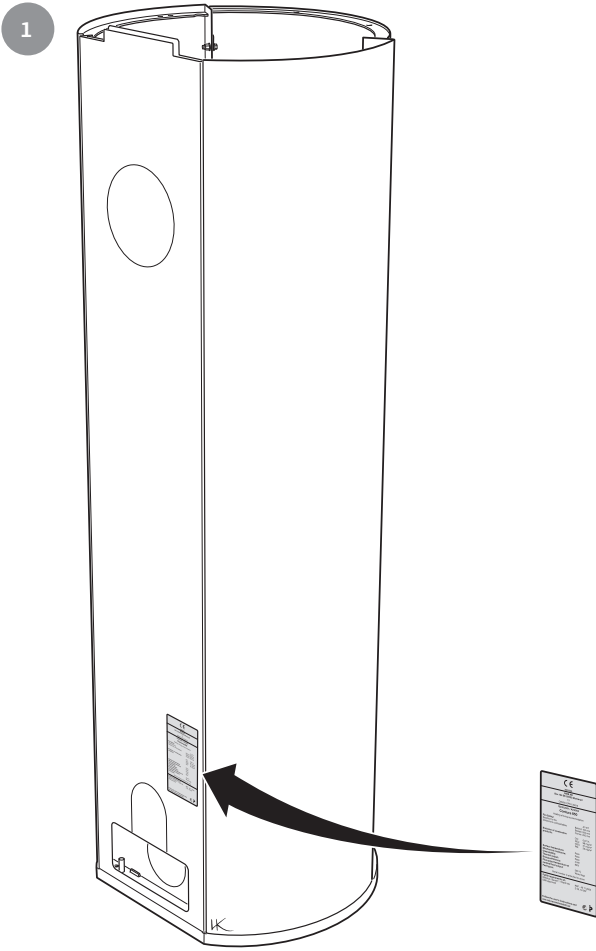


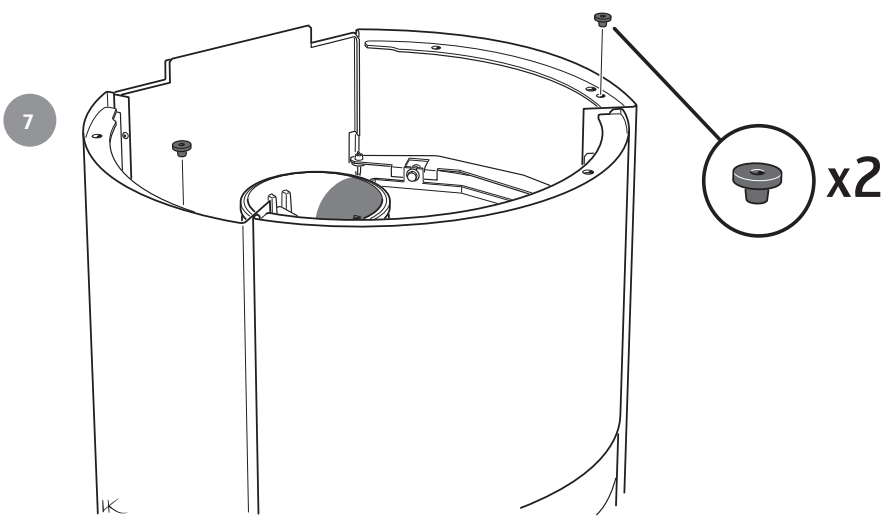
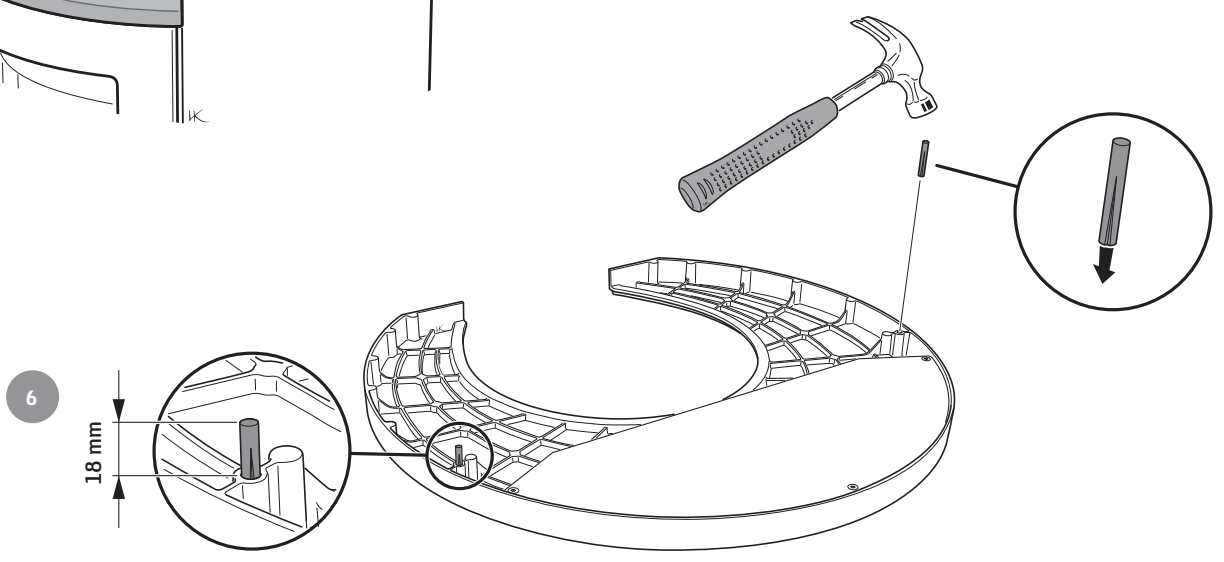
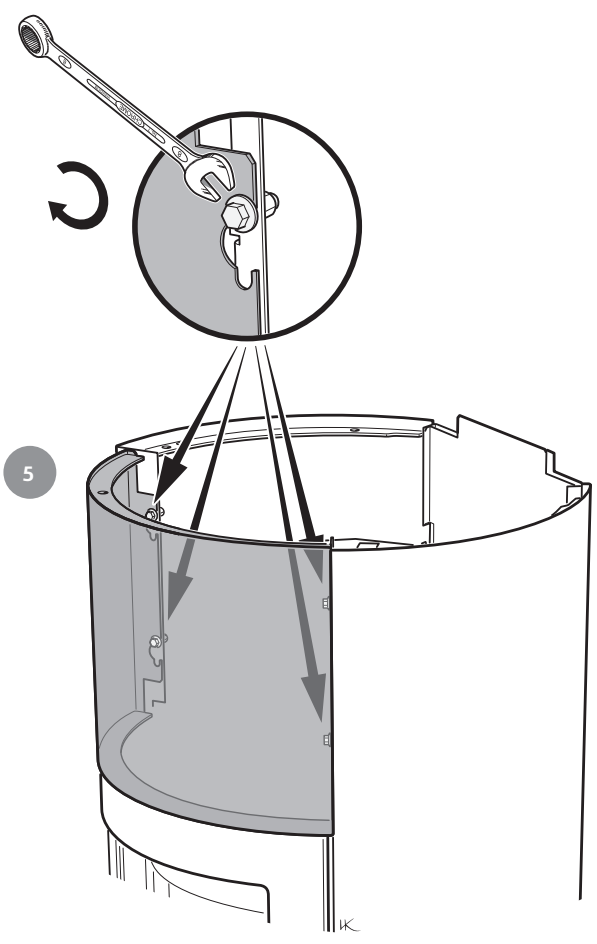
3

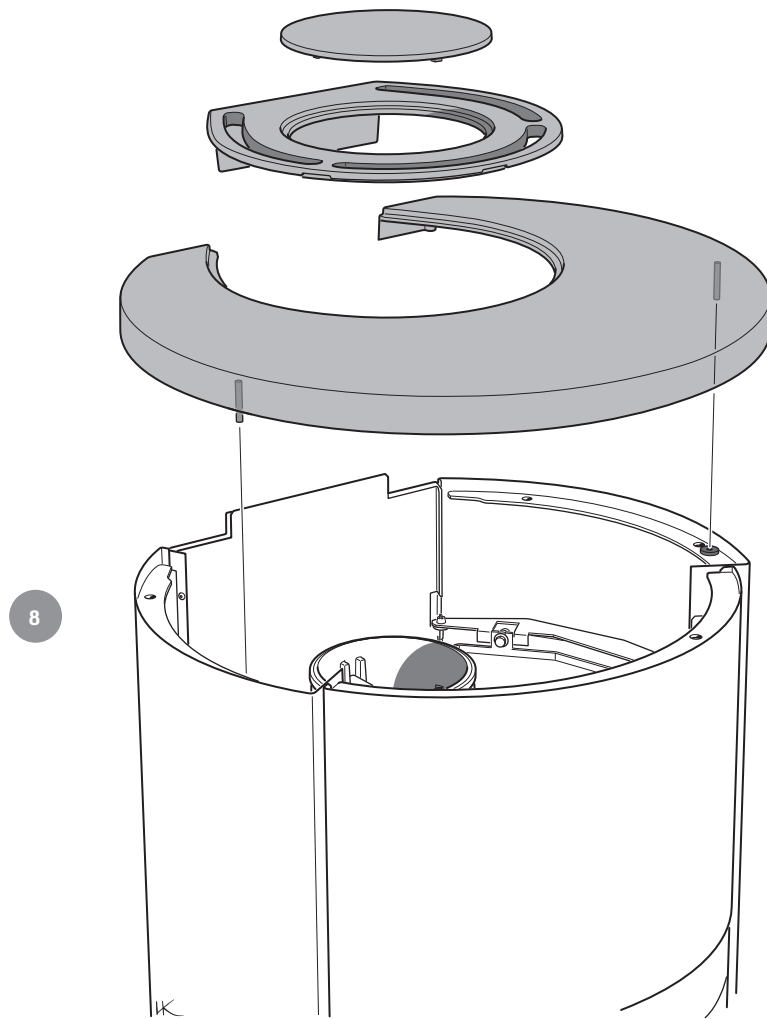


4









- SE** Vid val av värmemagasin gå till nästa sida.
- DE** Blättern Sie bei Auswahl eines Wärmespeichermagazins zur nächsten Seite.
- NO** For å velge varmemagasin, gå til neste side.
- FR** Pour l'option réservoir d'accumulation de chaleur, voir page suivante.
- GB** For the heat tank option, go to the next page.
- DK** Hvis du har valgt varmemagasin, gå til næste side.
- FI** Lämpömakasiinin valintaa varten mene seuraavalle sivulle.
- IT** Per il montaggio dell'accumulatore di calore vedere la pagina successiva.
- NL** Ga bij het kiezen van een warmtemagazijn naar de volgende pagina.

SE Montering av värmemagasin
Tillsammans med stenarna levereras ett spjäll. Stäng spjället efter sista vedilägget för att erhålla maximal avsvålnings-tid. Det är dock viktigt att öppna spjället vid nästa upptändning. Annars hindrar man konvektionsluften att kyla insatsen under pågående eldning.

DE Montage des Wärmespeichermagazins
Mit den Steinen wird eine Klappe geliefert. Schließen Sie die Klappe nach dem letzten Holzauflegen, um eine höchstmögliche Abkühlzeit zu bekommen. Die Klappe muss jedoch unbedingt beim nächsten Anzünden wieder geöffnet werden. Ansonsten wird die Konvektionsluft daran gehindert, den Einsatz während der Befuerung zu kühlen.

NO Montering av varmemagasin
Det leveres et spjeld sammen med steinene. Lukk spjeldet etter at du har lagt inn ved for siste gang, for å oppnå maksimal avkjølingstid. Spjeldet må imidlertid åpnes ved neste opptenning. Hvis ikke hindrer man konveksjonsluften i å kjøle innsatsen under fyringen.

FR Montage du réservoir d'accumulation de chaleur
Un volet est livré avec les plaques en pierre à accumulation de chaleur. Fermer le volet après la dernière flambée, afin de garantir une durée de refroidissement optimale. Il est néanmoins important d'ouvrir le volet lors de la prochaine flambée. On risque autrement d'empêcher l'air de convection de refroidir le foyer durant le chauffage en cours.

GB Installation of heat tank
A damper is supplied with the stones. Close the damper after the last addition of wood to obtain maximum cooling off time. It is important to open the damper at next lighting. Otherwise the convection air is prevented from cooling the insert during the firing.



SE Kamin med spjäll får ej utrustas med fläkt!

DE Kaminöfen mit Ventilator dürfen nicht mit Konvektionsklappen bestückt werden!

NO Peisovn med vifte må ikke utstyres med konveksjonsspjeld!

FR Le poêle doté d'un ventilateur ne doit pas être équipé d'un volet de convection!

GB Stoves with fans must not be equipped with a convection damper!

DK Brændeovne med ventilator må ikke udstyres med konvektionsspjæld!

FI Puhaltimella varustettua takkaa ei saa varustaa kiertoilmapellillä!

IT Le stufe provviste di ventola non possono essere equipaggiate di farfalla di convezione dell'aria!

NL Een kachel met ventilator mag niet worden uitgerust met een convectieklep!

DK Montering af varmemagasin
Der leveres et spjæld sammen med stenene. Luk spjældet efter sidste gang, der lægges brænde på, for at bevare maksimal afkølingstid. Det er dog vigtigt at åbne spjældet ved næste optænding. Ellers forhindrer man, at konvektionsluften køler indsatsen under fyring.

FI Lämpömakasiinin asentaminen
Kivien mukana toimitetaan pelti. Sulje pelti viimeisen puunlisäyksen jälkeen mahdollisimman pitkän jäähtymisajan varmistamiseksi. On tärkeää, että pelti avataan seuraavan lämmityskerran yhteydessä. Muuten konvektioilma ei voi jäähtyä tulipesää lämmityksen aikana.

IT Montaggio dell'accumulatore di calore
Assieme alle pietre viene fornita una ventola. Chiudere la ventola dopo l'ultimo inserimento di legna, per ottenere la massima durata del calore. Tuttavia è importante aprire la ventola alla successiva accensione, altrimenti l'aria di convezione impedisce il raffreddamento del rivestimento durante l'accensione.

NL Montage van warmtemagazijn
Samen met de stenen wordt een klep geleverd. Voor een maximale afkoeltijd sluit u de klep nadat u er voor de laatste keer hout in hebt gelegd. Het is echter van belang om de klep bij de volgende keer ontsteken te openen. Anders kan de convectielucht de inzet tijdens het stoken niet koelen.



SE Vid toppansluten skorsten måste värmemagasinet och spjället monteras före skorstenen.

DE Bei einem oberseitig angeschlossenen Schornstein müssen Wärmespeichermagazin und Klappe vor dem Schornstein montiert werden.

NO Ved toptilkoblet skorstein må varmemagasinet og spjeldet monteres før skorsteinen.

FR Lorsque la cheminée est à raccordement par le haut, le réservoir d'accumulation de chaleur et le volet doivent être montés avant la cheminée.

GB With top connected chimneys, the heat tank and the damper must be installed before the chimney.

DK Ved toptilsluttet skorsten skal varmemagasinet og spjældet monteres før skorstenen.

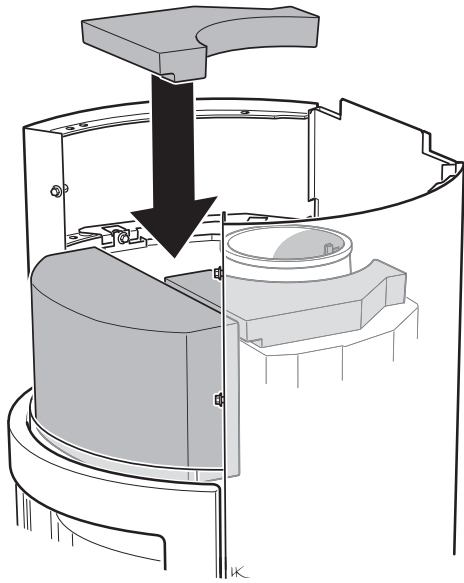
FI Kun takka liitetään ylöspäin savupiippuun, lämpömakasiini ja pelti pitää asentaa ennen savupiippua.

IT Per le stufe con collegamento alla canna fumaria dal top, montare l'accumulatore di calore e la regolazione dell'aria prima del tubo per i fumi.

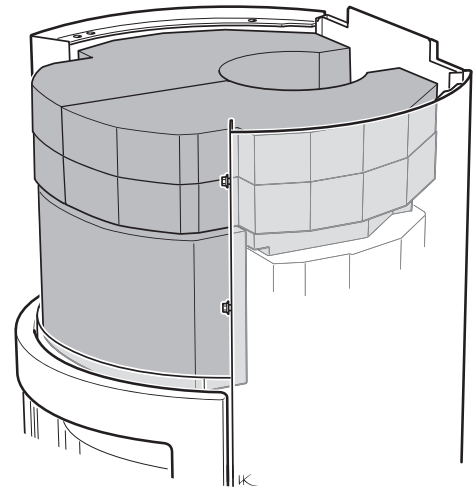
NL Bij een aan de bovenkant aangesloten schoorsteen moeten eerst het warmtemagazijn en de klep worden gemonteerd en dan de schoorsteen.



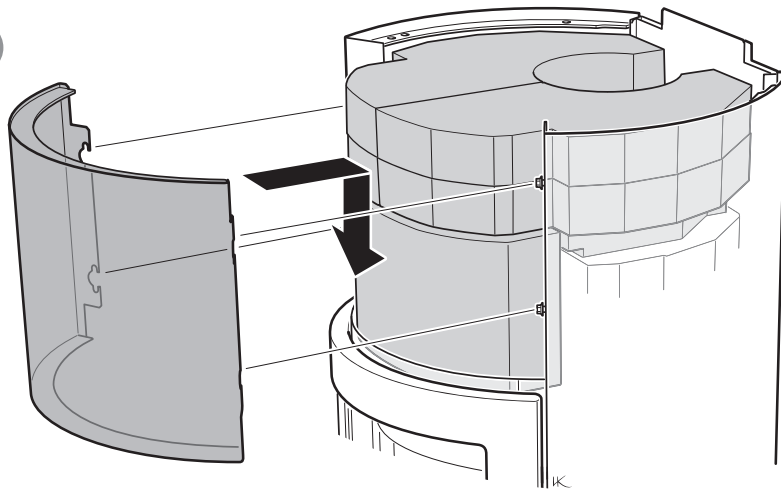
1



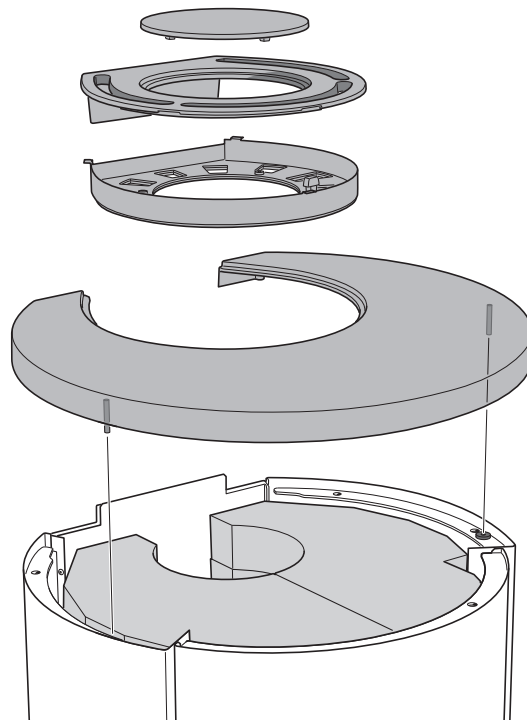
2

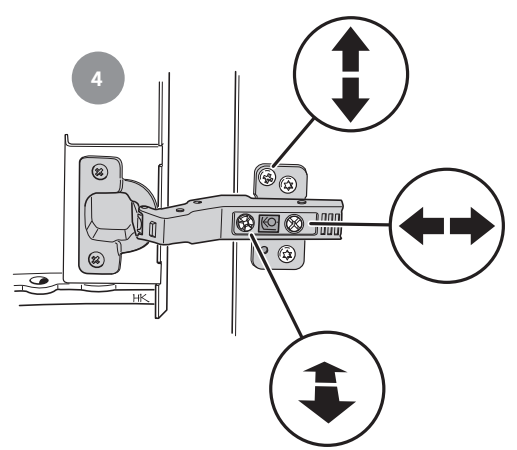
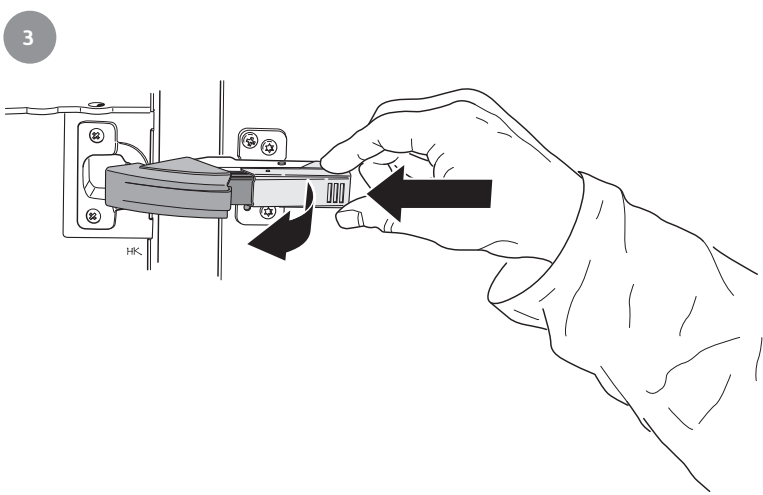
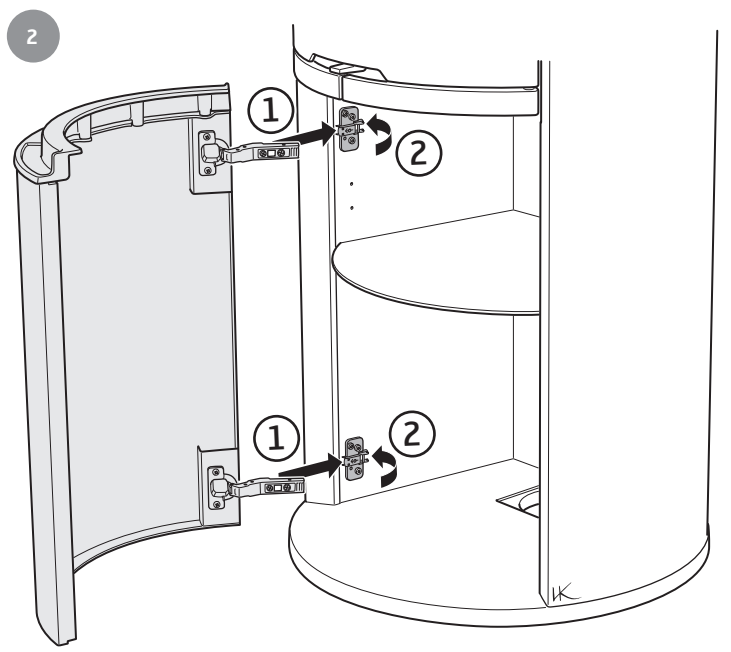
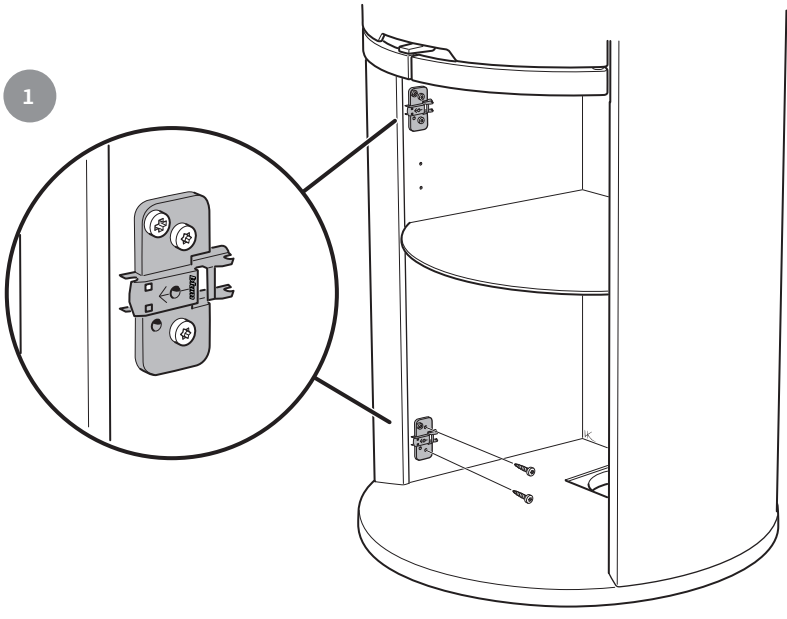


3



4







SE Uppställning av luckan, vid städning/service
Luckan kan spärras i öppet läge, med hjälp av låsarmen på kaminens vänstra sida.

DE Aufstellen der Tür für Reinigung und Service
Mithilfe des Armes an der linken Seite des Kamins kann die Tür in ihrer geöffneten Stellung arretiert werden.

NO Låsing av døren i åpen posisjon, ved rengjøring/service
Døren kan låses i åpen posisjon, ved hjelp av låsearmen på venstre siden av ovnen.

FR Placement de la porte, pour le nettoyage et/ou l'entretien
La porte peut être verrouillée en position ouverte, à l'aide du levier de verrouillage situé sur le côté gauche du poêle.

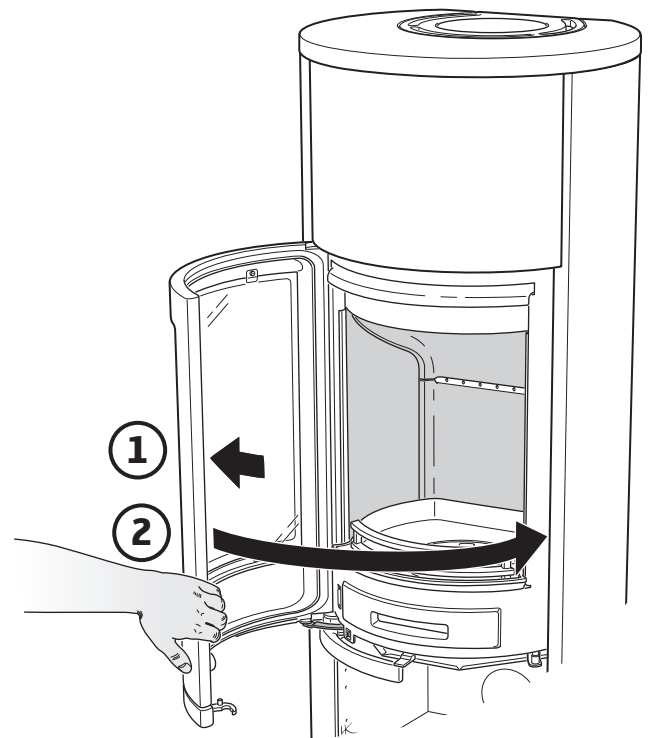
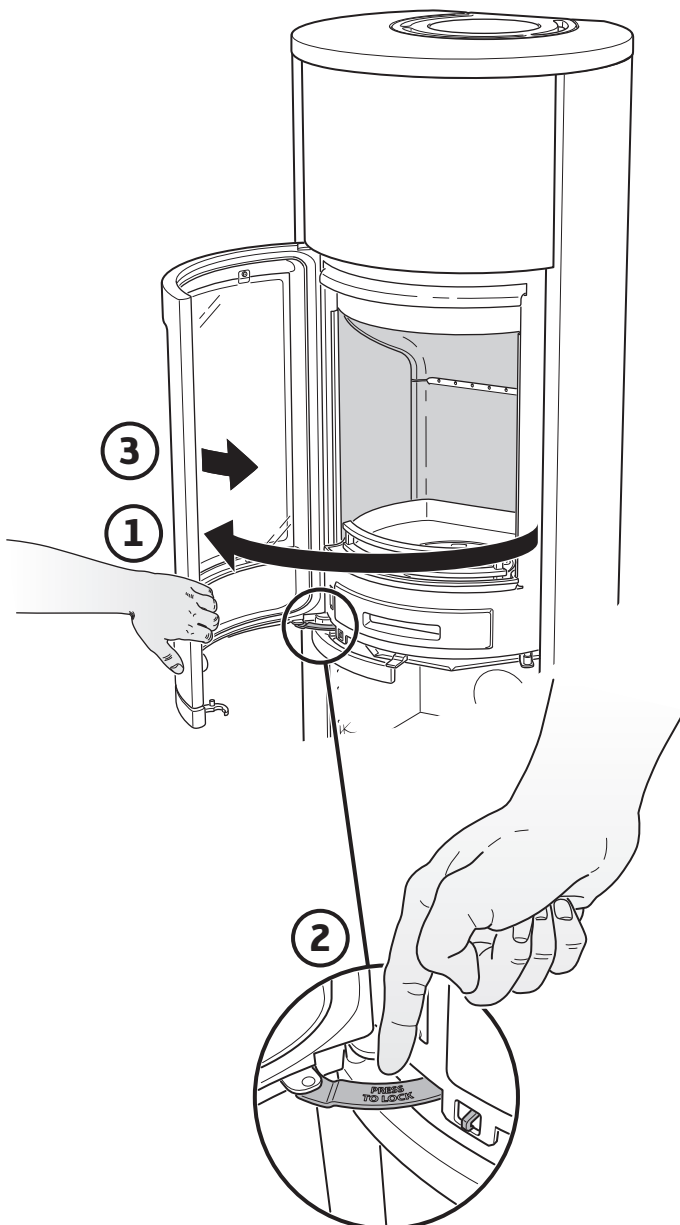
GB Door in open position, for cleaning/service
The door can be secured in the open position using the locking lever on the left side of the stove.

DK Spærring af lågen, ved rengøring/service
Lågen kan spærres i åben position ved hjælp af låsearmen på venstre side af brændeovnen.

FI Luukun asettaminen puhdistusta/huoltoon varten
Luukku voidaan lukita avattuun asentoon takan vasemmalla puolella olevalla lukitusvarrella.

IT Bloccaggio dello sportello per la pulizia/la manutenzione
Lo sportello può essere bloccato in posizione aperta con una levetta di blocco posta sotto la parte sinistra della stufa.

NL Plaatsen van de deur, bij schoonmaken/onderhoud
De deur kan in geopende stand worden vastgezet met behulp van de vergrendeling aan de linkerzijde van de kachel.





- SE Demontera eldstadsbeklädnaden (Vermiculit)
- DE So demontieren Sie die Brennraumauskleidung (Vermiculit)
- NO Slik demonterer du ildstedsbekledning (Vermikulitt)
- FR Voici comment démonter l'habillage du foyer (Vermiculite)
- GB How to remove the hearth surround (Vermiculite)
- DK Sådan afmonterer du ovnbeklædningen (Vermiculite)
- FI Näin irrotat tulipesän verhouksen (vermikuliitti)
- IT Come smontare il rivestimento del focolare (vermiculite)
- NL Zo demonteert u de kachelbekleding (vermiculiet)



Handle with care!

