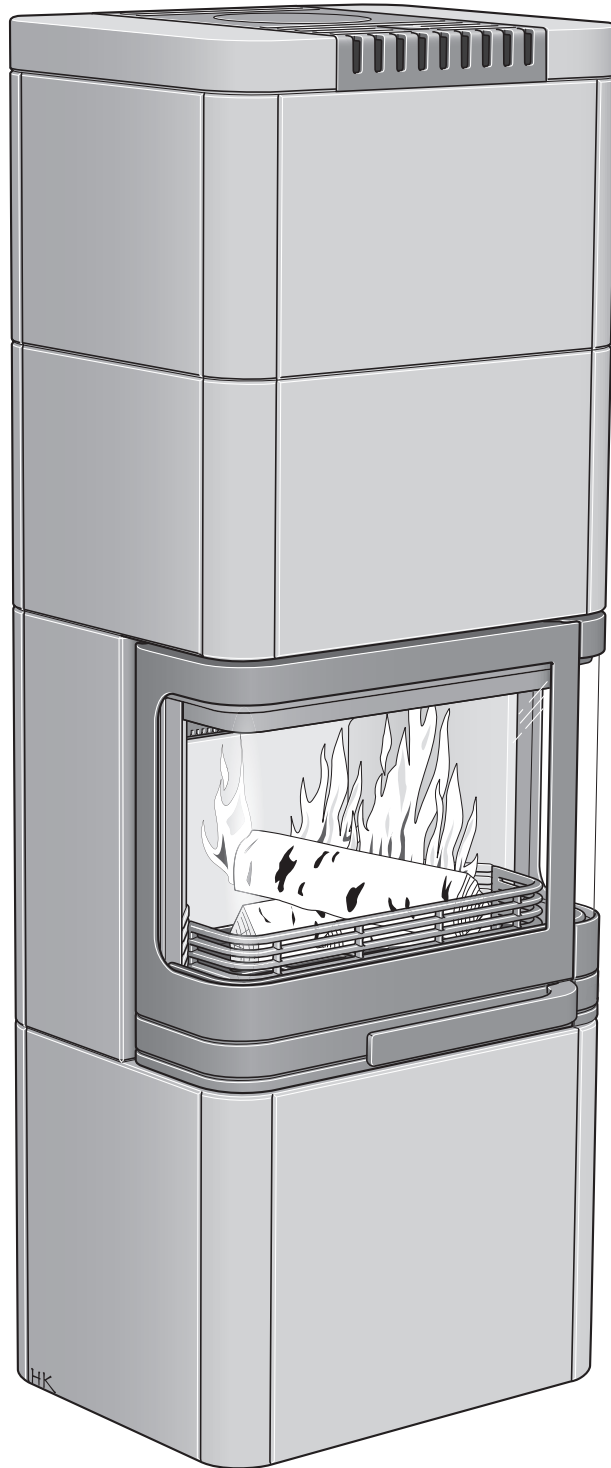


# Installation instructions



C26T High

*Contura*

## PERFORMANCE DECLARATION

No. C26T-CPR-130617-SE-1

# Contura

## PRODUCT

Product type Stove lit with solid biofuels  
 Type designation Contura 26T  
 Manufacturing number See rating plate on the stove  
 Intended area of use Heating of rooms in residential buildings  
 Fuel Wood

## MANUFACTURER

Name NIBE AB / Contura  
 Address Box 134, Skulptörvägen 10  
 SE-285 23 Markaryd, Sweden

## CHECKS

According to AVCP System 3  
 European standard EN 13240:2001 / A2:2004  
 Test institute Rein-Ruhr Feuerstätten Prüfstelle, NB 1625,  
 has checked declared performance and issued test report no. RRF-40 08 1853

## DECLARED PERFORMANCE

Essential characteristics	Performance	Harmonised technical specification
Reaction to fire	A1 WT	EN 13240:2001 / A2:2004
Minimum distance to combustible material	100 mm to rear 600 mm to side Other safety distances according to the installation instructions	
Risk of falling embers	Approved	
Emissions from combustion	CO 0.09% NOx 82 mg/m <sup>3</sup> OGC 43 mg/m <sup>3</sup> PM 22 mg/m <sup>3</sup>	
Surface temperatures	Approved	
Cleaning options	Approved	
Mechanical durability	Approved	
Emissions of hazardous substances	Approved	
Nominal output	6 kW	
Efficiency	79%	
Flue gas temperature in connector at nominal output	280°C	

The undersigned is responsible for the manufacture and conformity with the declared performance.



**Niklas Gunnarsson**, Business area manager NIBE STOVES  
 Markaryd, 1st July 2013



A warm welcome to Contura.

A warm welcome to the Contura family. We hope you will get a great deal of pleasure from your new stove. As a new owner of a Contura stove, you have secured a product with timeless design and long service life. Contura also has a combustion process that is both environmentally friendly and efficient, for the best heat production.

Read through these installation instructions carefully before installation. Read how to best light your stove in the lighting instructions.

### List of Contents

Technical details	68
Supply of combustion air	69
Connection to chimney	70
Installation distances	71
Installation of C26T High	72
Installation of heat reservoir (option)	76

#### NOTE:

**Report the installation of a stove to your local authority.**

The owner of the house is personally responsible for ensuring compliance with the mandatory safety requirements and must have the installation approved by a qualified inspector. Your local chimney sweep must also be informed of the installation, as this will affect the routines for regular chimney-sweeping services.

#### WARNING!

**The stove becomes very hot**

During operation, certain surfaces of the stove become very hot and can cause burn injuries if touched. Also, take heed of the strong heat radiated through the door glass. Placing flammable material closer than the safe distance indicated may cause a fire. Smoulder combustion can cause quick gas ignition with the risk of damage to property and personal injury.

## Technical details

Effect	3-9 kW
Nominal effect	6 kW
Efficiency	79%

<b>Model</b>	<b>C26T High</b>
Weight (kg)	470*
Width (mm)	580
Depth (mm)	462
Height (mm)	1622

\*Weight, C26T with heat reservoir (option) (kg) 590

Type approved in accordance with:  
European standard EN 13240  
Swedish environmental and quality marking,  
P-marking cert. no. 220312  
Norwegian standard NS 3059, SINTEF 110-0223  
German standard DIN EN/ 13240 RRF 40 08 1853

## Important to remember!

### Installation by authorised technician

This manual contains instructions on how the stoves must be assembled and installed. To ensure the function and safety of the stove, we recommend that the installation be carried out by an authorised technician. Contact one of our dealers who can recommend suitable fitters.

### Building permission

Before installing a stove or erecting a chimney, it is necessary for you to make an application for building permission to your local authority. Ask your local authority for advice regarding building regulations and the application.

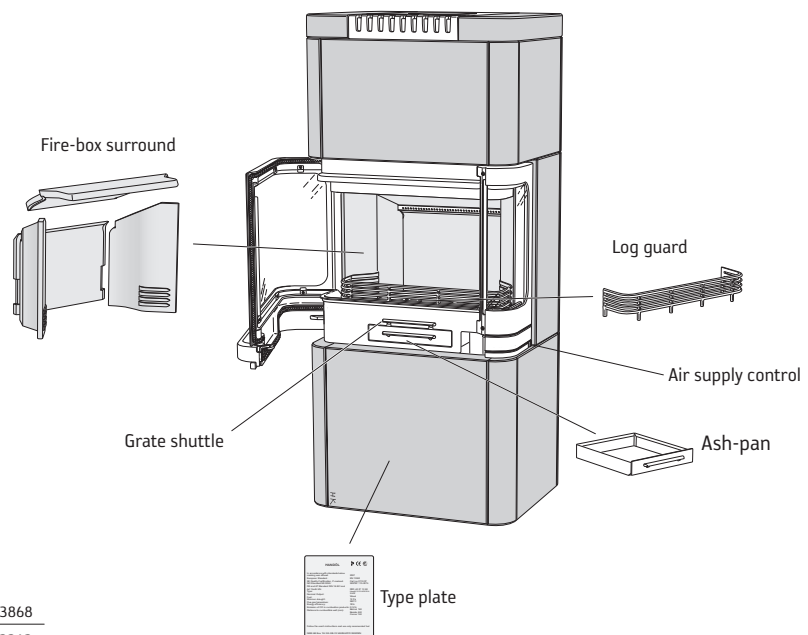
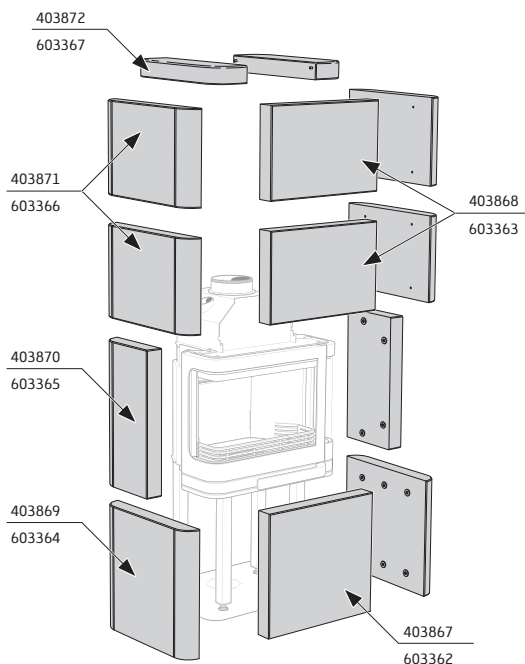
### Structural support

Check that the wood joists are strong enough to bear the weight of the stove and chimney. The stove and chimney can usually be placed on a normal wooden joist in a single occupancy house, if the total weight does not exceed 400 kg.

### Hearth plate

Due to the risk of embers falling out, a flammable floor must be protected by a hearth plate. It must extend 300 mm in front of the stove and 100 mm on each side of the stove, or have a 200 mm extension on each side of the opening. The hearth plate can consist of natural stone, concrete, metal plate or glass. A painted metal or glass hearth plate is available as an accessory for these models.

## Name of the soapstone



## Supply of combustion air

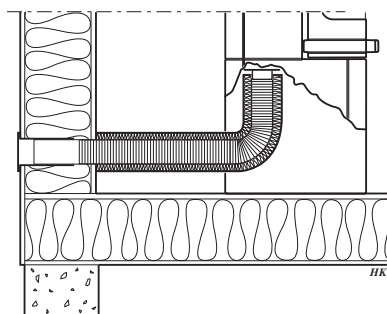
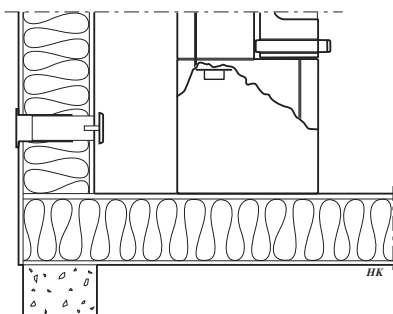
When a stove is installed in a room, the air supply demand to the room increases. Air can be provided indirectly via a vent in the outer wall or via a duct from the outside that is connected to the connector on the underneath of the stove. The amount of air needed for combustion is approx. 25m<sup>3</sup>/h.

The connector has an external diameter of 67 mm. When installing ducts longer than 1 m, the pipe diameter must be increased to 100 mm and a correspondingly larger wall vent must be selected.

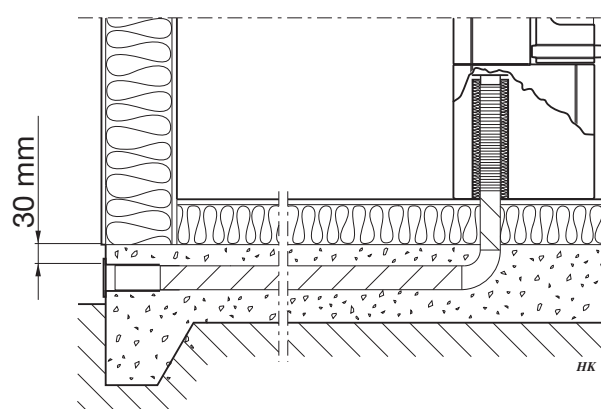
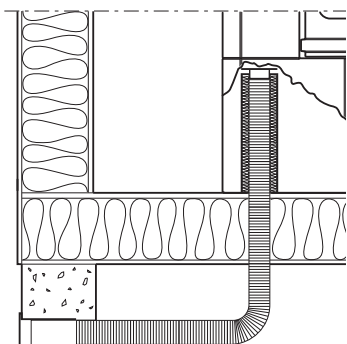
In hot areas, the duct should be insulated with 30 mm mineral wool covered with a moisture barrier (plastic). It is important that the lead-in, between the pipe and the wall (or floor), is sealed using jointing compound.

A 1 m length of condensation-insulated ducting for combustion air is available as an accessory.

### Installation variants



For this type of connection, first remove the valance that sits in front of the back plate's air intake.



In the case of connection through the floor, first remove the knockout in the guide plate and any hearth plate.

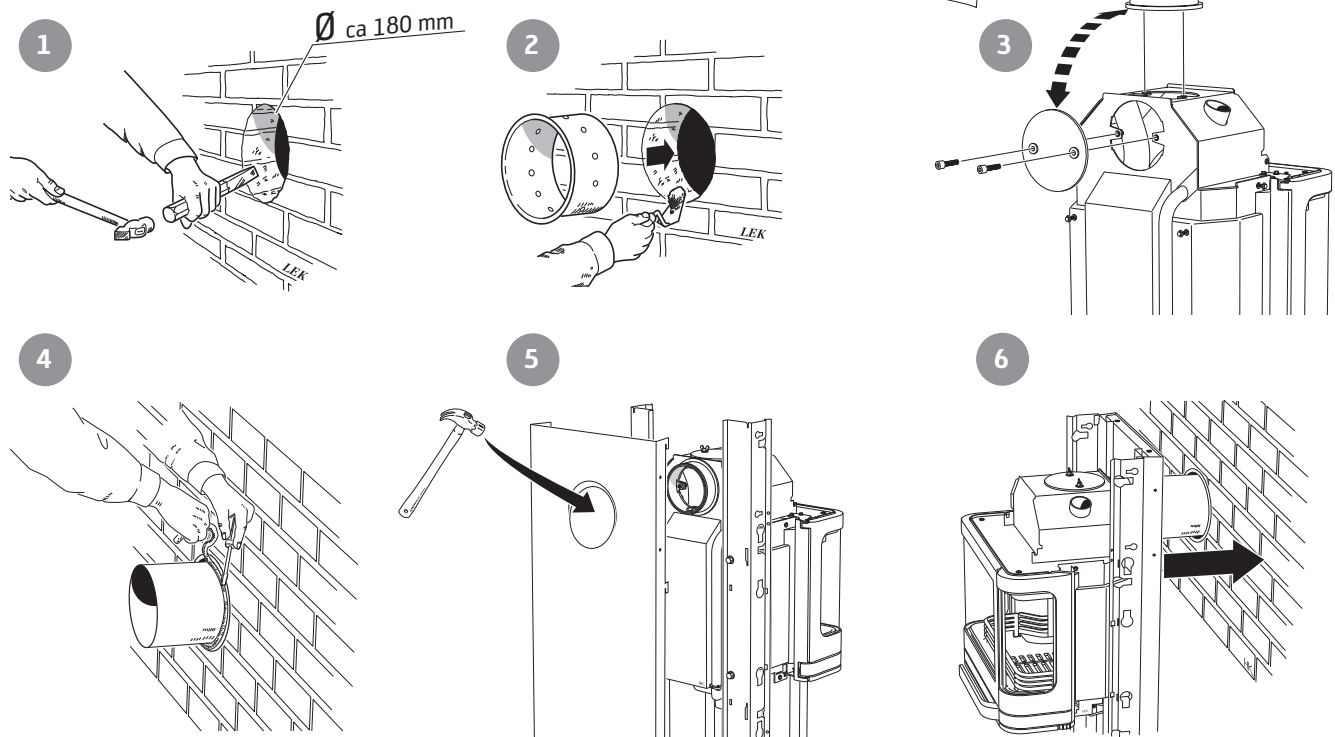
## Connection to chimney

- The stove meets the requirements for connecting to chimneys dimensioned for flue gas temperatures of 350°C.
- The external diameter of the connection sleeve is 150 mm.
- The stove requires a draft in the chimney of at least -12 Pa. The draft is affected both by the length and area of the chimney, and by how well sealed it is. The minimum recommended chimney length is 3.5 m and a suitable cross-sectional area is 150-200 cm<sup>2</sup> (140-160 mm in diameter).
- A flue with sharp bends and horizontal routing reduces the draught in the chimney. The maximum horizontal flue is 1 m, on the condition that the vertical flue length is at least 5 m.
- It must be possible to sweep the full length of the flue and the soot doors must be easily accessible.
- Carefully check that the chimney is sealed and that there is no leakage around soot doors and flue connections.

### Rear connection to a masonry chimney

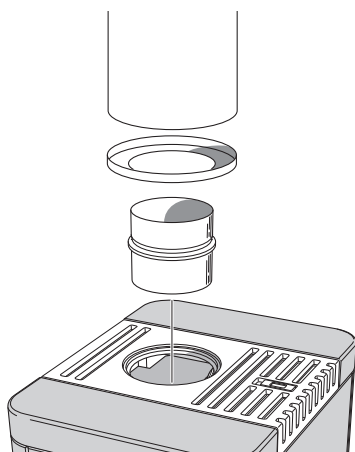
The back panel must be installed before the stove is connected at the rear.

In the bag with these installation instructions are two wing screws for the cover.



### Top connection to the chimney

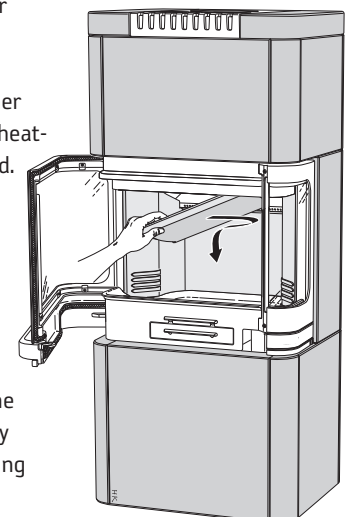
The hot air grille must be installed before the chimney is connected to the top.



Make sure that the connector gasket does not come loose when the connection pipe is placed on the sleeve. If further sealing material is required, heat-resistant sealant may be used.

### Sweeping

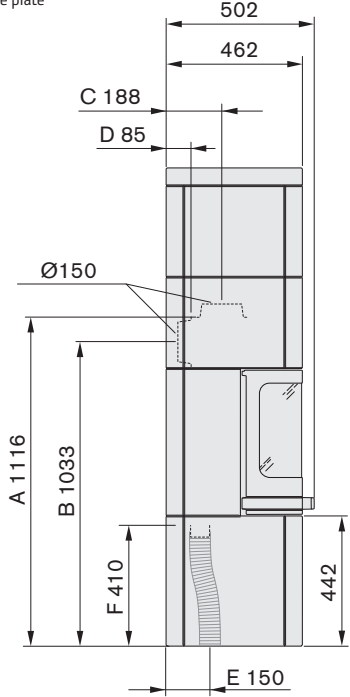
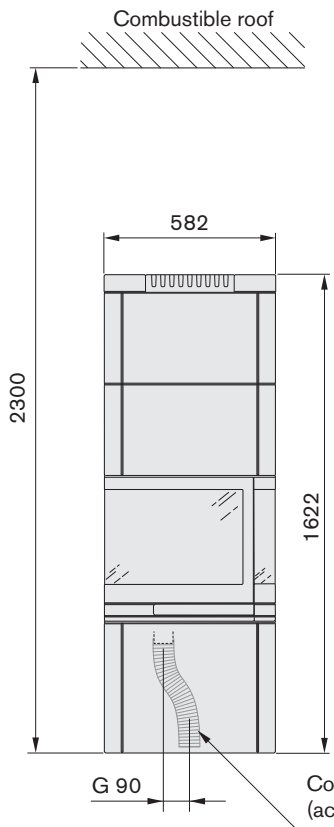
When sweeping, the smoke baffle must be removed; on the Contura 20 series this is easily done by lifting and then pushing the baffle to the side.



# Installation distances

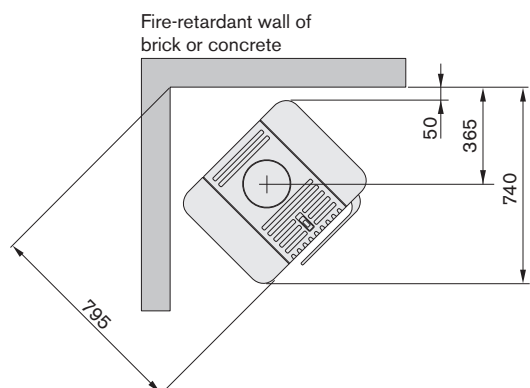
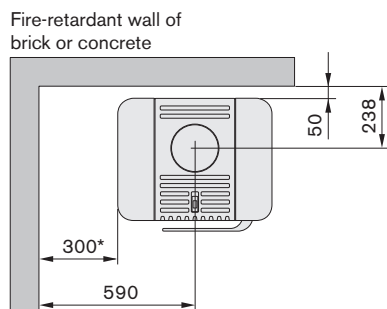
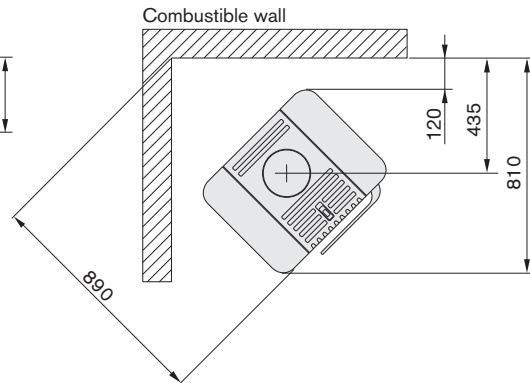
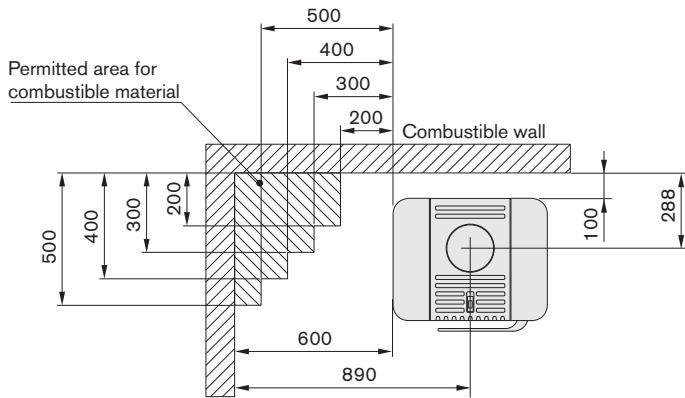
## C26T High

- A = height from floor to chimney connection upwards
- B = height from floor to c/c chimney connection rear
- C = distance from back to c/c chimney connection upwards
- D = distance from back to chimney connection rear
- E = distance from back to hole in guide plate
- F = height from floor to air inlet connector (410 mm)
- G = distance to hole in guide plate



Place the stove on the hearth plate and check that the installation distances are not less than those that are given in the figures below. The minimum distance in front of the stove opening to combustible parts of the building or interior decoration must be at least 1 m.

When top connecting a steel flue, please refer to the particular manufacturer's installation instructions. Observe the safety distance to combustible material that the steel flue requires.



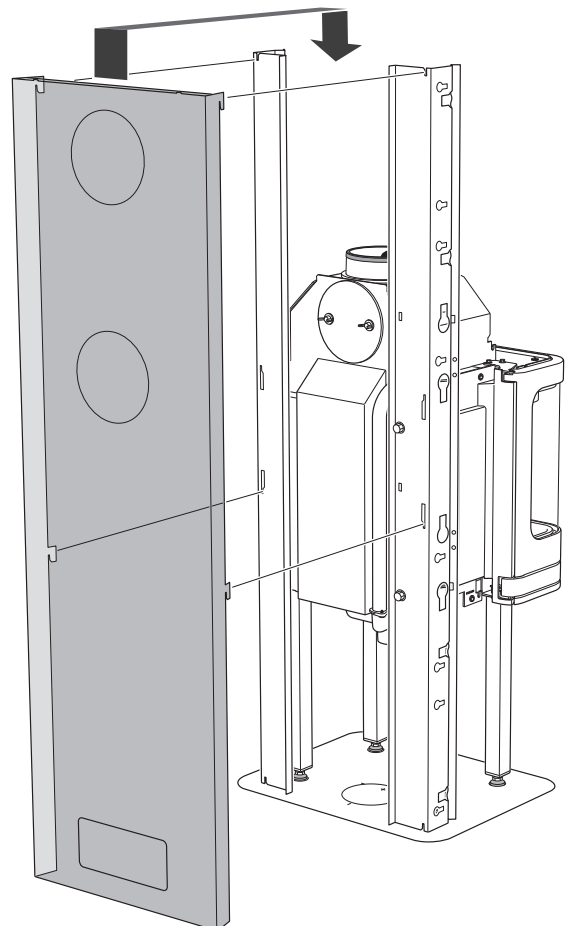
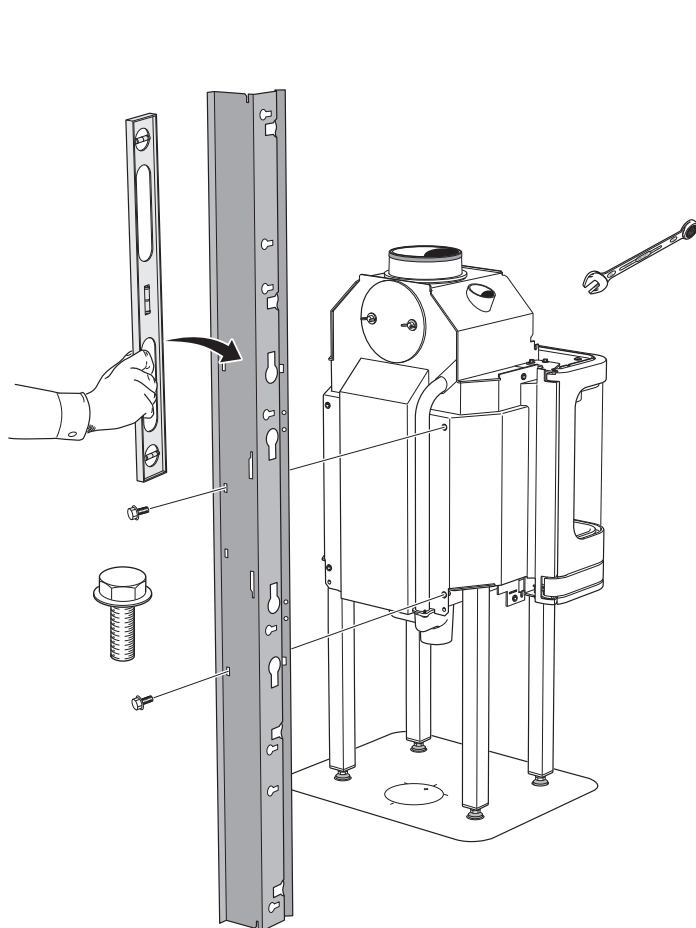
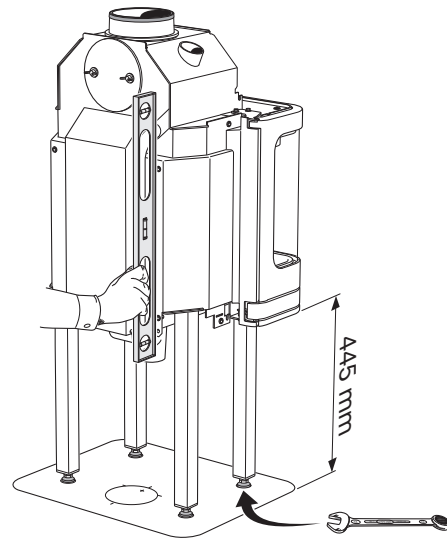
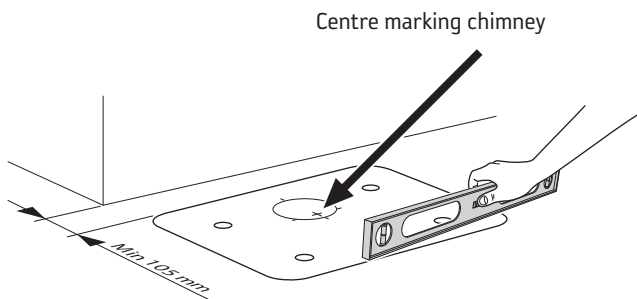
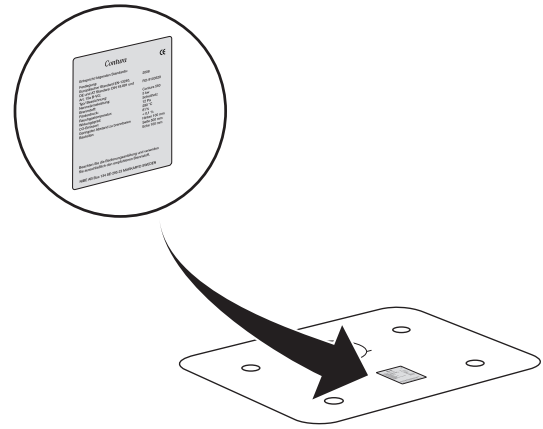
\*To prevent discolouration of painted fire walls, we recommend the same side distance as to combustible walls.

## Installation of C26T High

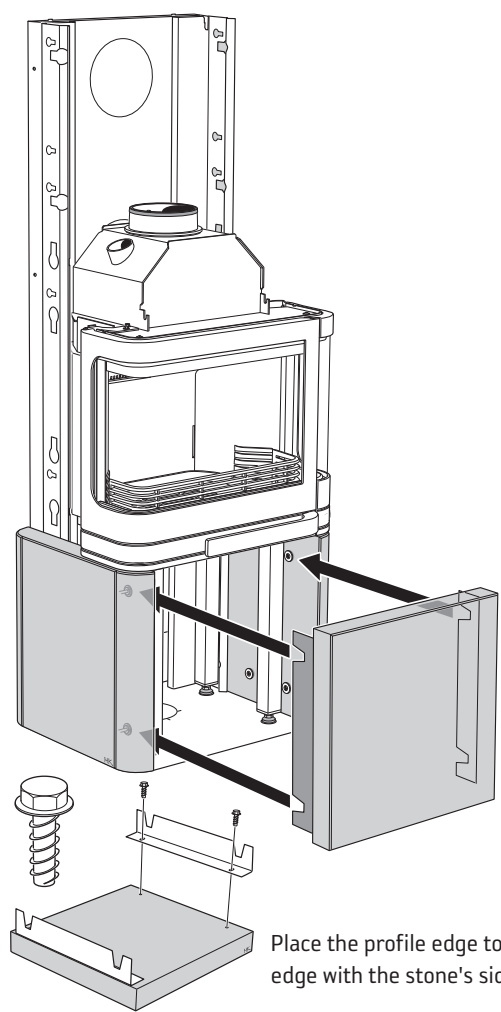
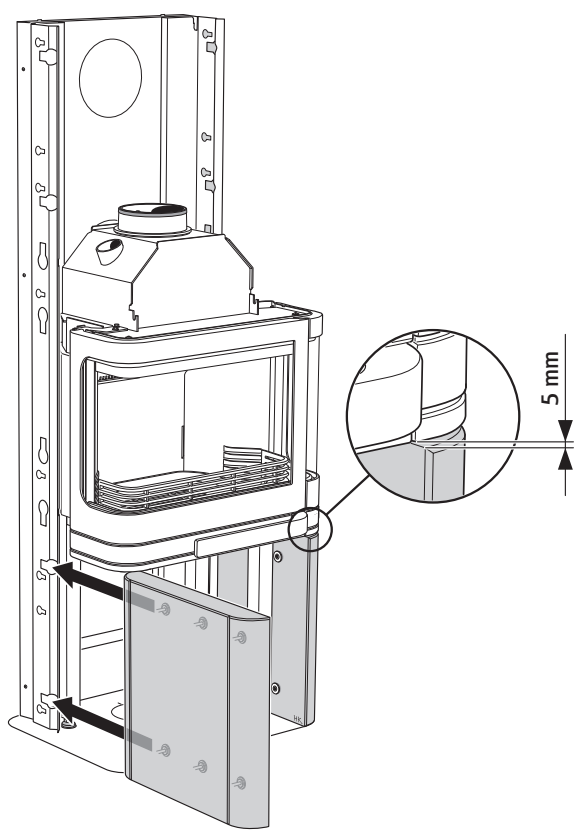
The stove needs to be placed on a level and horizontal surface, so the courses do not end up uneven and crooked. Otherwise, this can result in abnormally large gaps and uneven lines.

During assembly, check that all the stones stand horizontally and that all parts in a course are of a uniform height.

Remember to handle the stones with care. They scratch easily and the sharp edges are vulnerable to knocks. Also, take care when the screws are to be tightened, so as not to cause cracks.

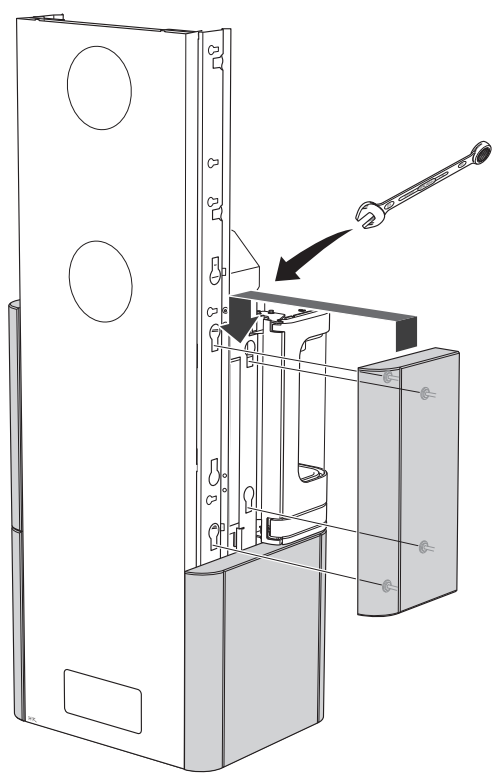
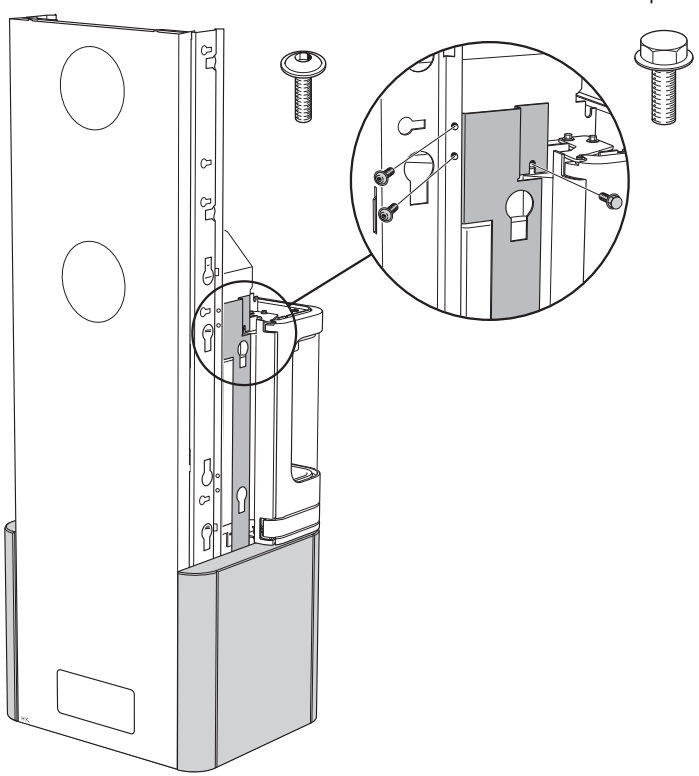


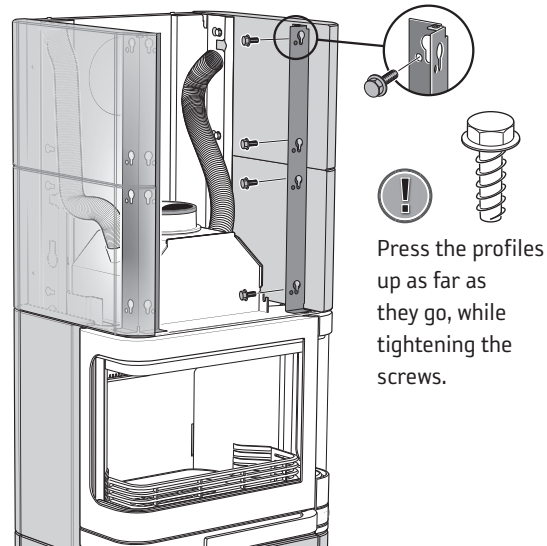
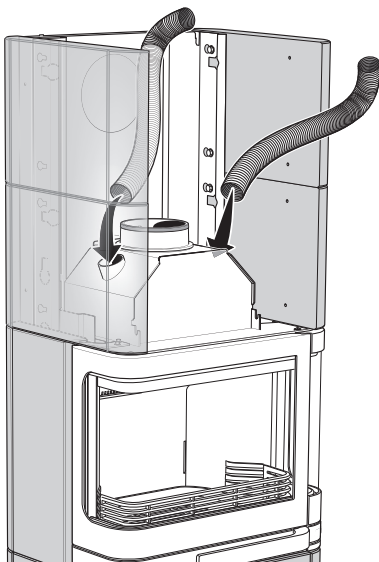
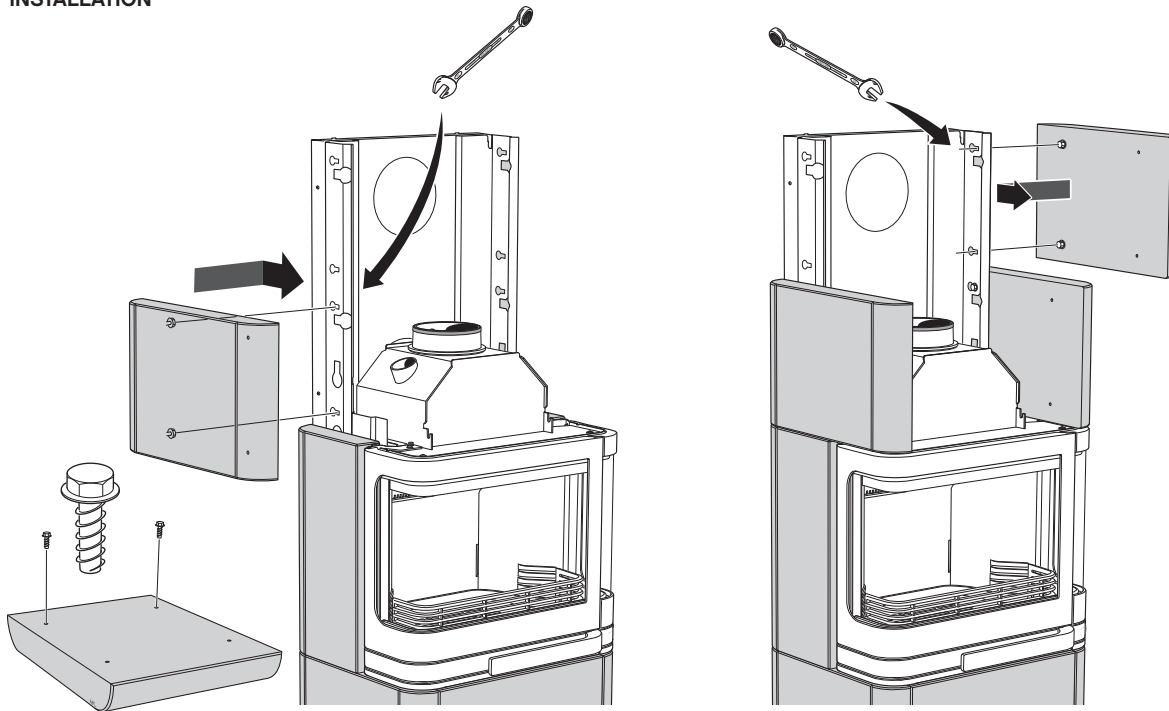




Place the profile edge to edge with the stone's side.

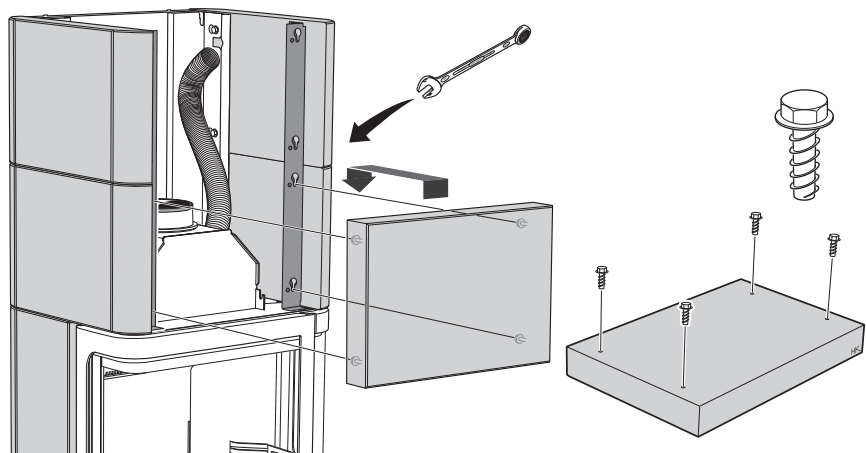
Wait to tighten this screw until the next stone is in place.





Not with the heat reservoir option

● For the heat reservoir option, go to page 76.



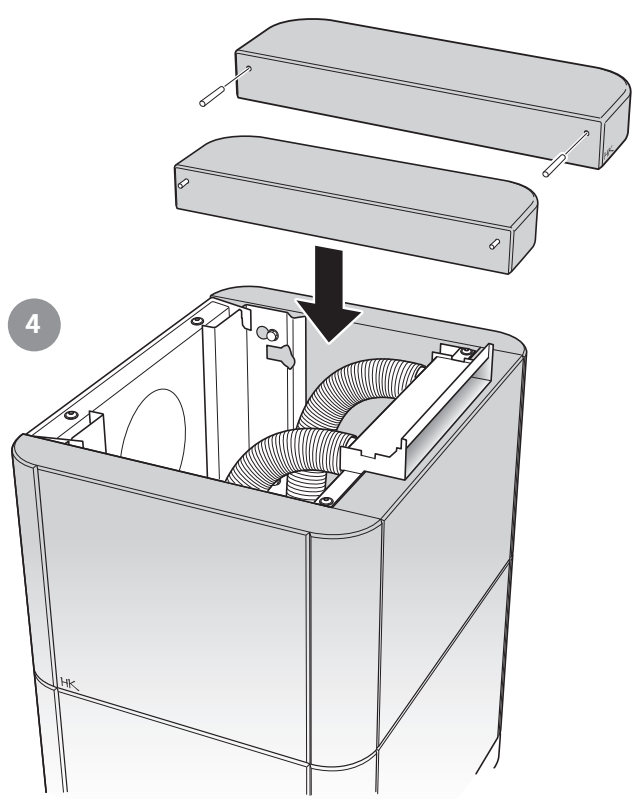
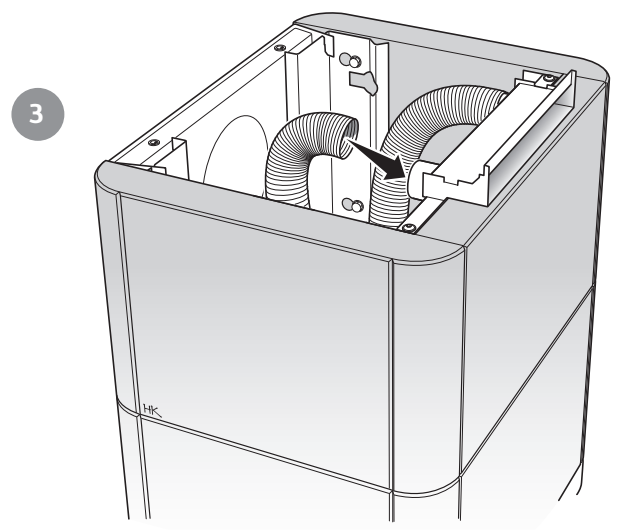
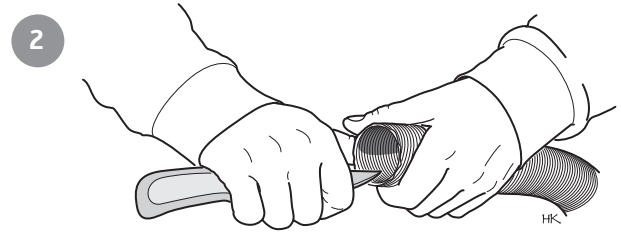
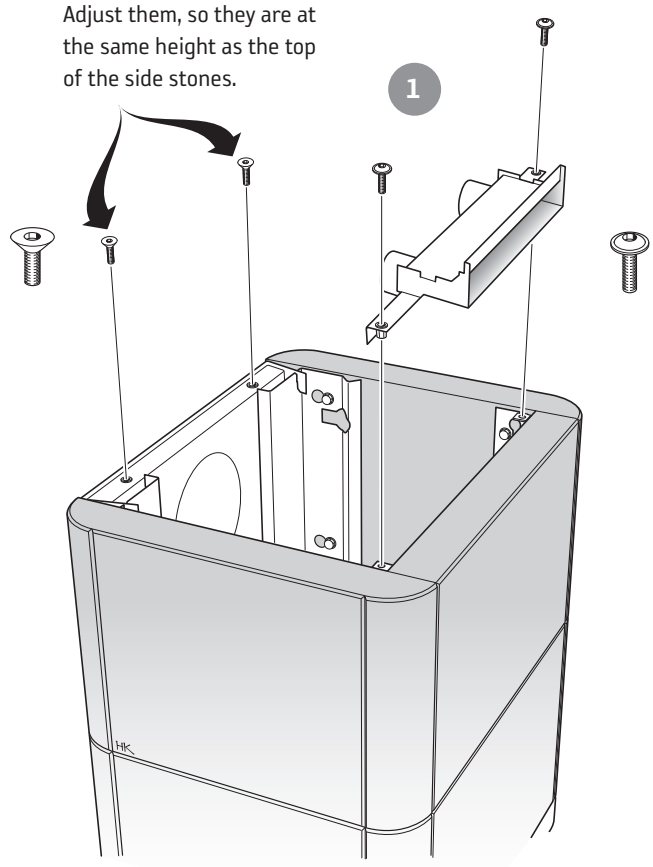
Final inspection of the installation


It is extremely important that the installation is inspected by an authorised chimney sweep before the stove is used. Also read the "Lighting instructions", before lighting for the first time.

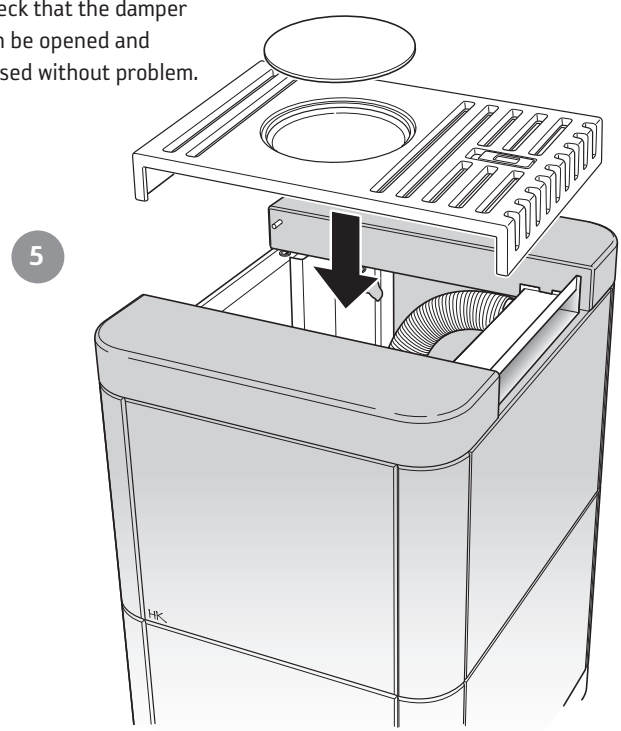


### Final installation

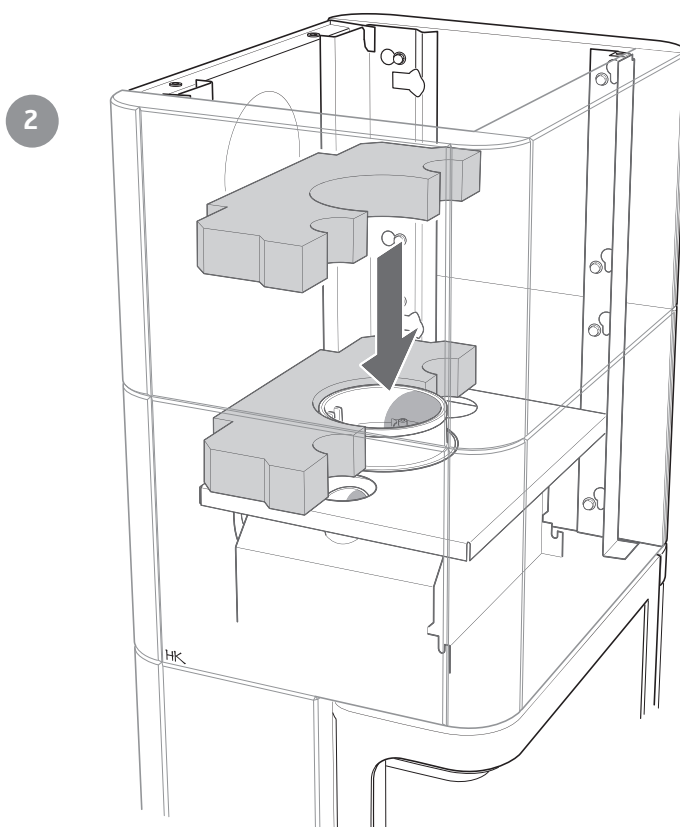
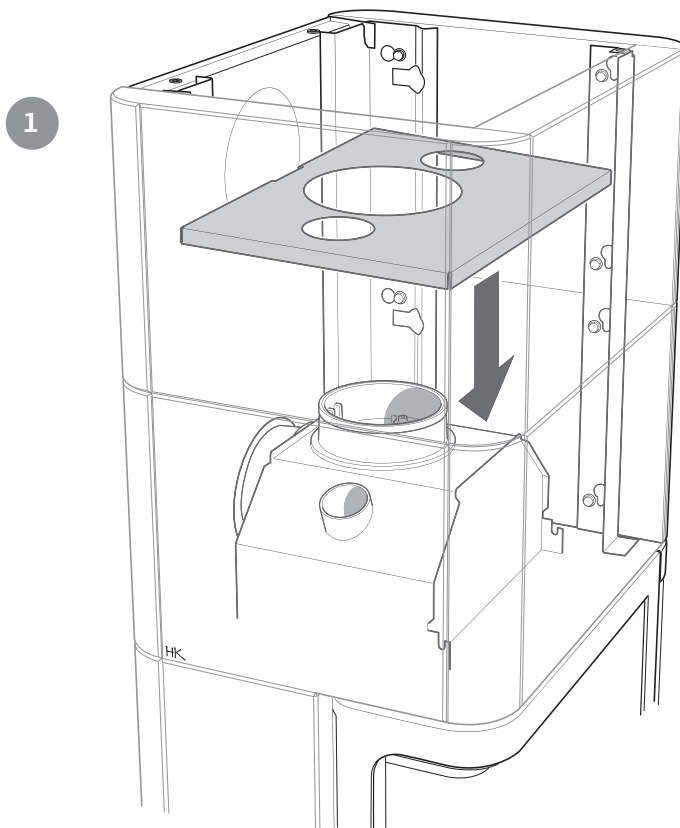
Adjustment screws for placement in the guide plate to support the top stones. Adjust them, so they are at the same height as the top of the side stones.

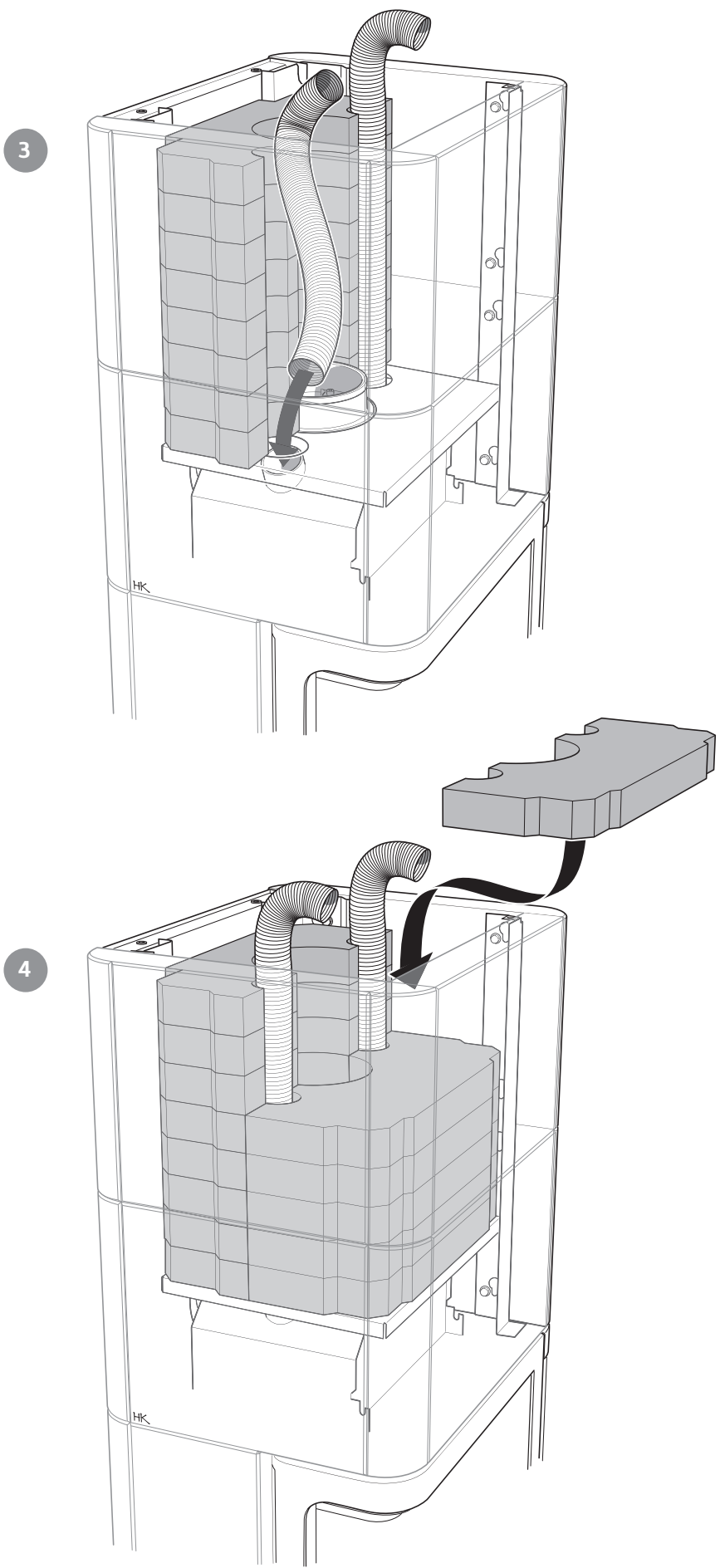


 Check that the damper can be opened and closed without problem.

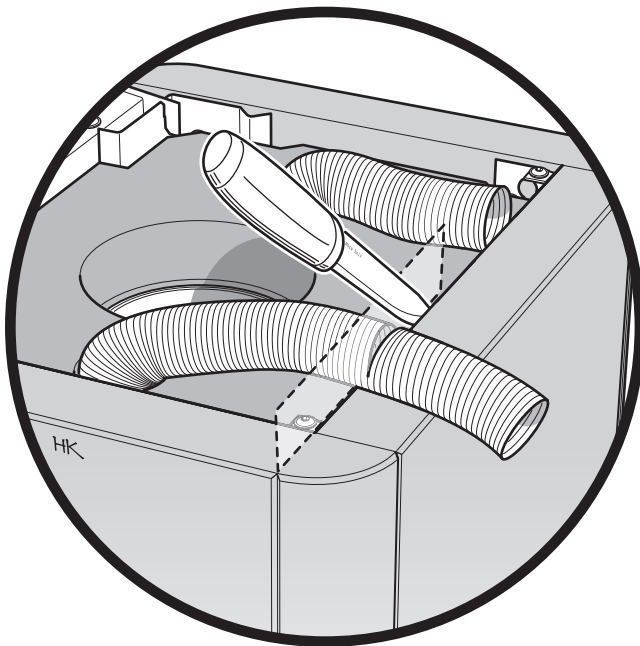


## Installation of heat reservoir (option)





5



● Go to page 75 for final installation



811090 IAV SE-EX C26T Hög -5  
2015-07-07

# *Contura*

NIBE AB · Box 134 · SE-285 23 Markaryd · Sweden  
[www.contura.eu](http://www.contura.eu)

Contura reserves the right to change dimensions and procedures described in these instructions at any time without special notice. The current edition can be downloaded from [www.contura.eu](http://www.contura.eu)