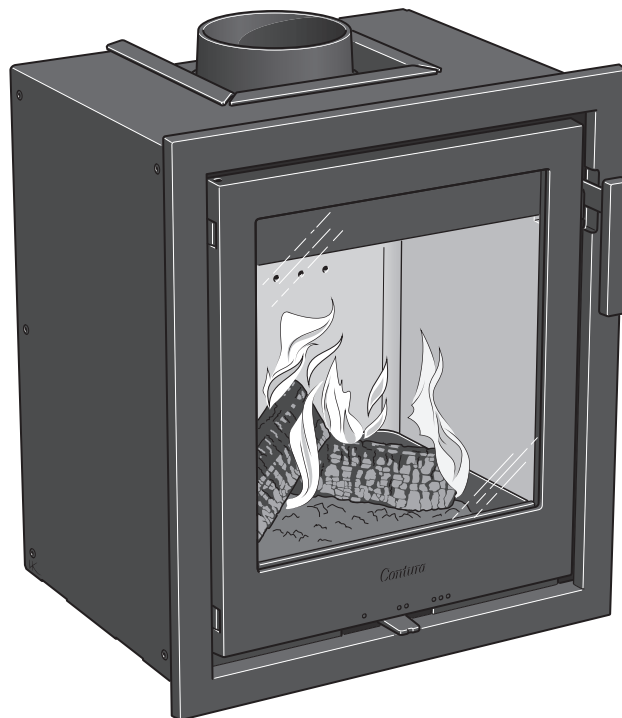


# Contura

i1

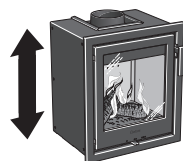


Facts	3
Declaration of performance	4
EU Declaration of Conformity	5
Dimensions diagram	6
Recess example	9
Assembly	11

## Facts



5 kW



540 / 550 mm



480 mm



350 mm



68 kg

Nominal output	5 kW
Efficiency	80,7%
Flue gas mass flow	4,3 g/s

Appliance is for intermittent burning only

### Meets requirements of:

European standard EN-13229  
Clean Air Act. (UK)



### The insert becomes very hot

During operation, certain surfaces of the insert become very hot and can cause burn injury if touched. Be aware of the strong heat radiated through the hatch glass. Placing flammable material closer than the safe distance indicated may cause a fire. Pyre lighting can cause quick gas ignition with the risk of damage to property and personal injury.

## Installation by authorised technician

This manual contains instructions about how the insert must be assembled and installed. To ensure the function and safety of the insert, the installation should be carried out by a Hetas trained engineer. Contact one of our dealers who can recommend suitable installer. When completed, the installer should inform the local Council/authority about the new installation.

## Building application

These main instructions may give guidance which would contravene national building regulations. All local regulations, including those referring to national and European standards, need to be complied with when installing the appliance. Please refer to supplementary instructions or ask your local authority for advice regarding building regulations. Before installing a stove or erecting a chimney it is necessary for you to make a building application permission to your local authority. The owner of the house is personally responsible for ensuring compliance with the mandatory safety requirements and must have the installation approved by a qualified inspector. Regular maintenance by a competent engineer is needed. It is not allowed to unauthorised modification of the appliance. Your local chimney sweep must also be

informed about the installation as this will affect the routines for regular chimney-sweeping services.

## Structural support

Check that the wood joists are strong enough to bear the weight of the stove and chimney. The stove and chimney can usually be placed on a normal wooden joist in a single occupancy house if the total weight does not exceed 400 kg.

## Hearth plate

Due to the risk of falling embers, a flammable floor must be protected by a hearth plate. It must extend 300 mm in front of the stove and 100 mm on each side of the stove, or have a 200 mm extension on each side of the opening. The hearth plate can consist of natural stone, concrete, metal plate or glass. A glass hearth plate is available as an accessory for these models.

## Final inspection of the installation

It is extremely important that the installation is inspected by an authorised chimney sweep before the stove is used. Also read the "Lighting instructions", before lighting for the first time.

## Connection to chimney

- The insert must be connected to a chimney designed to withstand flue gas temperatures of up to 400°C.
- The stove should not be installed in a chimney serving more than one appliance.
- The diameter of the connection sleeve is designed to fit chimney pipes with an external diameter of Ø125 mm (max. external diameter is Ø128 mm). A connection sleeve is available, as an optional extra, for chimney pipes with an internal diameter of Ø150 mm.
- Normal chimney draw under nominal operation should be between 20-25 Pa close to the connector. The draft is affected both by the length and area of the chimney, and by how well sealed it is. The recommended minimum flue length is 3.5 m and its diameter should be Ø125 to Ø150 mm.
- A flue with sharp bends and horizontal routing reduces the draught in the chimney. Maximum horizontal flue is 1 m, on the condition that the vertical flue length is at least 5 m.
- It must be possible to sweep the full length of the flue and the soot hatches must be easily accessible.
- Carefully check that the chimney is sealed and that there is no leakage around soot hatches and flue connections.

## Supply of combustion air

When an insert is installed, the need for an adequate supply of air to the room increases. Air can be provided indirectly via a vent in the outer wall or via a duct from the outside that connects to the sleeve on the underside of the insert. The required volume of combustion air is about 20 m<sup>3</sup>/hour.

The connector (accessory) for the combustion air has an external diameter of 80 mm. When duct routing further than 1 m the pipe diameter must be increased to 100 mm and a correspondingly larger wall vent must be selected.

In hot areas, the duct should be insulated with 30 mm mineral wool with a moisture inhibiting outer cover. It is also important to seal around the hole in the wall (or floor) of the lead-in using sealant.

A 1 m length of condensation insulated ducting for combustion air is available as an accessory.

## Declaration of performance according to Regulation (EU) 305/2011

No. Ci1-UKCA-240108

# Contura

### PRODUCT

Type Wood burning insert  
Trade name Contura i1  
Intended area of use Heating of rooms in residential buildings  
Fuel Wood

### MANUFACTURER

Name Contura AB  
Address Box 134, Skulptörvägen 10  
SE-285 23 Markaryd, Sweden

### VERIFICATION

According to AVCP System 3  
European standard EN 13229:2001 / A2:2004 / AC:2007  
Test institute KIWA UK, NB 0692

### DECLARED PERFORMANCE

ESSENTIAL CHARACTERISTICS	PERFORMANCE	HARMONISED TECHNICAL SPECIFICATION
Fire safety	Pass	EN 13229:2001 / A2:2004 / AC:2007
Fire classification	A1	
Minimum distance to flammable materials	Rear: 100 mm (with heat shield) Side: 400 mm Ceiling: 1100 mm Front: 1200 mm Floor: 275 mm	
Fire hazard due to burning fuel falling out	Pass	
Cleanability	Pass	
Emissions from combustion	CO: 1500 mg/ m <sup>3</sup> NOx: 200 mg/ m <sup>3</sup> OGC: 120 mg/ m <sup>3</sup> PM: 40 mg/ m <sup>3</sup>	
Surface temperatures	Pass	
Temperature on the handle	Pass	
Mechanical resistance	Pass	
Temperature in the space for wood storage	NPD	
Nominal output	5,0 kW	
Efficiency	80,7%	
Flue gas temperature at nominal output	260°C	
Flue gas temperature in flue spigot	312°C	

The undersigned is responsible for the manufacture and conformity with the declared performance.



**Niklas Gunnarsson**, Business area manager NIBE STOVES  
Markaryd, January 8, 2024



## EU Declaration of Conformity

Manufacturer	Contura AB
Address	Box 134, Skulptörvägen 10 285 23 Markaryd, Sweden
E-Mail	info@contura.se
Website	www.contura.eu
Telephone	+46 433 275100

# Contura

<b>THIS DECLARATION OF CONFORMITY IS ISSUED UNDER OUR SOLE RESPONSIBILITY FOR THE FOLLOWING PRODUCT:</b>							
Trade name				Contura i1			
Identification of product				www.contura.eu			
<b>THE OBJECT OF THE DECLARATION DESCRIBED ABOVE IS IN CONFORMITY WITH -</b>							
<b>THE RELEVANT UNION HARMONIZATION LEGISLATION:</b>				<b>THE RELEVANT HARMONIZED STANDARDS:</b>			
DIR 2009/125/EC				EN 13229:2001/A2:2004/AC:2007			
REG (EU) 2015/1185				CEN/TS 15883:2010			
REG (EU) 2015/1186							
REG (EU) 2017/1369							
REG (EU) 305/2011							
<b>TECHNICAL DOCUMENTATION</b>							
Energy efficiency class:				A+			
Direct heat output:				5,0 kW			
Indirect heating functionality:				No			
Energy Efficiency Index (EEI):				107,0			
Test report				KIWA UK, NB 0692			
FUEL	PREFERRED FUEL	OTHER SUITABLE FUEL	$\eta_s$ (%)	EMISSIONS AT NOMINAL HEAT OUTPUT			
				PM	OGC	CO	NO <sub>x</sub>
mg/ Nm <sup>3</sup> (13% O <sub>2</sub> )							
Wood logs with moisture content < 25%	Yes	No	70,7	40	120	1500	200
Compressed wood with moisture content <12%	No	Yes	70,7	40	120	1500	200
Other woody biomass	No	No					
Non-wood biomass	No	No					
Anthracite and dry steam coal	No	No					
Hard coke	No	No					
Low temperature coke	No	No					
Bituminous coal	No	No					
Lignite briquettes	No	No					
Peat briquettes	No	No					
Blended fossil fuel briquettes	No	No					
Other fossil fuel	No	No					
Blended biomass and fossil fuel briquettes	No	No					
Other blend of biomass and solid fuel	No	No					
<b>CHARACTERISTICS WHEN OPERATING WITH THE PREFERRED FUEL</b>							
ITEM	SYMBOL	VALUE	UNIT	ITEM	SYMBOL	VALUE	UNIT
<b>HEAT OUTPUT</b>				<b>USEFUL EFFICIENCY, BASED ON NET CALORIFIC VALUE (NCV )</b>			
Nominal heat output:	P <sub>nom</sub>	5,0	kW	Useful efficiency at nominal heat output	$\eta_{th, nom}$	80,7	%
<b>AUXILIARY ELECTRICITY CONSUMPTION</b>				<b>TYPE OF HEAT OUTPUT/ROOM TEMPERATURE CONTROL</b>			
At nominal heat output	e <sub>l, max</sub>	-	kW	Single stage heat output, no room temperature control			Yes
At minimum heat output	e <sub>l, min</sub>	-	kW	Two or more manual stages, no room temperature control			No
In standby mode	e <sub>l, sb</sub>	-	kW	With mechanic thermostat room temperature control			No
				With electronic room temperature control			No
				With electronic room temperature control plus day timer			No
				With electronic room temperature control plus week timer			No
				<b>OTHER CONTROL OPTIONS</b>			
				Room temperature control, with presence detection			No
				Room temperature control, with open window detection			No
				With distance control option			
Specific precautions for assembly, installation, or maintenance.		Fire protection and safety distances to combustible building materials must be observed under all circumstances. A sufficient supply of combustion air must always be guaranteed. Air suction systems can interfere with the combustion air supply.					

The undersigned is responsible for the manufacture and conformity with the declared performance.



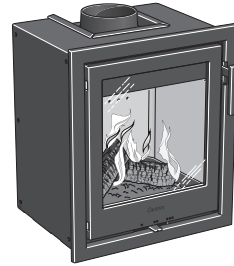
**Niklas Gunnarsson**, Business area manager NIBE STOVES  
Markaryd, January 8, 2024

## Dimensions diagram

Ci1

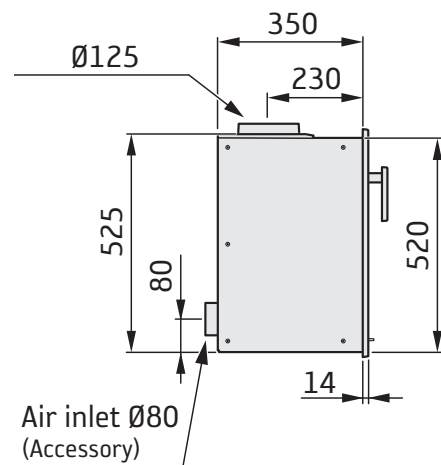
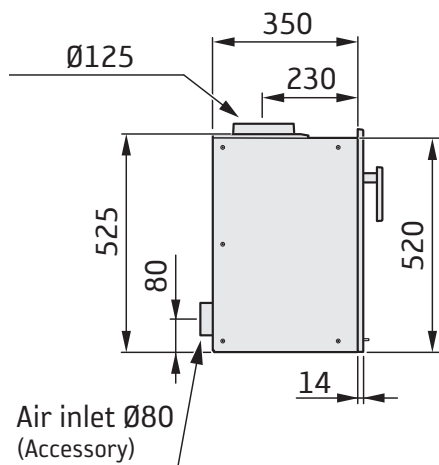
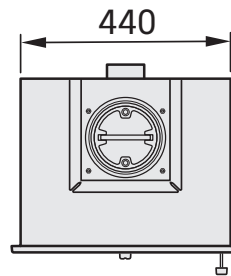
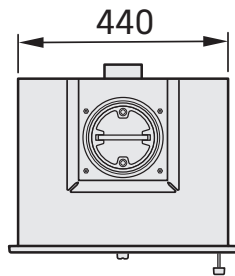
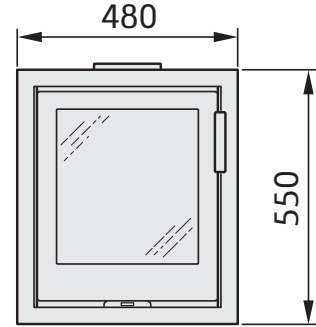
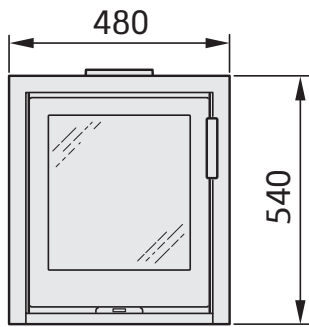
Furnishings and combustible building elements must be at least 1,2 metre from the front of the insert door.

When connecting to a steel chimney, the requirements for safe distance to the chimney must also be observed. A clearance of at least 500 mm must be allowed as a safe distance between an uninsulated flue pipe and combustible building elements.



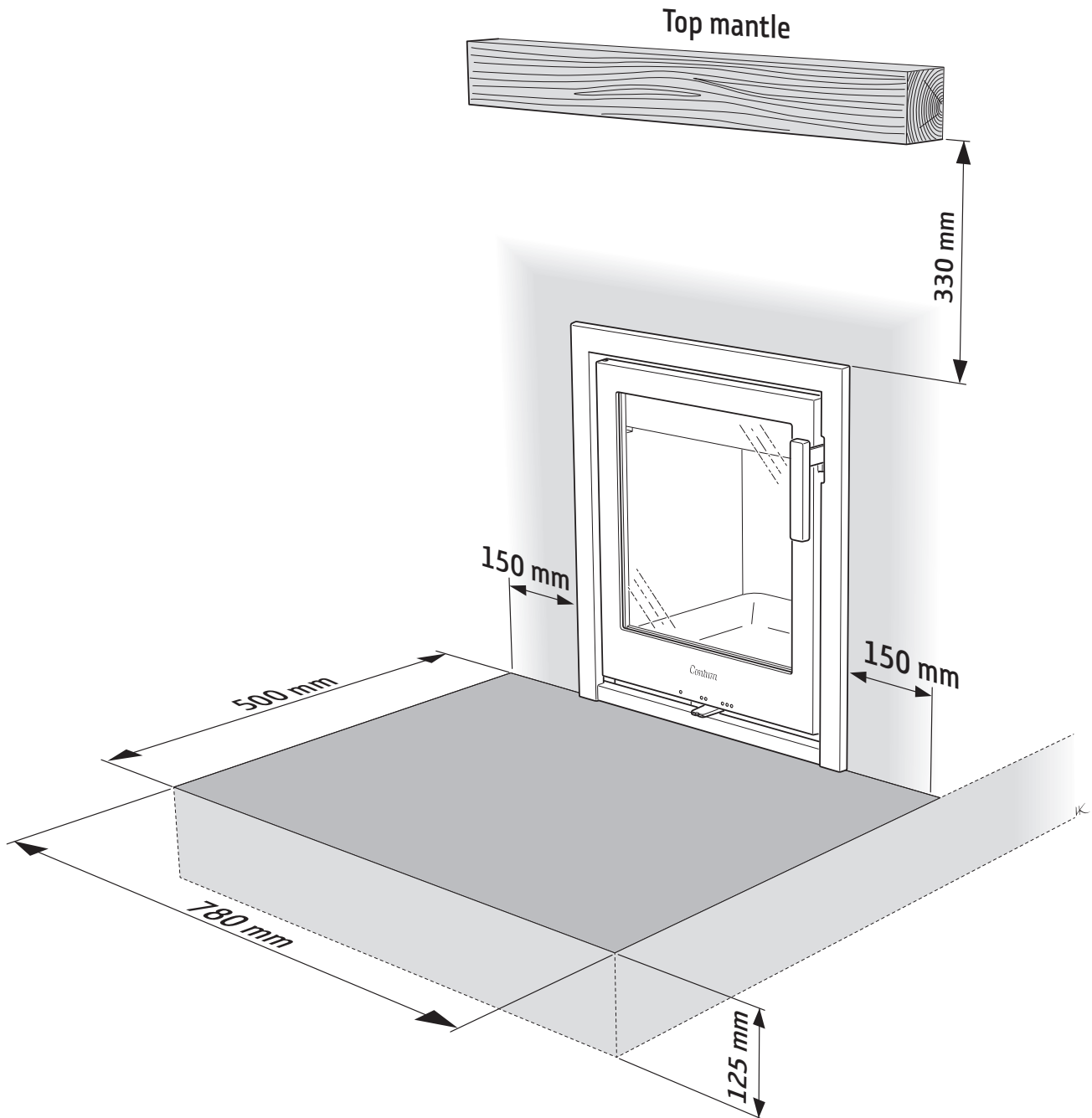
3-sided frame

4-sided frame



## When installed on a Constructional hearth

When the appliance is installed in a open fireplace or in a fireplace recess, it must stand on a constructional hearth which meet the building regulations and has minimum dimension as shown in the diagram. Always check that the building has enough bearing capacity for the heart, stove and chimney. The stove can be loaded with maximum 100 kg of chimney.



## Recessing the insert

When recessing the insert, adjacent walls that are not classed as fire walls or are considered unsuitable for exposure to heat must be protected by non-combustible building material in accordance with the specifications below.

All joints on the non-combustible material must be sealed using the method recommended by the manufacturer. The space between the insert and the recess must be ventilated in accordance with specifications/dimensions diagrams.

Please refer to the manufacturer's installation instructions when connecting a steel chimney to a top outlet. Observe the requirements for the safe distance from the steel chimney to combustible materials. Because of the strong heat radiating from the door, combustible materials must be placed a minimum of 1,2 m from the door.

The insert must be installed with clearance to the building material, not in direct contact with it, to allow for thermal expansion of the insert.

## Material requirements

The building material must not be combustible.

The thermal conductivity coefficient  $\lambda$  must be maximum 0.14 W/mK.

The building material must always be at least 40 mm thick.

Where the insulation properties of building material are given as a U-value, it must be maximum 1.4 W/ m<sup>2</sup>K.

### List of suitable materials:

**Aerated concrete:**  $\lambda = 0.12-0.14$

**Vermiculite:**  $\lambda = 0.12-0.14$

**Calcium silicate:**  $\lambda = 0.09$

## Sealing

The recess must not go all the way up to the ceiling, leave an air gap of at least 20 mm closest to the ceiling. The recess must be sealed off above the convection exhaust. The seal must be 100 mm above the convection exhaust's upper edge and must be made of 40 mm non-flammable material according to the material requirements above. Use heat-resistant silicone, for example, between the seal and chimney.

## Convection air

The convection air ventilates the surround, cools the insert and carries hot air out into the room. The total sum of the effective cross-section area up and down must not be less than the stated values. The air intake must be positioned somewhere between floor level and the bottom of the insert, at the front or on the sides of the recess. The air exhaust must be positioned above the highest point of the insert at the front or the sides of the recess. If the air intakes or exhausts are positioned on the sides, the areas for the left and right side respectively must be the same size to ensure that the insert is evenly cooled.

Check the minimum distance to the ceiling.

**Convection air in: 400 cm<sup>2</sup> or two 200cm<sup>2</sup>, one on each side**

**Convection air out: 400 cm<sup>2</sup> or two 200cm<sup>2</sup>, one on each side**

## Floor and load-bearing base

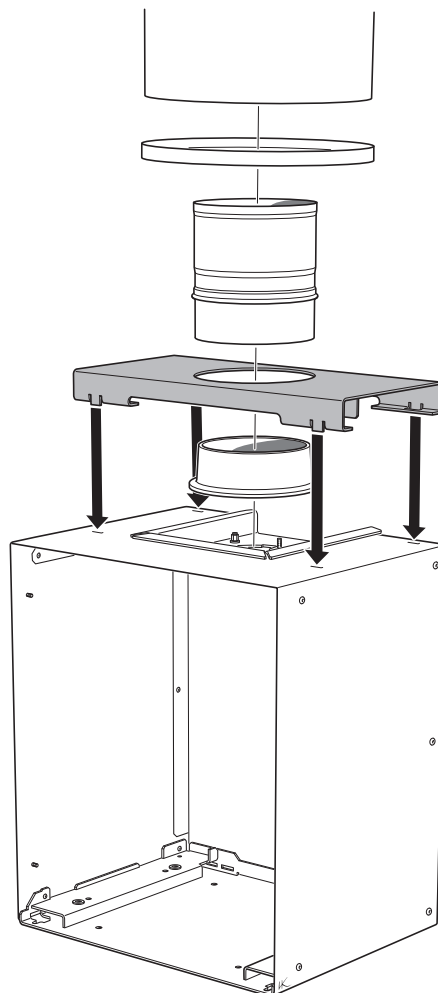
Combustible flooring beneath the insert must be protected. The examples show the floor protected by a 40 mm calcium silicate board.

Ensure that the convection box is placed on a base strong enough to bear the weight of the stove and chimney.

The base must not block the flow of convection air in the space between the insert and recess.

## Steel chimney on the insert

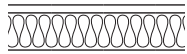
If the insert is to be connected to a module-based steel chimney, it must be connected via a chimney support panel (accessory). The weight of the steel chimney on the insert with the chimney support panel must be maximum 100 kg.



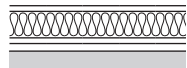


# Recess example

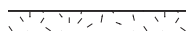
Ci1



Wall made of combustible material




Aerated wall, comprising at least a 40 mm calcium silicate board and an air space. There must be a 20 mm air space between the building board and the combustible wall. The air space must allow air to flow freely along the lower and upper edges (see diagram to the right).

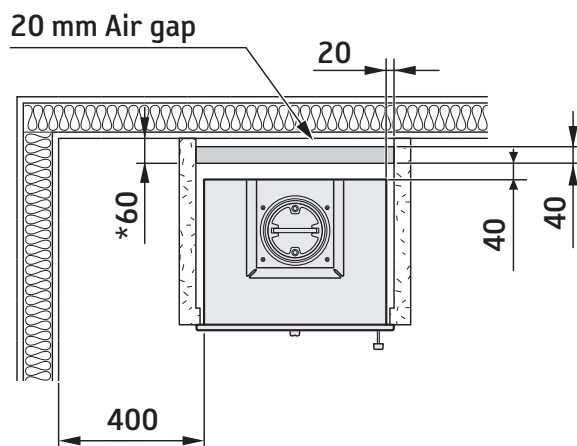
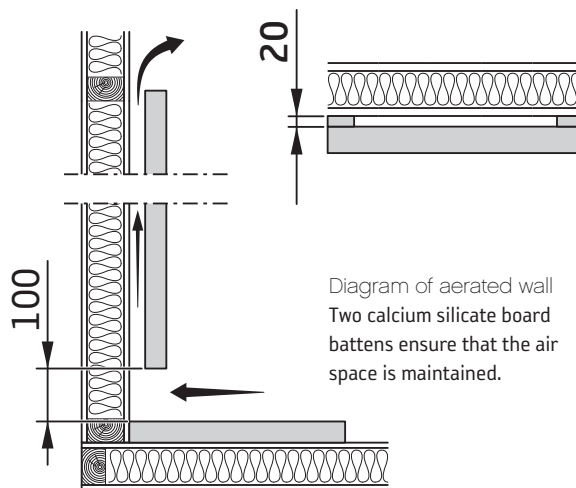


Wall made of non-combustible material that is not in contact with combustible material and therefore has no minimum thickness requirement.




Firewall, approved and fully complies with safety requirements according to the authorised inspection body. Examples of approved firewalls are 120 mm solid brick and 100 mm aerated concrete.

 The dimensions are the minimum dimensions, unless otherwise stated.



### Final inspection of the installation

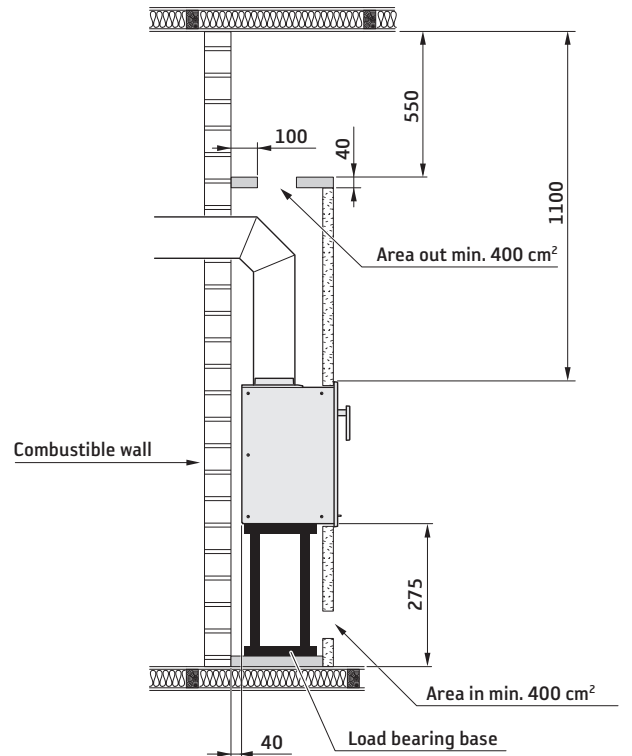
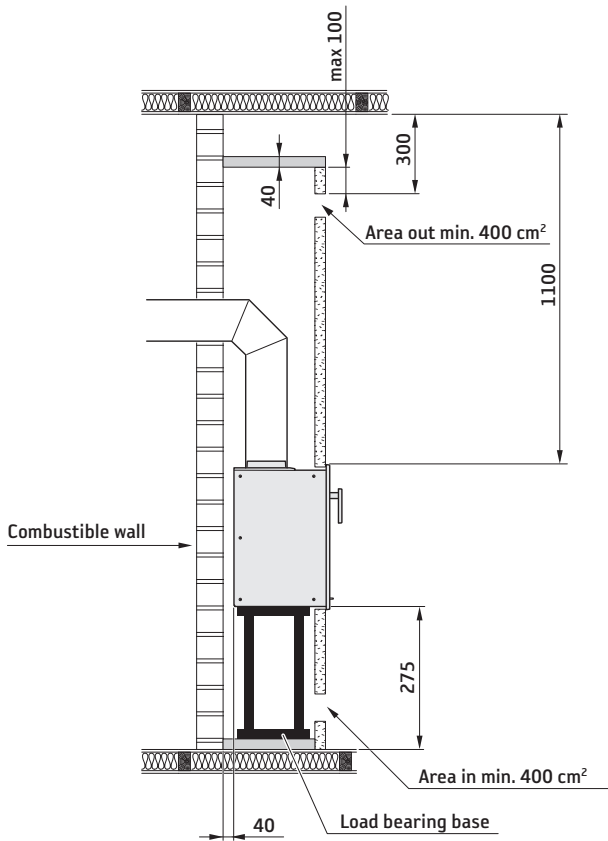
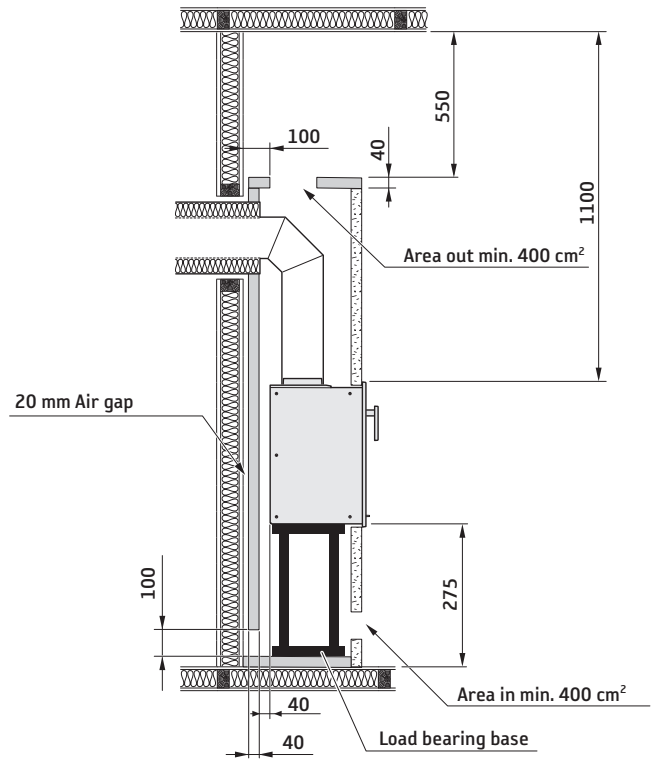
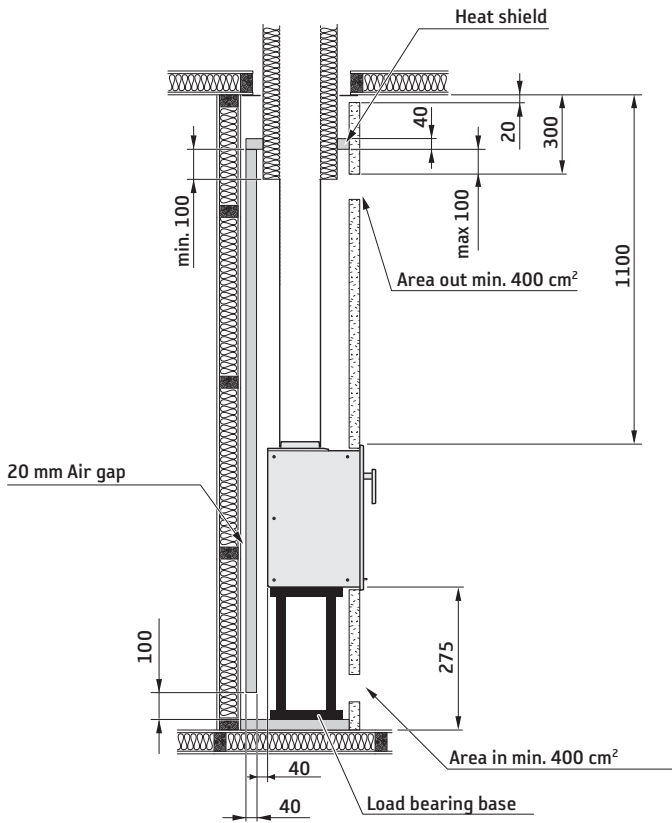
It is extremely important that the installation is inspected by an authorised inspection body before the insert is used. You should also read the "Lighting instructions" before lighting the stove for the first time.



\* The distance between the exhausts on the sides and a combustible wall behind should be at least 60 mm.

Recess example

Ci1



Always observe the safety distances to combustible material required by a steel flue.



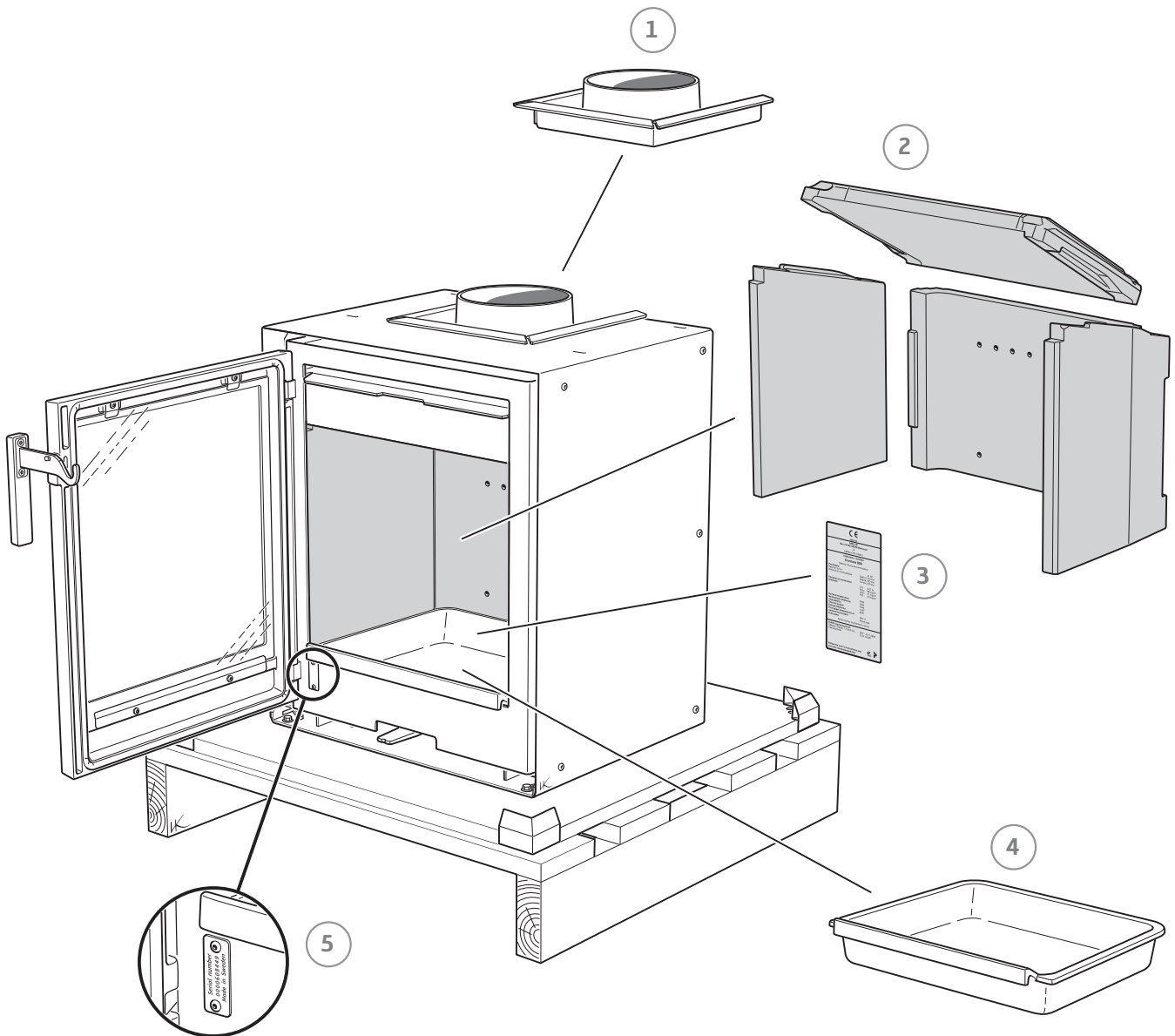
The dimensions are the minimum dimensions, unless otherwise stated.



## Prior to installation

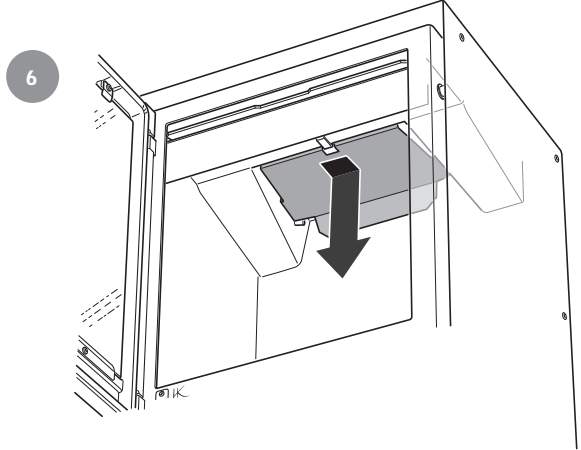
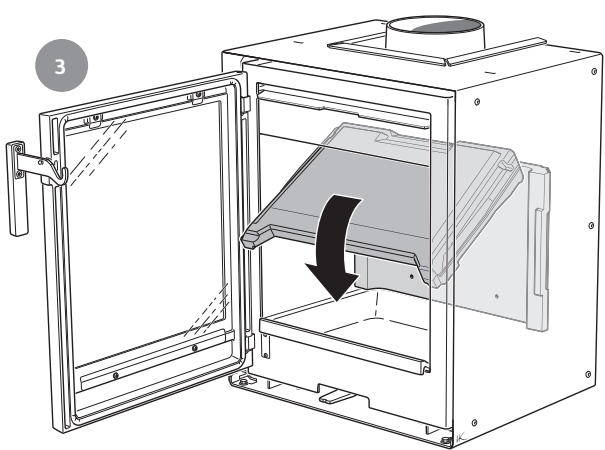
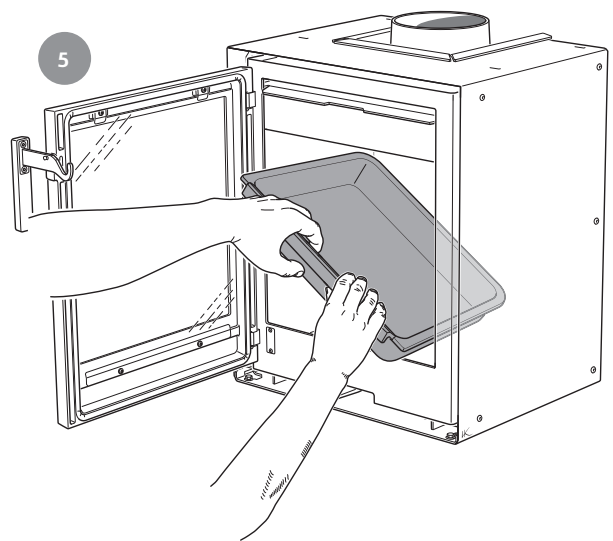
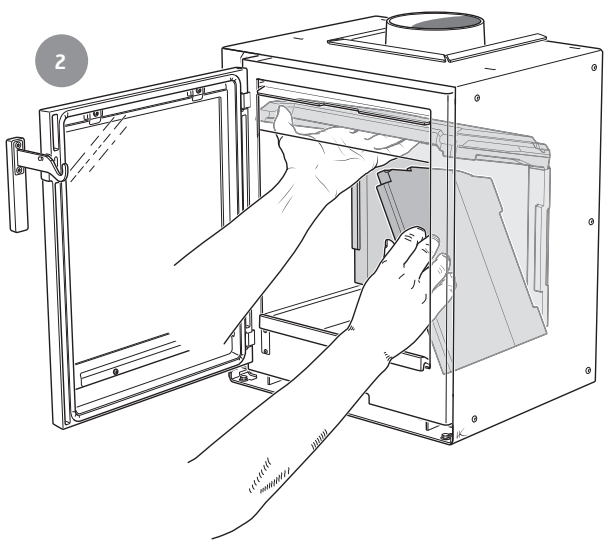
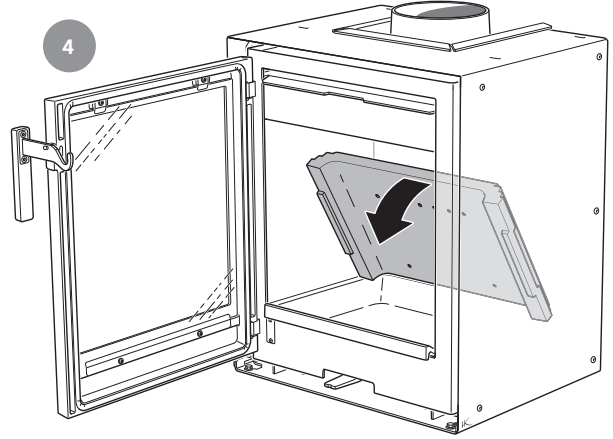
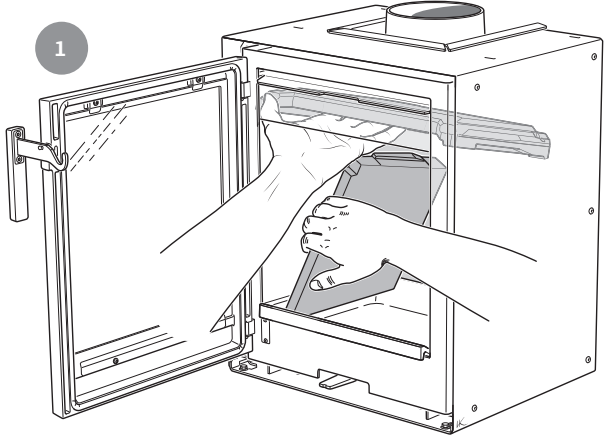
If the insert needs to be put down to be moved, loose components should be removed. Removal of the hearth cladding is described on the next page.

- 1 Connector sleeve support
- 2 Fire bricks (Vermiculite)
- 3 Type plate
- 4 Hearth base
- 5 Serial number





  
**Handle with care!**



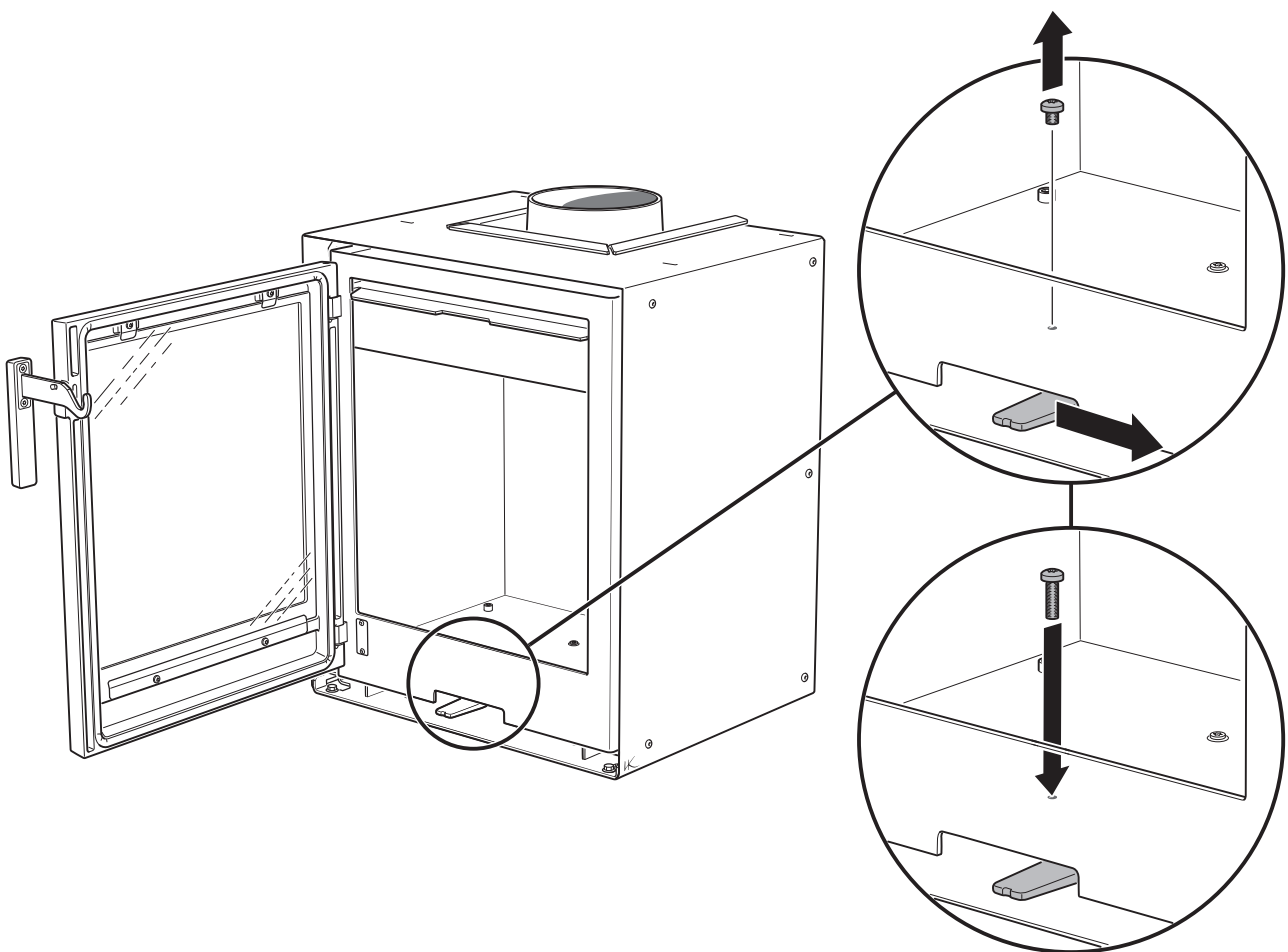


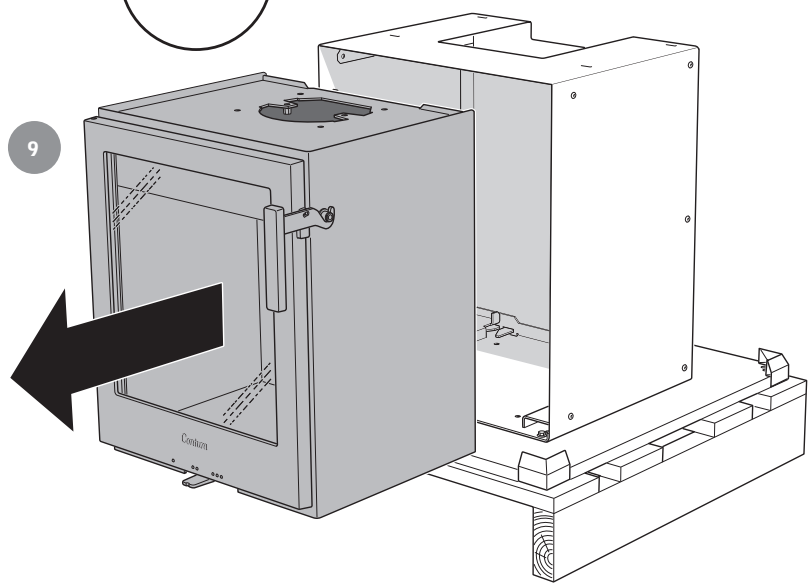
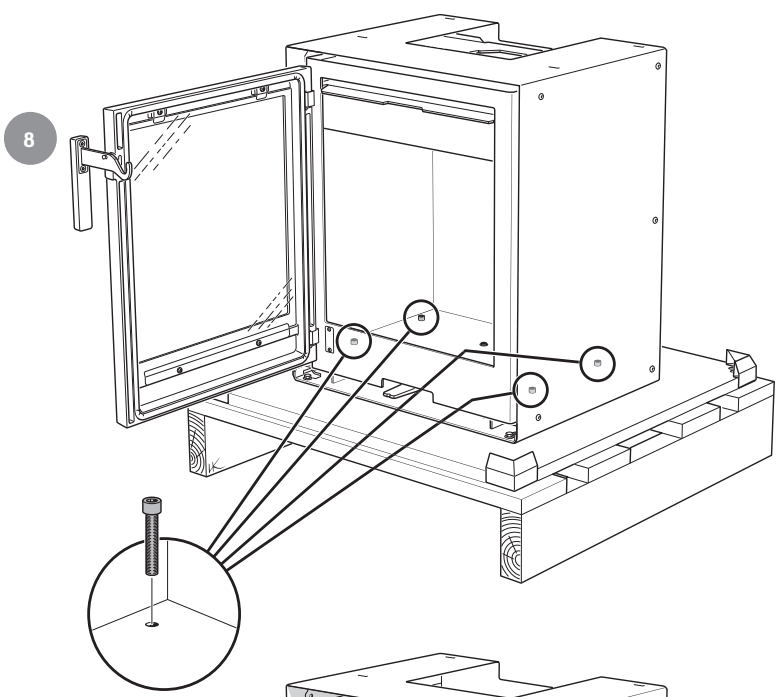
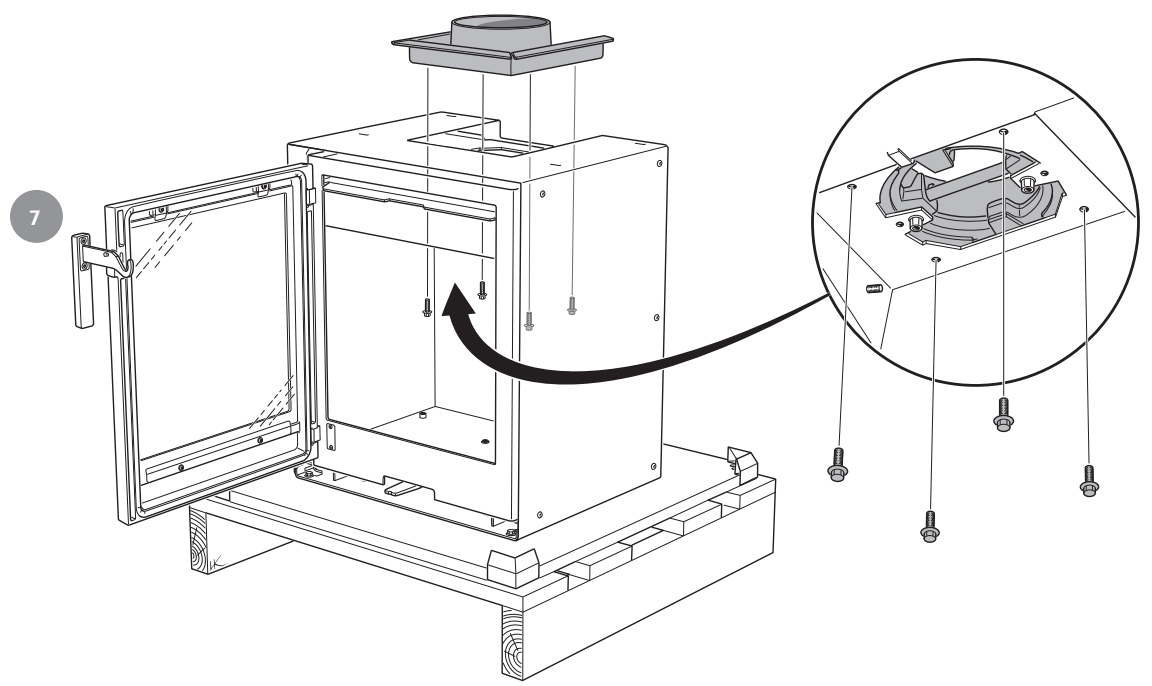
### Mandatory for smoke control areas

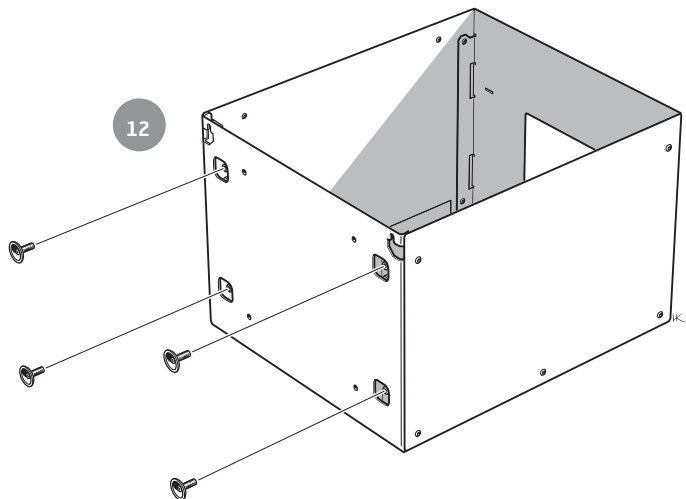
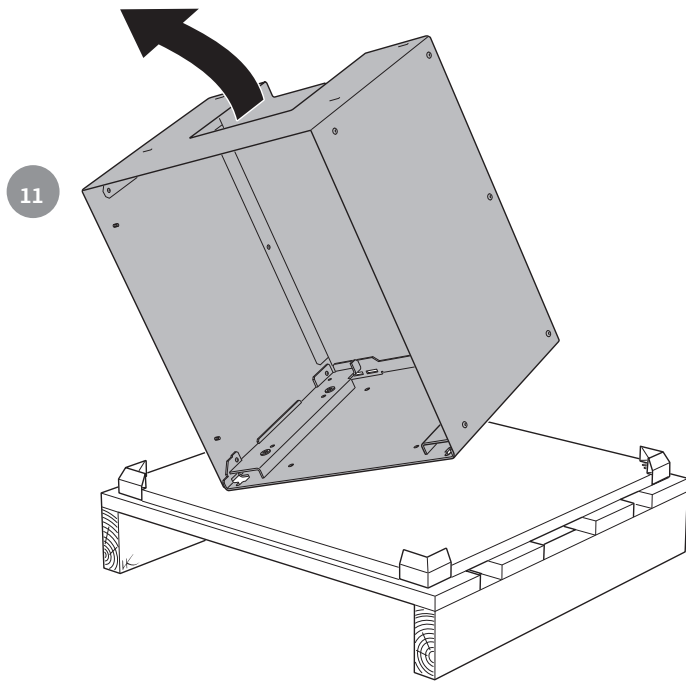
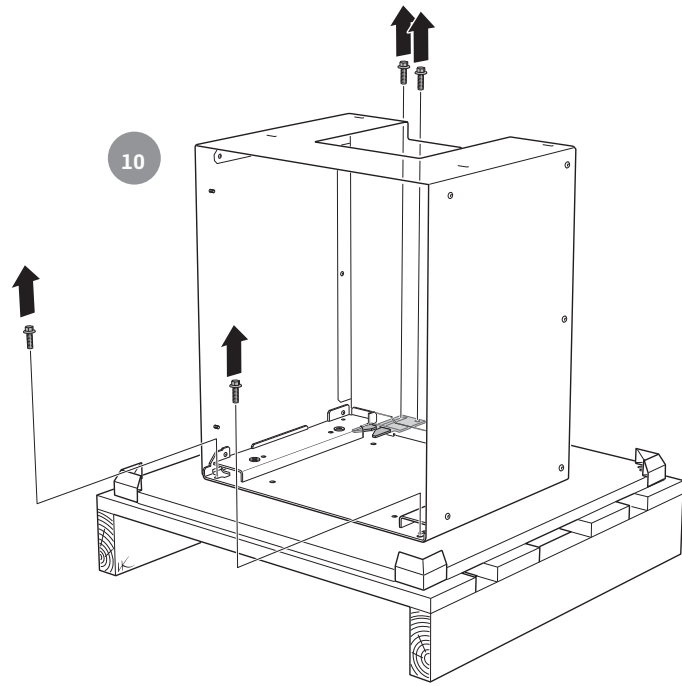
Contura i1, 5 kW woodburning stoves has been recommended as suitable for use in smoke control areas. This when burning wood logs and operated in accordance with these instructions and when fitted with a permanent stop to prevent closure of the air control unit beyond 40% open position.

The permanent stop must be installed if the appliance is to be used in a smoke control area, this stop must not be removed in smoke control areas, otherwise an offence will be committed if the appliance is used without the permanent stop in place.

Note: When refueling - open the air control fully for 3-5 minutes before closing down to the minimum air setting.



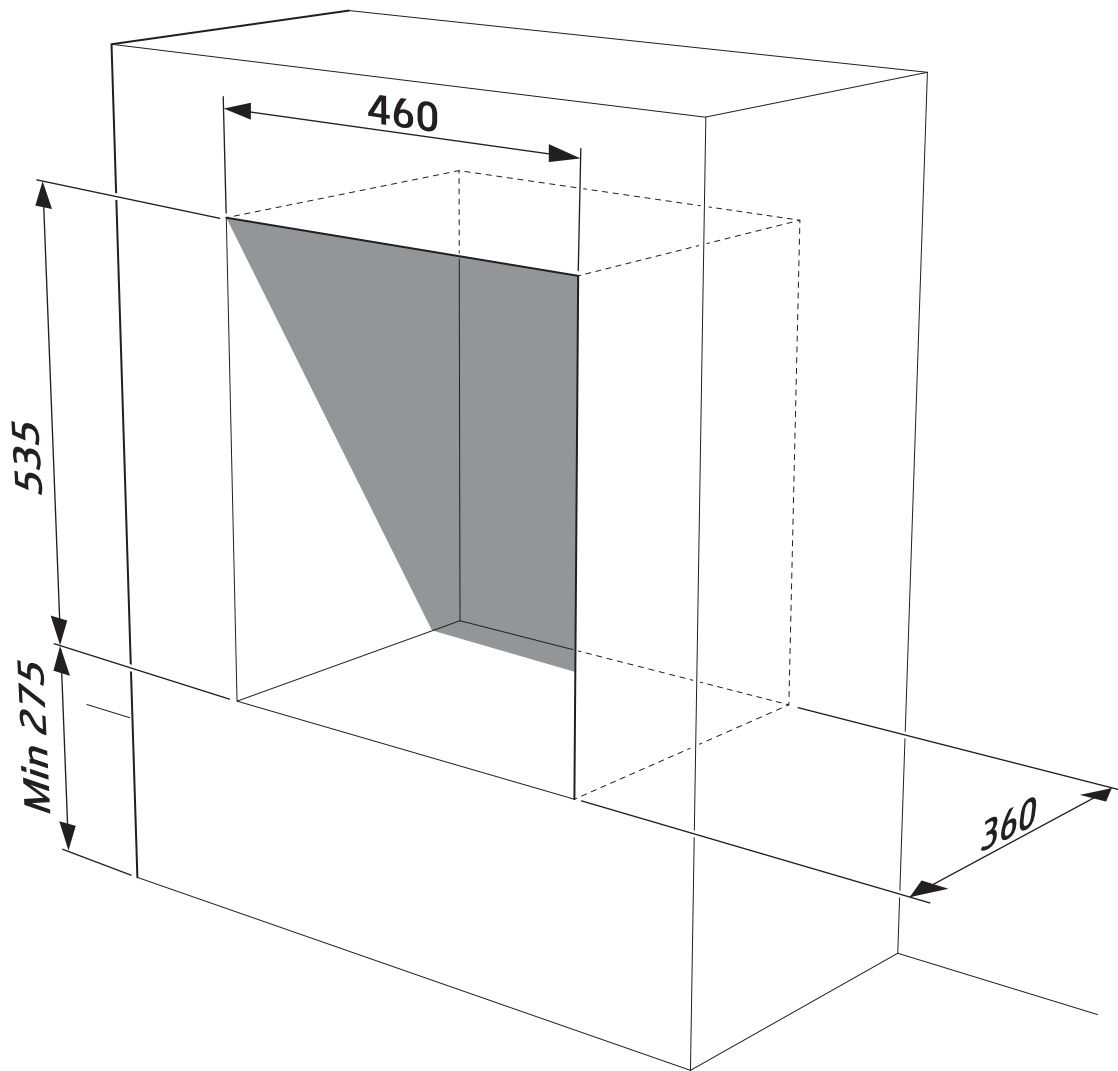






### Installation in existing open hearth

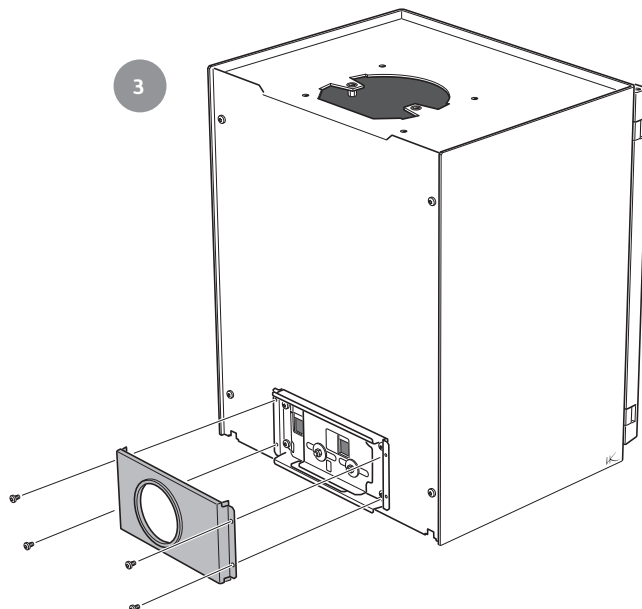
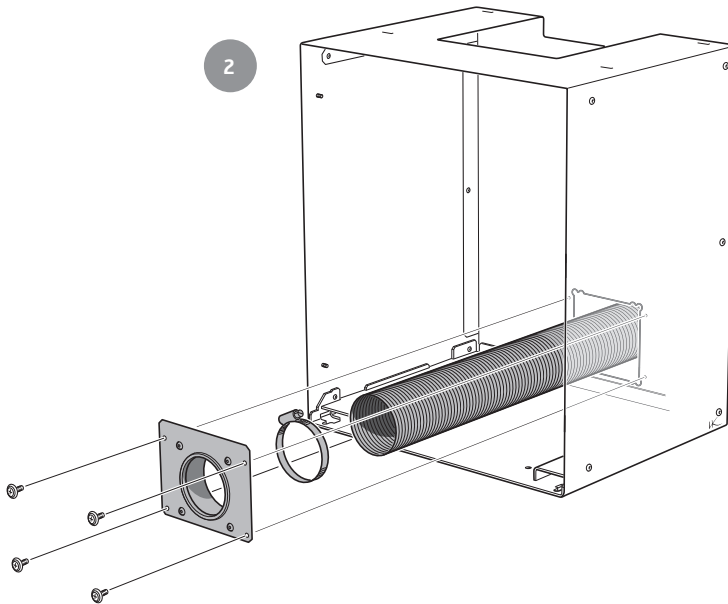
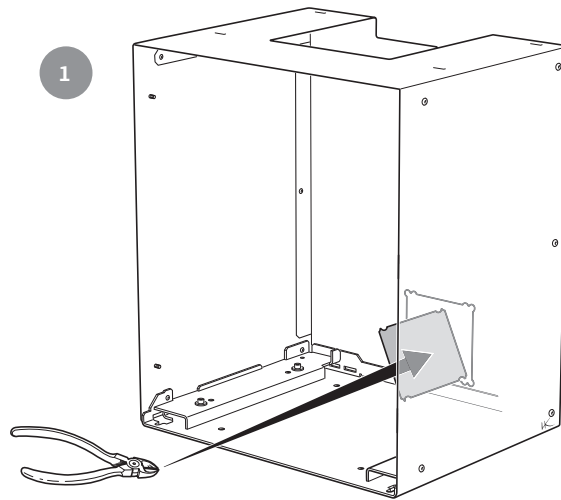
The insert is designed to be installed as a stove cassette in existing approved open hearths. There must be an 10 mm air gap around the insert, to allow for the expansion of the insert when hot.







Accessory

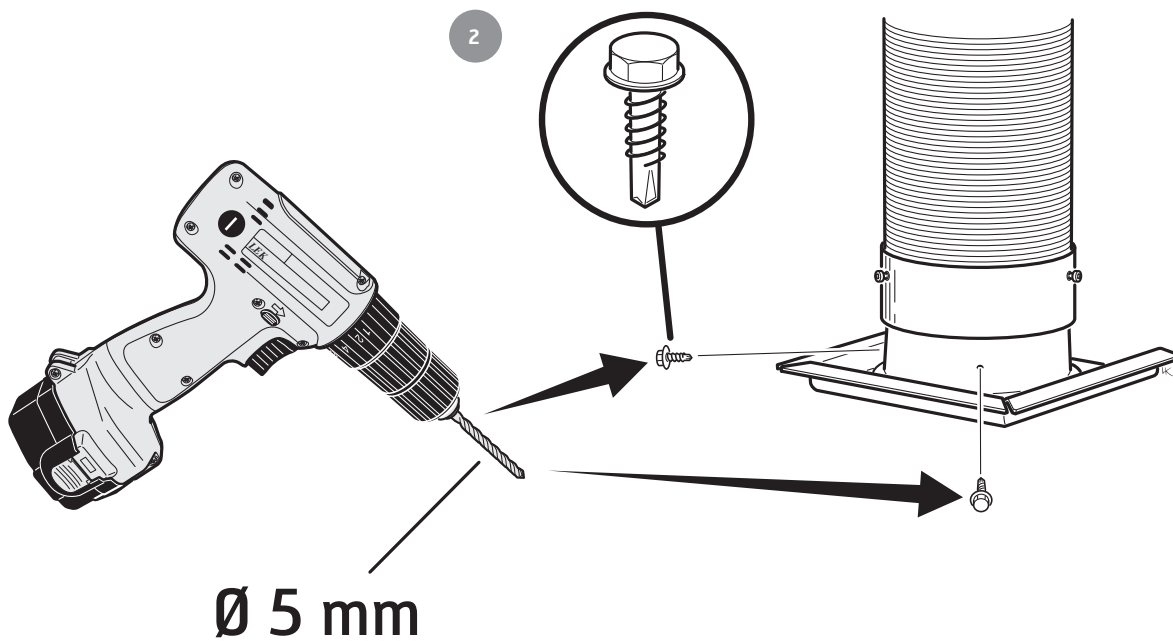
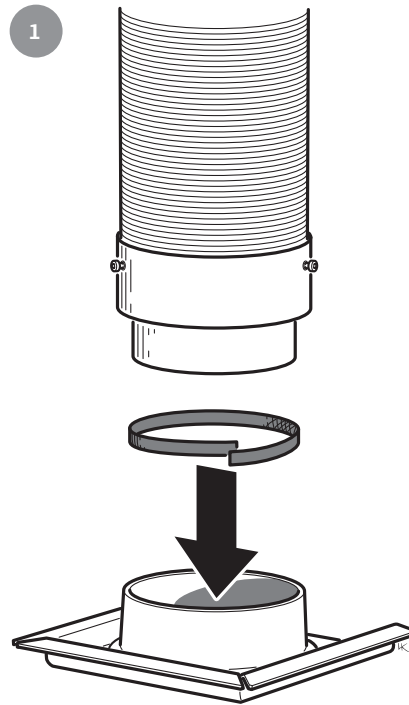




### Connection to existing masonry chimney

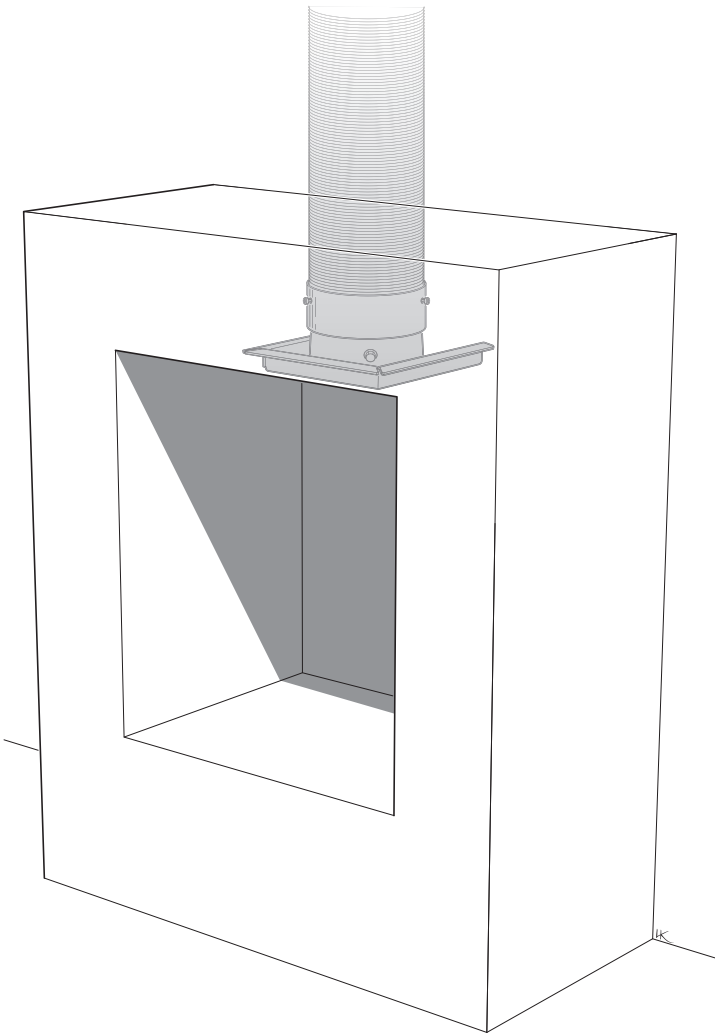
A flexible hose is recommended for ease of installation (sold as an accessory). Secure the sleeve in the hose. Connect and seal carefully between the hose and the chimney according to the separate instruction.

The insert can also be connected with fixed pipe inserted up the chimney.

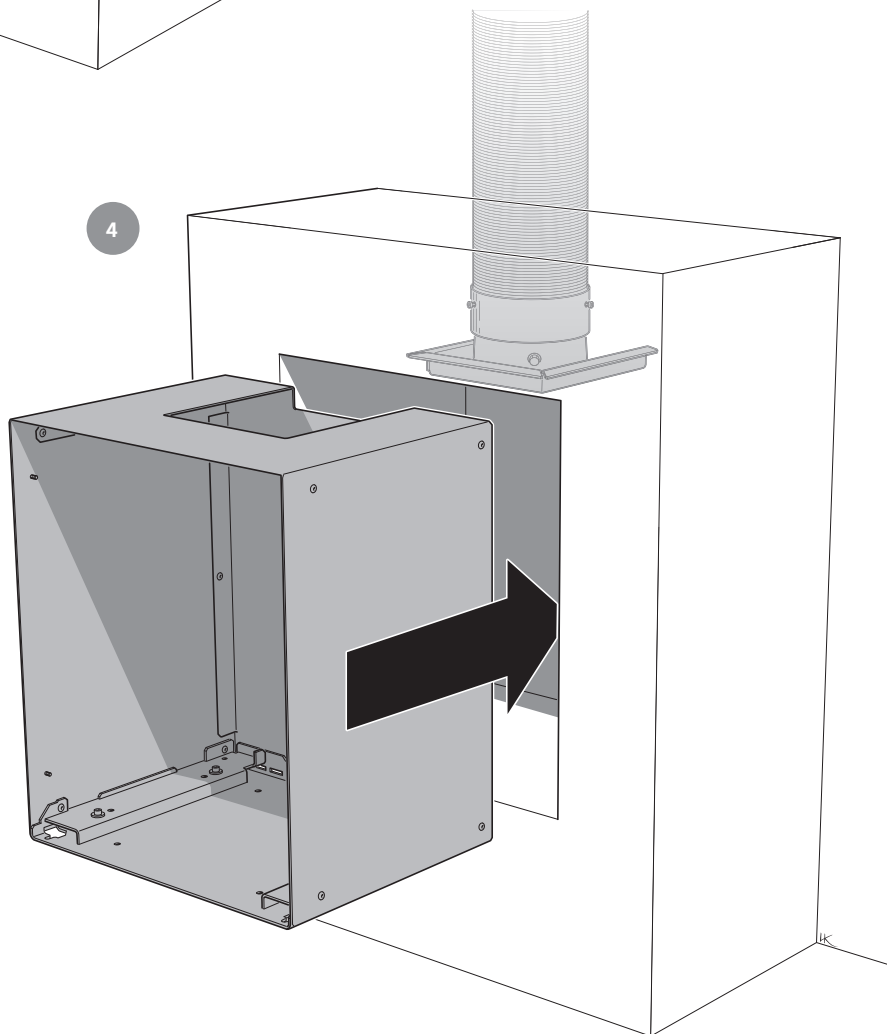




3

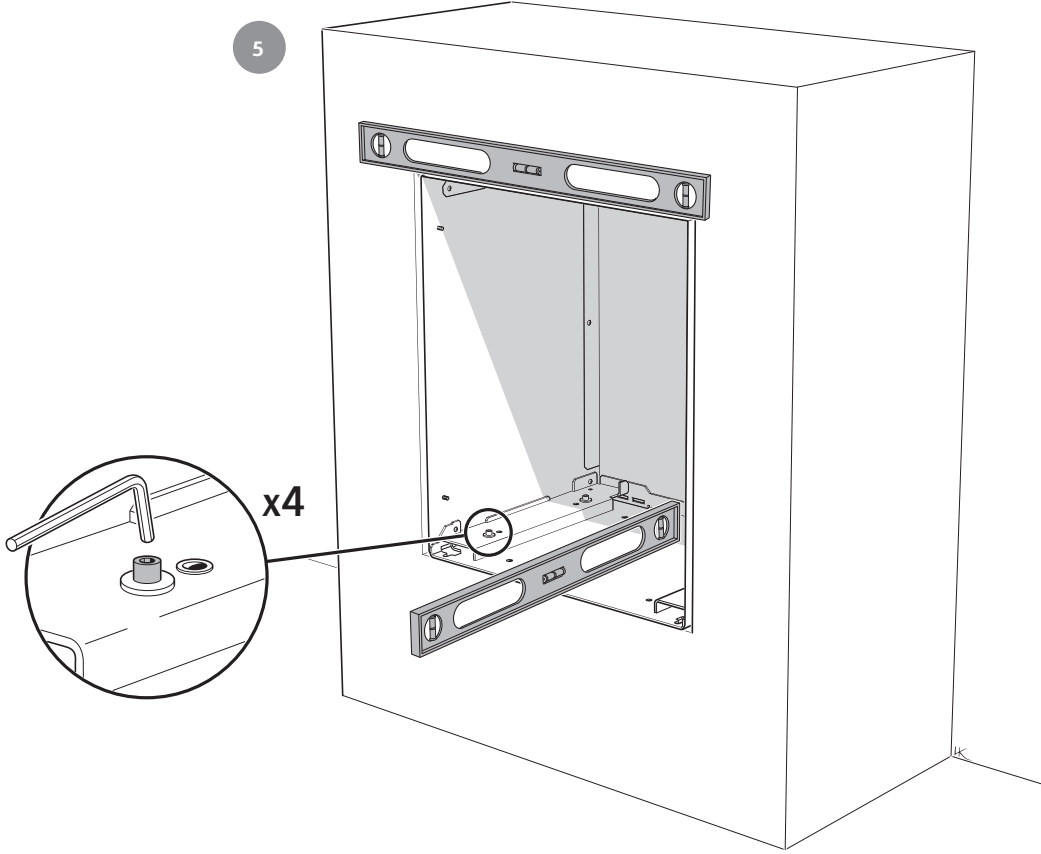


4

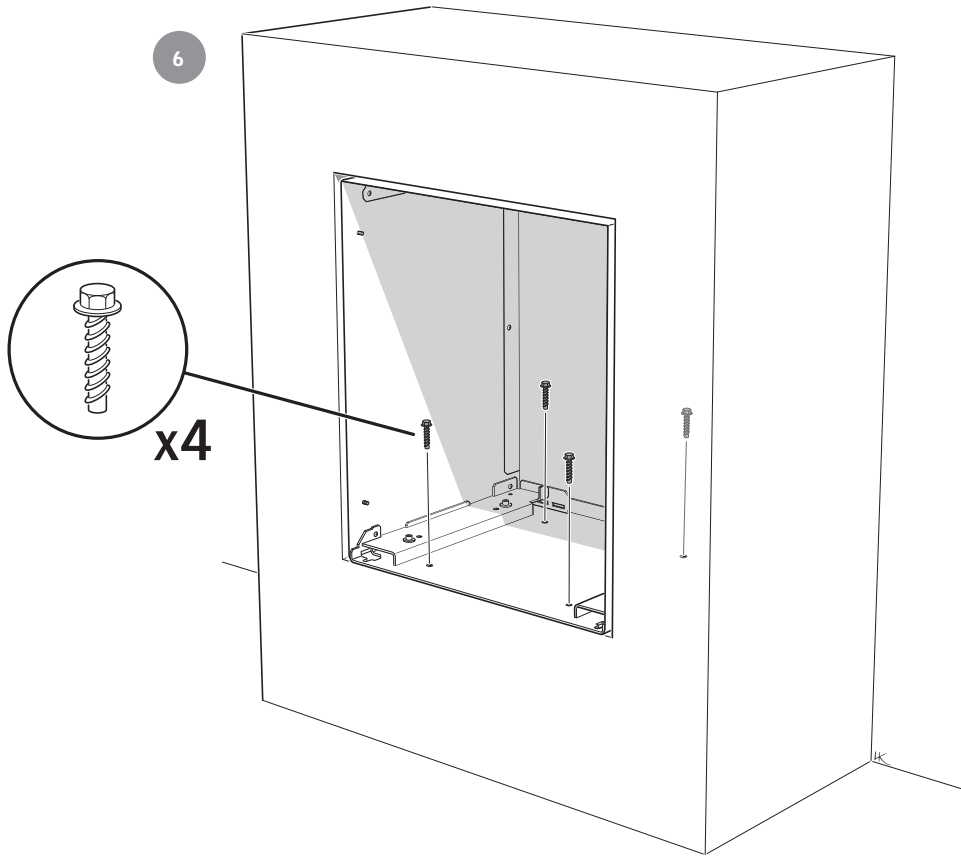


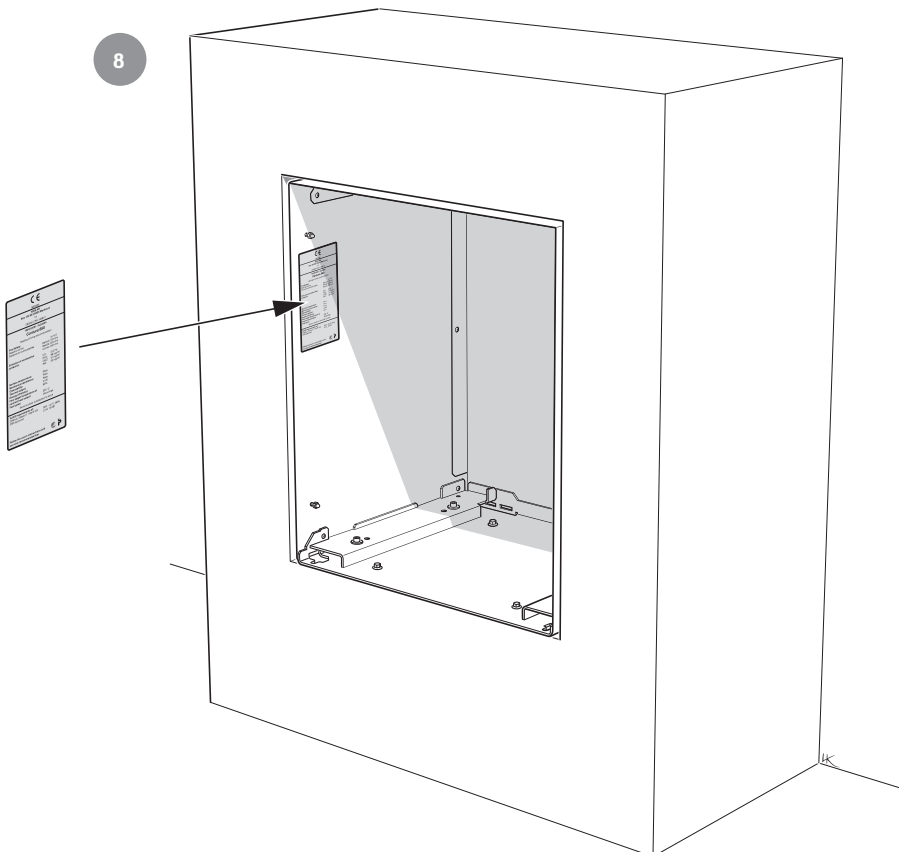
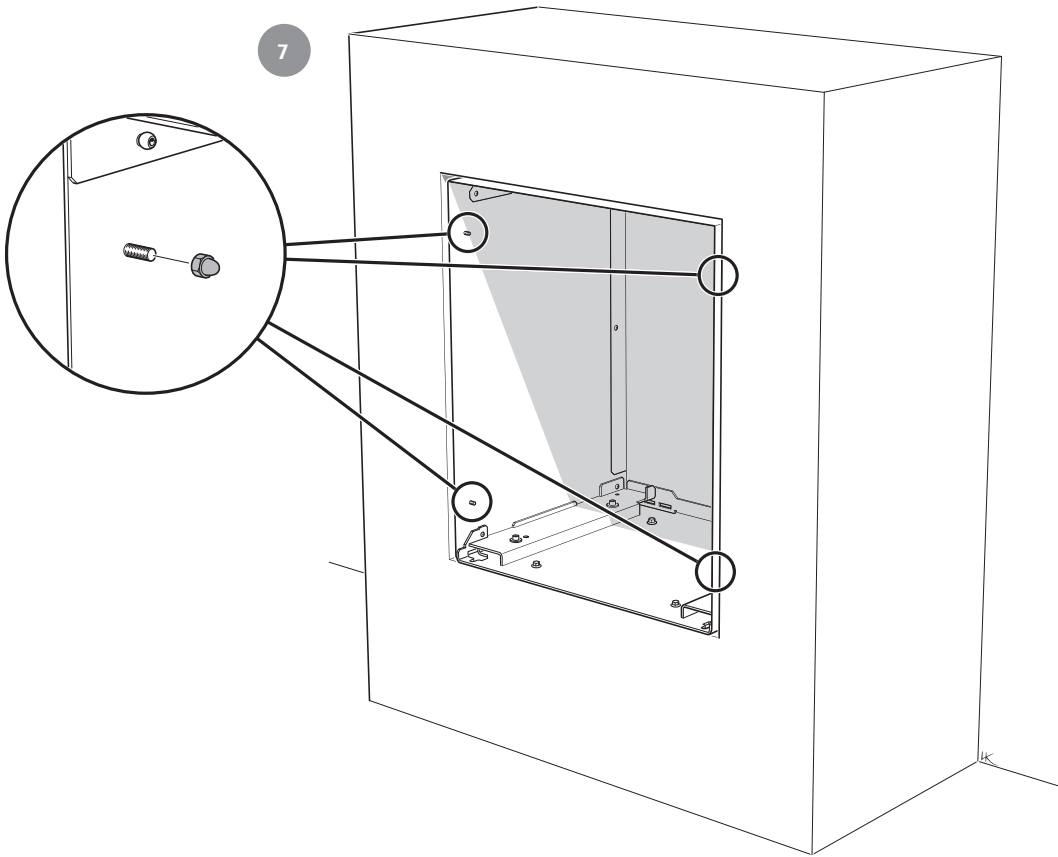


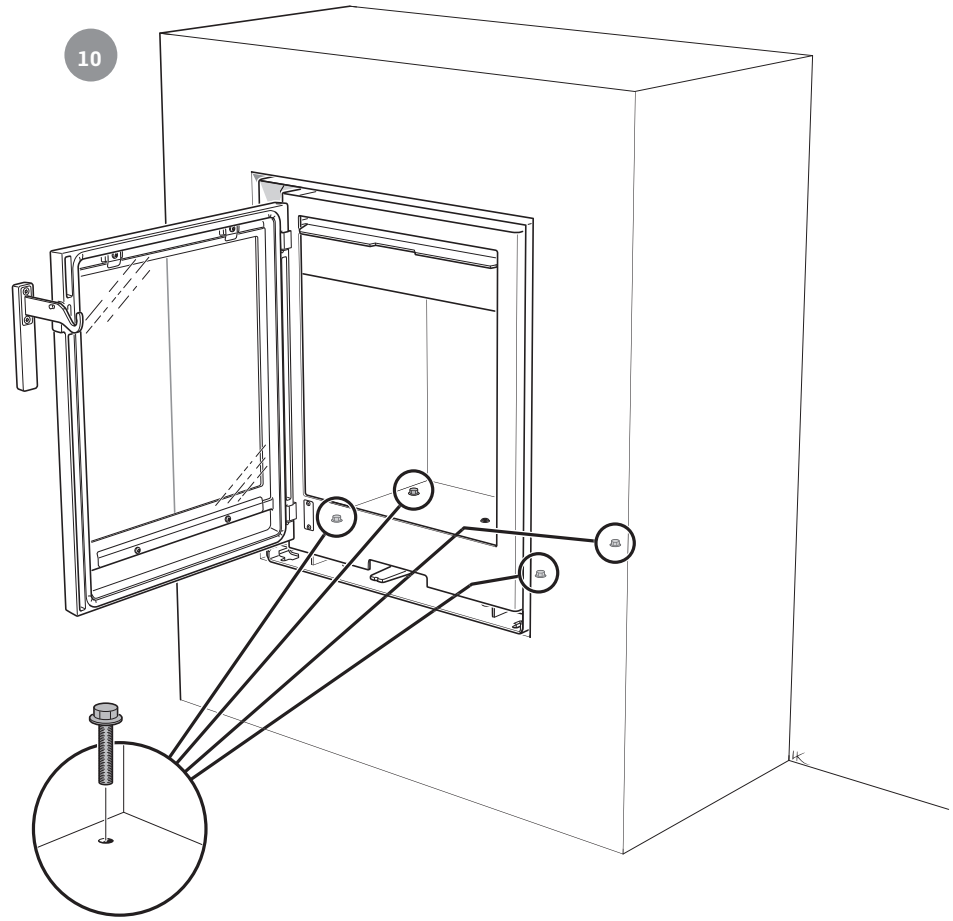
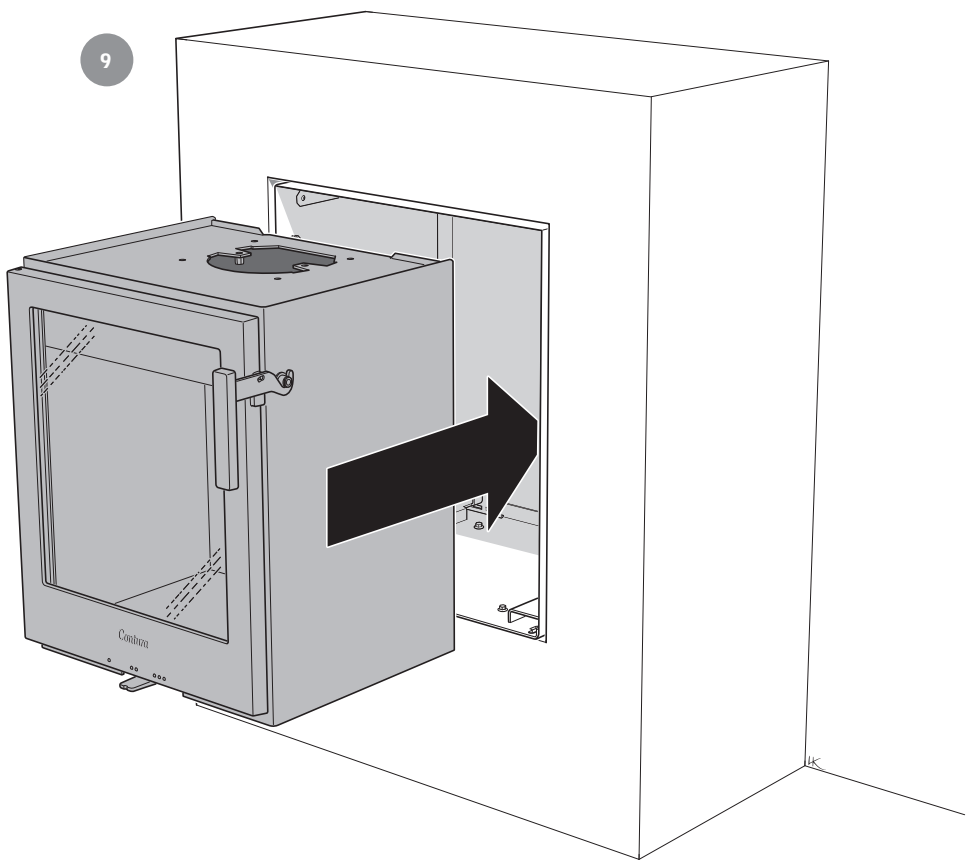
5



6

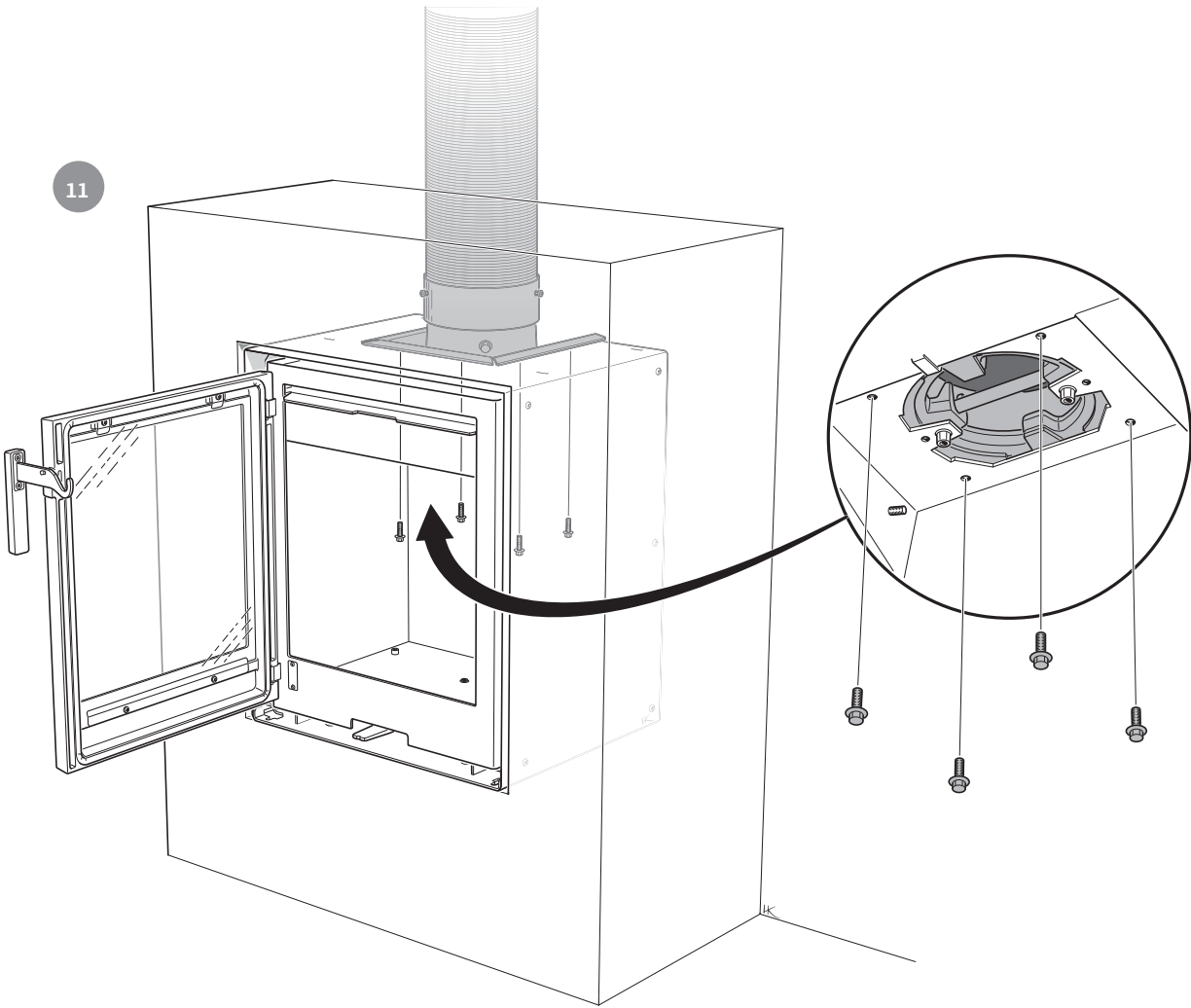




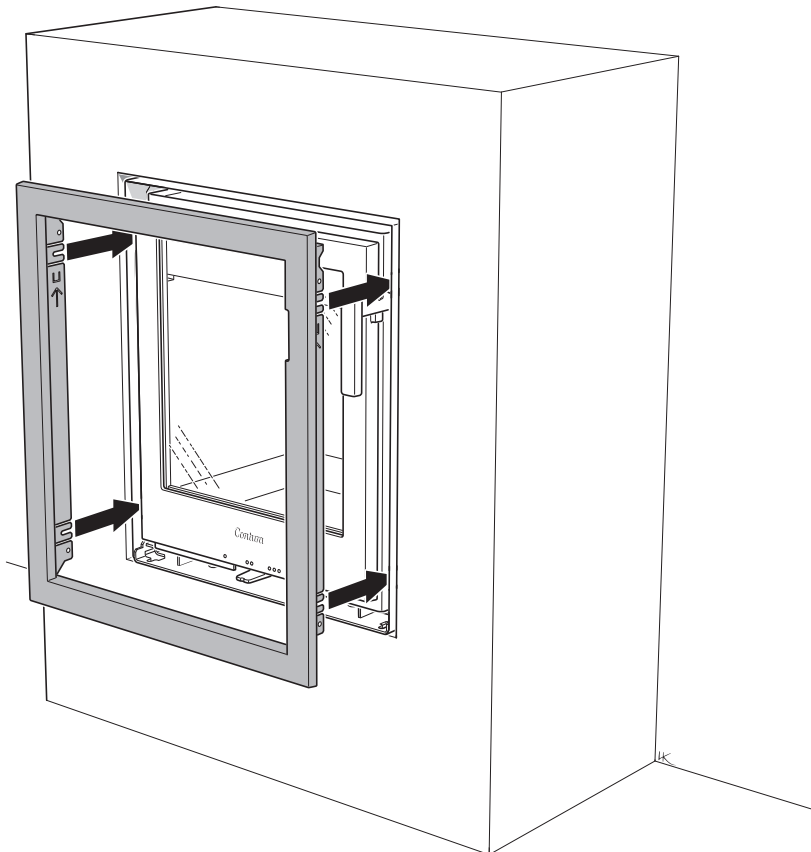


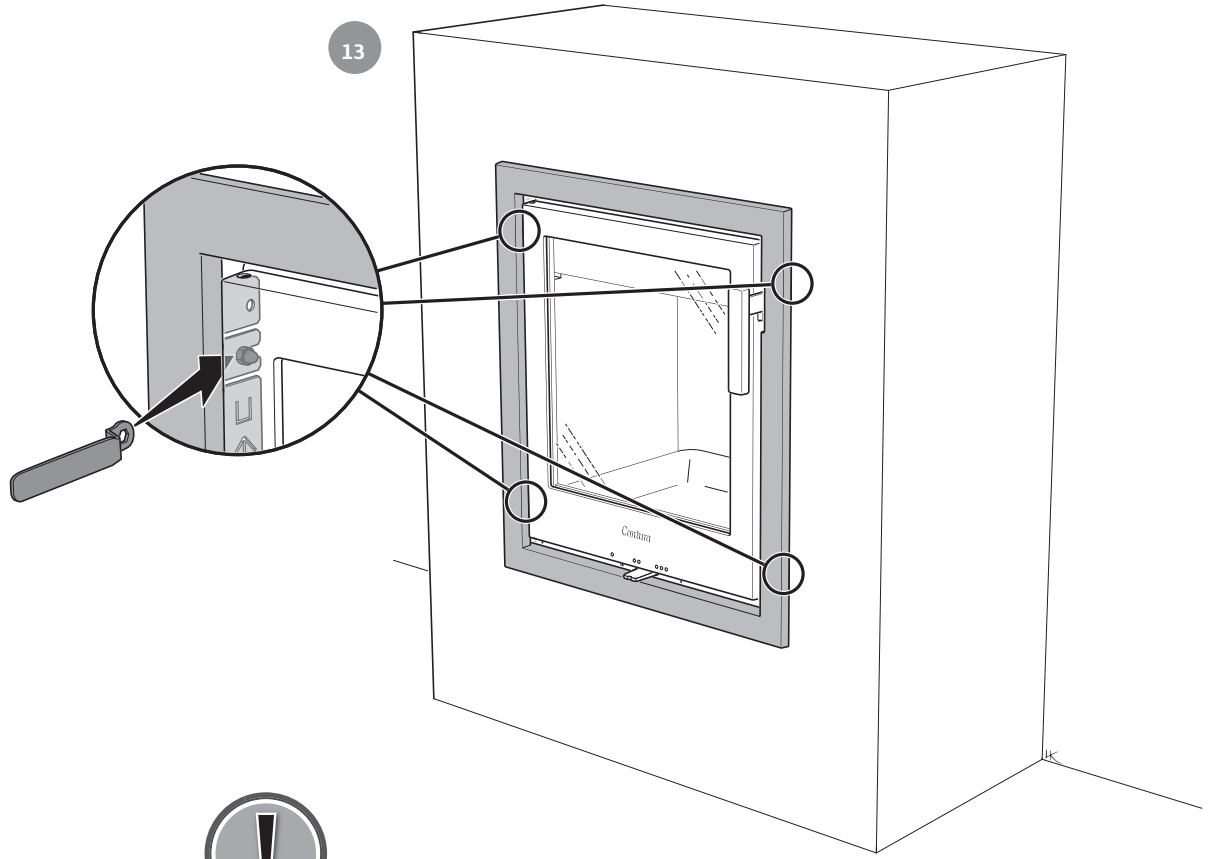


11



12





Reinstall the internal components in reverse order.









