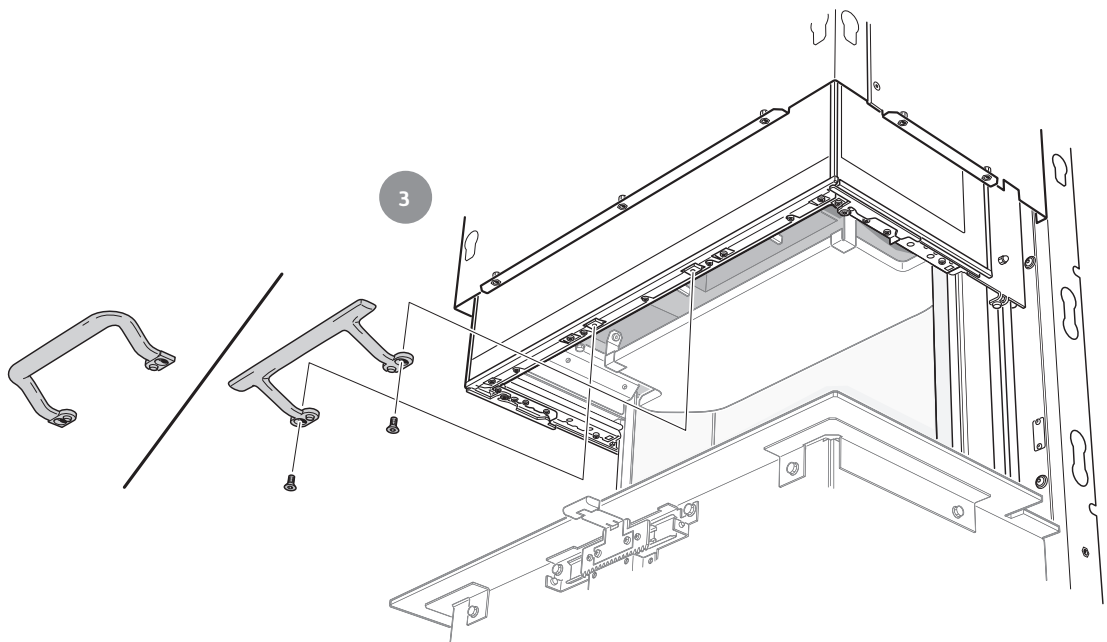
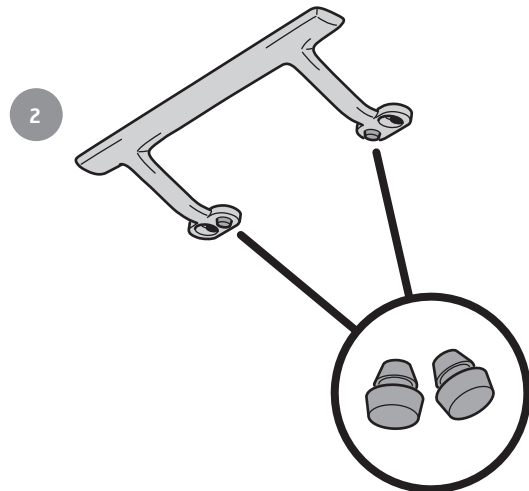
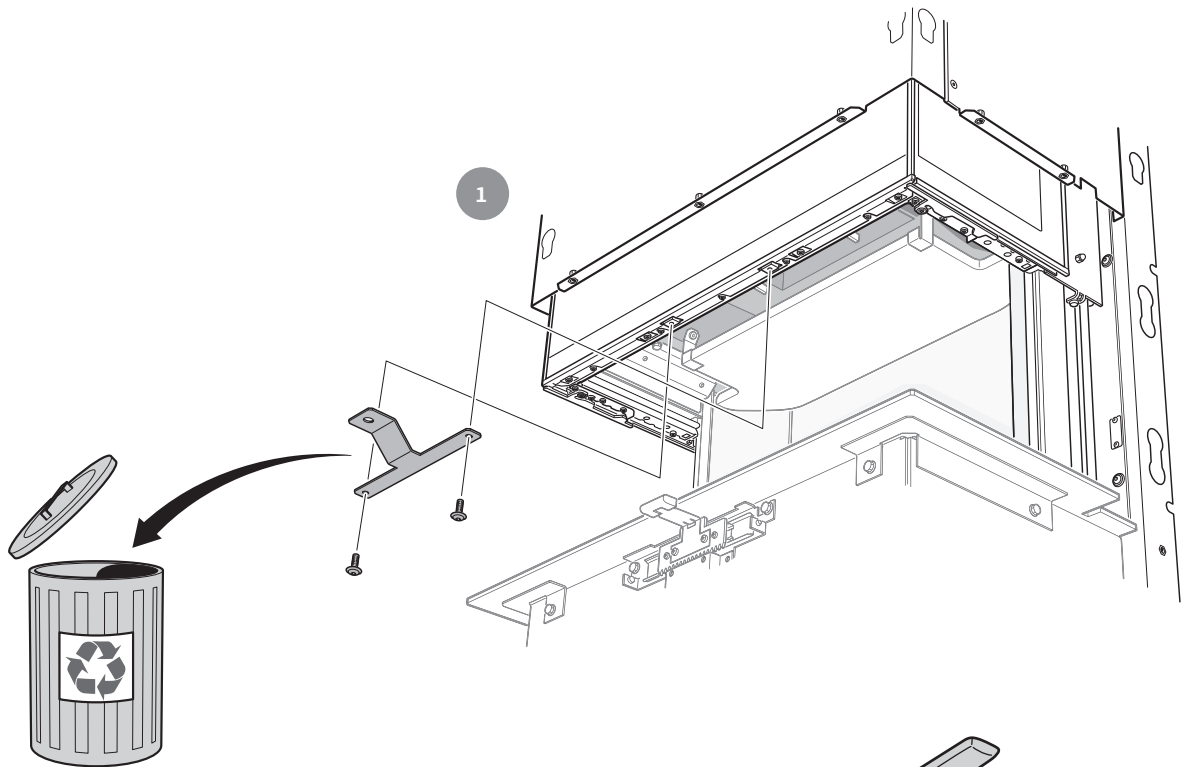
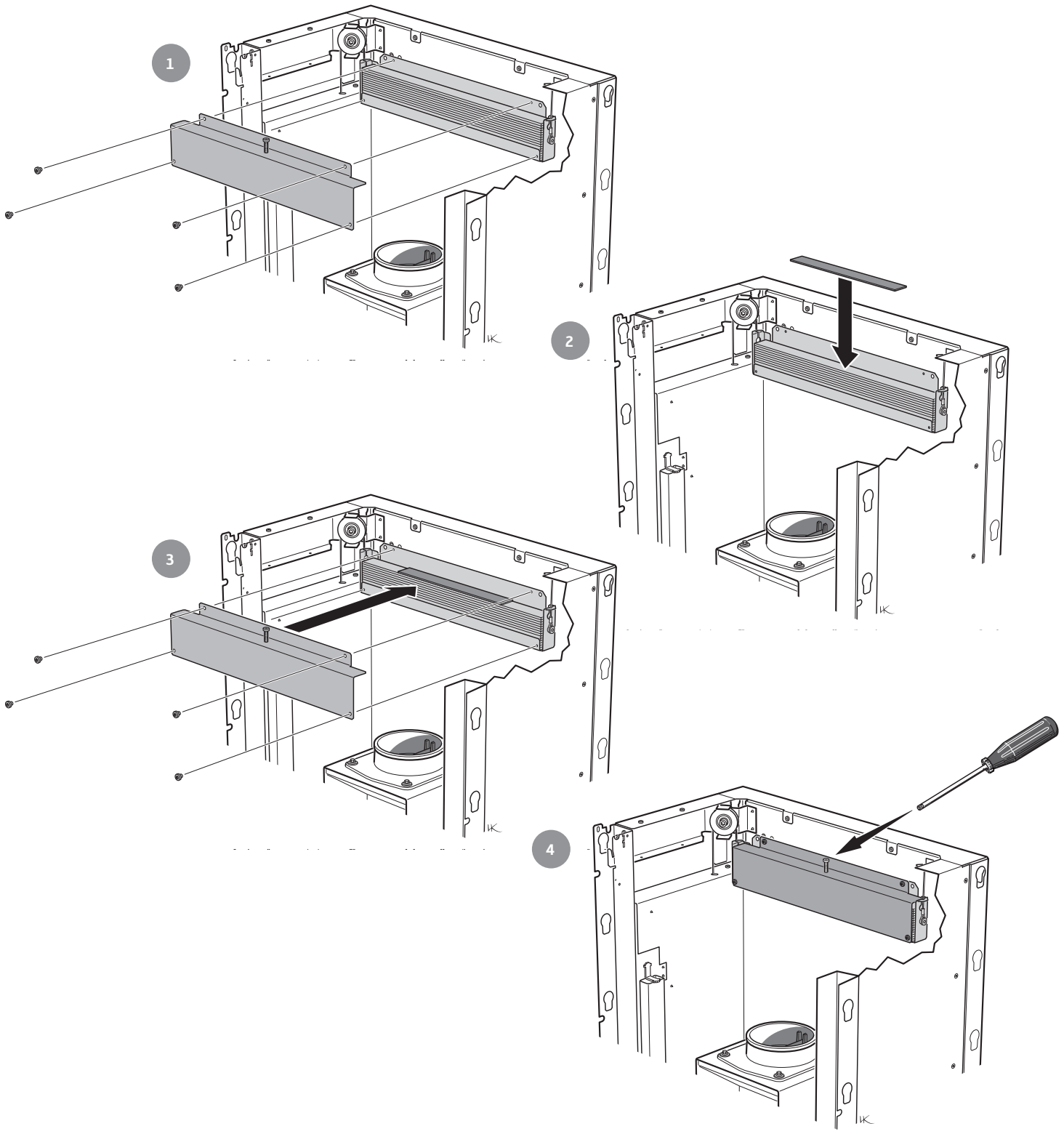


Contura

i40/ i50/ i60

811502 MAV Byta handtag Ci40/i50/i60-1
2023-01-31





EU REACH Disclosure

Article 33 of REACH (Registration, Evaluation, Authorization and Restriction of Chemicals, EC 1907/2006) requires manufacturers to inform their customers if an article contains more than 0.1% (by weight per article) of any substance on the SVHC Candidate list for Authorization.

To the best of our knowledge, based on information received from our supply chain and our own product data, this product contains the following substances;

Substance	CAS number	Articles that may contain the SVHC
Lead ¹	7439-92-1	As alloying element in brass

¹ Application exempted from EU RoHS Directive 2011/65/EU

The SVHC used in our products do not pose a safety risk to customers under normal use conditions.

For more information and SCIP ID's, please contact chemicals@nibe.se
This information was last updated 2022-05-09.