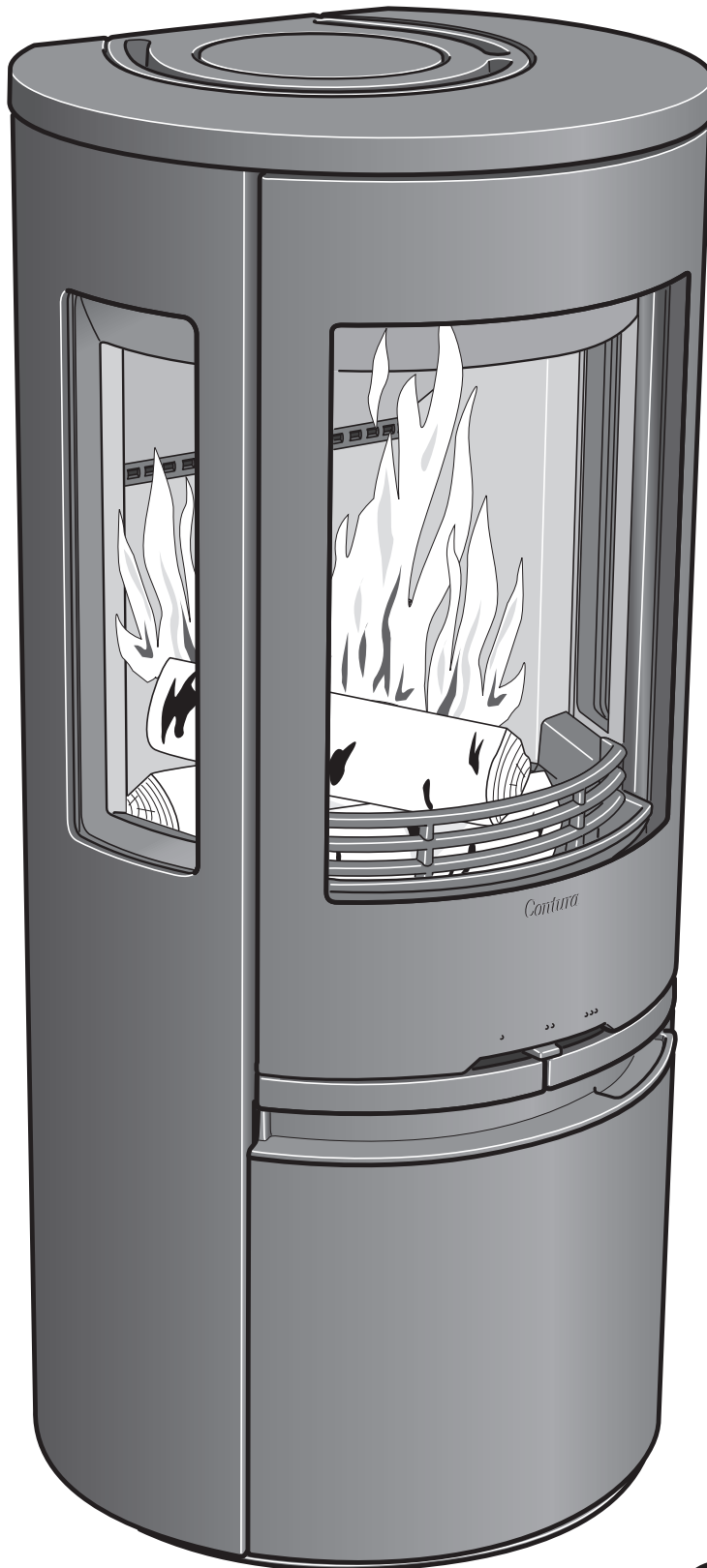
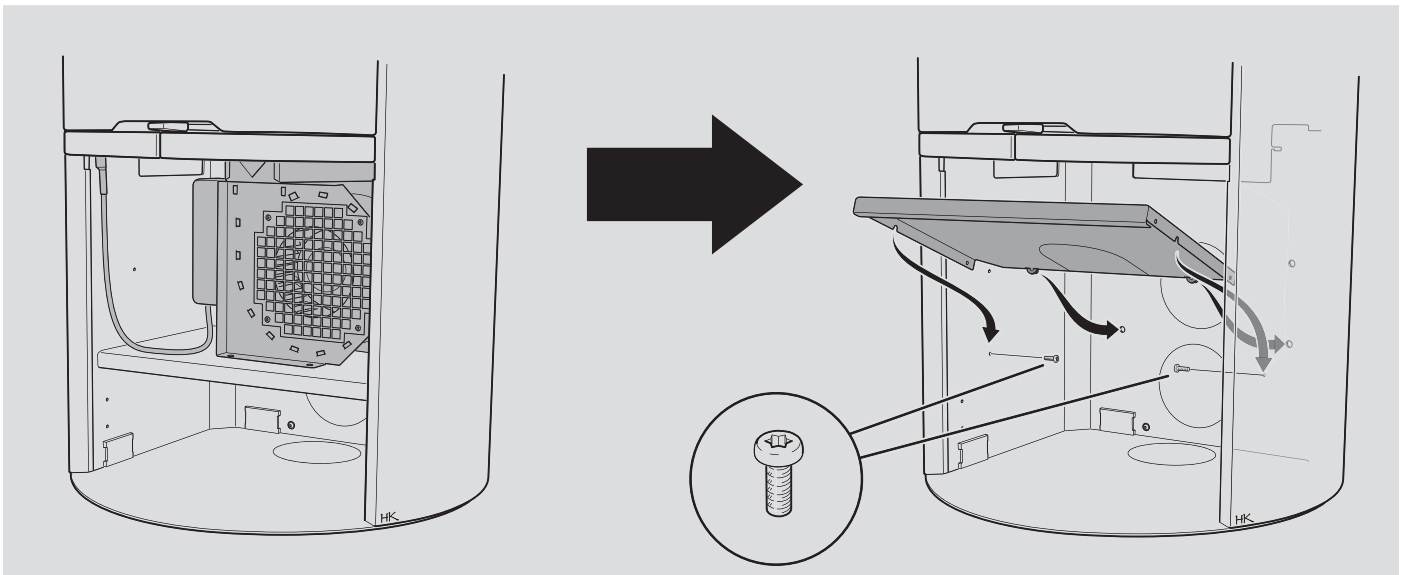
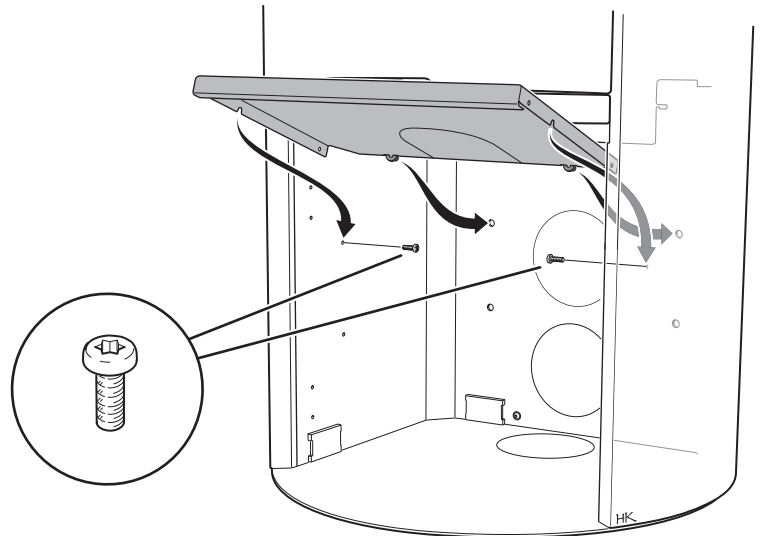
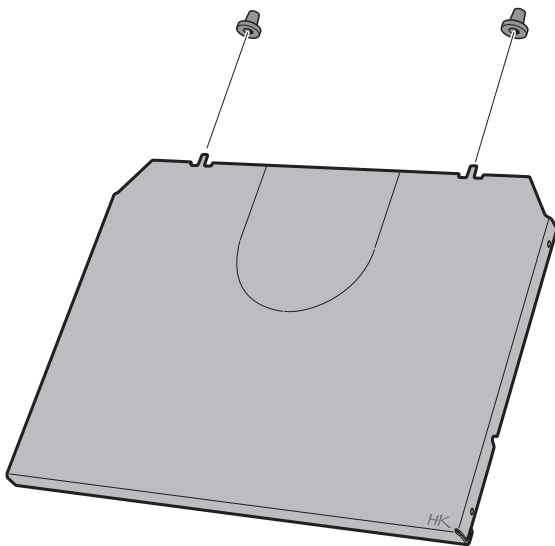
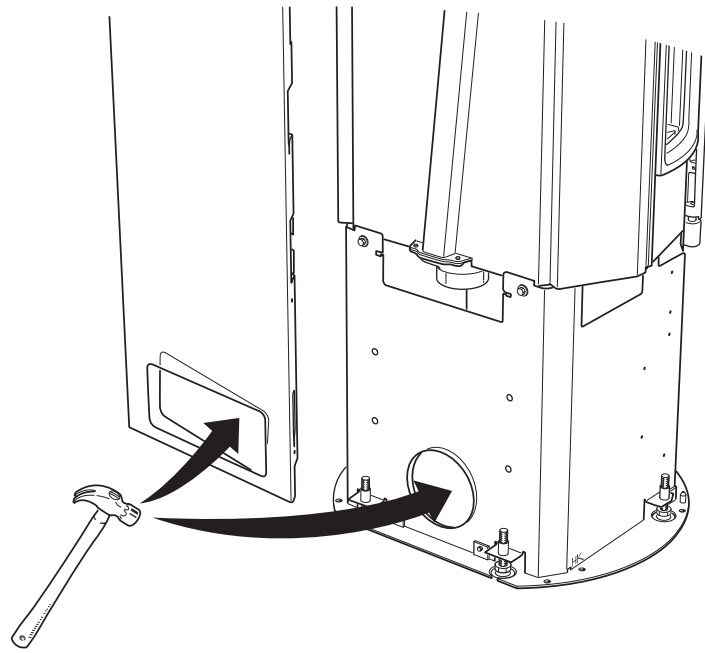


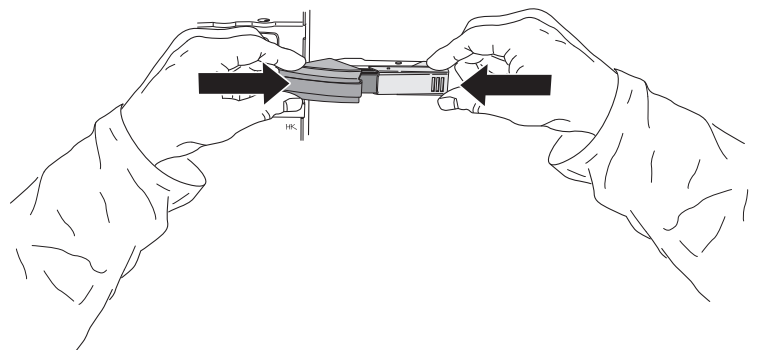
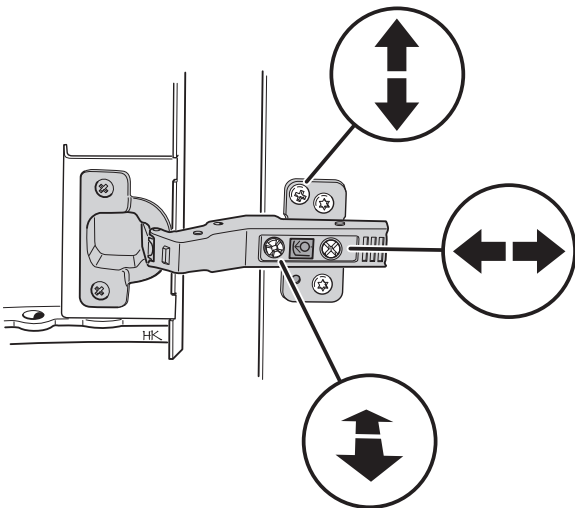
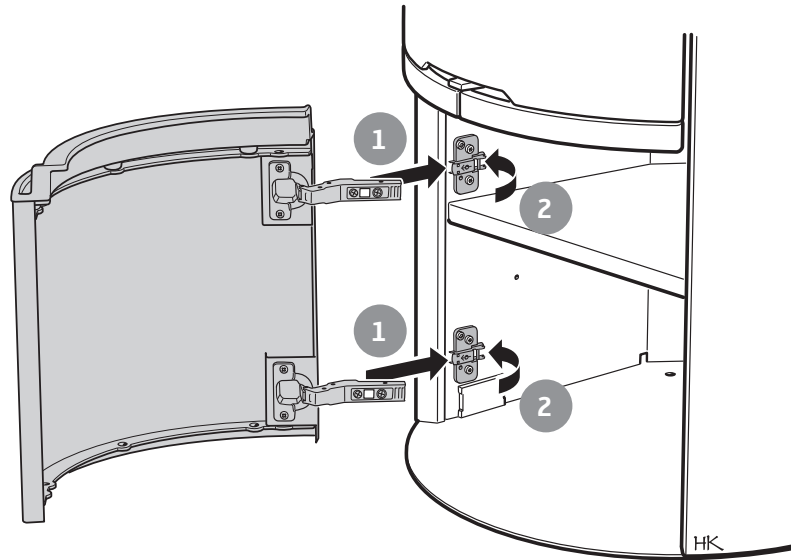
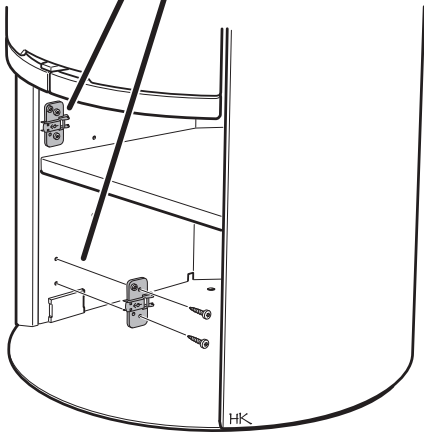
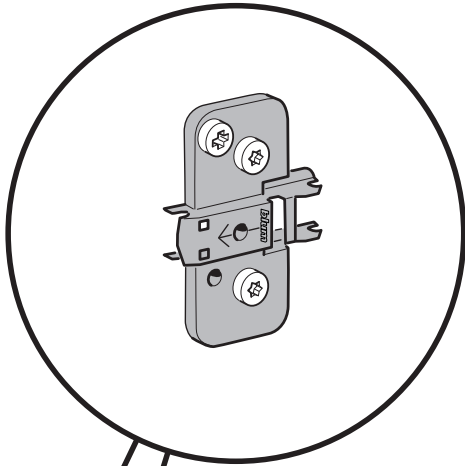
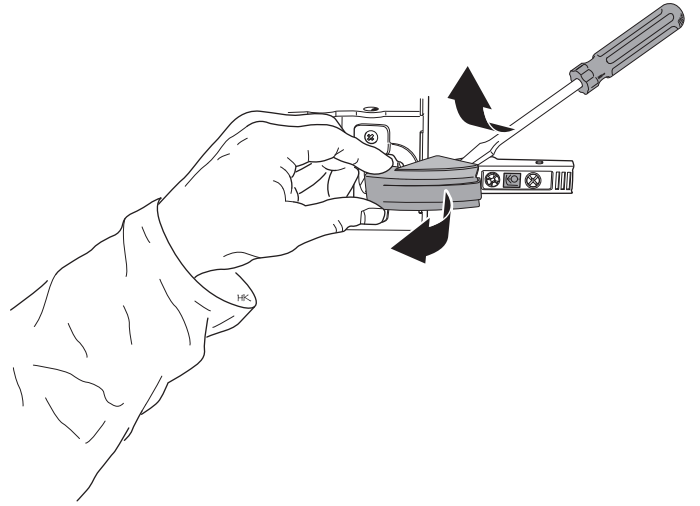
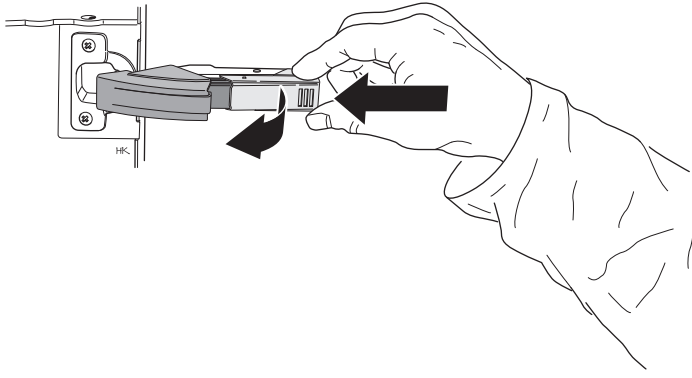
Installation instruction
Soft-close door



C500 Style
C600 Style

Contura





Contura

NIBE AB · Box 134 · SE-285 23 Markaryd · Sweden
www.contura.eu

Contura reserves the right to change colours, materials, dimensions and models at any time without special notice. Your dealer can give you the most up to date information. Stoves shown in brochures may have optional extras.