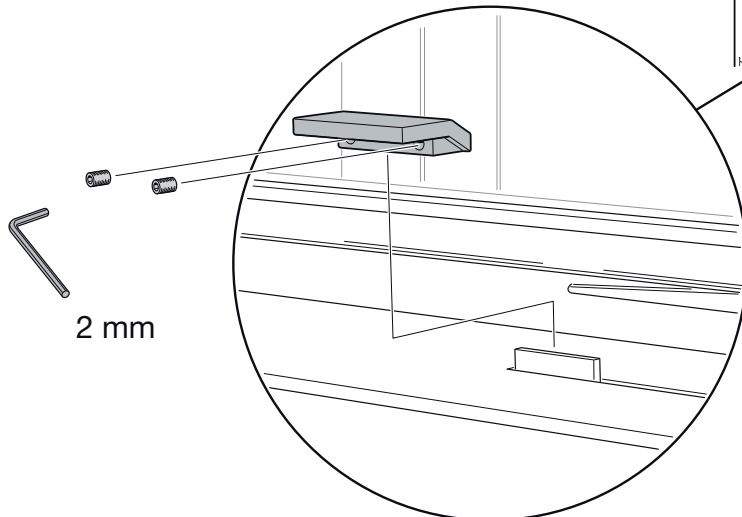
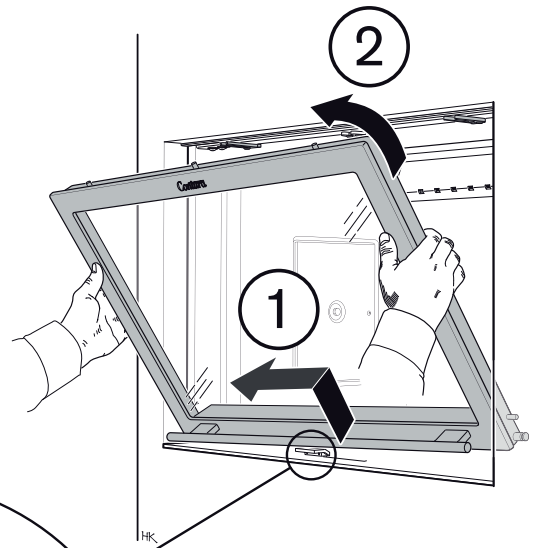
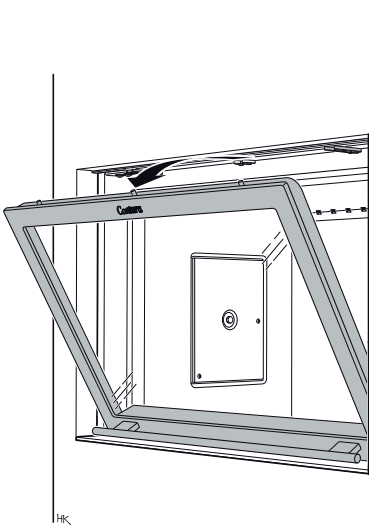
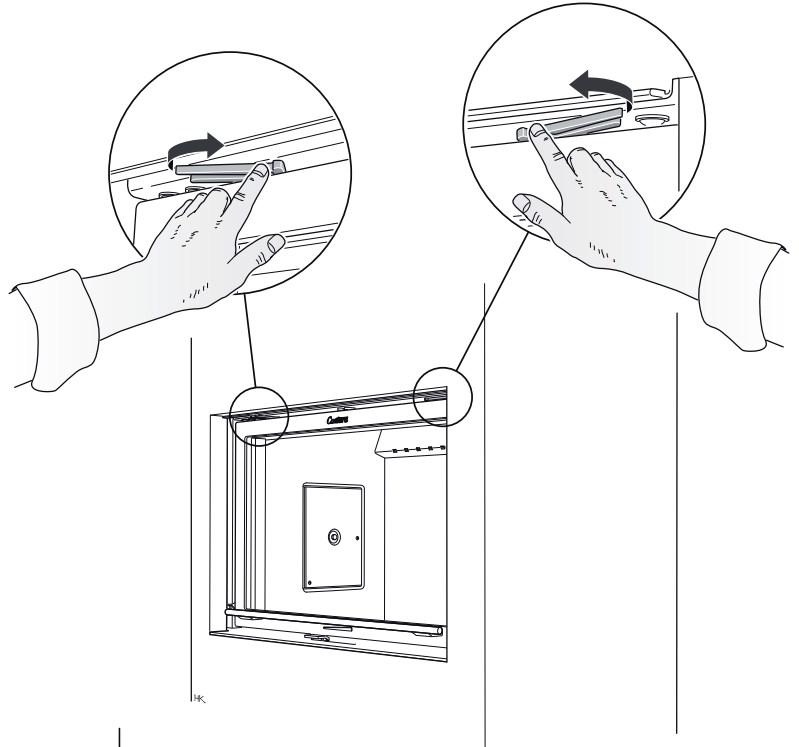


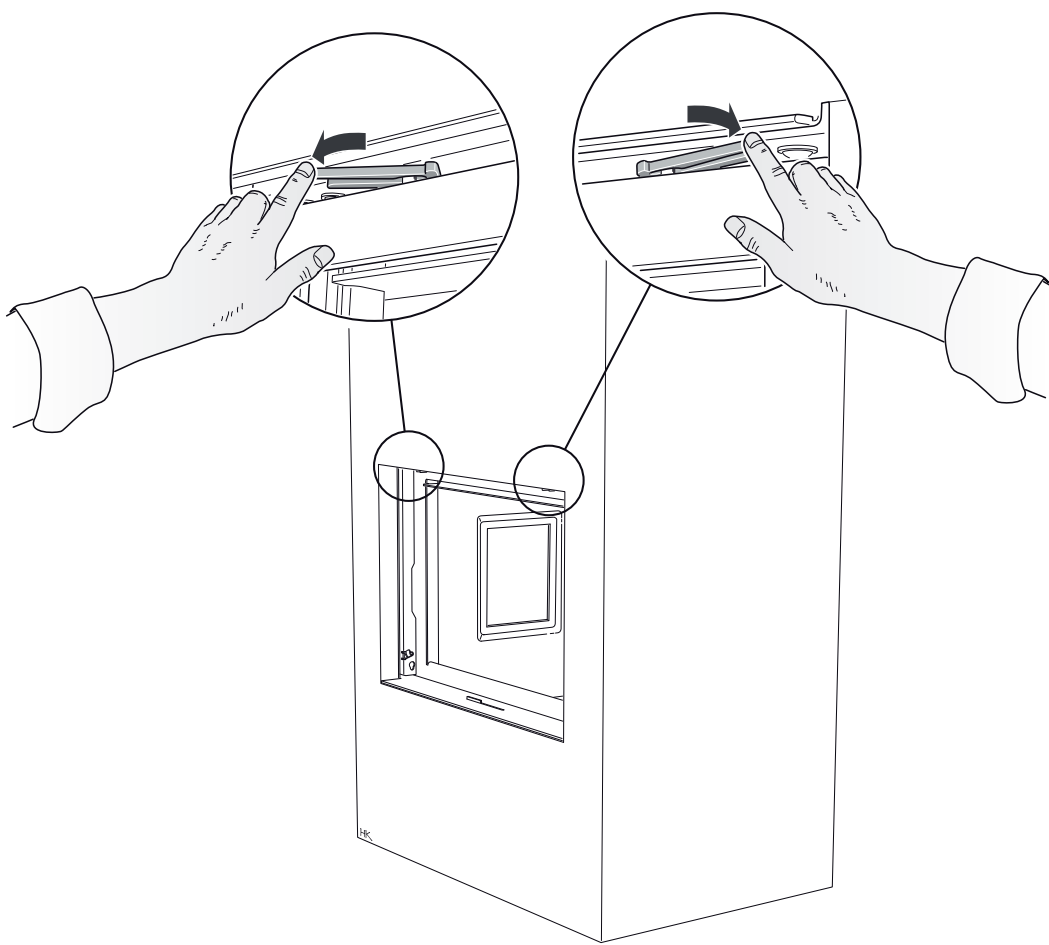
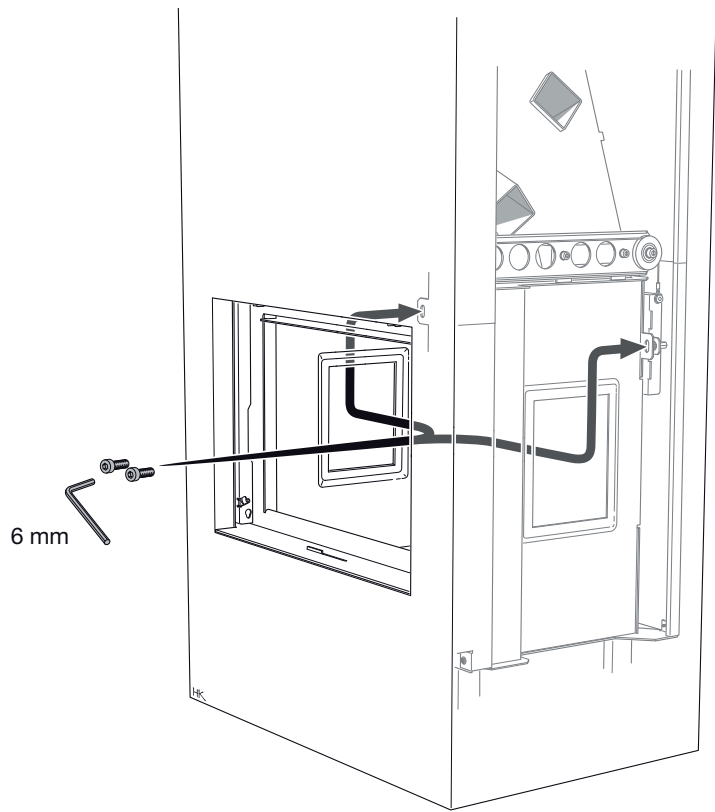
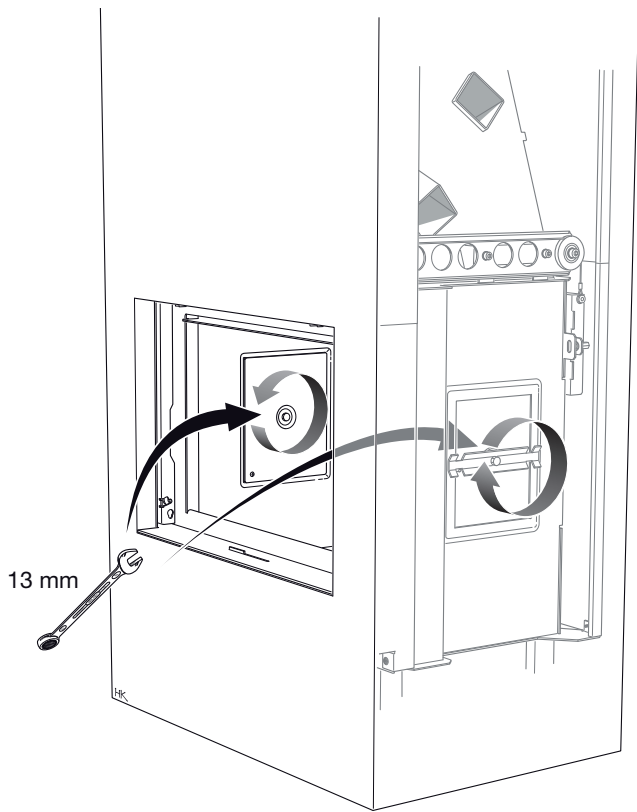
Service Manual

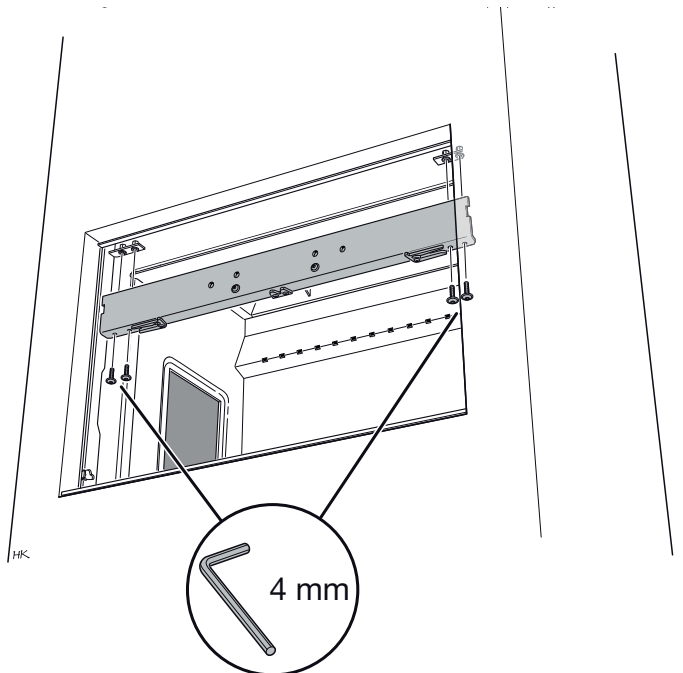
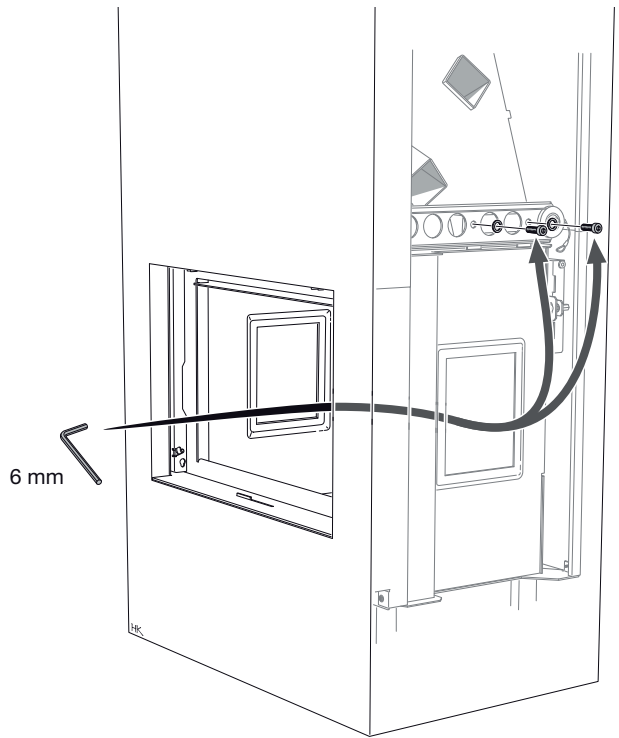
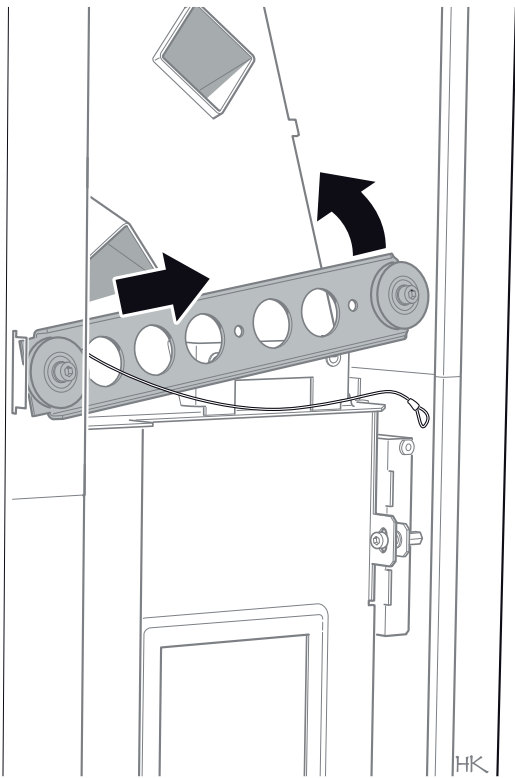
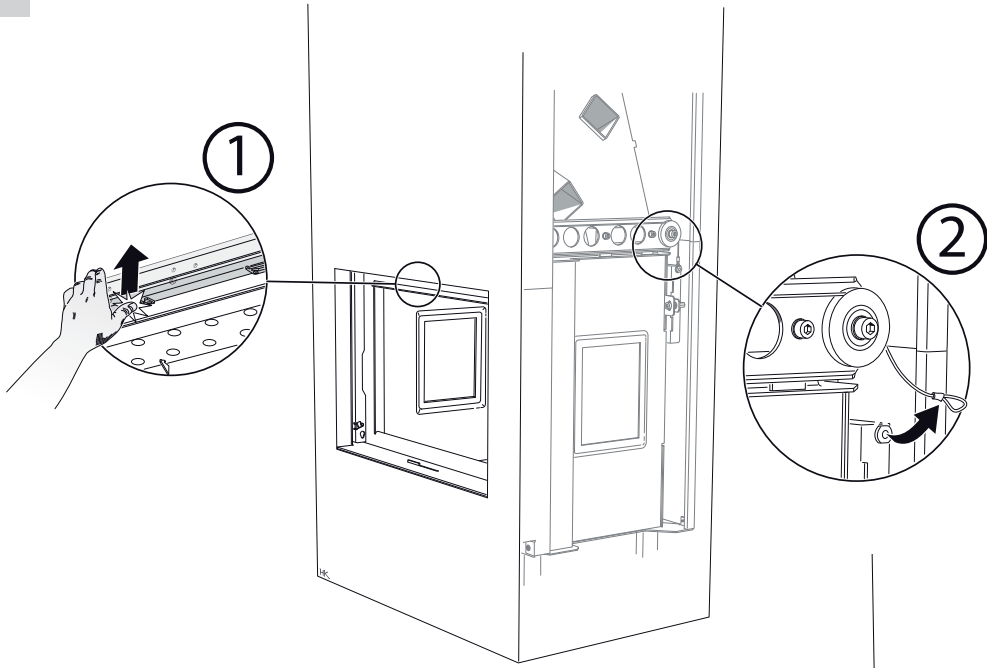


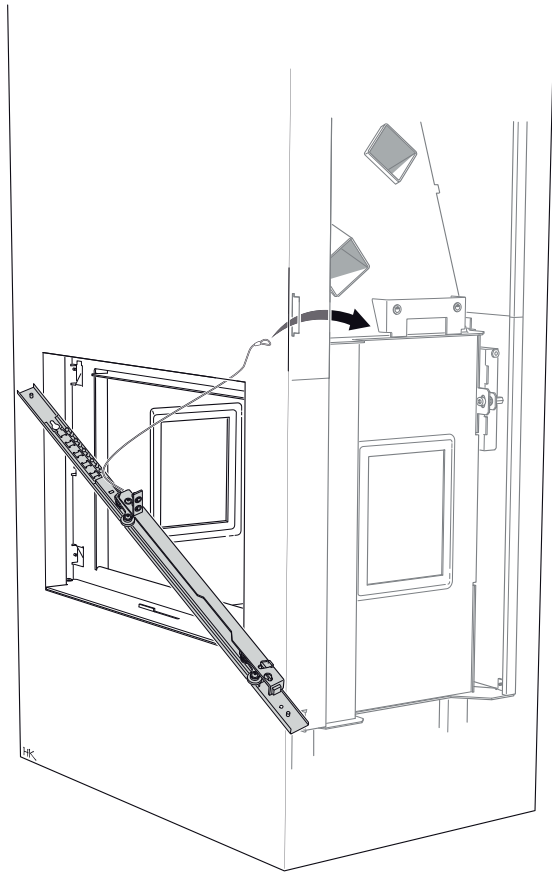
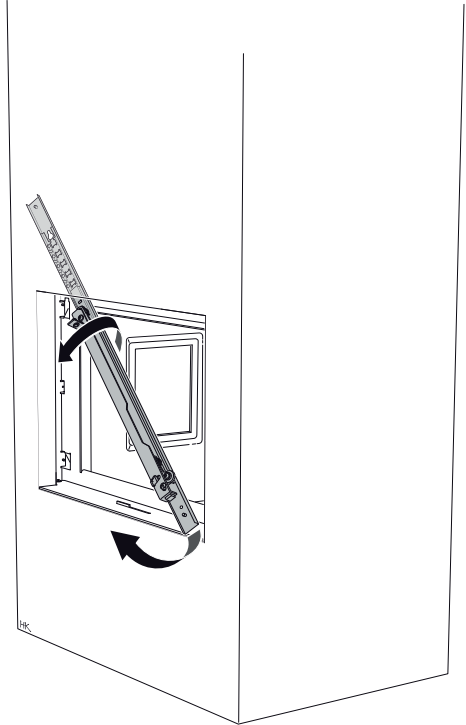
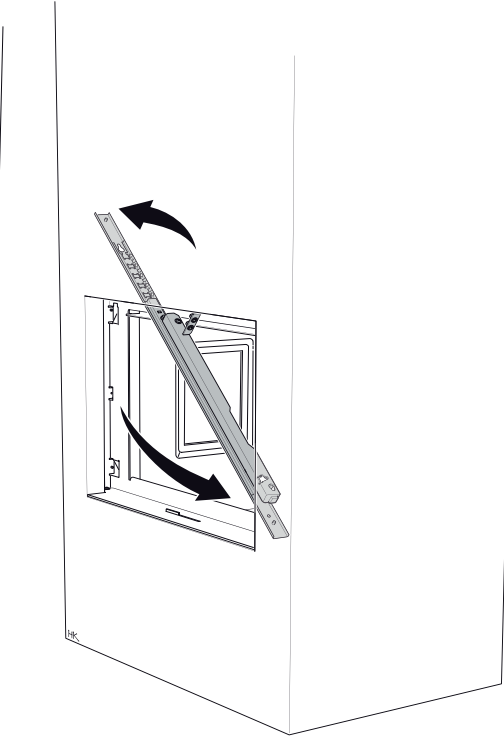
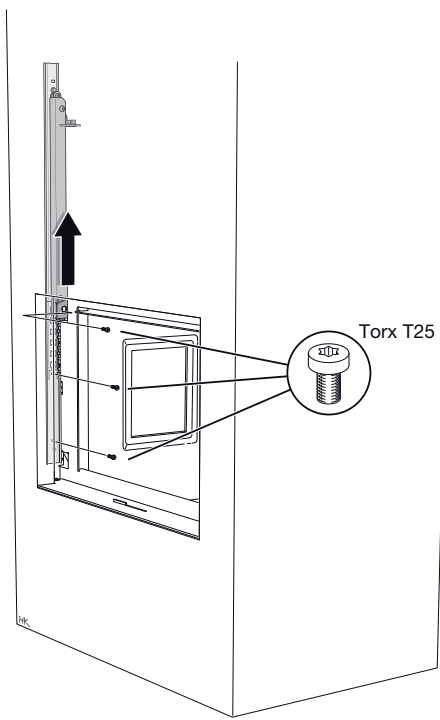
C i10
C i20

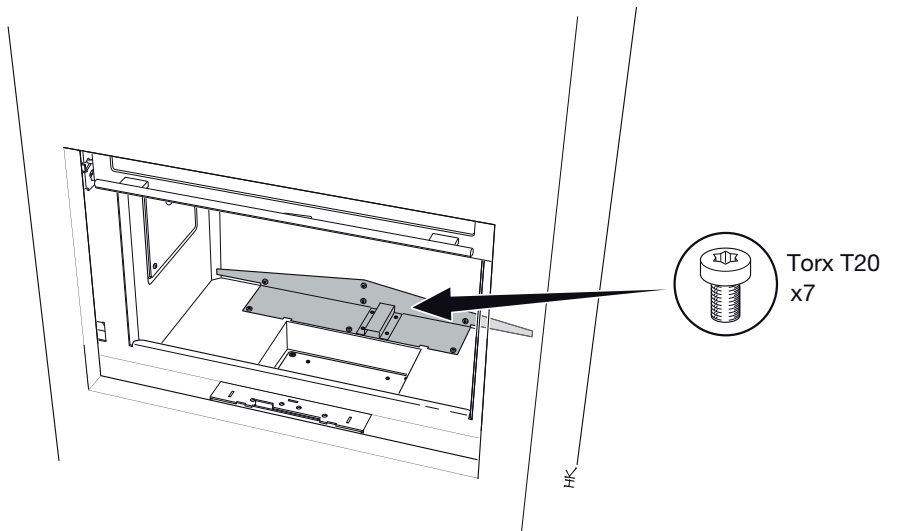
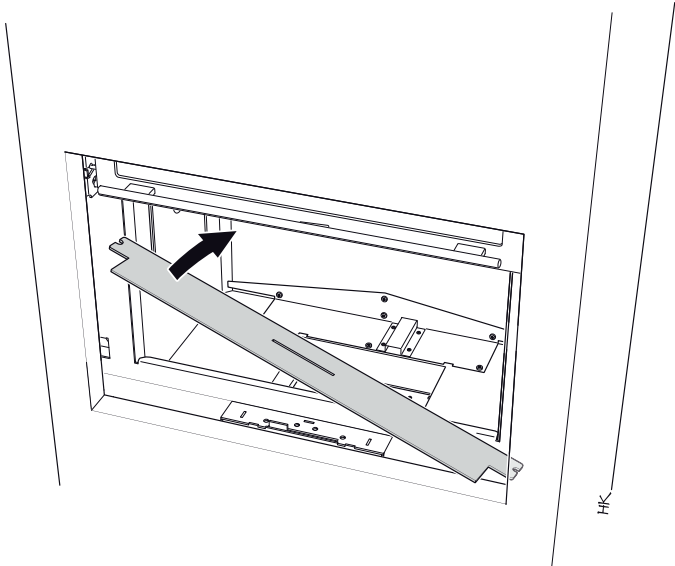
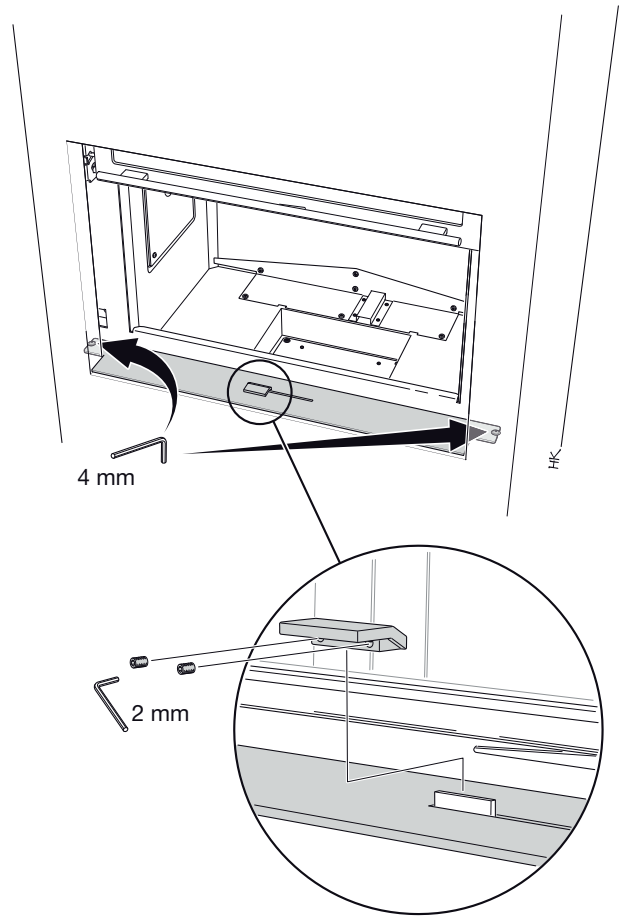
Contura

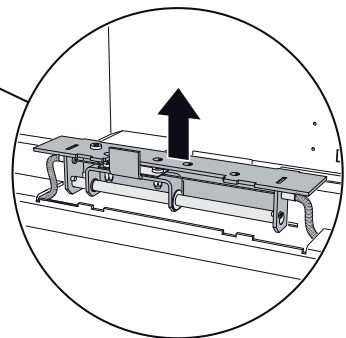
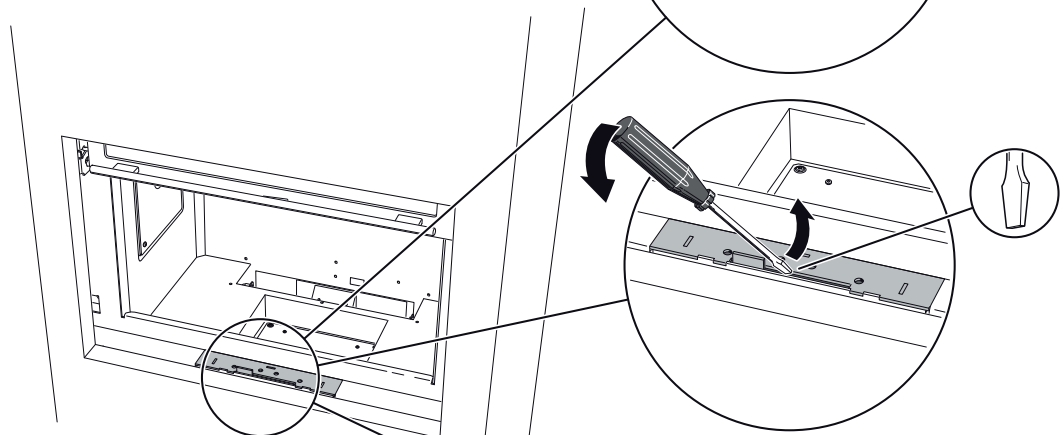
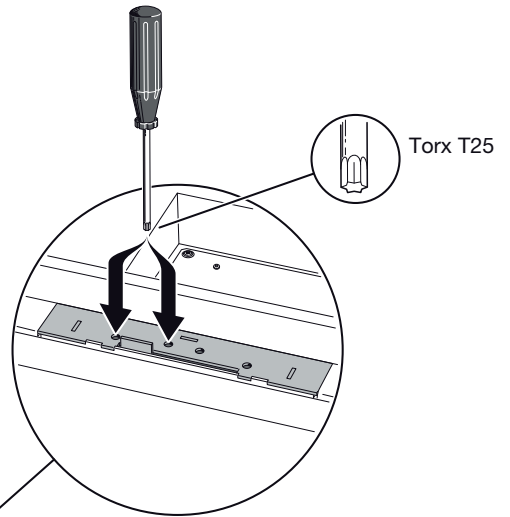
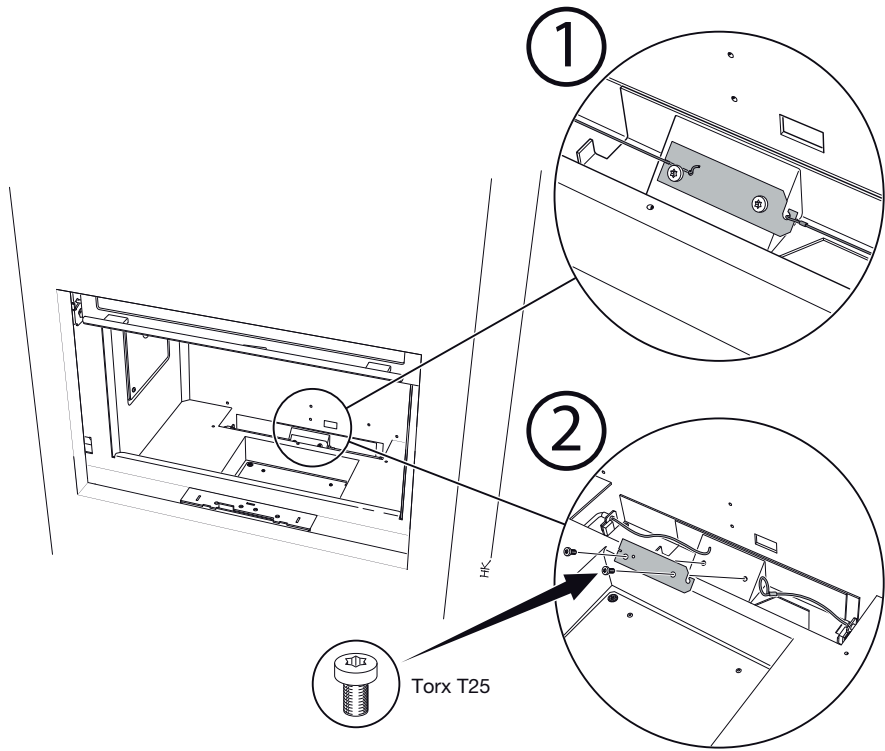


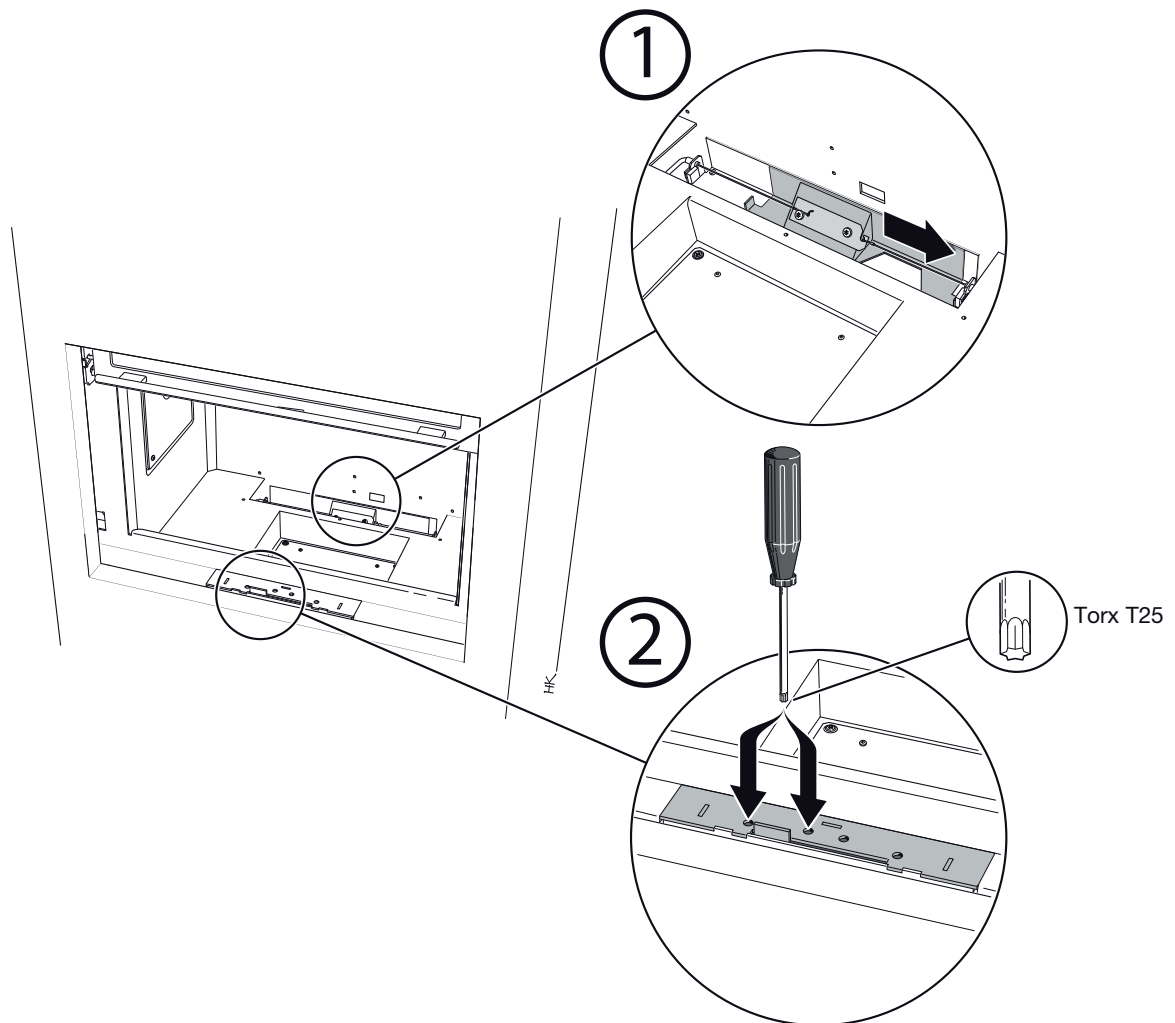












Contura

NIBE AB · Box 134 · SE-285 23 Markaryd · Sweden
www.contura.eu

Contura reserves the right to change dimensions and procedures described in these instructions at any time without special notice. The current edition can be downloaded from www.contura.eu